



US00D616045S

(12) **United States Design Patent**
Tervo

(10) **Patent No.:** **US D616,045 S**

(45) **Date of Patent:** **** May 18, 2010**

(54) **FEMALE TOY BUILDING BLOCK**
(76) **Inventor:** **Calif Kip Tervo**, 6387 Caminito Lazaro,
San Diego, CA (US) 92111

(**) **Term:** **14 Years**

(21) **Appl. No.:** **29/315,752**

(22) **Filed:** **Jul. 21, 2009**

(51) **LOC (9) Cl.** **21-01**

(52) **U.S. Cl.** **D21/499; D21/501**

(58) **Field of Classification Search** D21/372,
D21/373, 386, 484, 485, 486, 489, 491, 494,
D21/499, 500, 503, 504, 516; D25/113,
D25/114, 115, 116, 118; 446/69, 85, 102-128;
434/208, 258, 259, 319, 403; 273/153, 156,
273/160; D9/560, 572, 575

See application file for complete search history.

(56) **References Cited**

U.S. PATENT DOCUMENTS

3,367,063	A	*	2/1968	Bondesen et al.	446/119
3,554,384	A	*	1/1971	DeNatale	D21/499
D231,787	S	*	6/1974	Burnley	D21/499
D283,635	S	*	4/1986	Kato et al.	D21/499
D334,815	S	*	4/1993	Bunger	D25/113
D342,553	S	*	12/1993	Bach	D21/499
D346,627	S	*	5/1994	Bach	D21/501
D367,403	S	*	2/1996	Rivlin et al.	D21/503
D403,028	S	*	12/1998	Barton et al.	D21/486
D422,036	S	*	3/2000	Laserna Fernandez	D21/499
D435,609	S	*	12/2000	Sorensen	D21/499

D480,437	S	*	10/2003	Stoneberg	D21/499
D482,742	S	*	11/2003	May et al.	D21/499
D497,399	S	*	10/2004	May et al.	D21/499
D509,858	S	*	9/2005	May et al.	D21/499
D531,514	S	*	11/2006	Harris	D21/499
D580,995	S	*	11/2008	Chun	D21/499

* cited by examiner

Primary Examiner—Philip S Hyder
Assistant Examiner—Cynthia M Chin
(74) *Attorney, Agent, or Firm*—Calif Tervo

(57) **CLAIM**

The ornamental design for a female toy building block, as shown and described.

DESCRIPTION

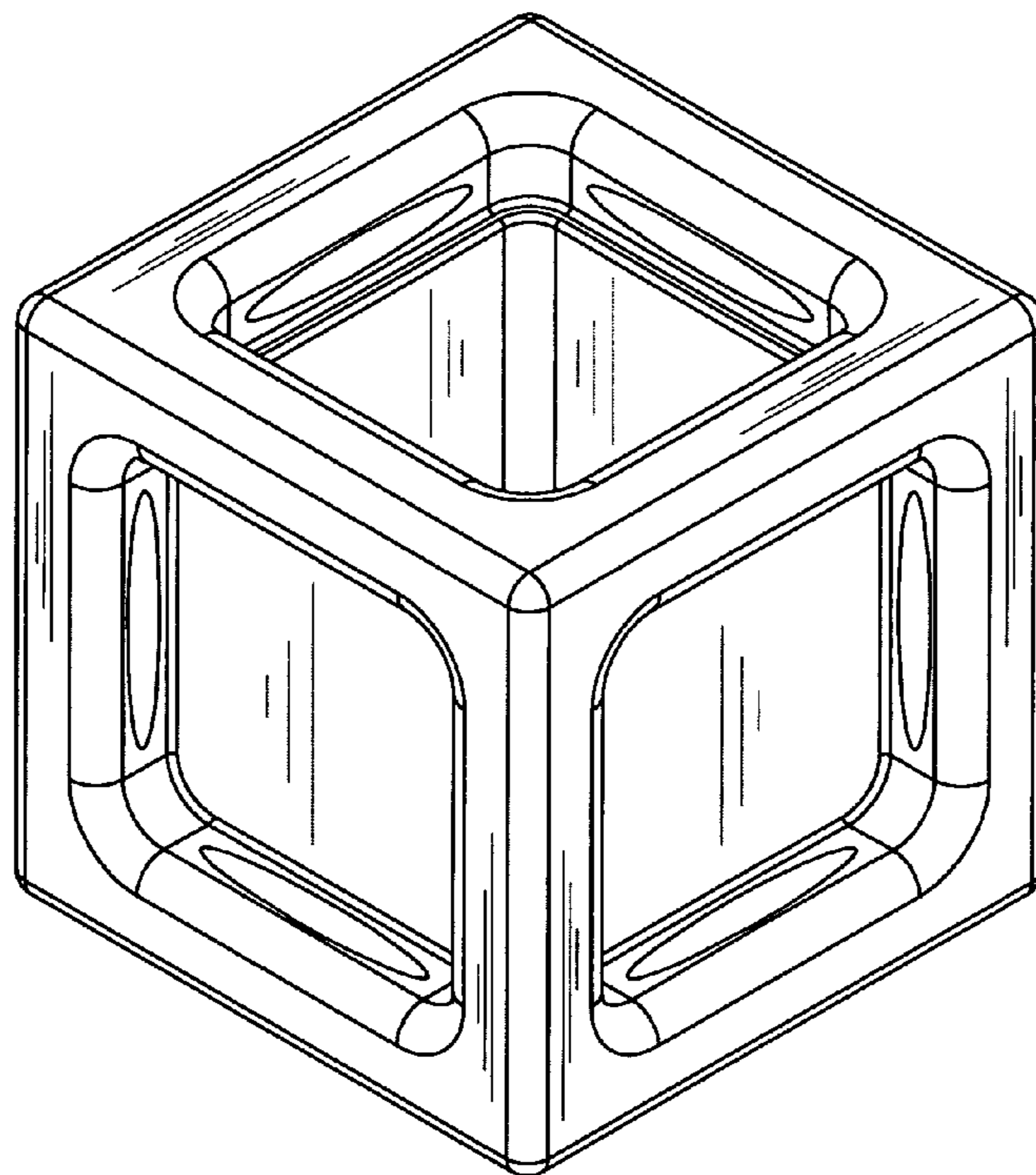
FIG. 1 is a top, front side, left side, perspective view of a female toy building block showing my new design; the bottom, back side, right side perspective view being an identical image;

FIG. 2 is a top plan view; the bottom plan view being an identical image;

FIG. 3 is a front elevation view; the back, right side, and left side elevation views being identical images; and,

FIG. 4 is a vertical cross sectional view from the front to back side taken from line 4—4 in FIG. 2; the vertical cross sectional view from the left to right side being an identical image thereof.

1 Claim, 4 Drawing Sheets



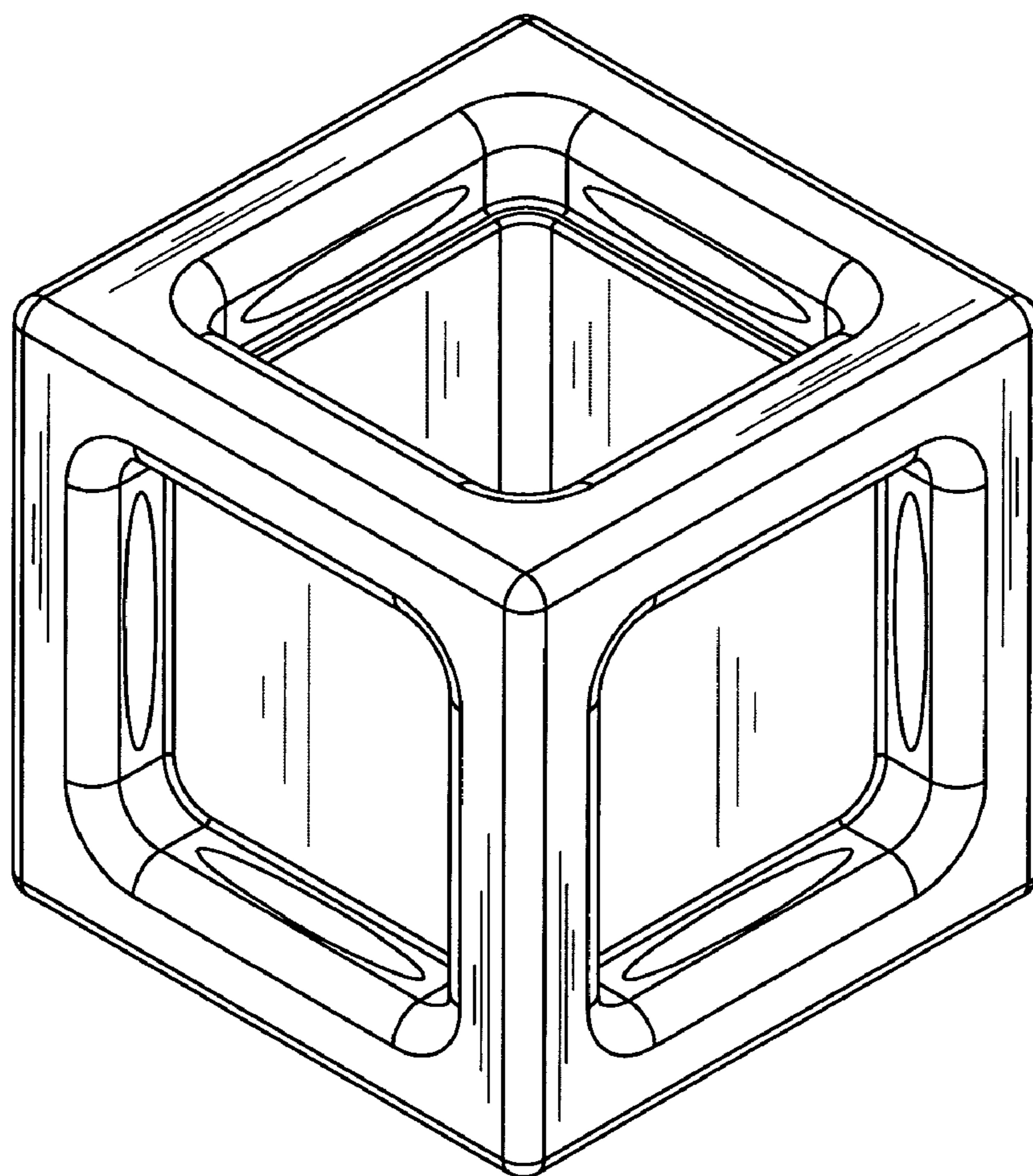


FIG. 1

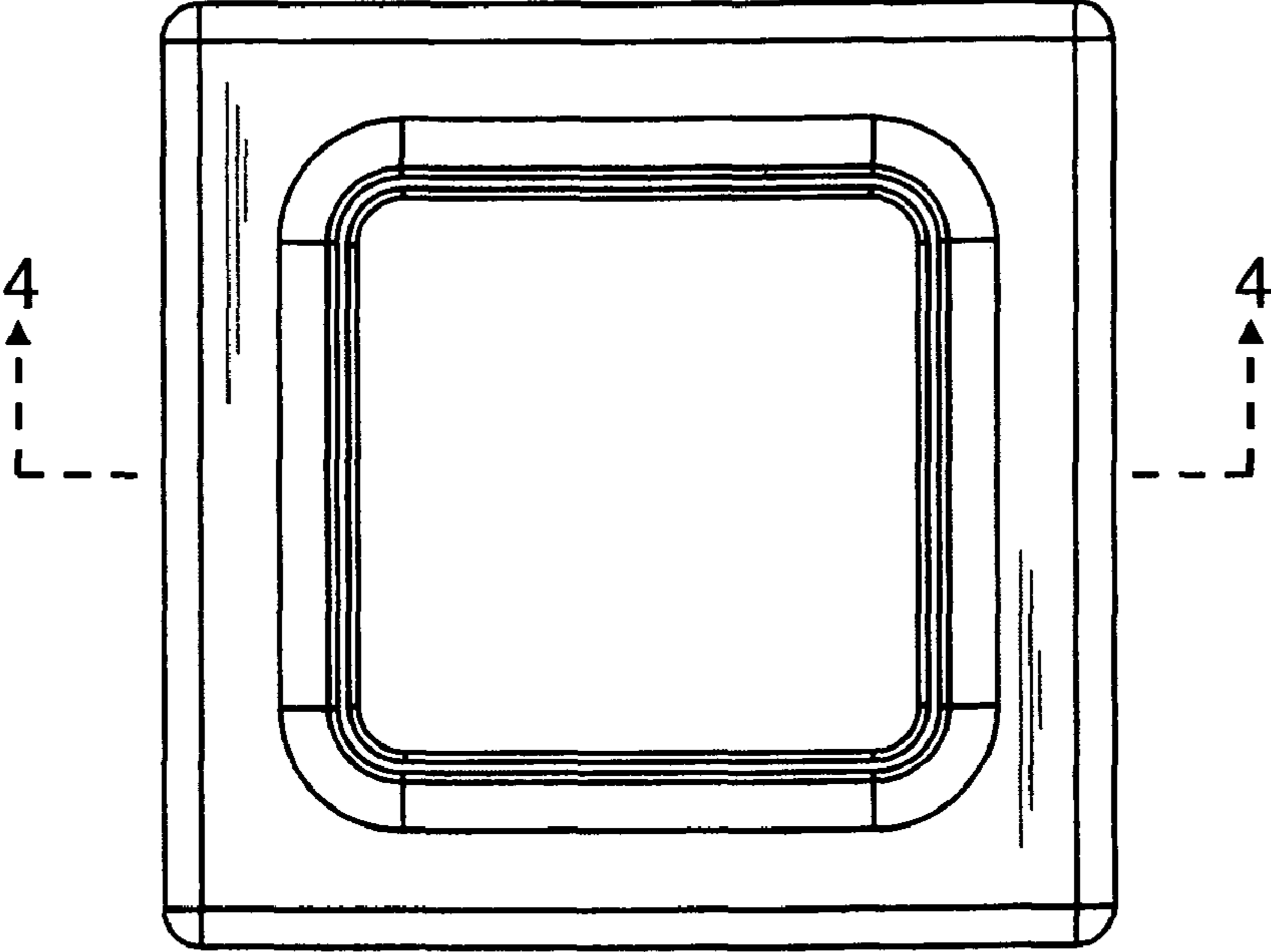


FIG. 2

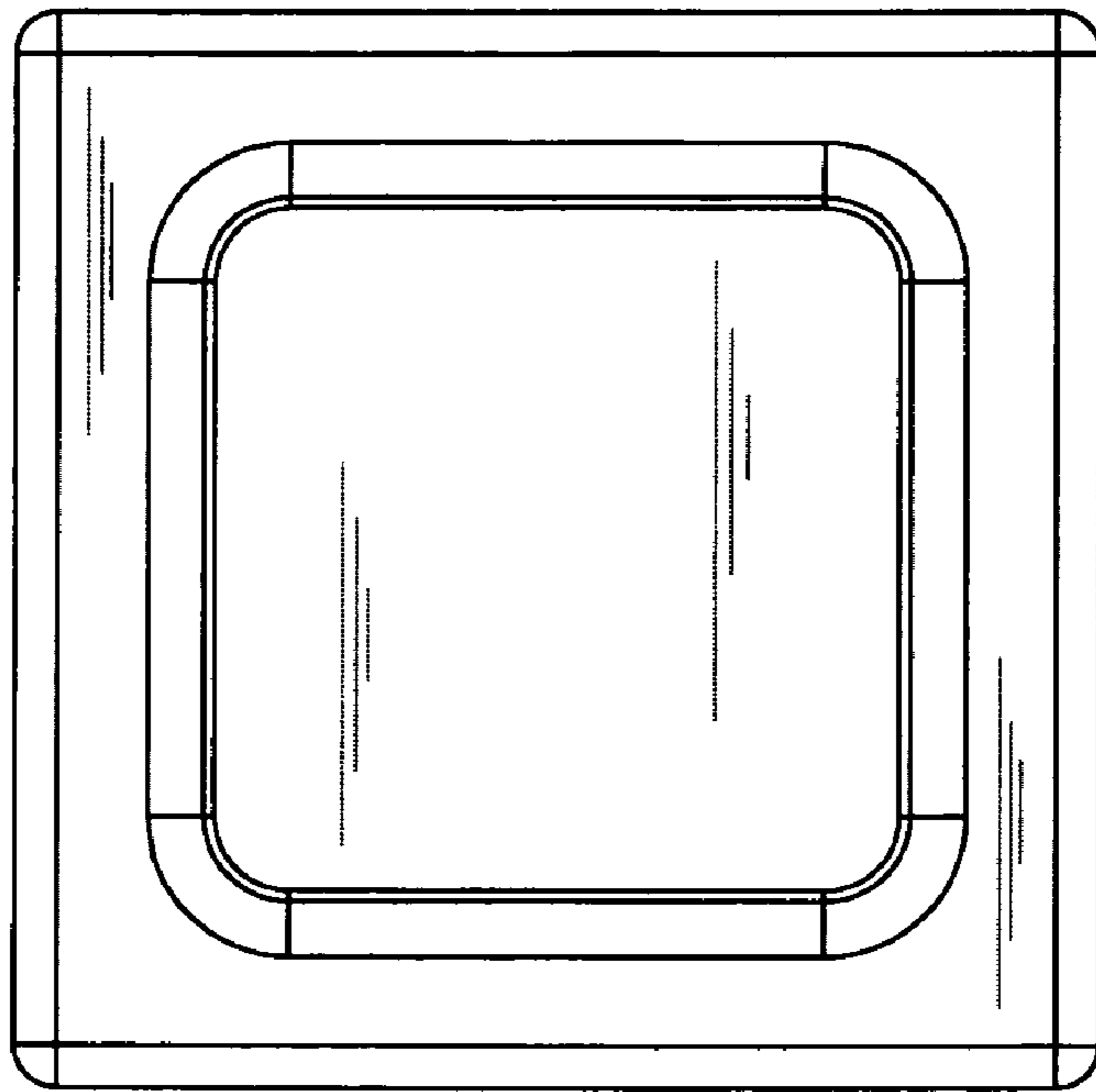


FIG. 3

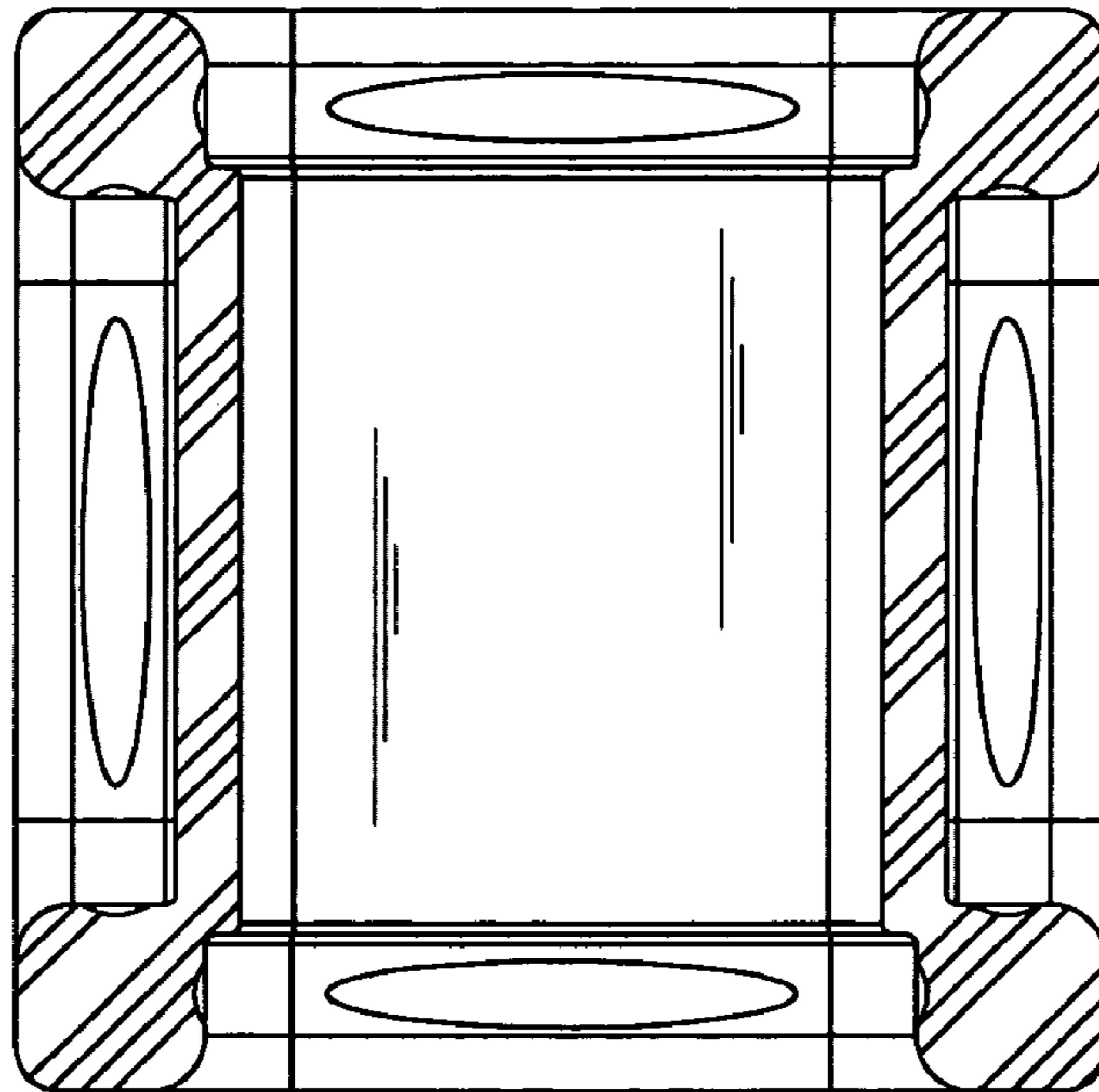


FIG. 4