



US00D616043S

(12) **United States Design Patent**  
**Ujita**

(10) **Patent No.:** **US D616,043 S**  
(45) **Date of Patent:** **\*\* May 18, 2010**

(54) **TOY HAND GRIP FOR TOY TOP SPINNER**

(75) Inventor: **Haruhisa Ujita**, Tokyo (JP)

(73) Assignee: **Tomy Company, Ltd.**, Tokyo (JP)

(\*\*) Term: **14 Years**

(21) Appl. No.: **29/309,760**

(22) Filed: **Oct. 6, 2008**

(30) **Foreign Application Priority Data**

Jun. 9, 2008 (JP) ..... 2008-14630

(51) **LOC (9) Cl.** ..... **21-01**

(52) **U.S. Cl.** ..... **D21/461**

(58) **Field of Classification Search** ..... D21/385,  
D21/398, 436-438, 441-444, 447, 453-464;  
D8/107, 300, 301, 303, DIG. 7; 446/34-45,  
446/48, 217, 218, 236-266, 421, 429, 430,  
446/486, 489

See application file for complete search history.

(56) **References Cited**

**U.S. PATENT DOCUMENTS**

214,154 A \* 4/1879 Johnson ..... 446/263  
510,137 A \* 12/1893 Hollingsworth ..... 446/40  
615,930 A 12/1898 Warren  
1,207,200 A 12/1916 Novak  
1,208,431 A \* 12/1916 Wilcox ..... 446/263  
1,366,535 A 1/1921 Harrington  
1,668,695 A \* 5/1928 Pfaff ..... 446/263  
1,771,489 A 7/1930 Dochnal  
2,561,601 A 7/1951 Szonnell  
3,110,125 A \* 11/1963 Gibson, Jr. .... 446/216

(Continued)

**FOREIGN PATENT DOCUMENTS**

DE 202 07 253 10/2002

(Continued)

**OTHER PUBLICATIONS**

Article appearing in Japanese Newspaper "Nihon Keizai Shimbun"  
(Japanese Economic Journal), Apr. 8, 2008, 3 pp.

(Continued)

*Primary Examiner*—Catherine Tuttle

(74) *Attorney, Agent, or Firm*—Staas & Halsey LLP

(57) **CLAIM**

The ornamental design for a toy hand grip for toy top spinner,  
as shown and described.

**DESCRIPTION**

FIG. 1 is a front view of the toy hand grip for toy top spinner  
showing my design;

FIG. 2 is a rear view thereof;

FIG. 3 is left side view thereof;

FIG. 4 is right side view thereof;

FIG. 5 is a top view thereof;

FIG. 6 is a bottom view thereof;

FIG. 7 is a front perspective view thereof;

FIG. 8 is a rear perspective view thereof;

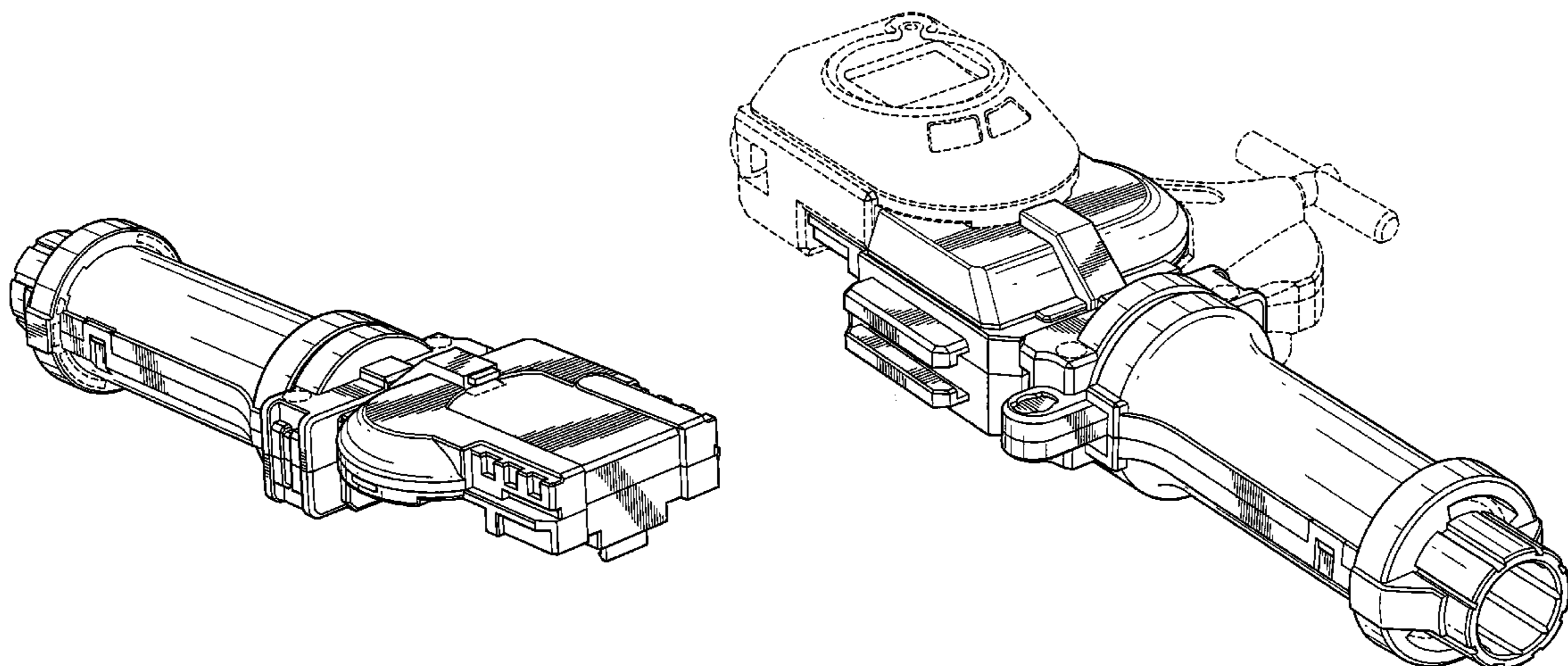
FIG. 9 is a front perspective view showing the design together  
with broken lines illustrating an associated scoring device and  
spinner;

FIG. 10 is a rear perspective view of the design and associated  
structures shown in FIG. 9 together with additional broken  
lines showing a top and a user's hand; and,

FIG. 11 is a front perspective view.

The broken lines showing the scoring, device and spinner, top  
and hand are included for the purpose of illustrating environ-  
mental structure and manner of use that form no part of the  
claimed design. The remaining broken lines are included for  
the purposes of illustrating portions of the toy hand grip that  
form no part of the claimed design.

**1 Claim, 7 Drawing Sheets**



# US D616,043 S

Page 2

---

## U.S. PATENT DOCUMENTS

D199,536 S \* 11/1964 Salayka ..... D21/461  
3,701,216 A \* 10/1972 Smith et al. .... 446/429  
D289,907 S \* 5/1987 Redding ..... D21/461  
D364,898 S \* 12/1995 Davidson ..... D21/441  
5,518,437 A 5/1996 Nonaka et al.  
5,593,338 A \* 1/1997 Itoh et al. .... 446/259  
6,739,939 B2 5/2004 Matsukawa  
6,743,070 B1 6/2004 Lin  
6,905,389 B2 6/2005 Matsukawa  
7,063,589 B2 6/2006 Matsukawa et al.  
D554,201 S \* 10/2007 Vetuskey et al. .... D21/454  
7,427,225 B2 9/2008 Matsukawa et al.  
7,481,691 B2 \* 1/2009 Sze et al. .... 446/45

2003/0064660 A1 4/2003 Matsukawa  
2004/0198152 A1 10/2004 Matsukawa

## FOREIGN PATENT DOCUMENTS

JP 3067318 3/2000  
JP 2003-320174 11/2003  
JP 2005-328976 12/2005

## OTHER PUBLICATIONS

U.S. Copyright Registration No. VA-1-172-936 dated Oct. 22, 2002  
and deposit copy (2 pp.).  
Specimen filed in U.S. Trademark Registration No. 2,709,995 on  
Nov. 12, 2002.

\* cited by examiner

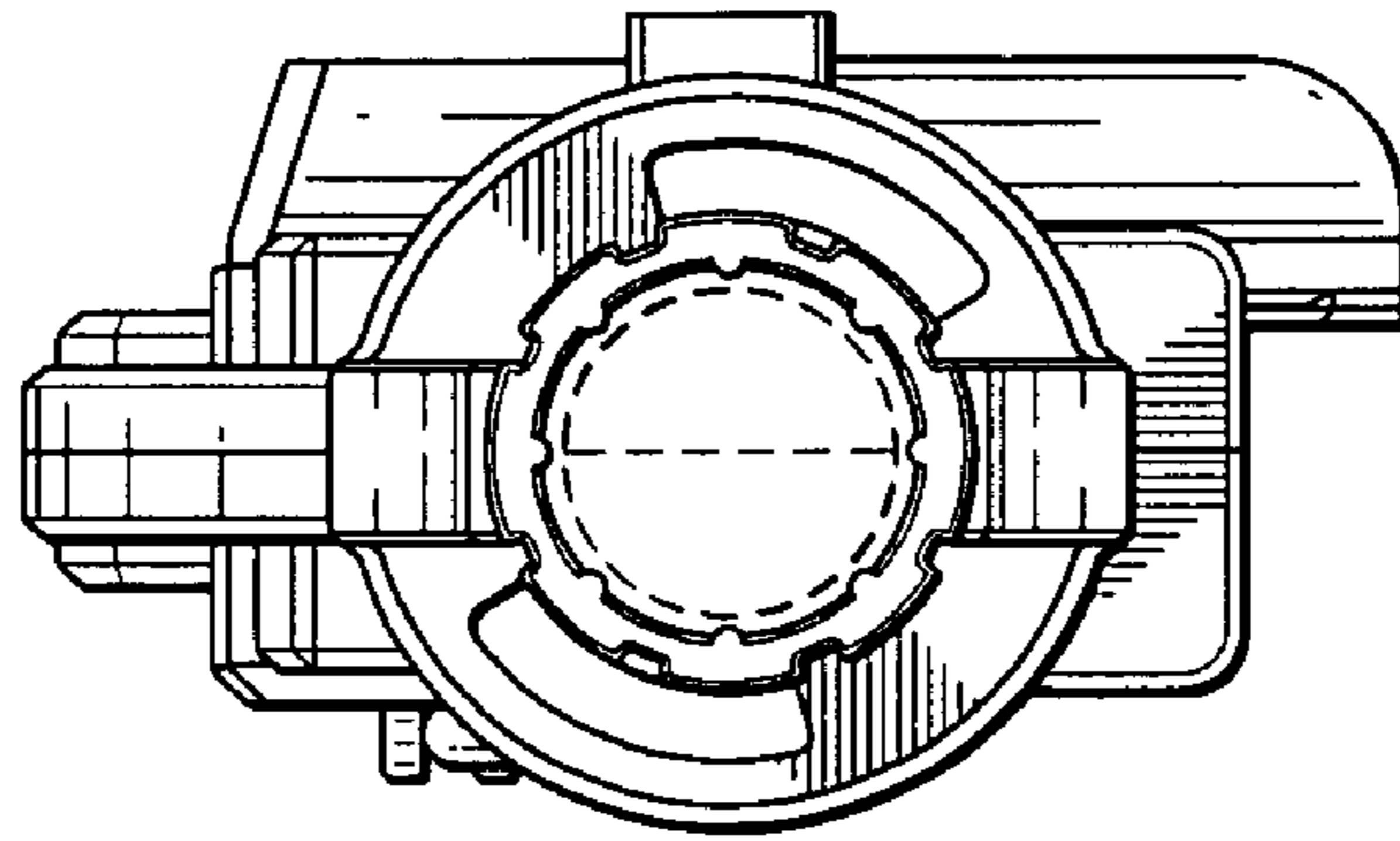


FIG. 1

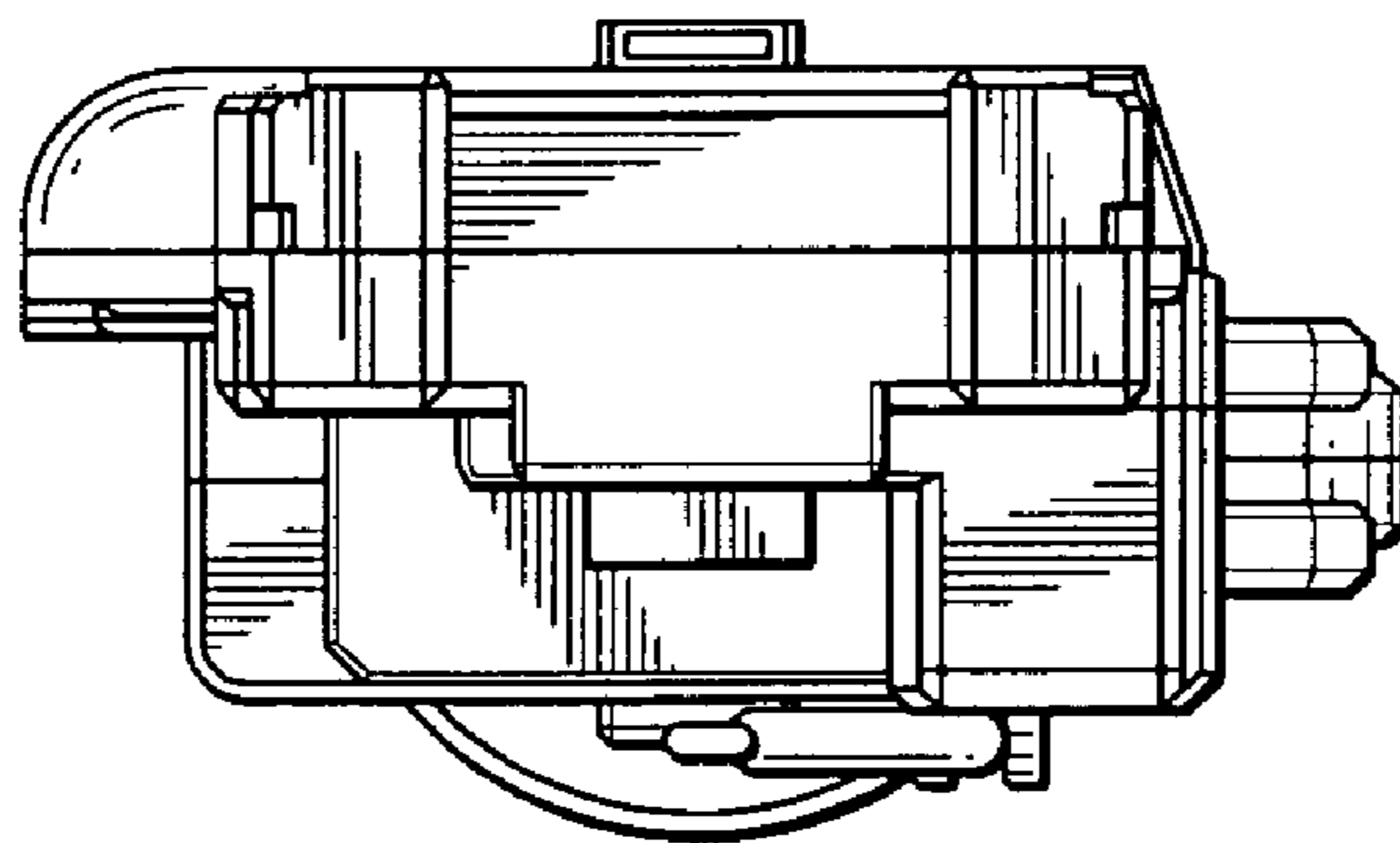


FIG. 2

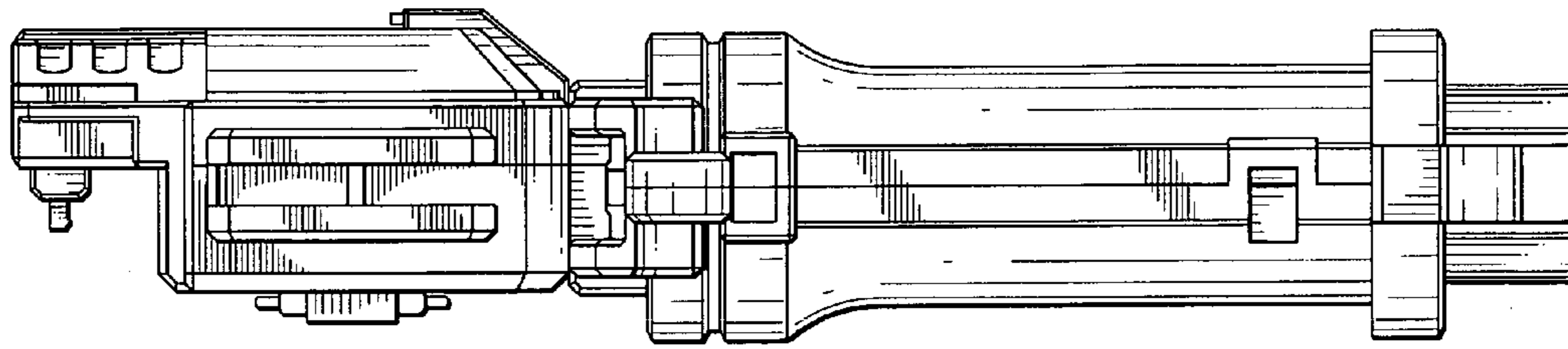


FIG.3

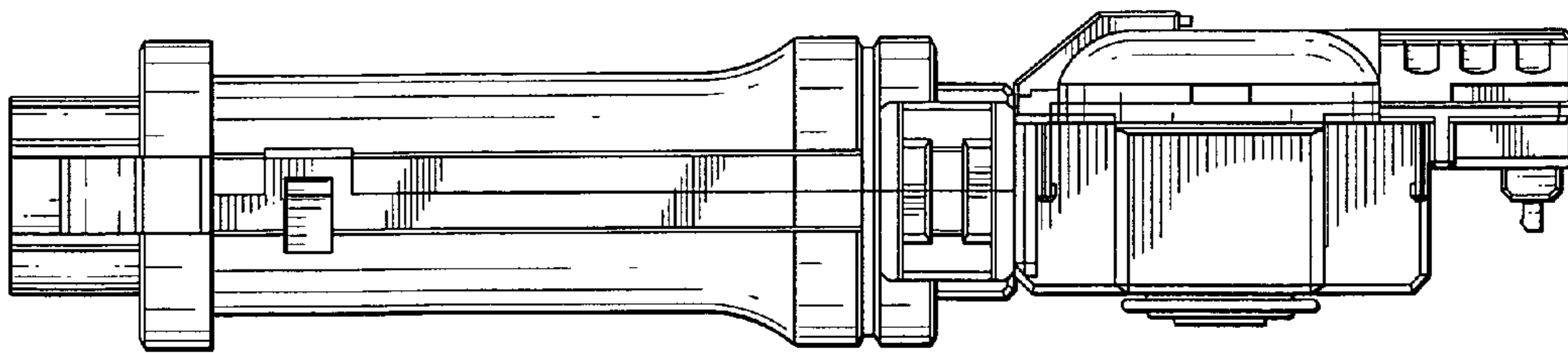


FIG.4

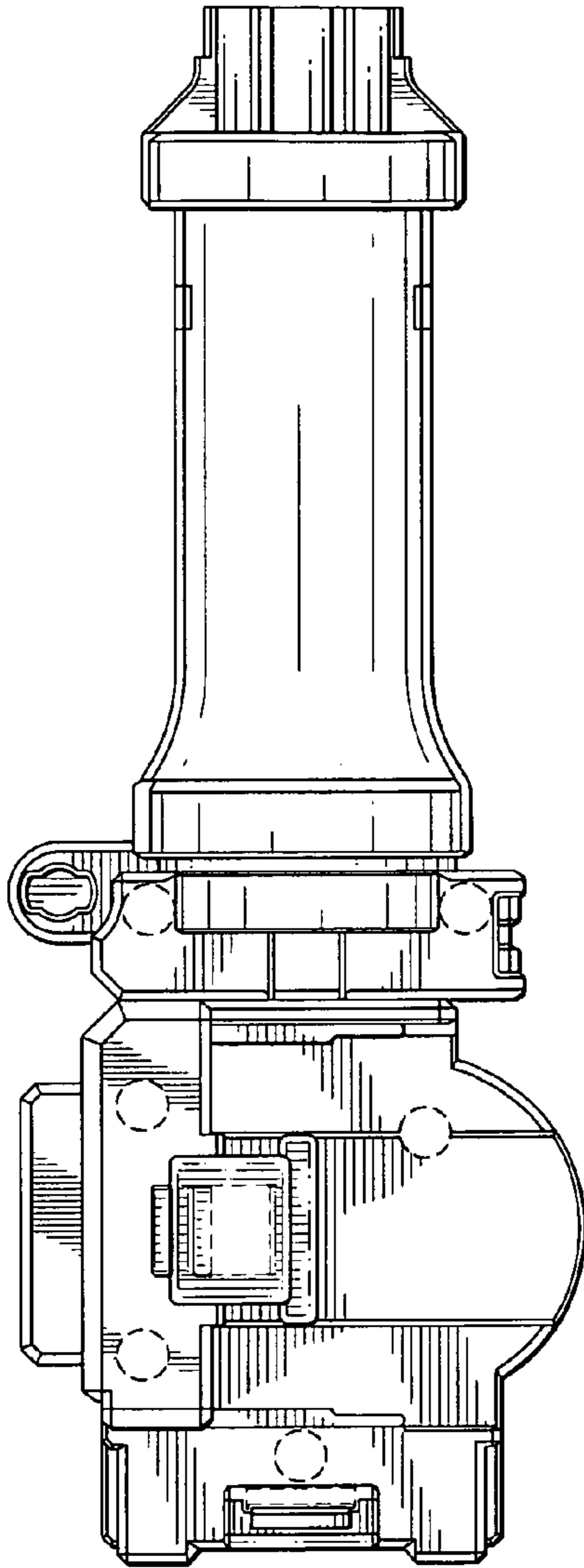


FIG. 5

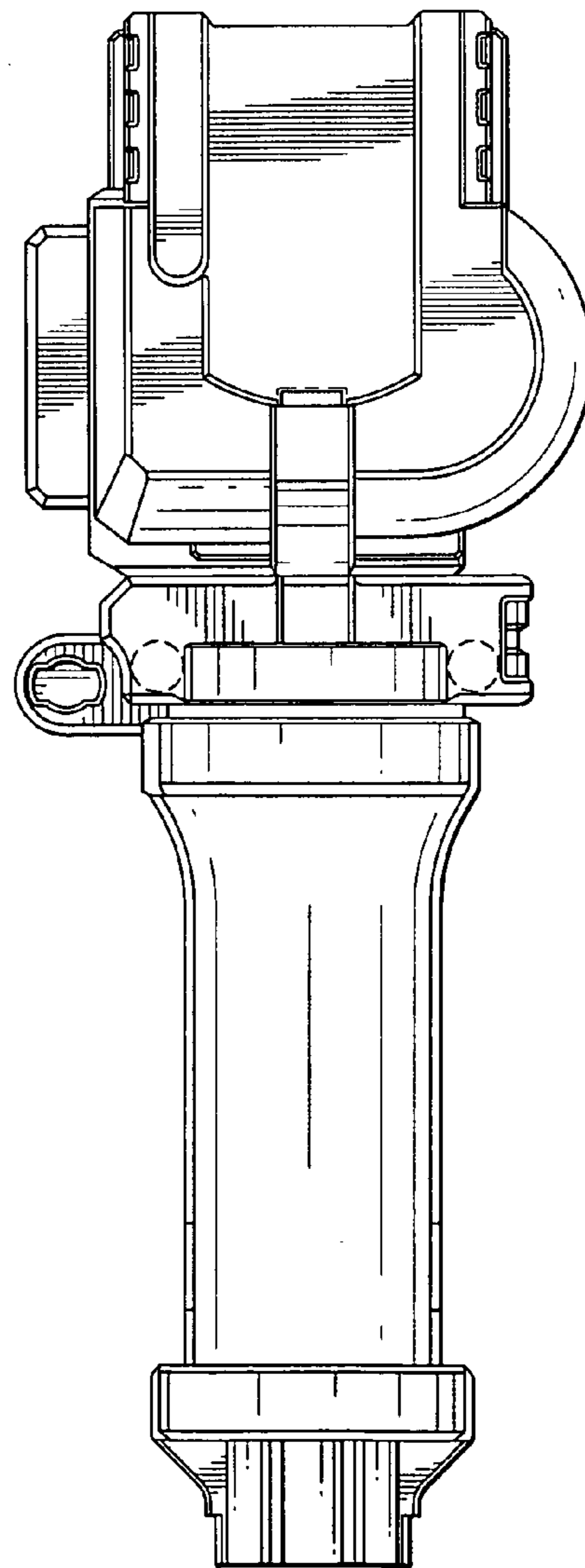


FIG. 6

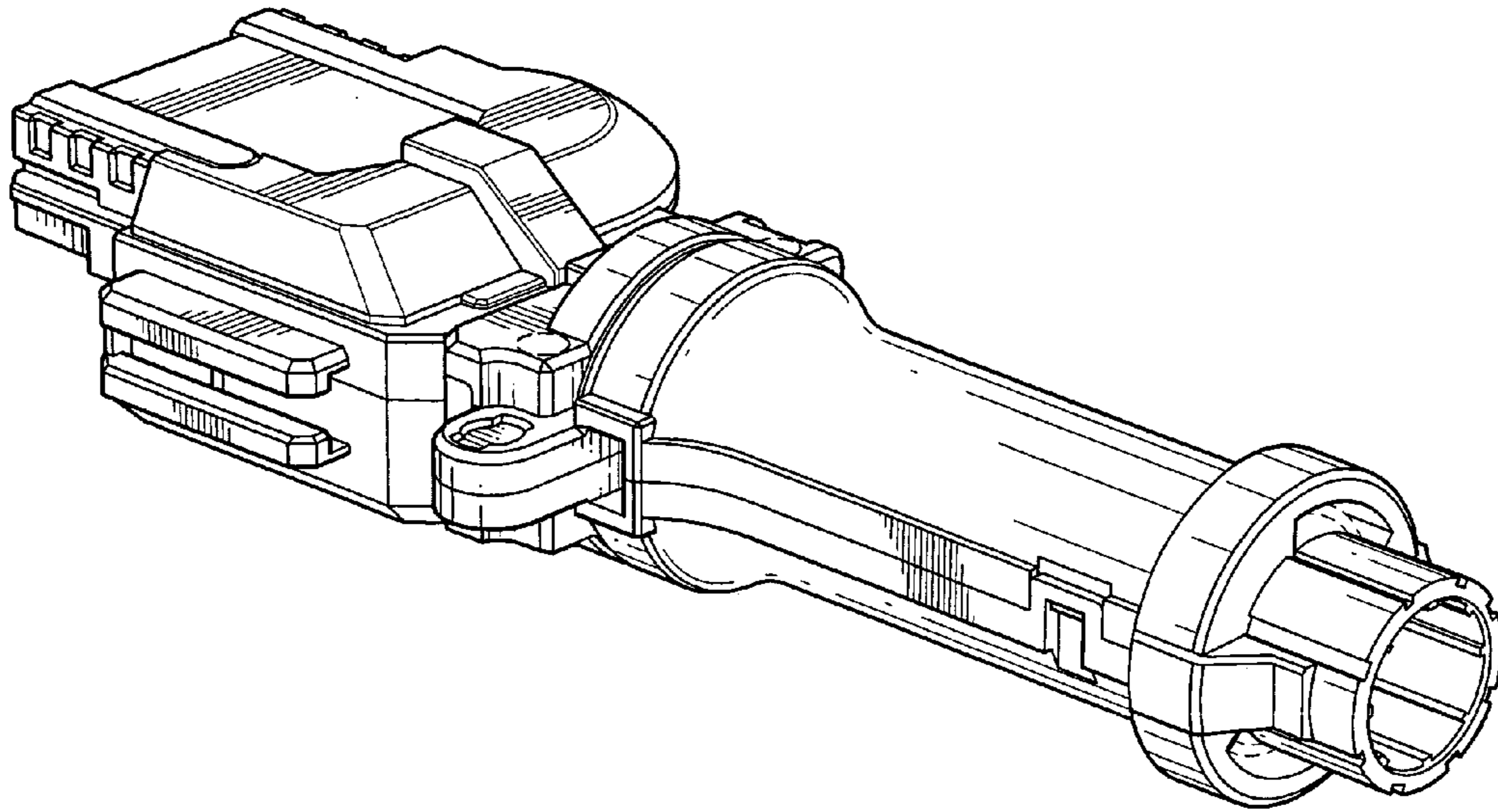


FIG. 7

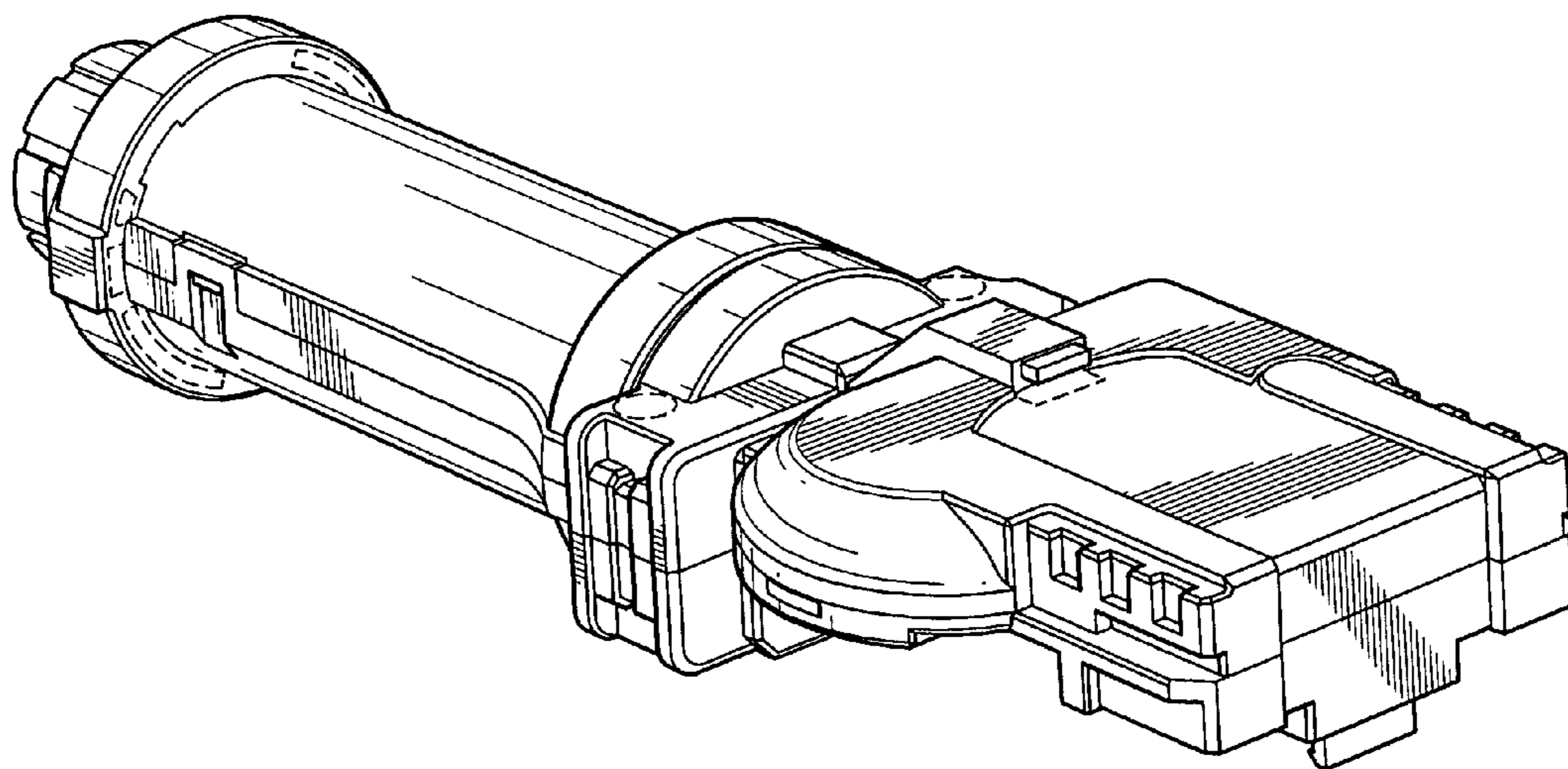


FIG. 8

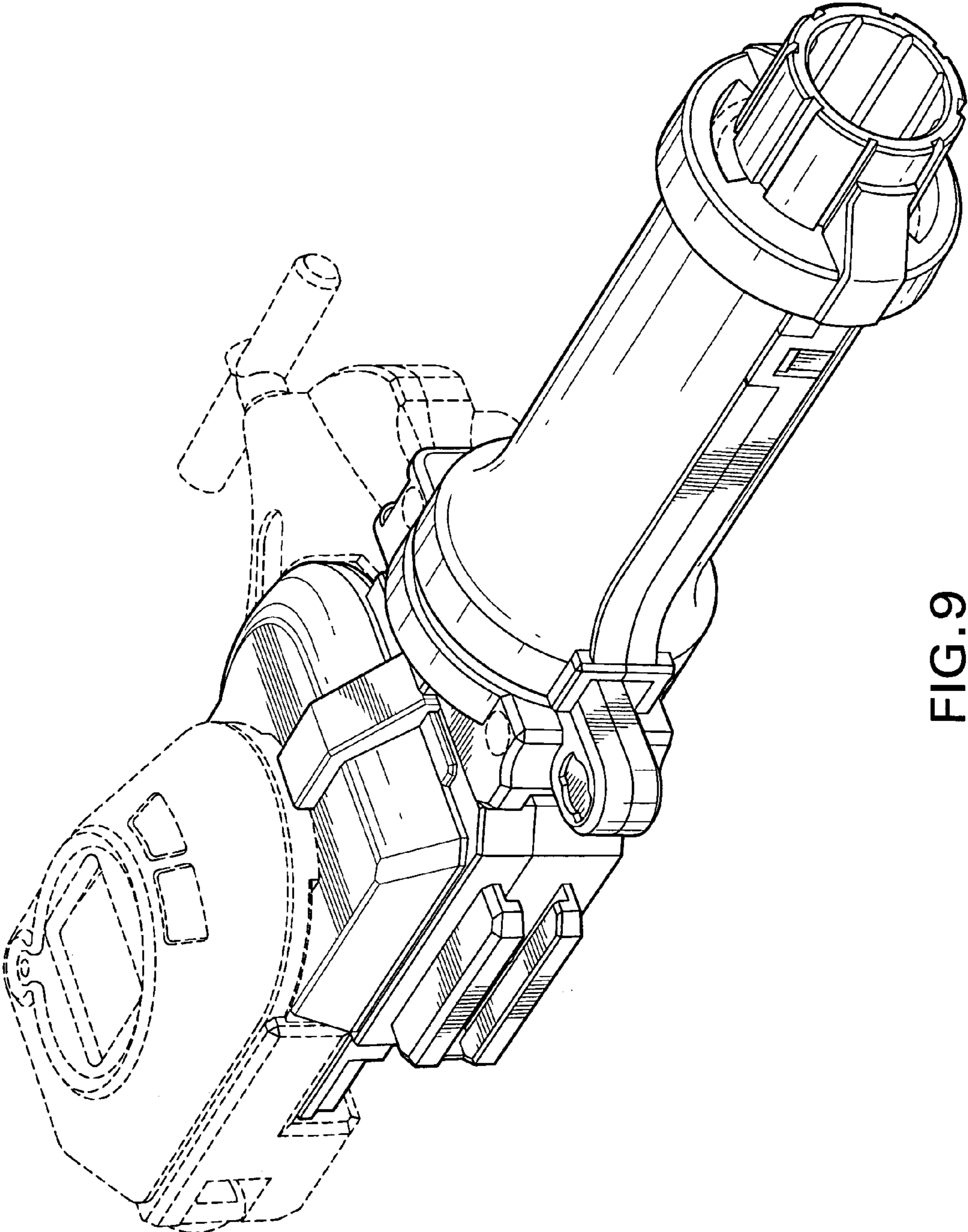


FIG. 9

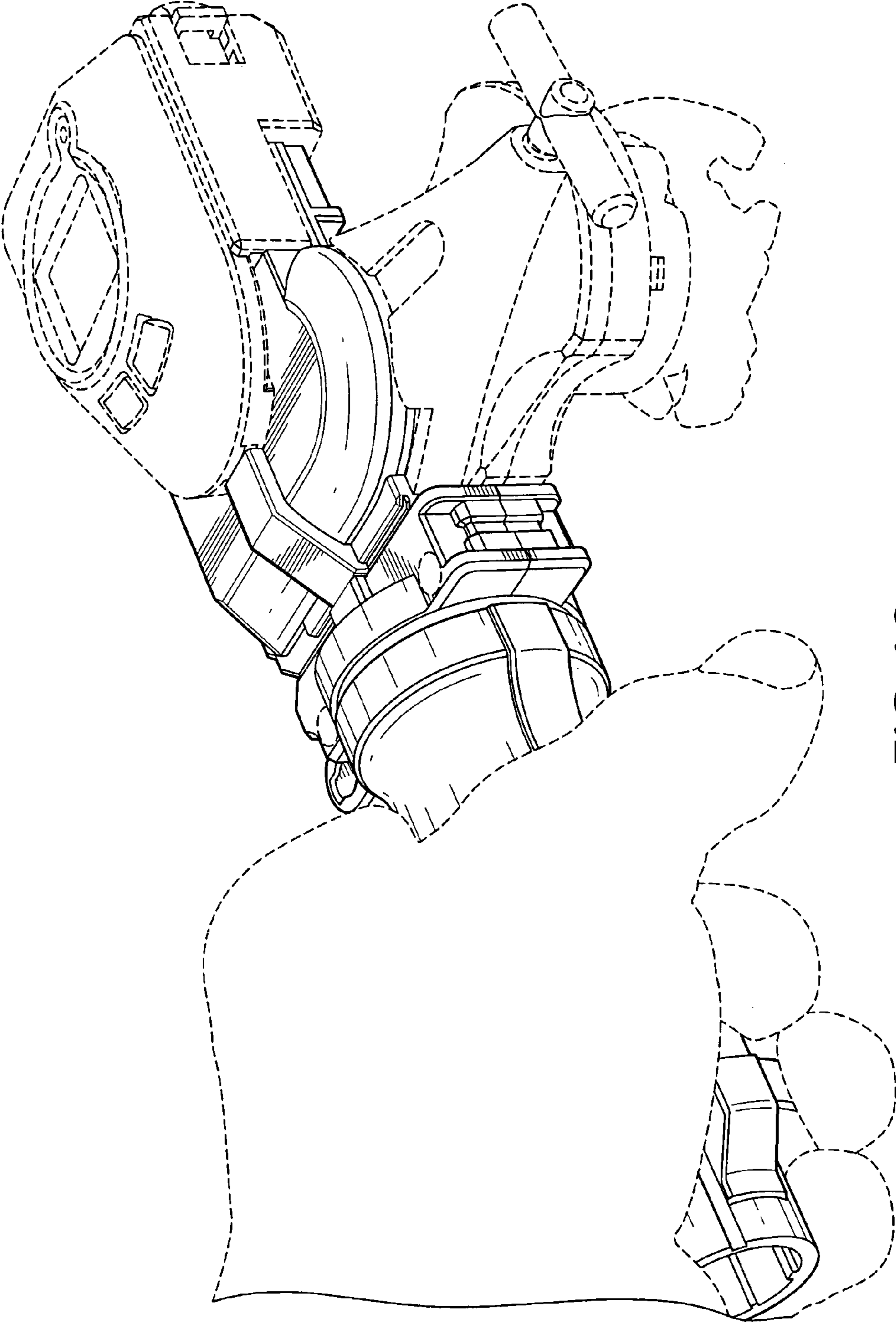


FIG. 10



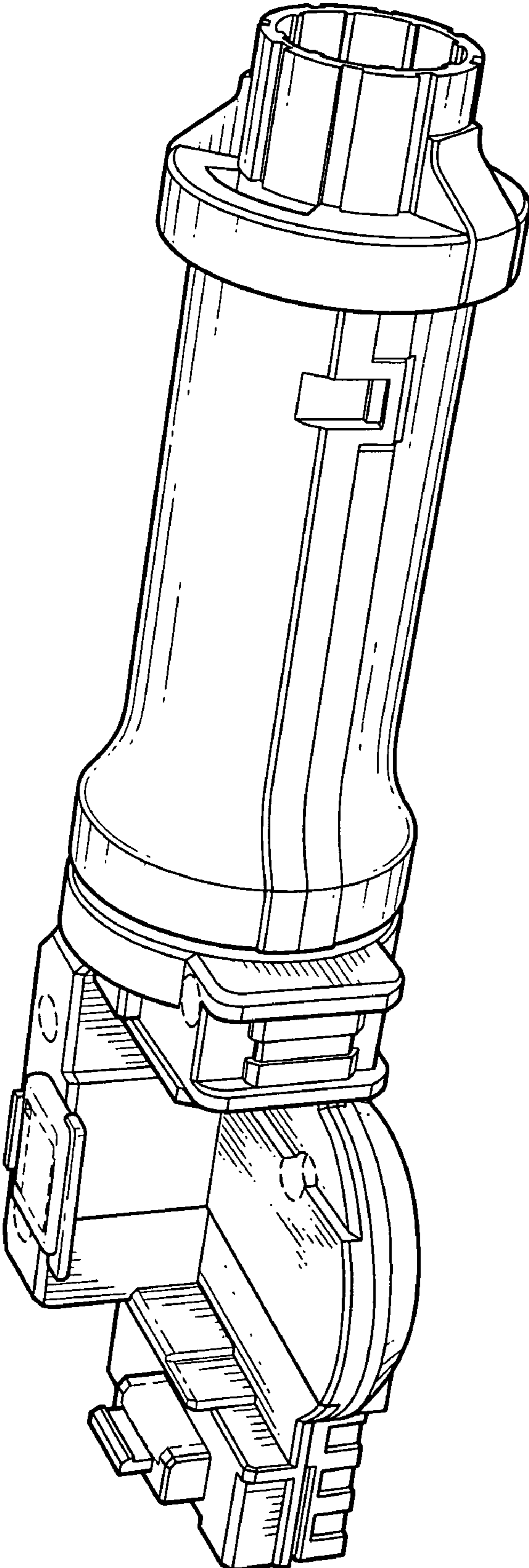


FIG. 11