



US00D616042S

(12) **United States Design Patent**  
**Shimizu et al.**

(10) **Patent No.:** **US D616,042 S**  
(45) **Date of Patent:** **\*\* May 18, 2010**

(54) **SLOT MACHINE REEL ASSEMBLY**

(75) Inventors: **Toshiaki Shimizu**, Yamato (JP); **Takashi Nishitsuji**, Sagamihara (JP)

(73) Assignee: **Konami Gaming, Inc.**, Las Vegas, NV (US)

(\*\*) Term: **14 Years**

(21) Appl. No.: **29/348,364**

(22) Filed: **Dec. 22, 2009**

6,471,208	B2	10/2002	Yoseloff et al.
6,578,847	B1	6/2003	Hedrick et al.
6,604,740	B1	8/2003	Singer et al.
6,880,826	B2	4/2005	Inoue
D510,752	S	10/2005	Baelocher
D514,170	S	1/2006	Kaminkow et al.
7,014,560	B2	3/2006	Glavich et al.
7,169,045	B2	1/2007	Nordman
D537,127	S	2/2007	Kaminkow et al.
2004/0026854	A1	2/2004	Inoue
2004/0209667	A1	10/2004	Emori et al.
2005/0043084	A1	2/2005	Inoue
2005/0056996	A1	3/2005	Nordman

**Related U.S. Application Data**

(63) Continuation of application No. 29/314,053, filed on Feb. 27, 2009, now Pat. No. Des. 611,996, which is a continuation of application No. 29/288,504, filed on Jun. 13, 2007, now abandoned.

(51) **LOC (9) Cl.** ..... **21-01**

(52) **U.S. Cl.** ..... **D21/385; D21/370**

(58) **Field of Classification Search** ..... D21/325, D21/329, 333, 369-371, 385; D14/305, D14/307; 463/16-17, 20, 25, 46-47; 273/138.1, 273/143 R

See application file for complete search history.

(56) **References Cited**

**U.S. PATENT DOCUMENTS**

3,759,525	A	9/1973	Davis
D264,485	S	5/1982	Kitchen
4,570,934	A	2/1986	Smyth
4,700,948	A	10/1987	Okada
D404,084	S	1/1999	Hedrick et al.
D406,615	S	3/1999	Griswold et al.
D437,004	S	1/2001	Luciano et al.

*Primary Examiner*—Sandra Morris

(74) *Attorney, Agent, or Firm*—Masuvalley & Partners

(57) **CLAIM**

The ornamental design for a slot machine reel assembly, as shown and described.

**DESCRIPTION**

FIG. 1 is a front elevation view of an embodiment of our design for slot machine reel assembly, each with a side cover.

FIG. 2 is a perspective view of an embodiment of our design for slot machine reel assembly, each with a side cover.

FIG. 3 is an enlarged front elevation view of an embodiment of our design for slot machine reel assembly, each with a side cover; and,

FIG. 4 is an enlarged front perspective view of an embodiment of our design for slot machine reel assembly, each with a side cover.

The broken line disclosure is for illustrative purposes only and forms no part of the claimed design.

**1 Claim, 4 Drawing Sheets**

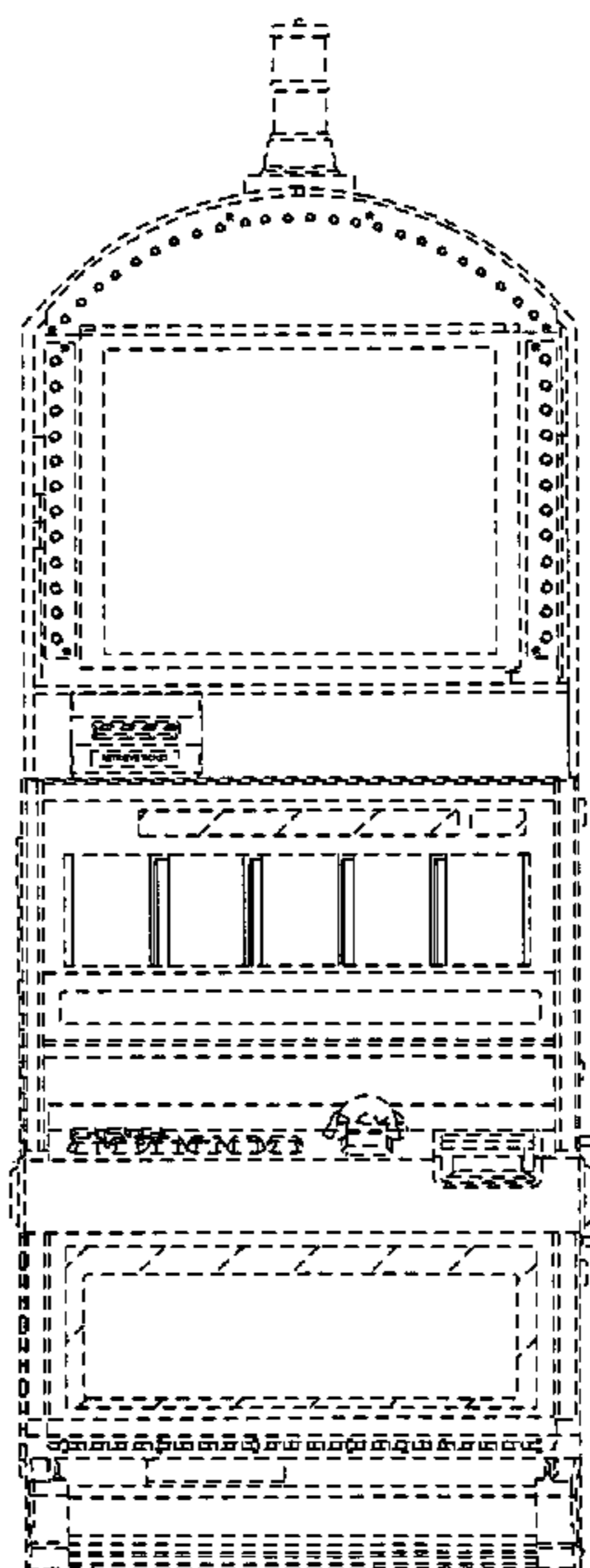


FIG. 1

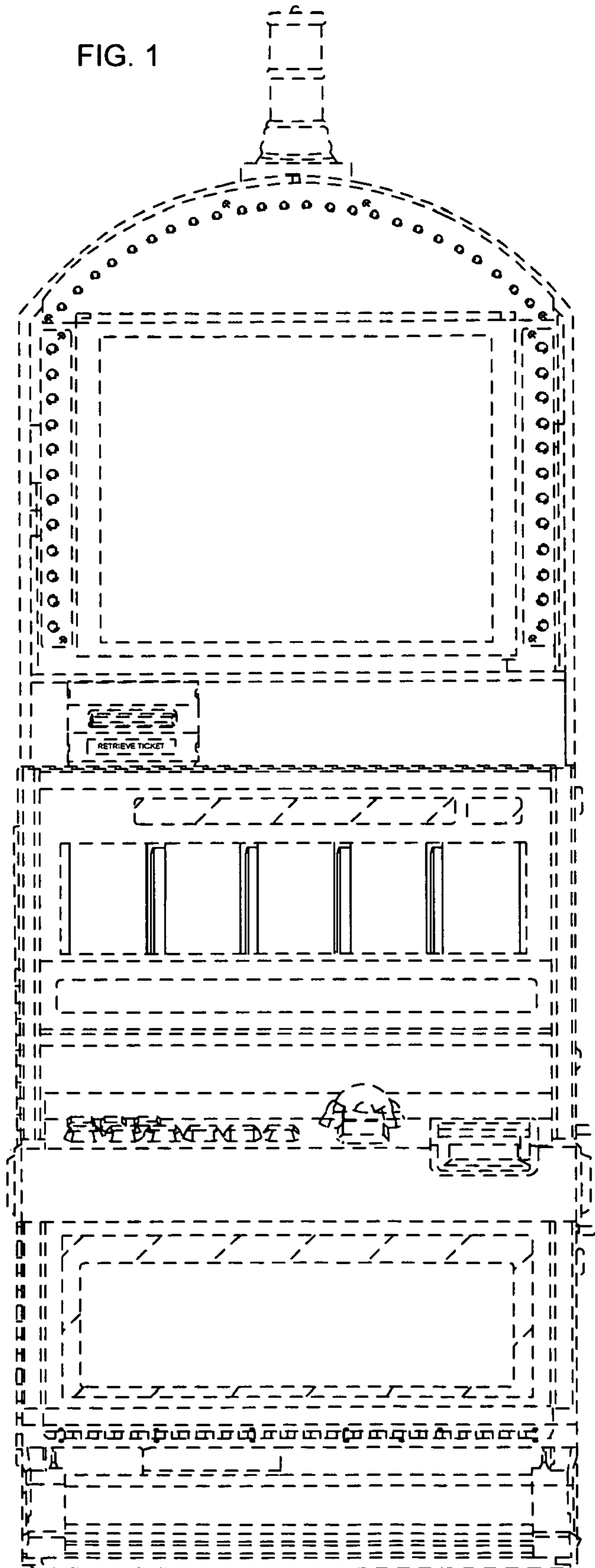


FIG. 2

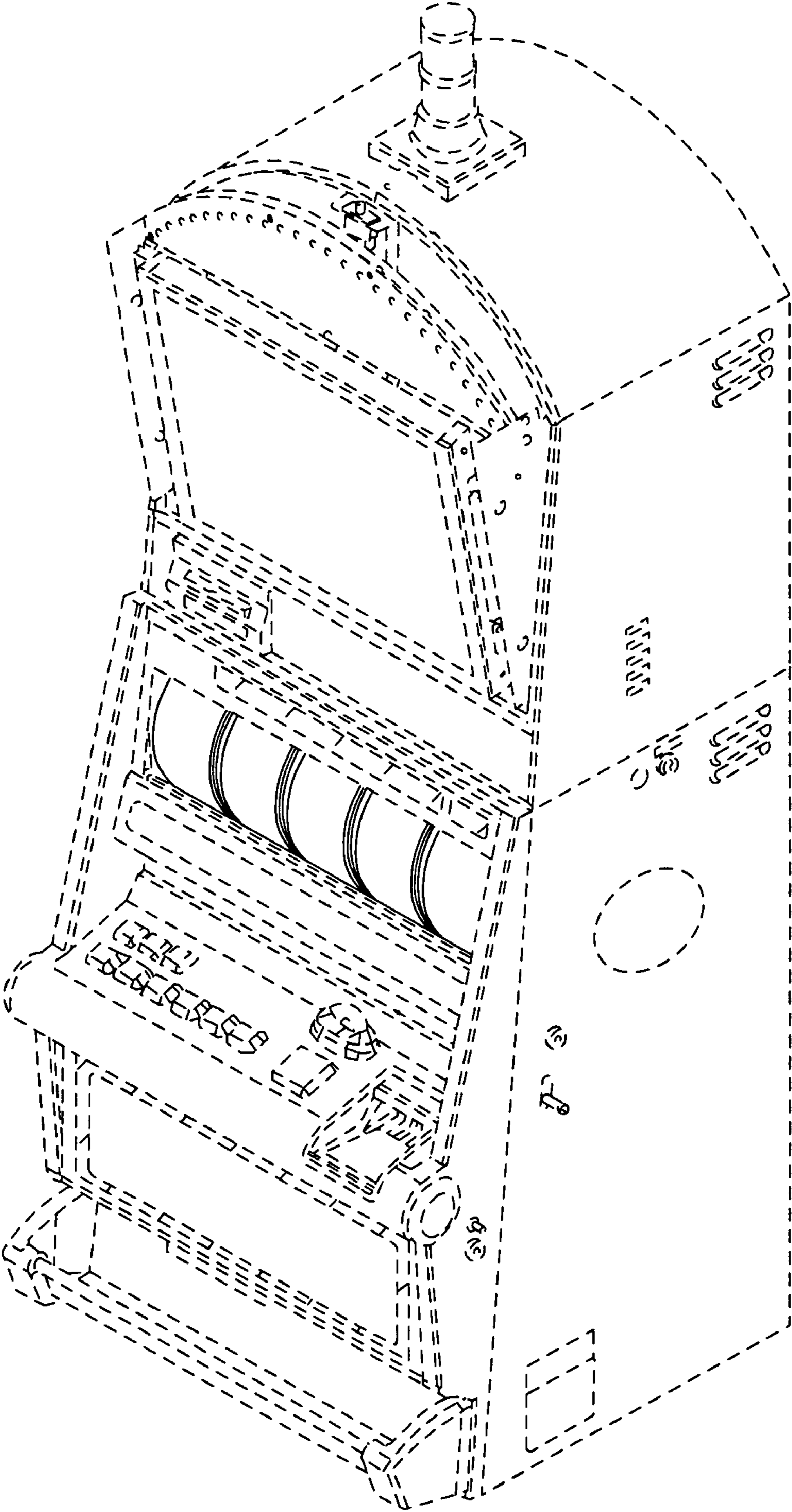


FIG. 3

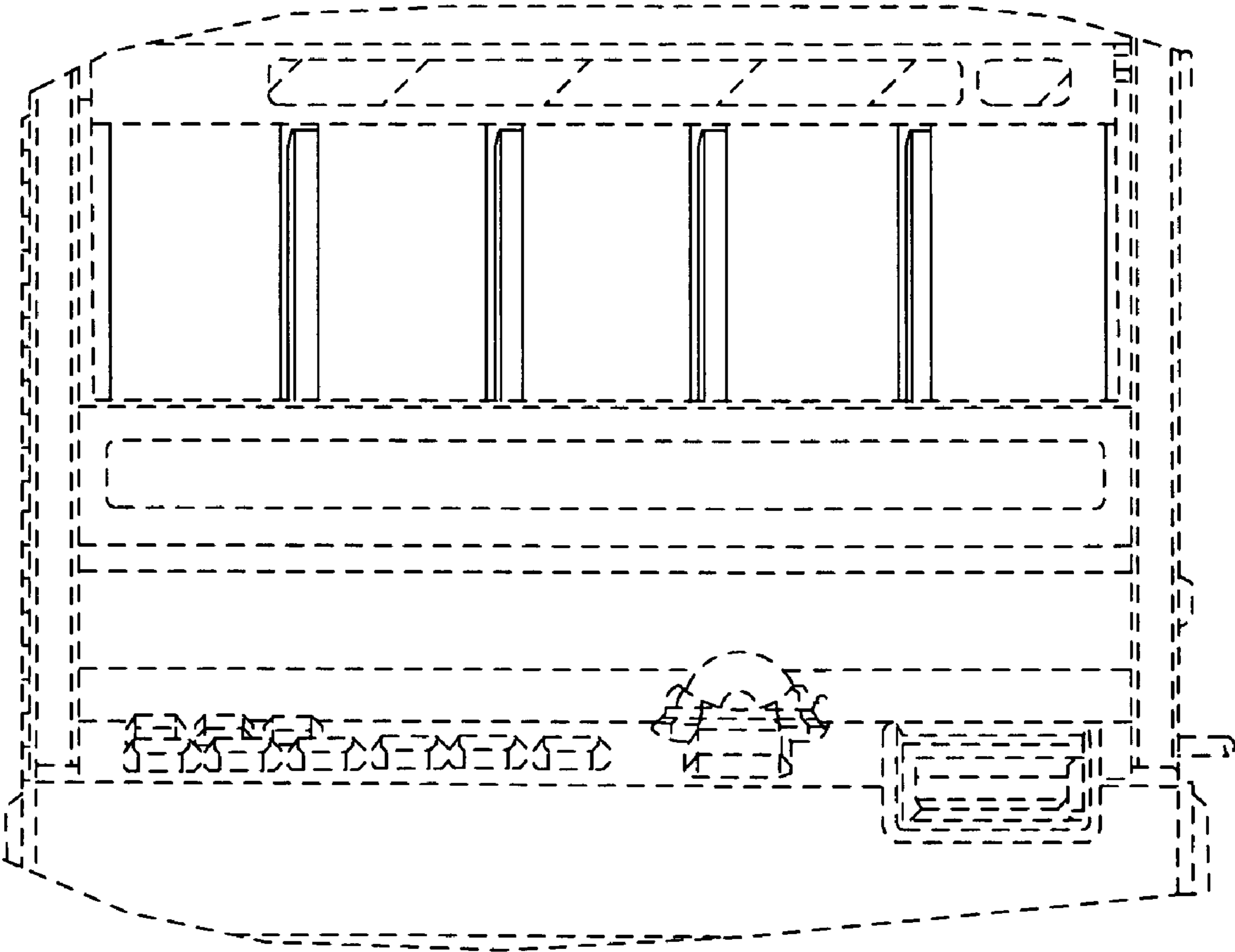




FIG. 4

