



US00D616040S

(12) **United States Design Patent**
Spencer

(10) **Patent No.:** **US D616,040 S**

(45) **Date of Patent:** **** May 18, 2010**

(54) **GAME STAND**

D557,349 S * 12/2007 Linard et al. D21/370

(76) Inventor: **Wayne Spencer**, 16010 Hampton
Village Dr., Tampa, FL (US) 33618

* cited by examiner

Primary Examiner—Sandra Morris

(74) *Attorney, Agent, or Firm*—Edward P Dutkiewicz

(**) Term: **14 Years**

(21) Appl. No.: **29/313,970**

(57) **CLAIM**

(22) Filed: **Feb. 23, 2009**

The ornamental design for a game stand, as shown and described.

(51) **LOC (9) Cl.** **21-01**

(52) **U.S. Cl.** **D21/385; D6/495**

(58) **Field of Classification Search** D21/310,
D21/324, 329–333, 369–370, 385; D6/396,
D6/419, 495; D30/160; 273/148 R, 309;
453/57; 463/46–47

See application file for complete search history.

DESCRIPTION

FIG. 1 is a side right elevational view of the first side of the game stand showing my new design, with a game being demonstrated in phantom;

FIG. 2 is a side left elevational view of the second side of the game stand;

FIG. 3 is a front elevational view thereof;

FIG. 4 is a rear elevational view thereof;

FIG. 5 is a top plan view of the game stand; and

FIG. 6 is a bottom plan view thereof; and,

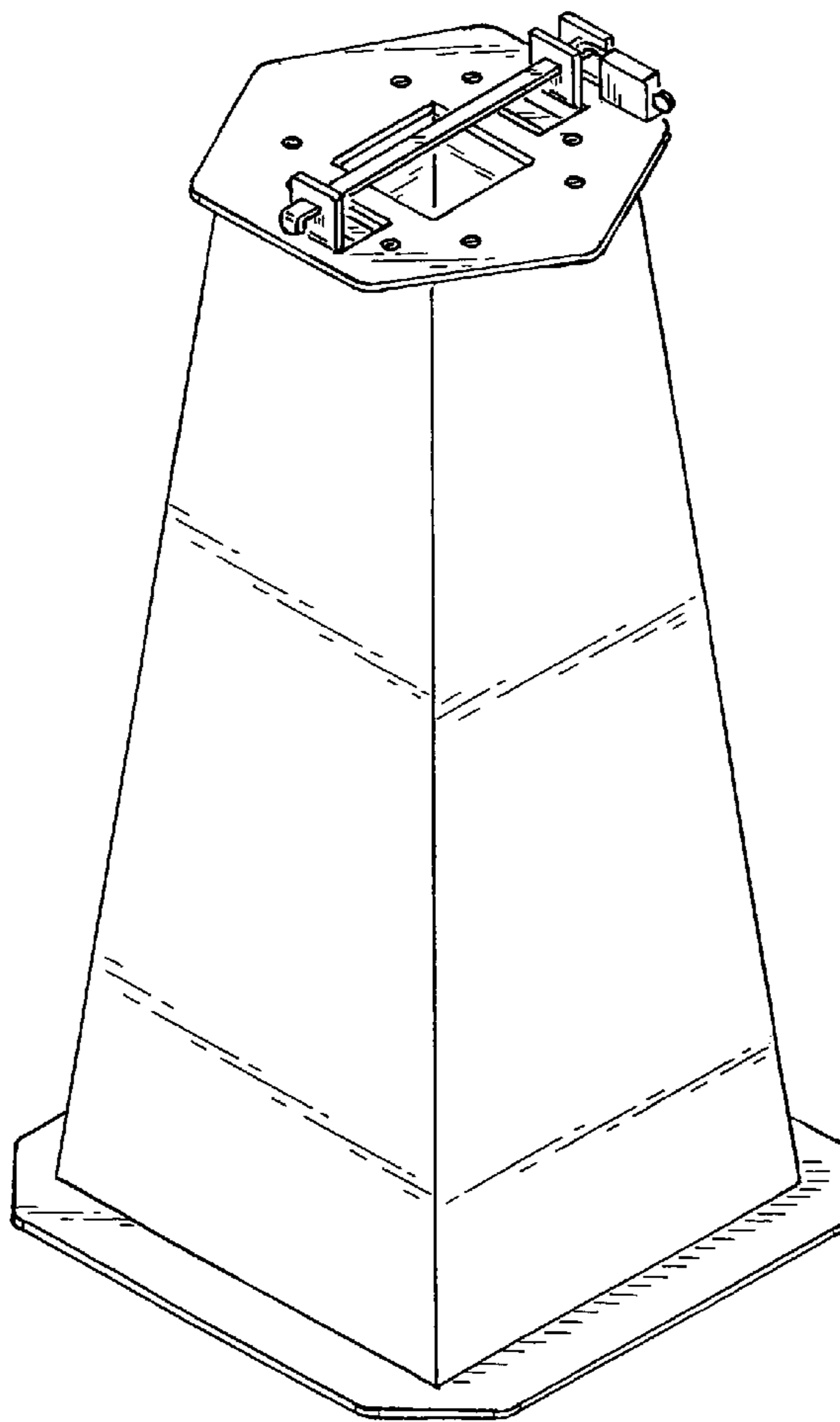
FIG. 7 is a top perspective view thereof.

(56) **References Cited**

U.S. PATENT DOCUMENTS

| | | | | |
|-----------|-----|--------|--------------------|---------|
| 2,825,519 | A * | 3/1958 | Potts et al. | D6/396 |
| 2,881,774 | A * | 4/1959 | Labbe | 453/57 |
| D414,521 | S * | 9/1999 | Martin et al. | D21/329 |
| D468,368 | S * | 1/2003 | Jones | D21/385 |
| D537,482 | S * | 2/2007 | Gadda et al. | D21/385 |

1 Claim, 4 Drawing Sheets



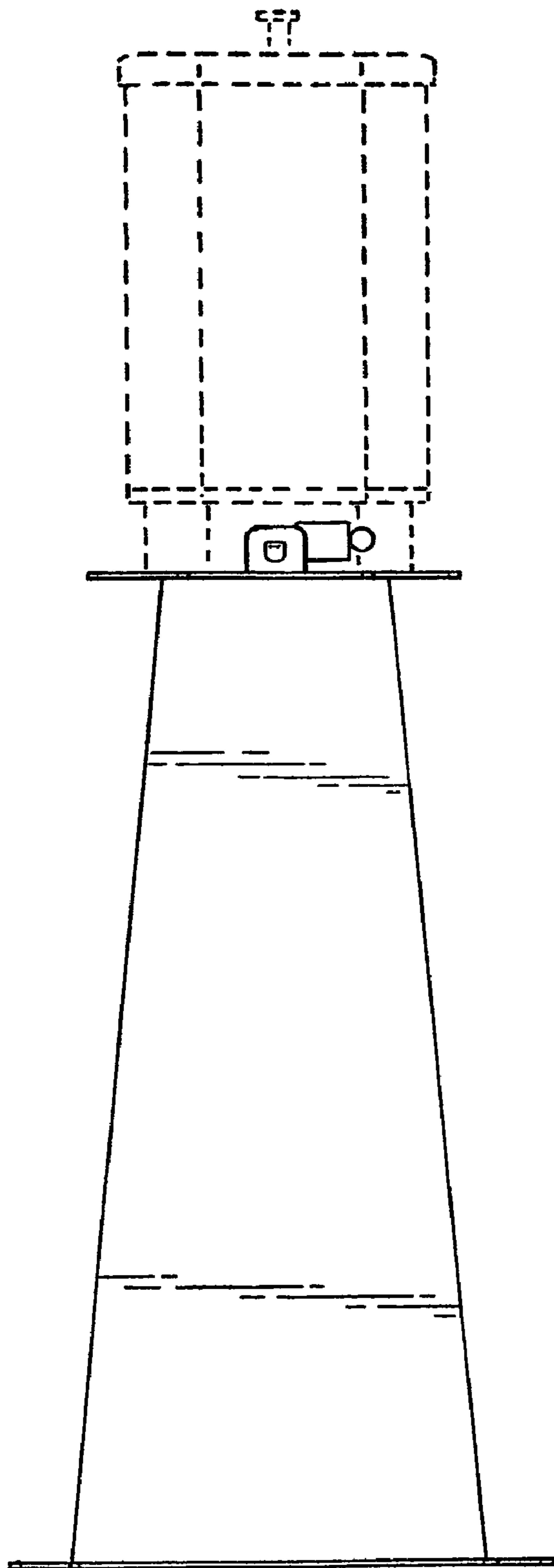


FIG 1

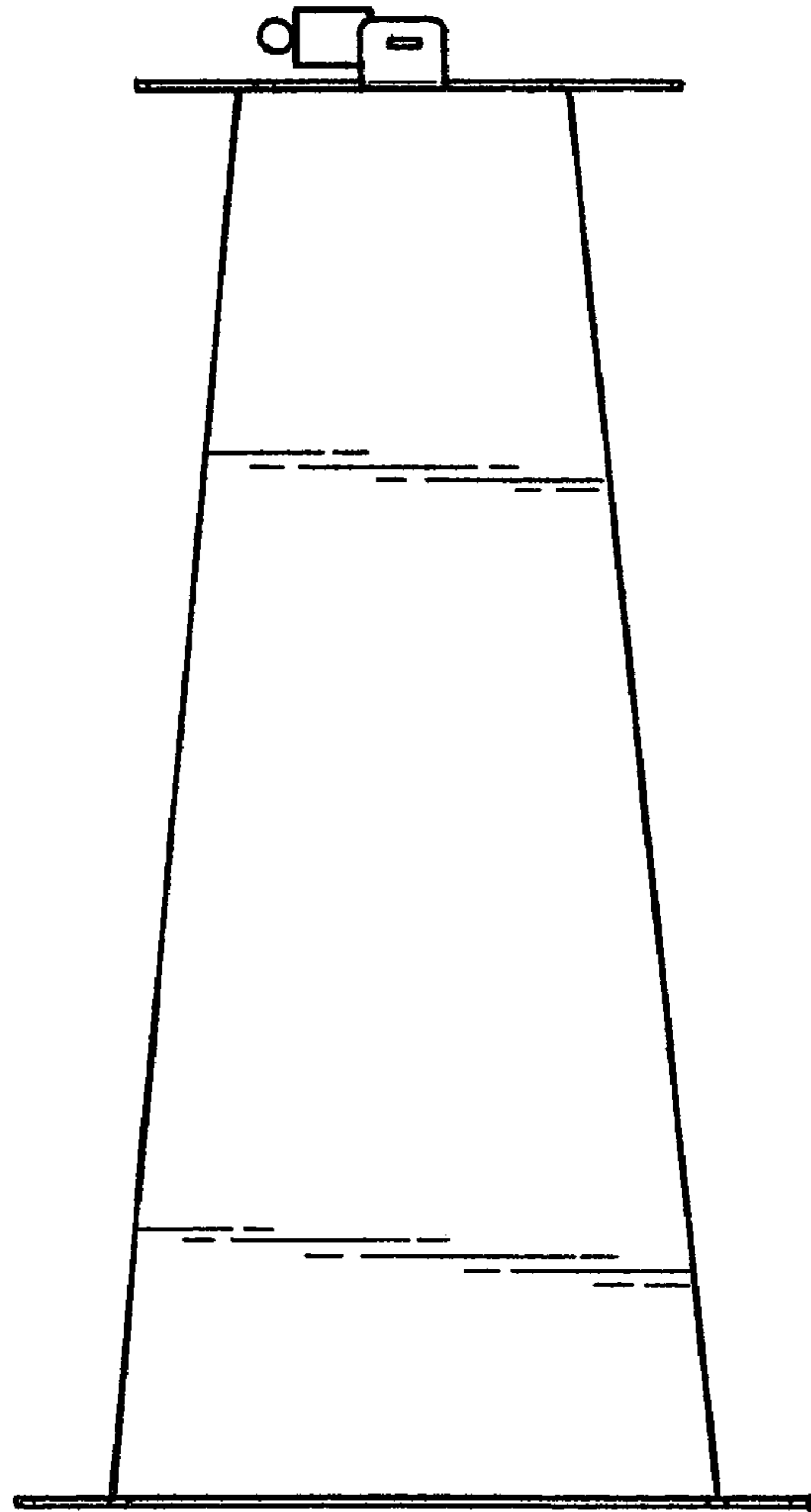


FIG 2

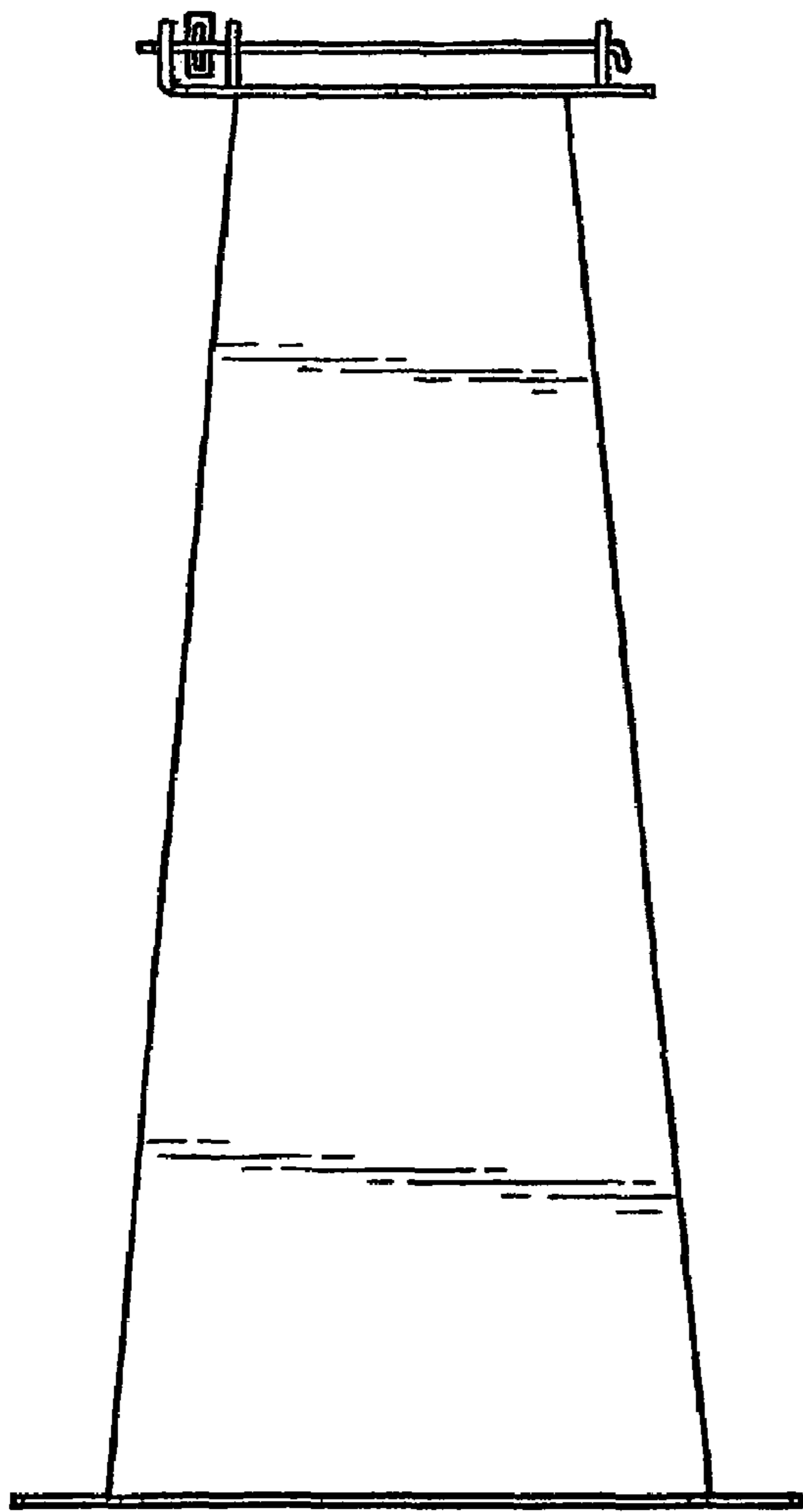


FIG 3

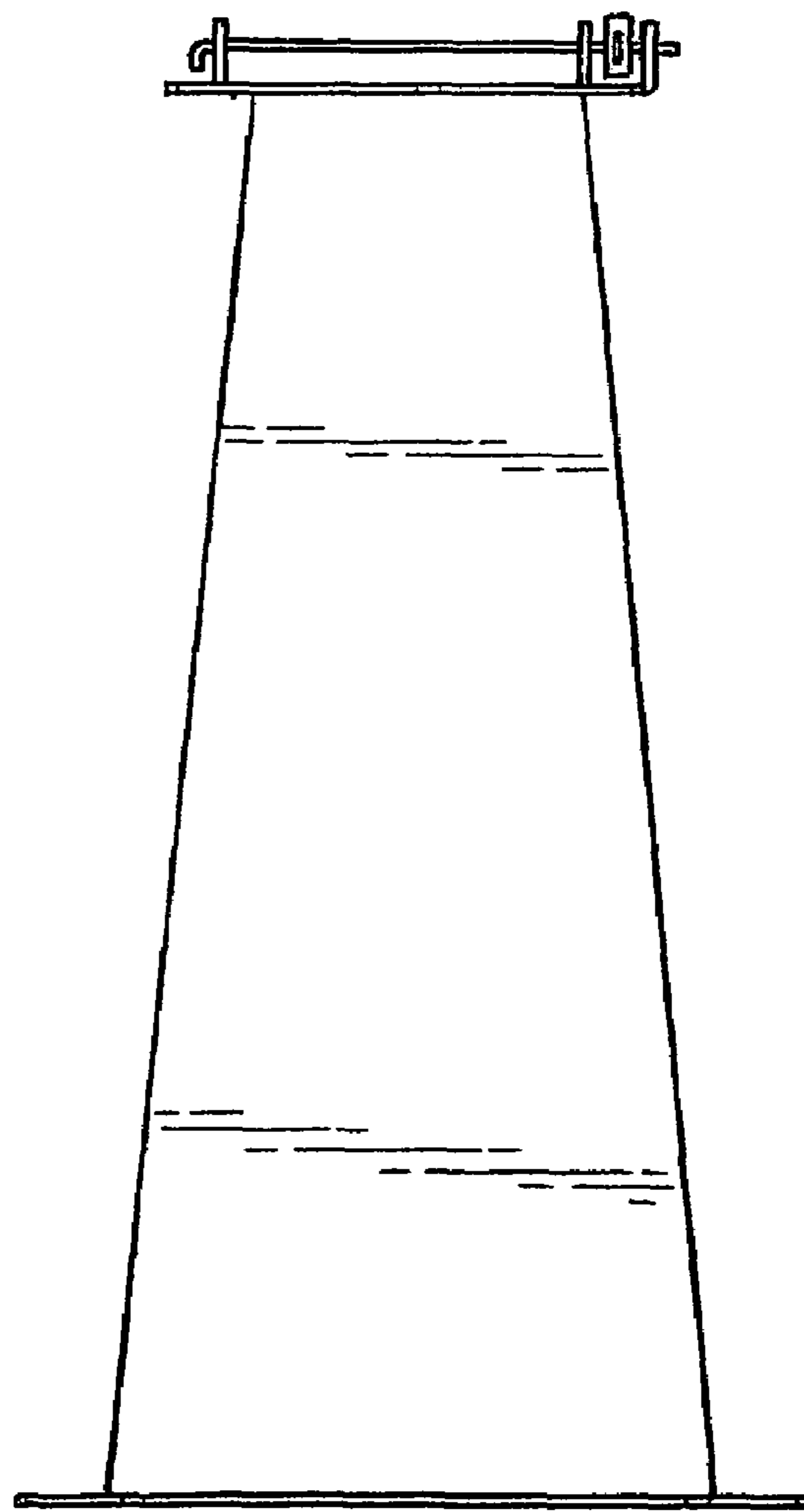


FIG 4

FIG 5

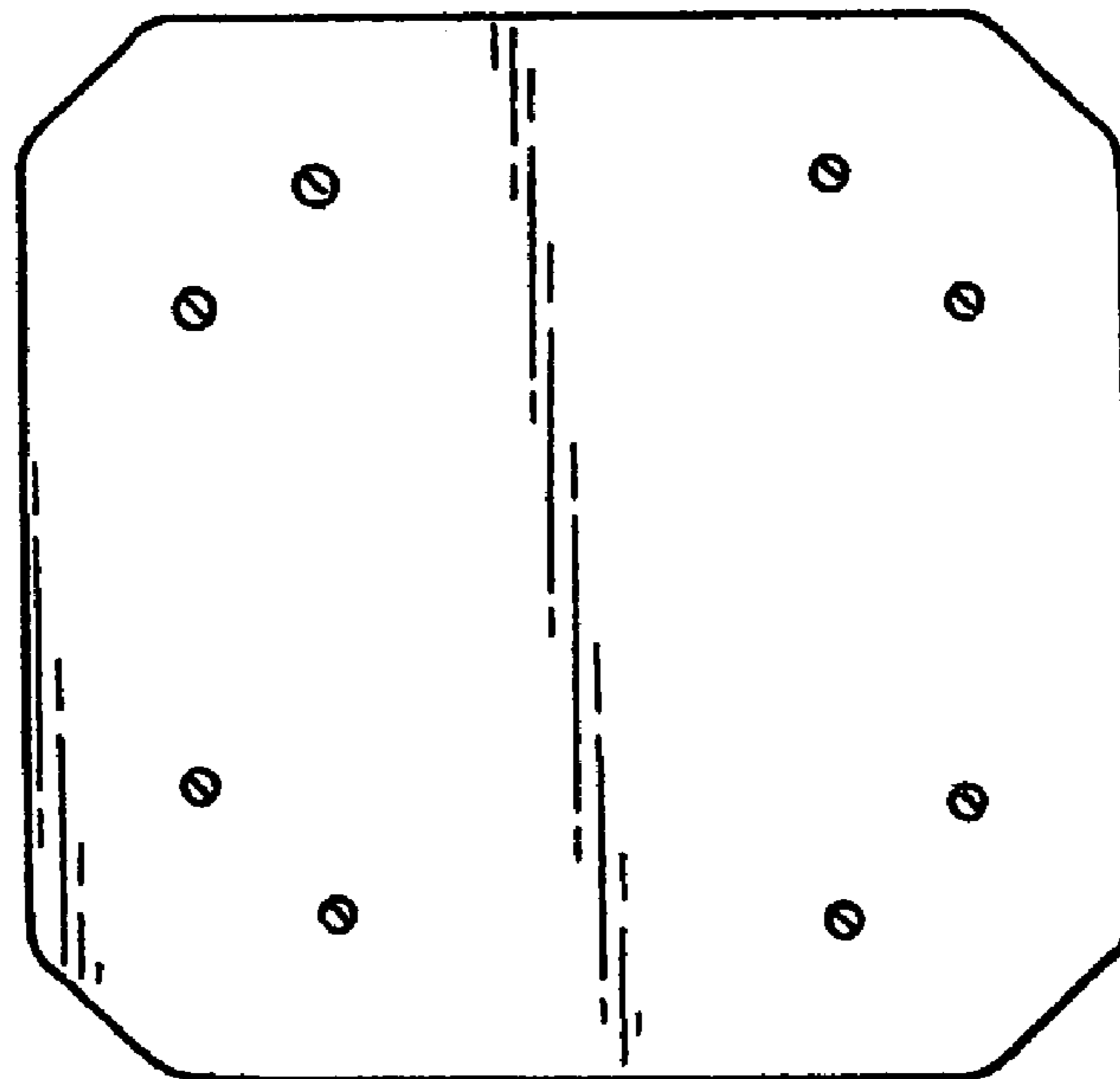
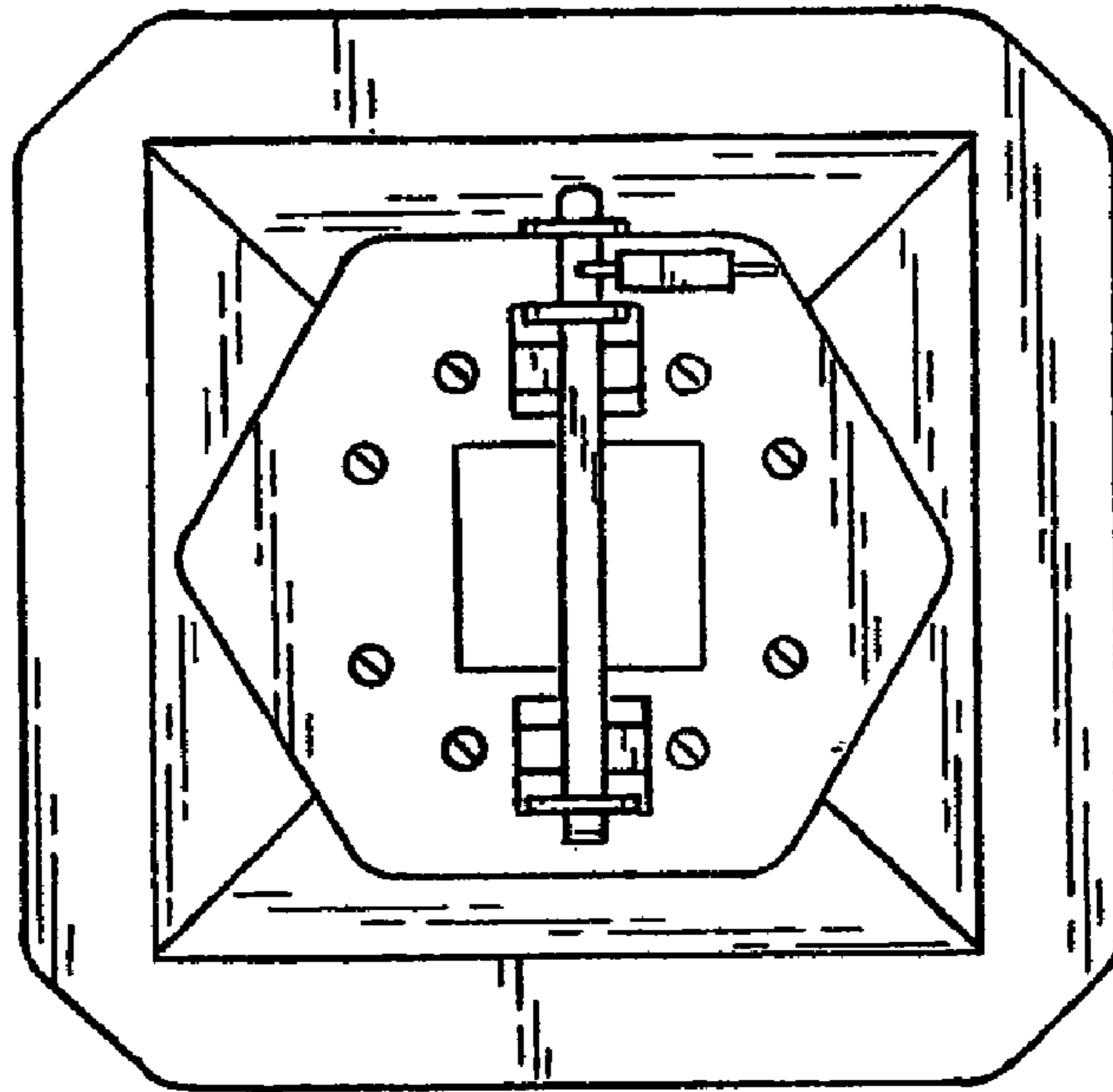


FIG 6

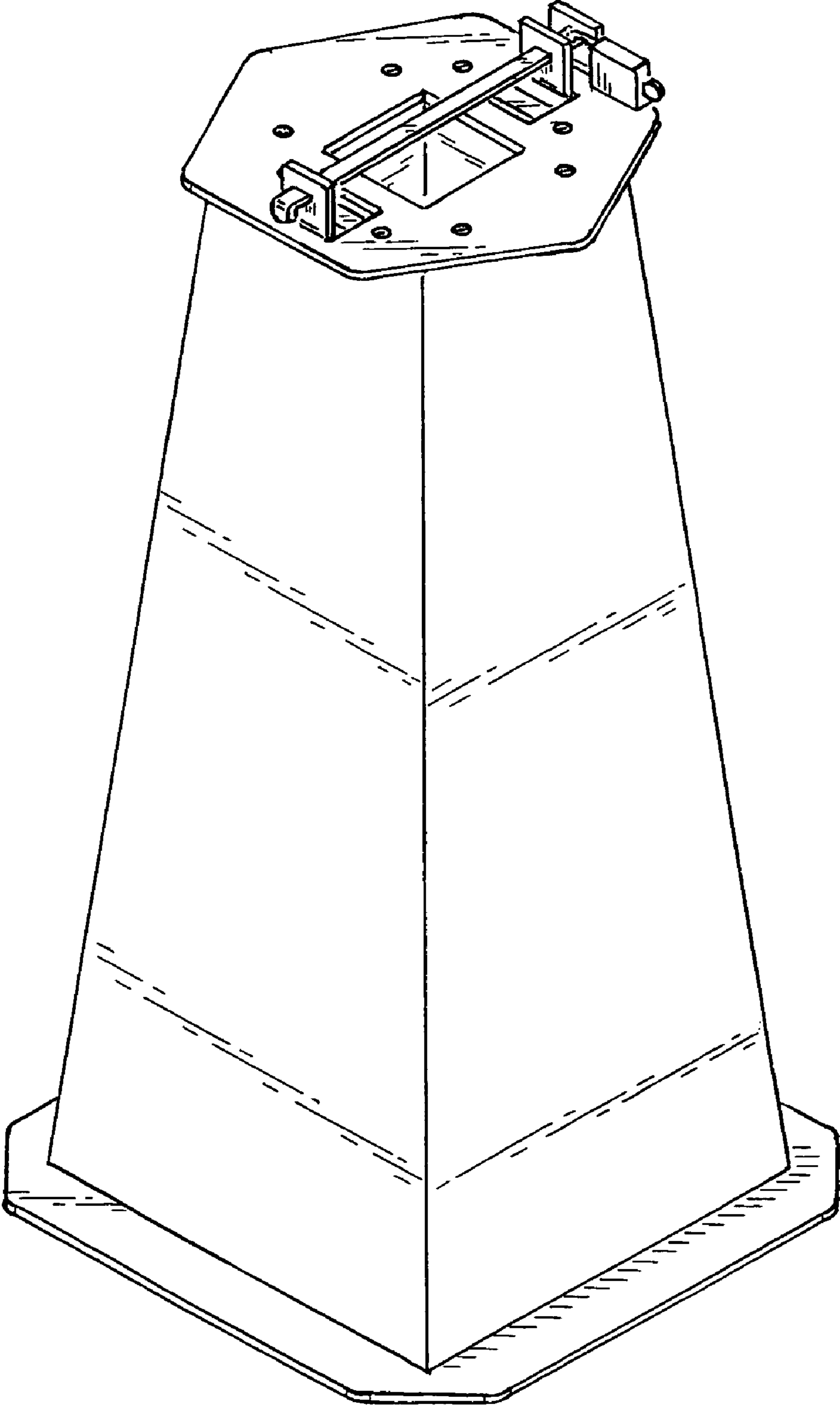


FIG 7