



US00D616034S

(12) **United States Design Patent**
Carlsson et al.

(10) **Patent No.:** **US D616,034 S**
(45) **Date of Patent:** **** May 18, 2010**

(54) **ROLL-UP DISPLAY CASSETTE**
(75) Inventors: **Stefan Carlsson**, Borås (SE); **Patrik Norström**, Borås (SE)
(73) Assignee: **Mark Bric Display AB**, Boras (SE)
(**) Term: **14 Years**
(21) Appl. No.: **29/346,914**
(22) Filed: **Nov. 9, 2009**

(30) **Foreign Application Priority Data**
May 11, 2009 (EM) 001136386-0001

(51) **LOC (9) Cl.** **20-03**
(52) **U.S. Cl.** **D20/43**
(58) **Field of Classification Search** D20/10,
D20/19, 39, 40, 42, 43, 99; 40/116, 117,
40/347, 385, 447, 452, 471, 478, 514, 518,
40/522, 529, 538, 541-544, 549, 584, 617,
40/618, 621, 624, 642.04; D10/104, 109;
248/449; 362/221, 812

See application file for complete search history.

(56) **References Cited**
U.S. PATENT DOCUMENTS

D468,362 S * 1/2003 Zarelius D20/99
6,571,496 B2 * 6/2003 Zarelius 40/514

6,755,551 B2 * 6/2004 Soorus et al. 362/221
D562,909 S * 2/2008 Meijer D20/43
D578,574 S * 10/2008 Lundgren D20/99
D592,706 S * 5/2009 Zarelius D20/43
D592,707 S * 5/2009 Zarelius D20/43
D598,501 S * 8/2009 Merner et al. D20/43
2002/0050083 A1 * 5/2002 Zarelius 40/514

* cited by examiner

Primary Examiner—Janice E Seeger
Assistant Examiner—Mary Ann Calabrese
(74) *Attorney, Agent, or Firm*—Renner, Otto, Boisselle & Sklar LLP

(57) **CLAIM**

The ornamental design for a roll-up display cassette, as shown and described.

DESCRIPTION

FIG. 1 is a reduced scale perspective view of a roll-up display cassette showing our design;
FIG. 2 is a reduced scale front view thereof;
FIG. 3 is a rear view thereof
FIG. 4 is a top view thereof
FIG. 5 is a bottom view thereof;
FIG. 6 is an enlarged left side view thereof; and,
FIG. 7 is a right side view thereof.

1 Claim, 3 Drawing Sheets

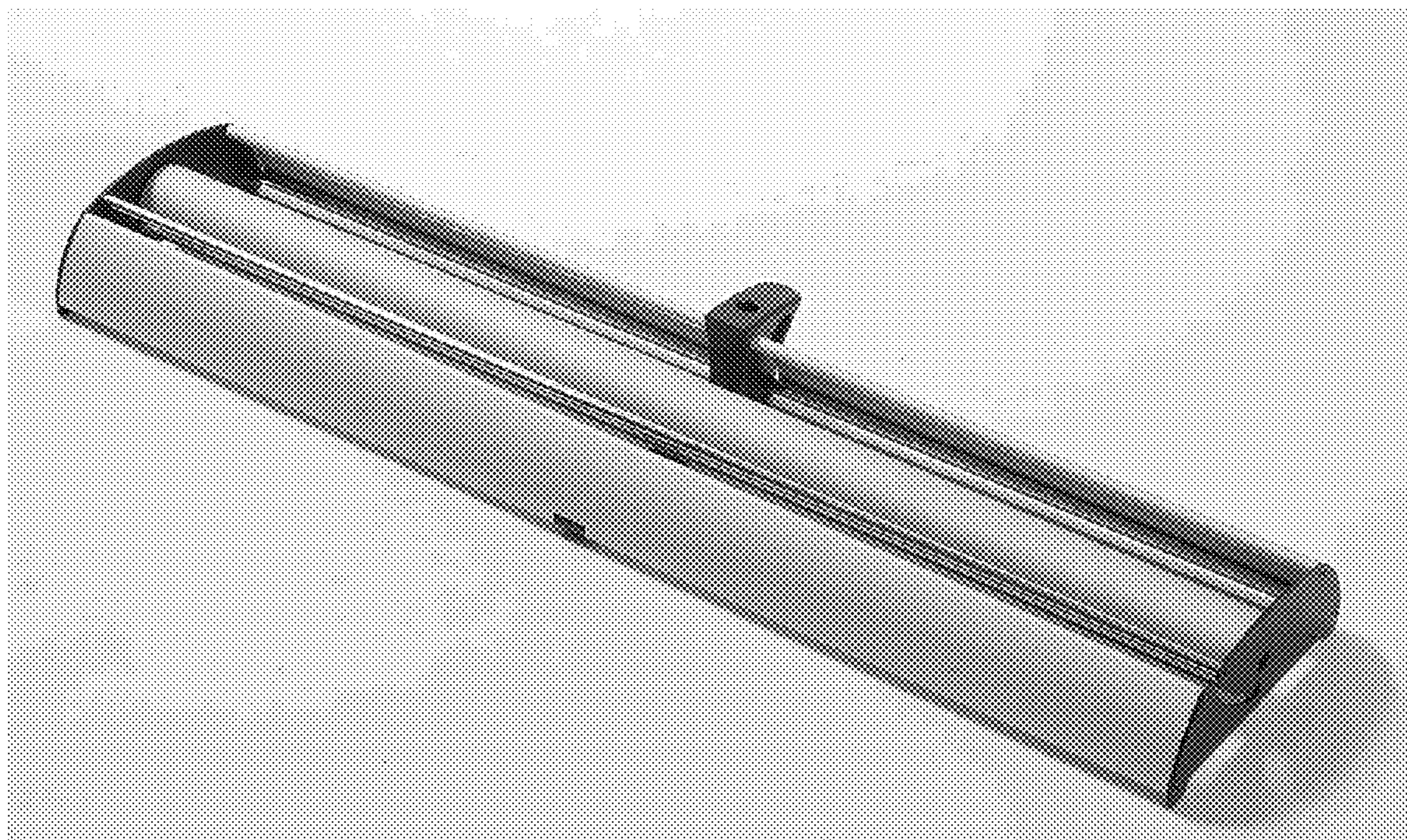




FIG. 1

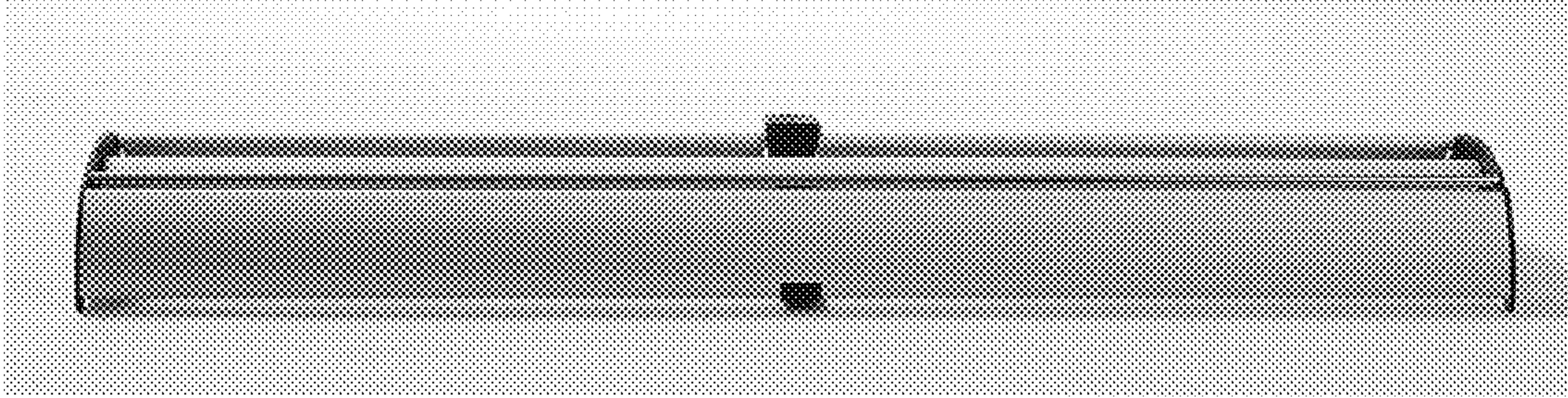


FIG. 2

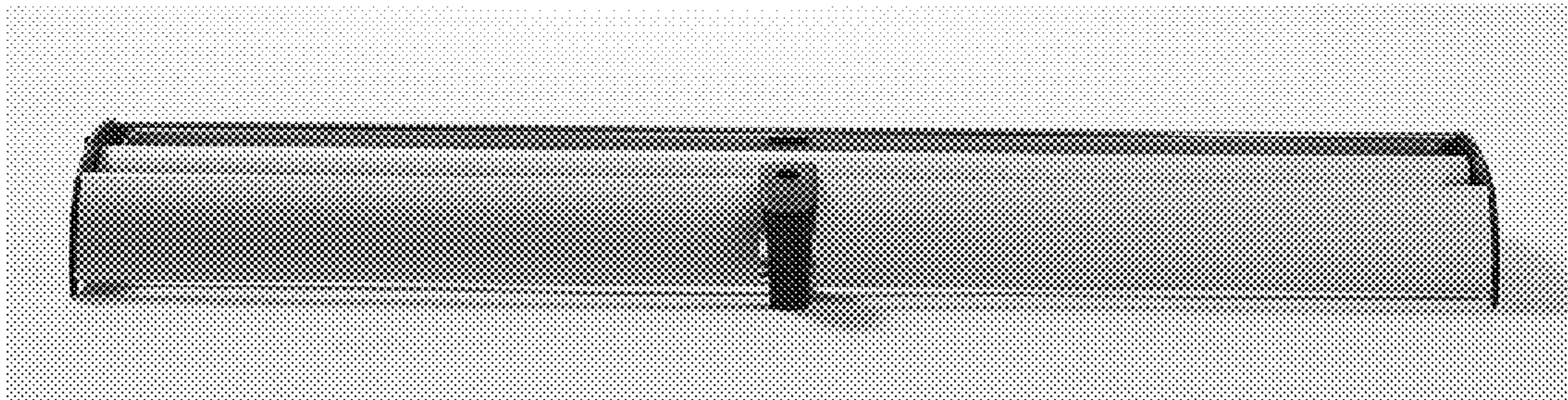


FIG. 3

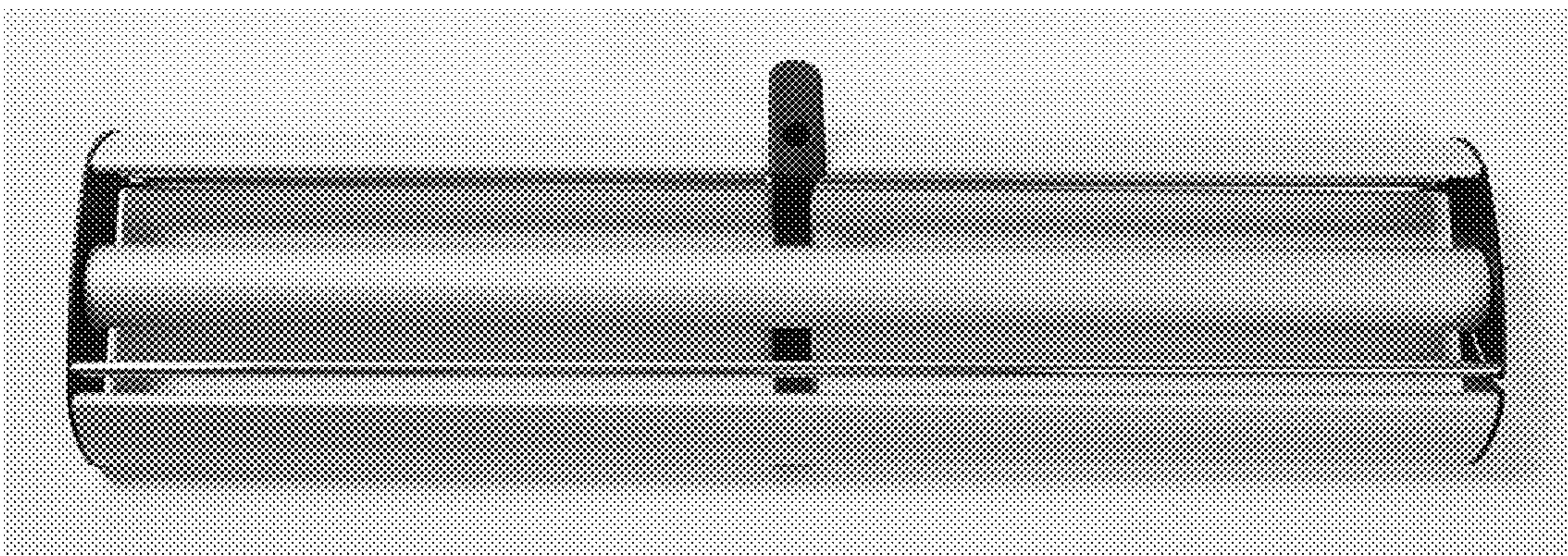


FIG. 4

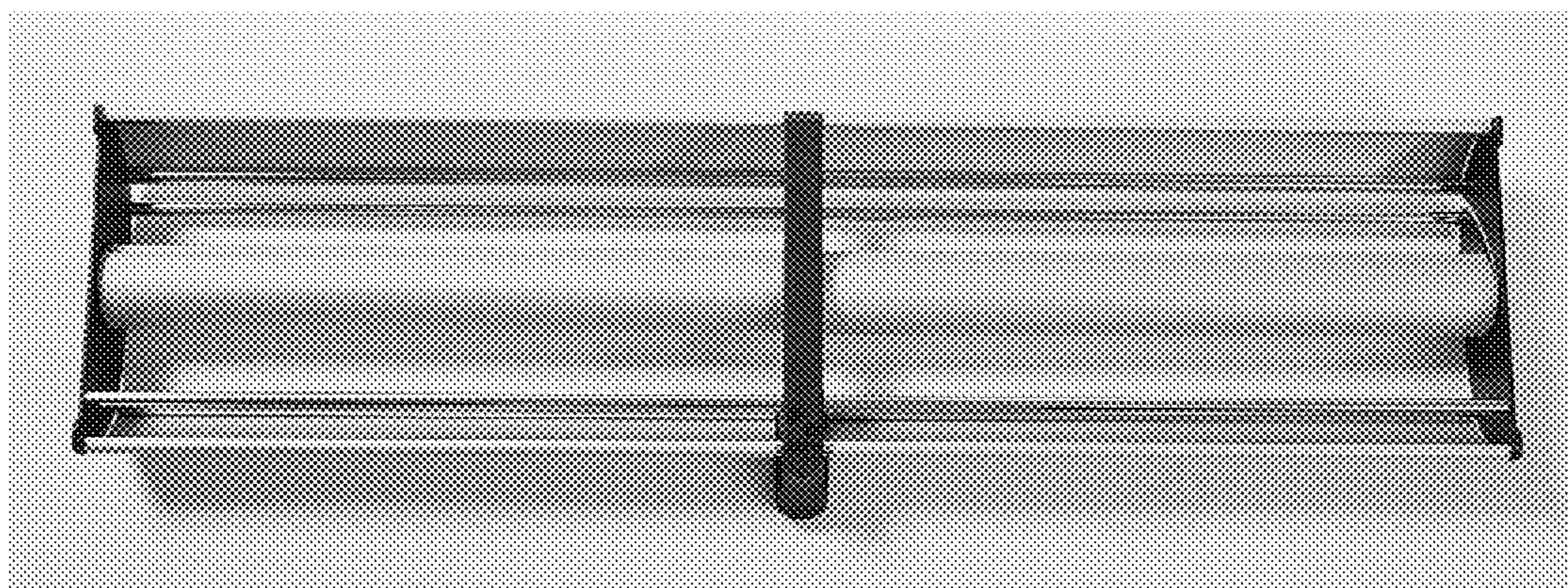


FIG. 5

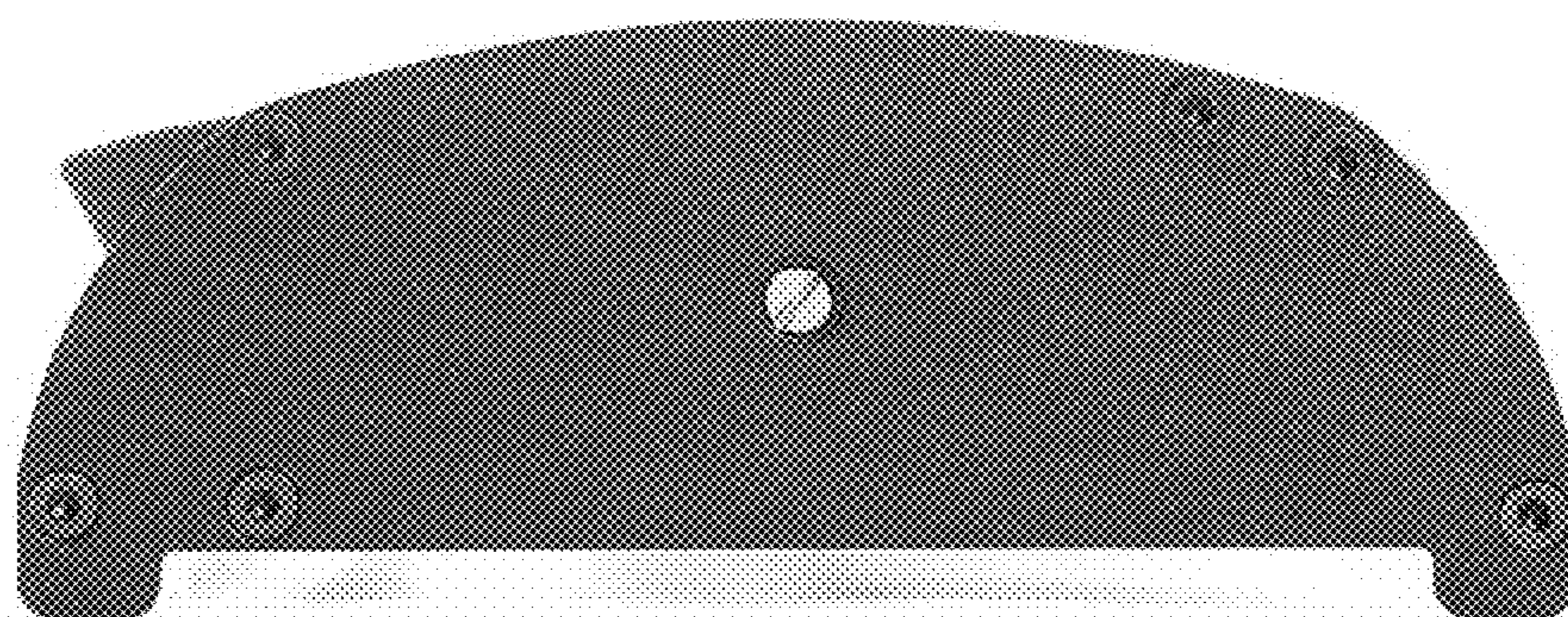


FIG. 6

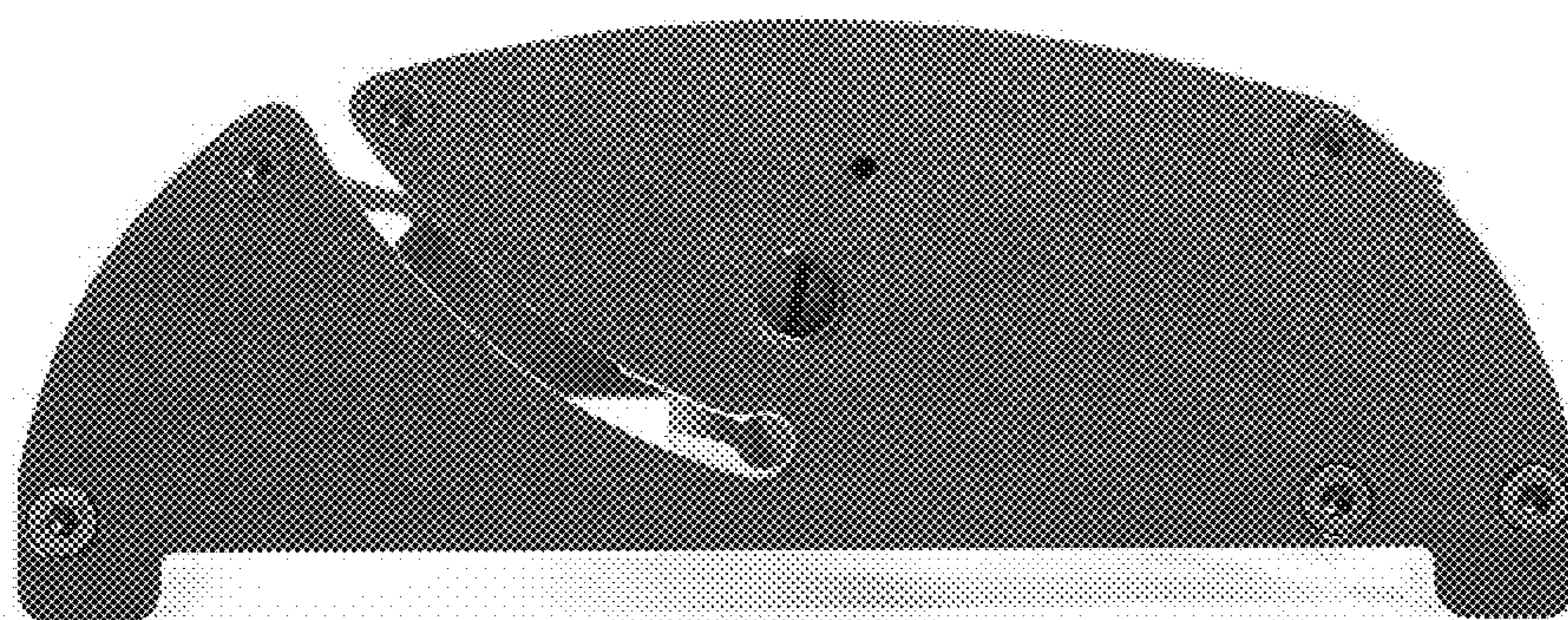


FIG. 7