



US00D616033S

(12) **United States Design Patent**
Kurmlavage

(10) **Patent No.:** **US D616,033 S**

(45) **Date of Patent:** **** May 18, 2010**

(54) **FOOD IDENTIFICATION DEVICE**

D586,405 S * 2/2009 Kurmlavage D20/43
D586,862 S * 2/2009 Healy et al. D20/43
D590,892 S * 4/2009 Healy et al. D20/43

(75) Inventor: **Michael M. Kurmlavage**, Lansdowne,
PA (US)

* cited by examiner

(73) Assignee: **Spirit Specialty Solutions, Inc.**,
Lansdowne, PA (US)

Primary Examiner—Janice E Seeger

Assistant Examiner—Mary Ann Calabrese

(74) *Attorney, Agent, or Firm*—Smith Patent Office

(**) Term: **14 Years**

(21) Appl. No.: **29/345,843**

(57) **CLAIM**

(22) Filed: **Oct. 22, 2009**

I claim the ornamental design for a food identification device,
as shown and described.

(51) **LOC (9) Cl.** **20-03**

(52) **U.S. Cl.** **D20/43**

(58) **Field of Classification Search** D20/10,
D20/19, 43, 44, 99; 40/324, 626, 642.02,
40/644, 649–652, 658, 661, 661.03, 661.09,
40/661.11, 662; D25/119, 121, 122

See application file for complete search history.

DESCRIPTION

FIG. 1 is a front perspective view of a food identification device showing my new design;

FIG. 2 is a rear perspective view thereof;

FIG. 3 is a top plan view thereof;

FIG. 4 is a front elevation view thereof;

FIG. 5 is a right side elevation view thereof;

FIG. 6 is a left side elevation view thereof;

FIG. 7 is a rear elevation view thereof; and,

FIG. 8 is a bottom plan view thereof.

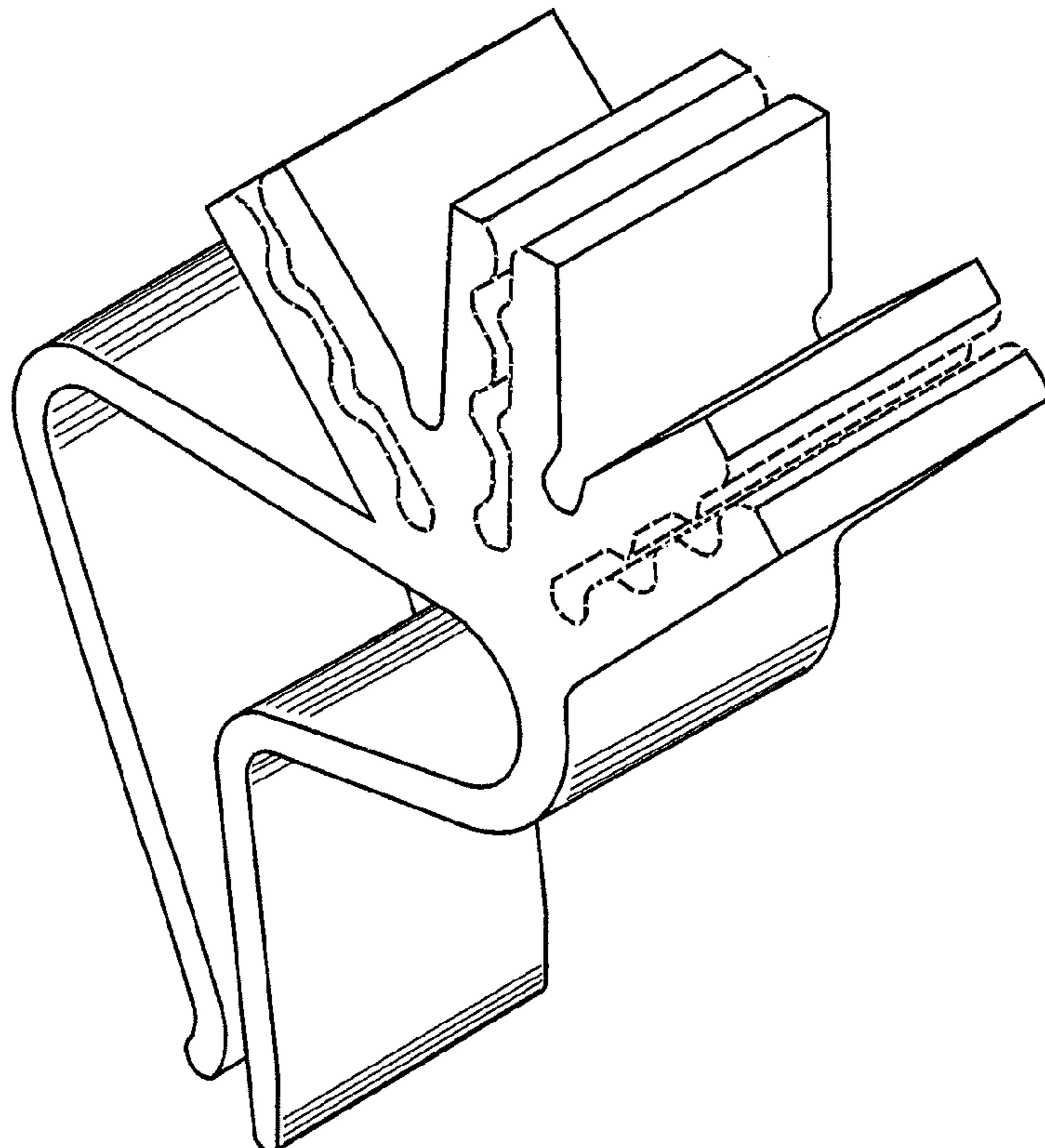
In the drawings, the broken lines represent features of the food identification device which form no part of the claimed design.

(56) **References Cited**

U.S. PATENT DOCUMENTS

4,882,862 A * 11/1989 Slavsky, Sr. 40/324
5,566,058 A * 10/1996 Protz, Jr. 362/396
D453,798 S * 2/2002 Gray D20/43
D487,115 S * 2/2004 Kosir D20/43
D511,548 S * 11/2005 Wamsley D20/43
D561,018 S * 2/2008 Frank D8/395
D577,387 S * 9/2008 Kurmlavage D20/43
D586,404 S * 2/2009 Kurmlavage D20/43

1 Claim, 3 Drawing Sheets



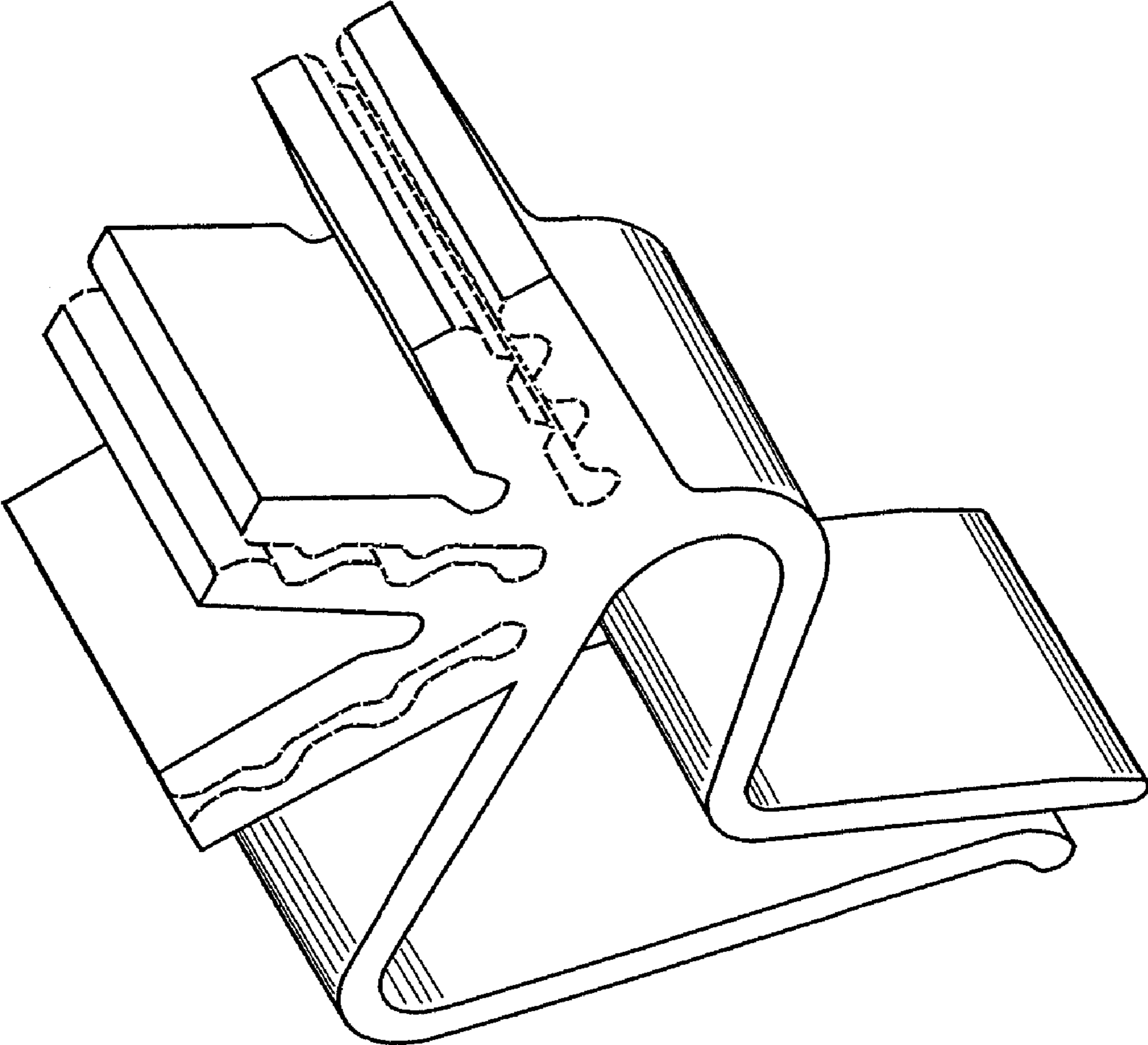


FIG. 1

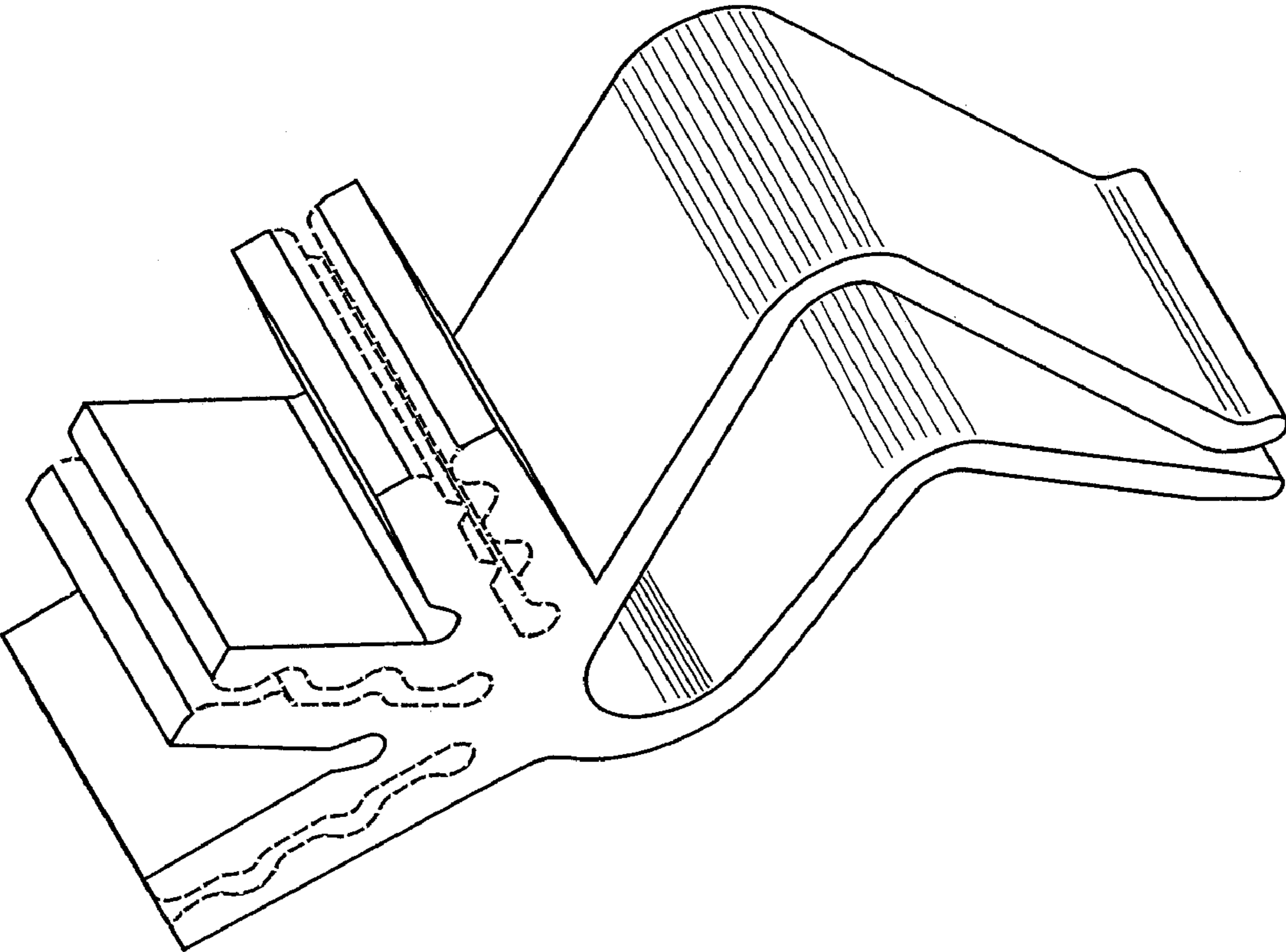


FIG. 2

