



US00D616032S

(12) **United States Design Patent**  
**Maraia**

(10) **Patent No.:** **US D616,032 S**

(45) **Date of Patent:** **\*\* May 18, 2010**

(54) **CLIP FOR IDENTIFYING ELONGATED OBJECTS**

D477,776 S \* 7/2003 Pontaoe ..... D8/396  
D559,530 S \* 1/2008 Bates et al. .... D3/207  
2004/0255501 A1 \* 12/2004 Lawrence et al. .... 40/665

(76) Inventor: **Micah L. Maraia**, 2920 Ingalls Rd.,  
Menomonie, WI (US) 54751

\* cited by examiner

(\*\*) Term: **14 Years**

*Primary Examiner*—Janice E Seeger

*Assistant Examiner*—Mary Ann Calabrese

(21) Appl. No.: **29/291,374**

(74) *Attorney, Agent, or Firm*—Albert W Davis, Jr.

(22) Filed: **Aug. 24, 2007**

(57) **CLAIM**

(51) **LOC (9) Cl.** ..... **19-08**

The ornamental design for a clip for identifying elongated objects, as shown and described.

(52) **U.S. Cl.** ..... **D20/28**

(58) **Field of Classification Search** ..... D20/10,  
D20/19, 22, 28, 43, 99; 40/299.01, 316,  
40/642.02, 660, 661, 661.05, 662, 665–667,  
40/673; D3/207; D8/349, 382, 394, 396;  
D28/82; 24/115 R, 129 R, 131 C, 132 R,  
24/132 WL, 455; 283/56, 81; D24/100,  
D24/101; D1/127; D21/386; 273/236; 424/464;  
473/587

**DESCRIPTION**

See application file for complete search history.

FIG. 1 is a top perspective view of the clip for identifying elongated objects showing my new design;  
FIG. 2 is a bottom perspective view thereof;  
FIG. 3 is a top view thereof;  
FIG. 4 is a bottom view thereof;  
FIG. 5 is an enlarged right side view thereof;  
FIG. 6 is a left side view thereof;  
FIG. 7 is a front view thereof; and,  
FIG. 8 is a back view thereof.

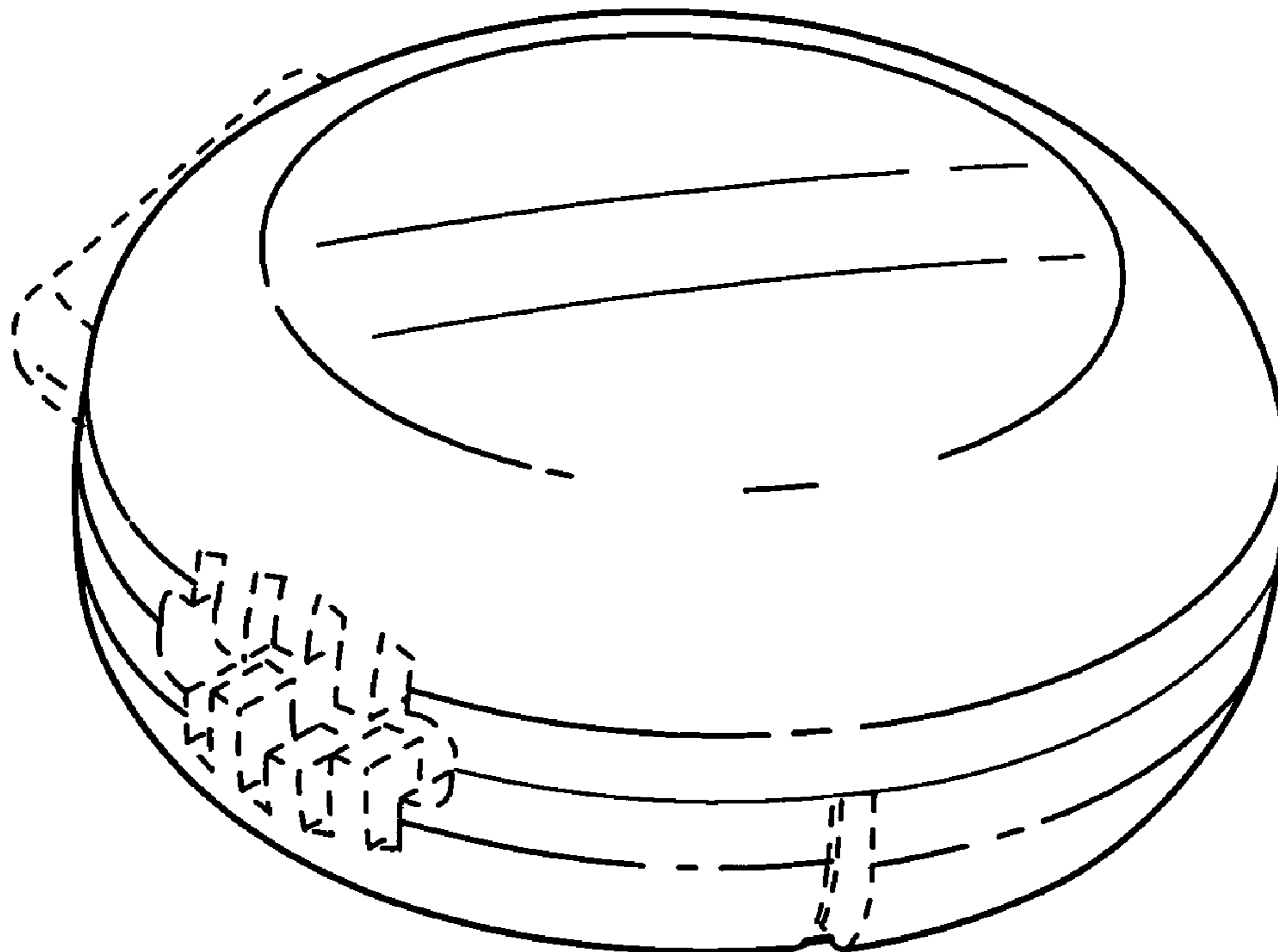
(56) **References Cited**

**U.S. PATENT DOCUMENTS**

3,048,526 A \* 8/1962 Boswell ..... 424/472  
3,187,396 A \* 6/1965 Carroll ..... 24/115 R  
3,257,696 A \* 6/1966 Miller et al. .... 24/116 A  
4,584,858 A \* 4/1986 Wolter ..... 70/456 R  
6,471,991 B2 \* 10/2002 Robinson et al. .... 424/464  
D468,058 S \* 12/2002 Thorpe ..... D28/82

The broken line representations of portions of the remainder of the clip for identifying elongated objects in FIGS. 1–8 form no part of the claimed design.

**1 Claim, 4 Drawing Sheets**



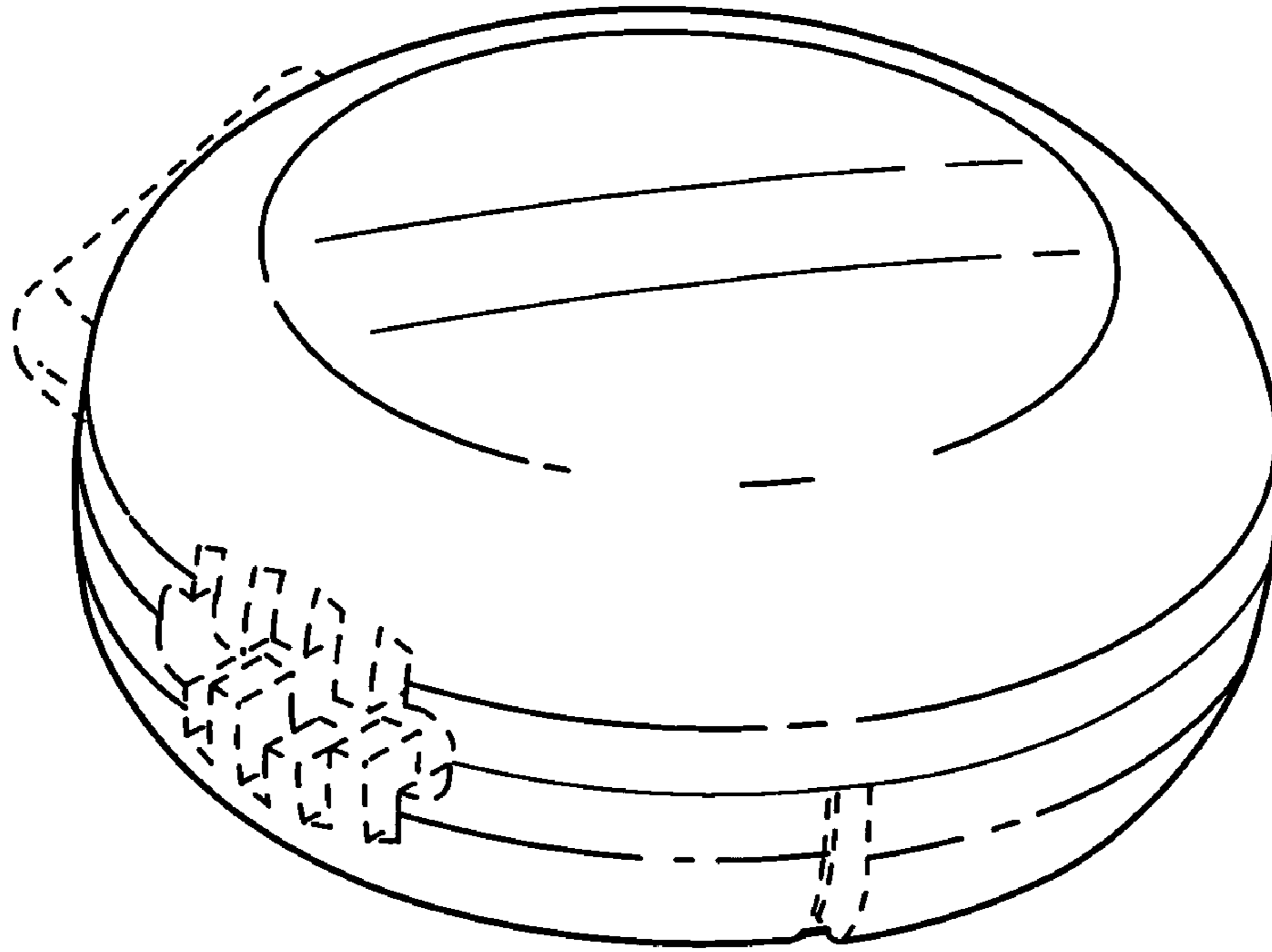


Fig. 1

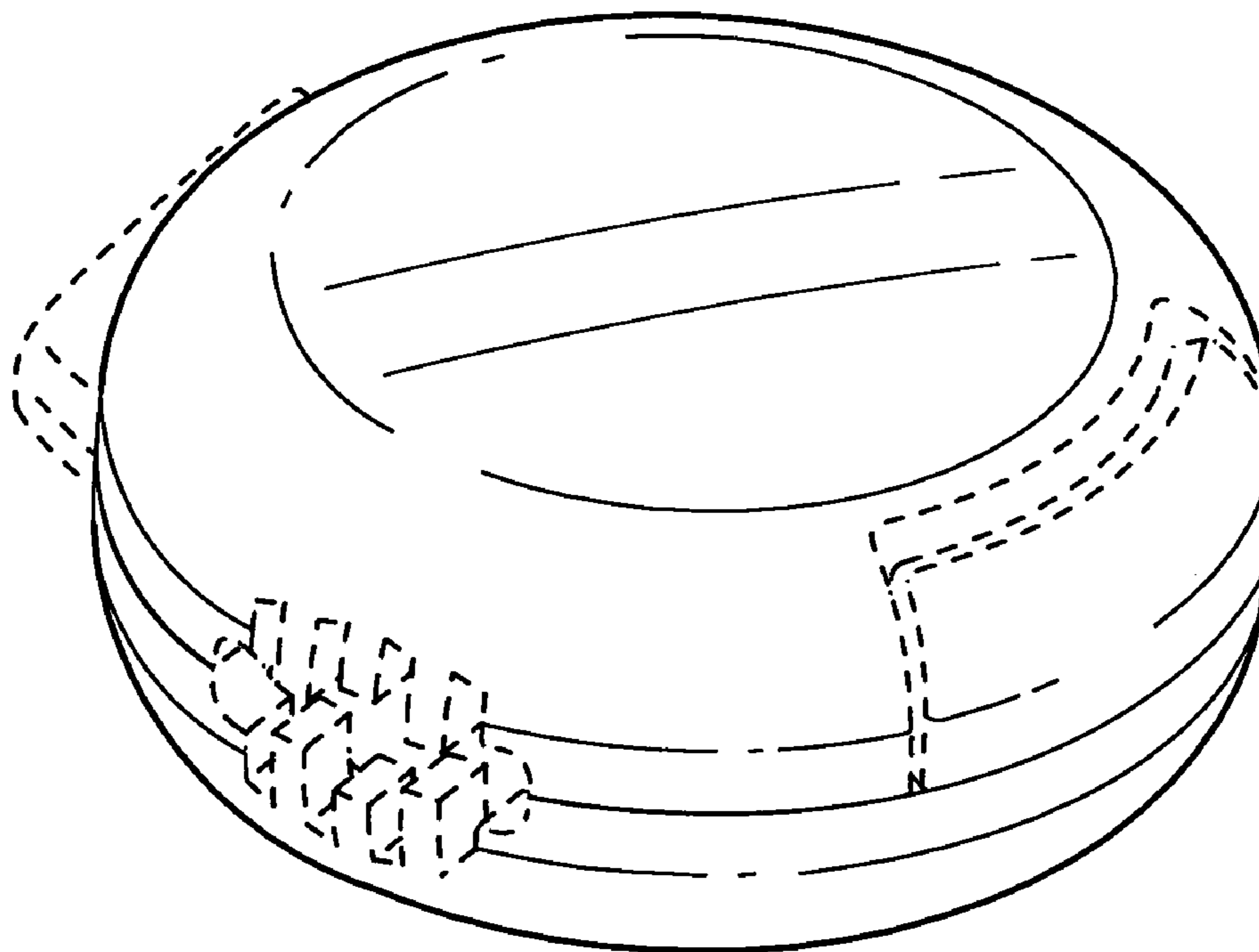


Fig. 2

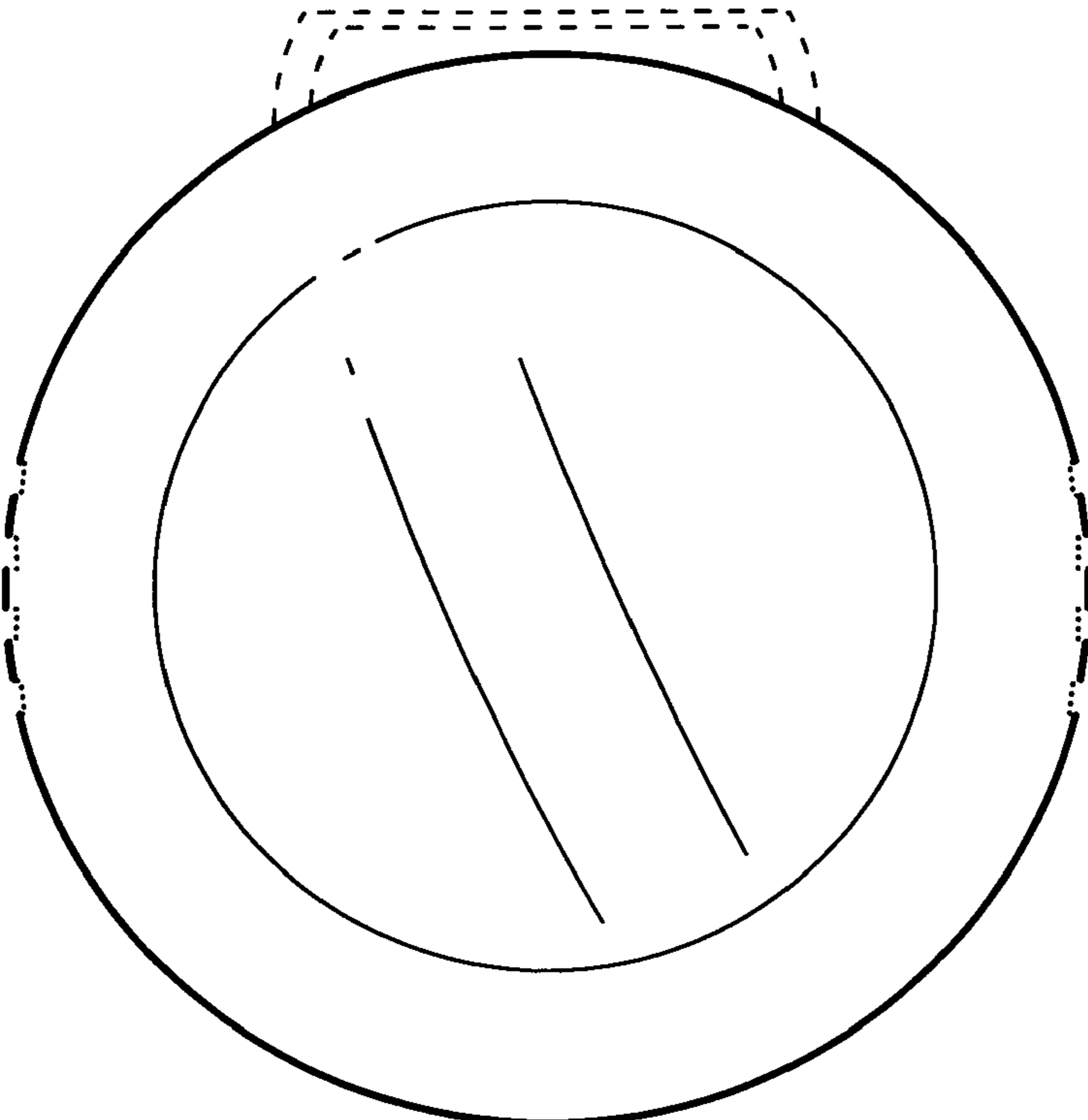


Fig. 3

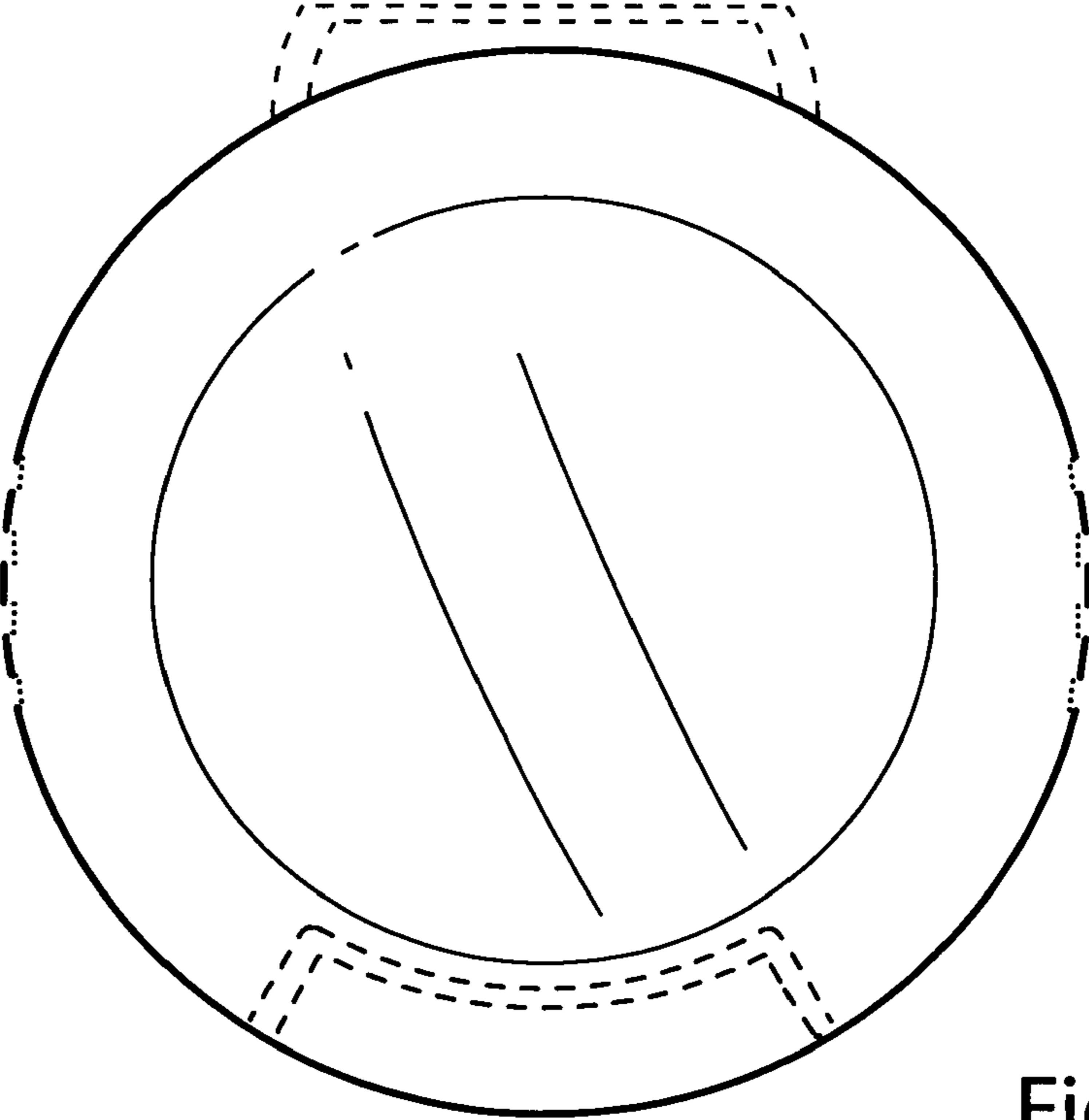


Fig. 4

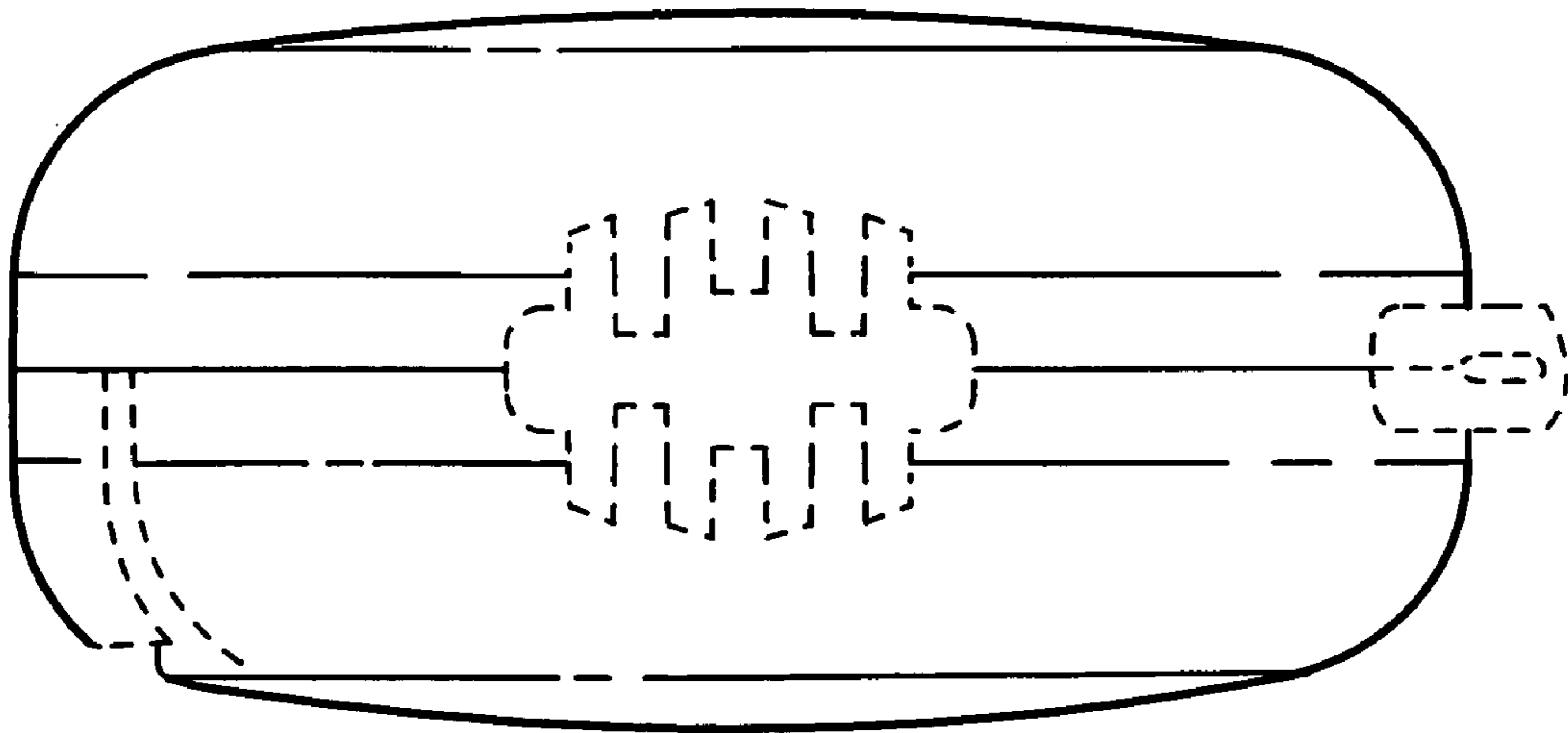


Fig. 5

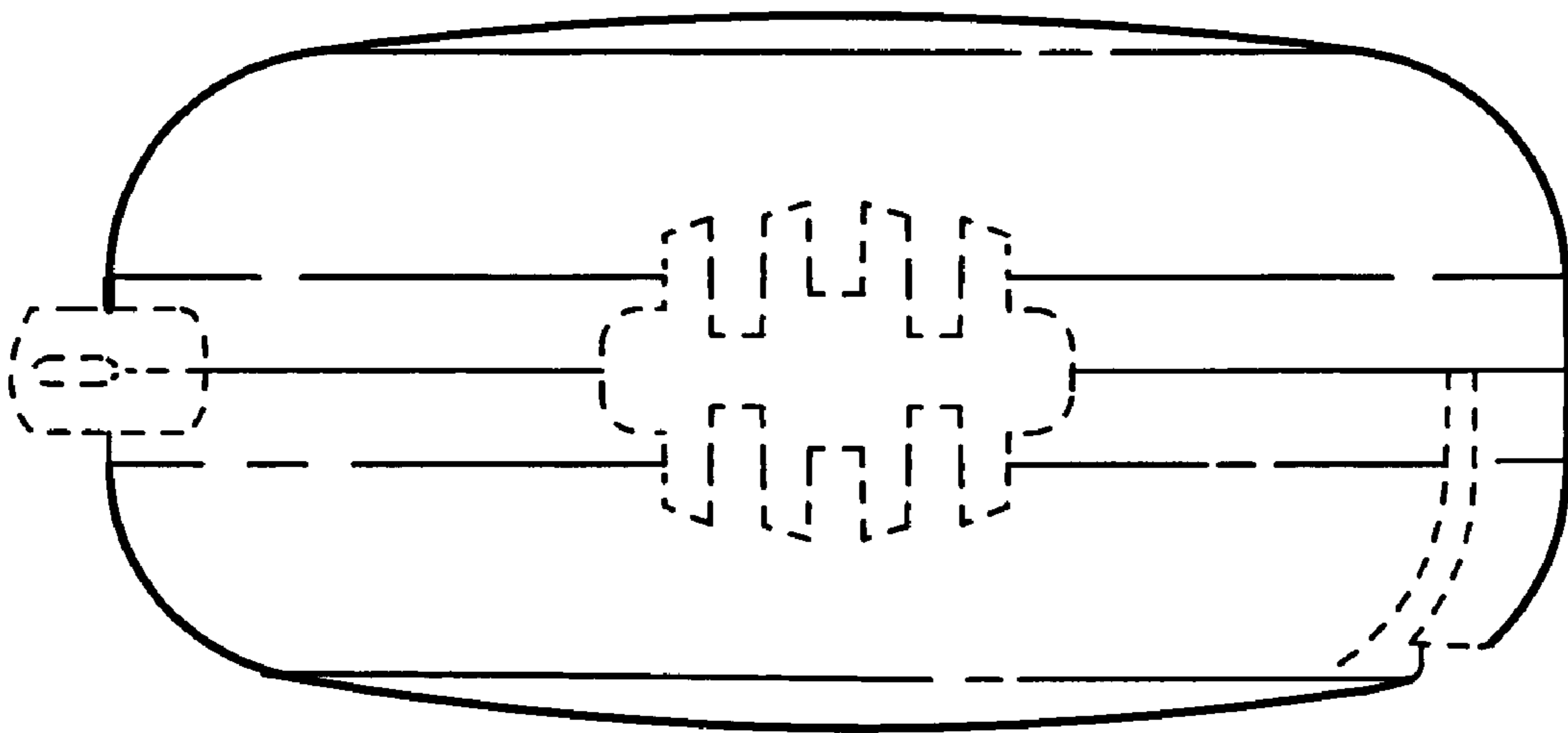


Fig. 6

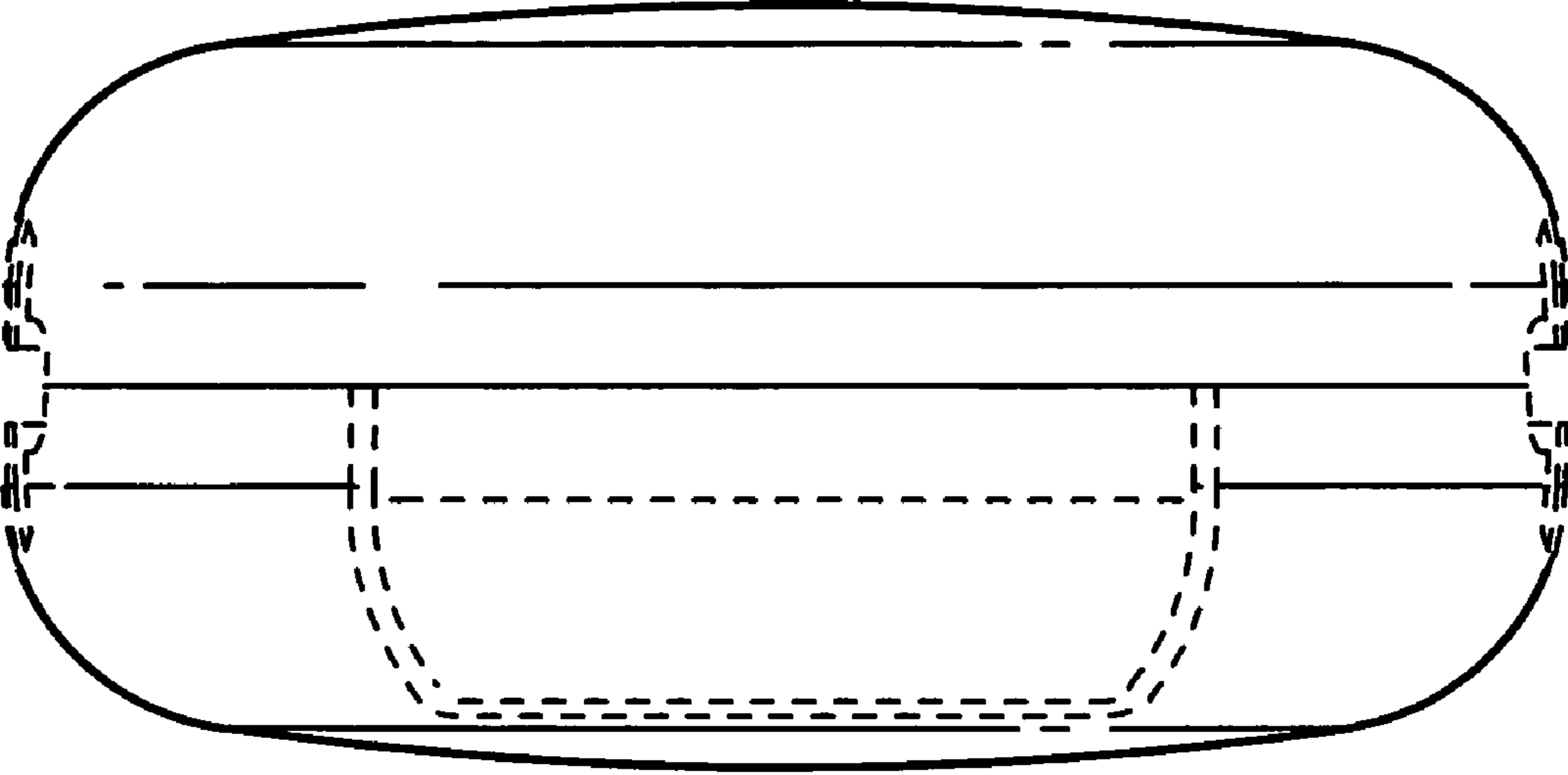


Fig. 7

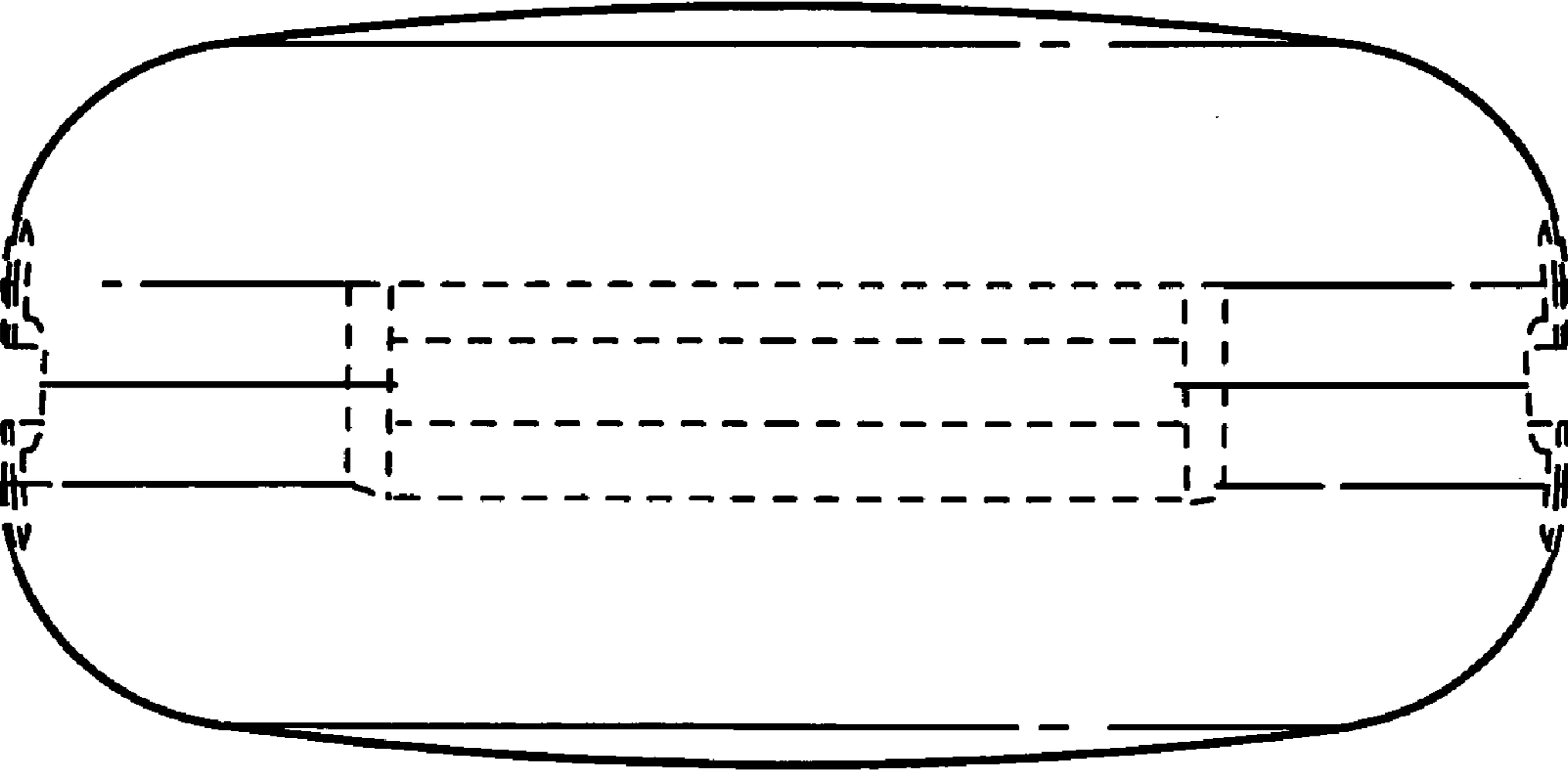


Fig. 8