



US00D616030S

(12) **United States Design Patent**  
**Mallard**

(10) **Patent No.:** **US D616,030 S**  
(45) **Date of Patent:** **\*\* May 18, 2010**

(54) **MOBILE SIGN TRAILER**

2004/0049960 A1\* 3/2004 Percy ..... 40/590

(75) Inventor: **Neil Mallard**, Lake Worth, FL (US)

(73) Assignee: **Signtow, Inc.**, Lake Worth, FL (US)

(\*\*) Term: **14 Years**

(21) Appl. No.: **29/346,907**

(22) Filed: **Nov. 9, 2009**

(51) **LOC (9) Cl.** ..... **20-03**

(52) **U.S. Cl.** ..... **D20/19; D20/39; D12/101**

(58) **Field of Classification Search** ..... D20/10,  
D20/19, 39-42, 99; 40/446, 447, 452, 453,  
40/538, 541, 584, 588-591, 606.02; D10/104,  
D10/109; D12/101, 400; 596/21; 362/812  
See application file for complete search history.

(56) **References Cited**

**U.S. PATENT DOCUMENTS**

D219,860	S	*	2/1971	Jones et al.	.....	D20/10
3,798,814	A	*	3/1974	Harmon	.....	40/590
D242,581	S	*	11/1976	Morris, Jr.	.....	D20/10
4,077,144	A	*	3/1978	Smits	.....	40/590
4,571,868	A	*	2/1986	Forestal	.....	40/590
6,036,250	A	*	3/2000	Glatter	.....	296/21
6,119,384	A	*	9/2000	Fischer	.....	40/606.02
D555,044	S	*	11/2007	Balscheit	.....	D12/101
7,617,626	B2	*	11/2009	Balscheit	.....	40/590

**OTHER PUBLICATIONS**

Billboard Trailer—Sign Tow, © 2001 - 2008—www.comertia.com, http://www.comertia.com/wholesale-products/billboard\_9175.htm, pulled from the web Jan. 7, 2010.\*

Mobil Billboard Trailer, © 2007 Midwest Mobile Billboards, http://www.midwestmobilebillboards.com/trailer.html, pulled from the web Jan. 7, 2010.\*

\* cited by examiner

*Primary Examiner*—Janice E Seeger

*Assistant Examiner*—Mary Ann Calabrese

(74) *Attorney, Agent, or Firm*—Mchale & Slavin, P.A.

(57) **CLAIM**

The ornamental design for a mobile sign trailer, as shown and described.

**DESCRIPTION**

FIG. 1 is a rear perspective view of the mobile sign trailer of the instant invention;

FIG. 2 is a rear view thereof;

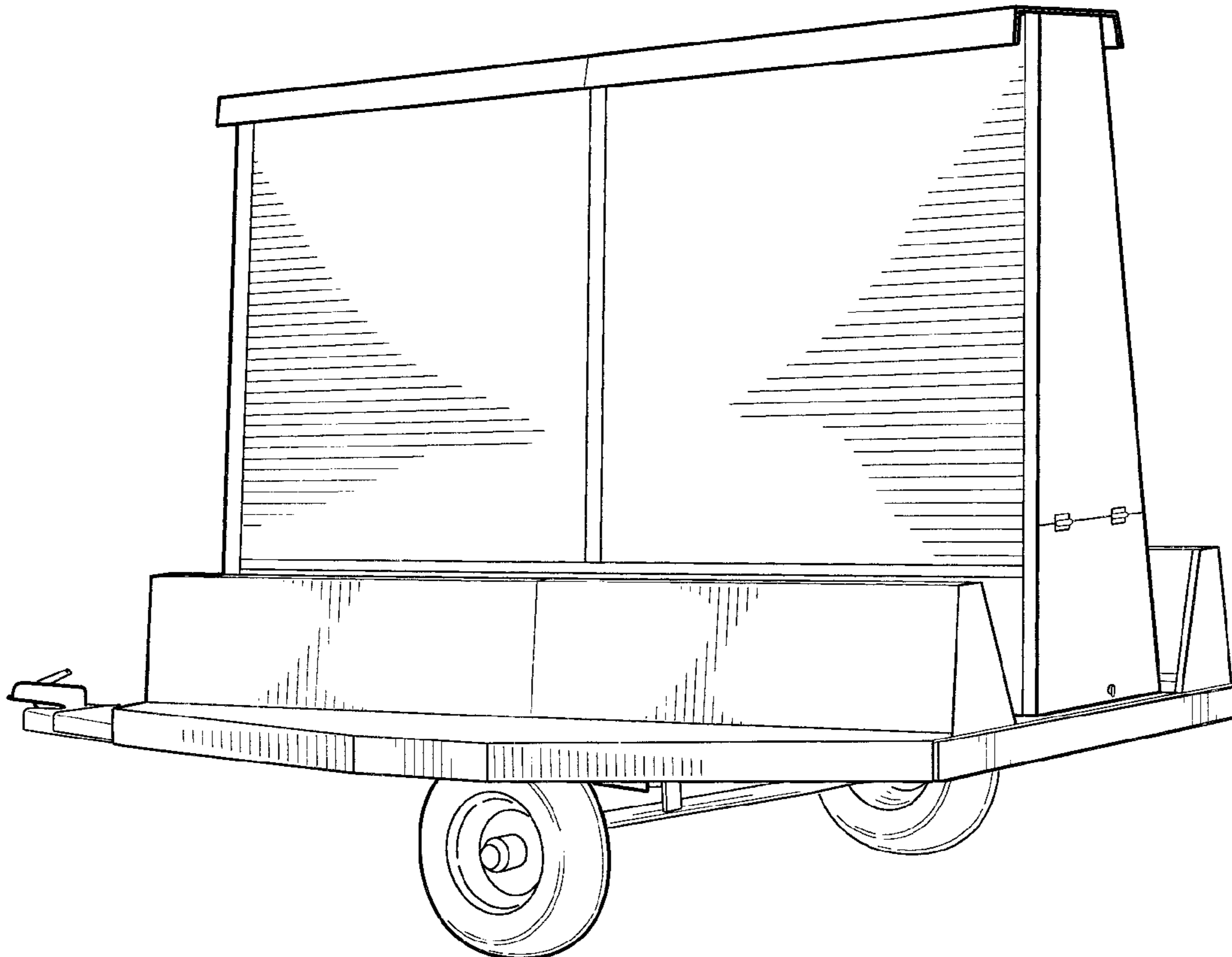
FIG. 3 is a front view thereof;

FIG. 4 is a right side view thereof;

FIG. 5 is a left side view thereof; and,

FIG. 6 is a top view thereof.

**1 Claim, 6 Drawing Sheets**



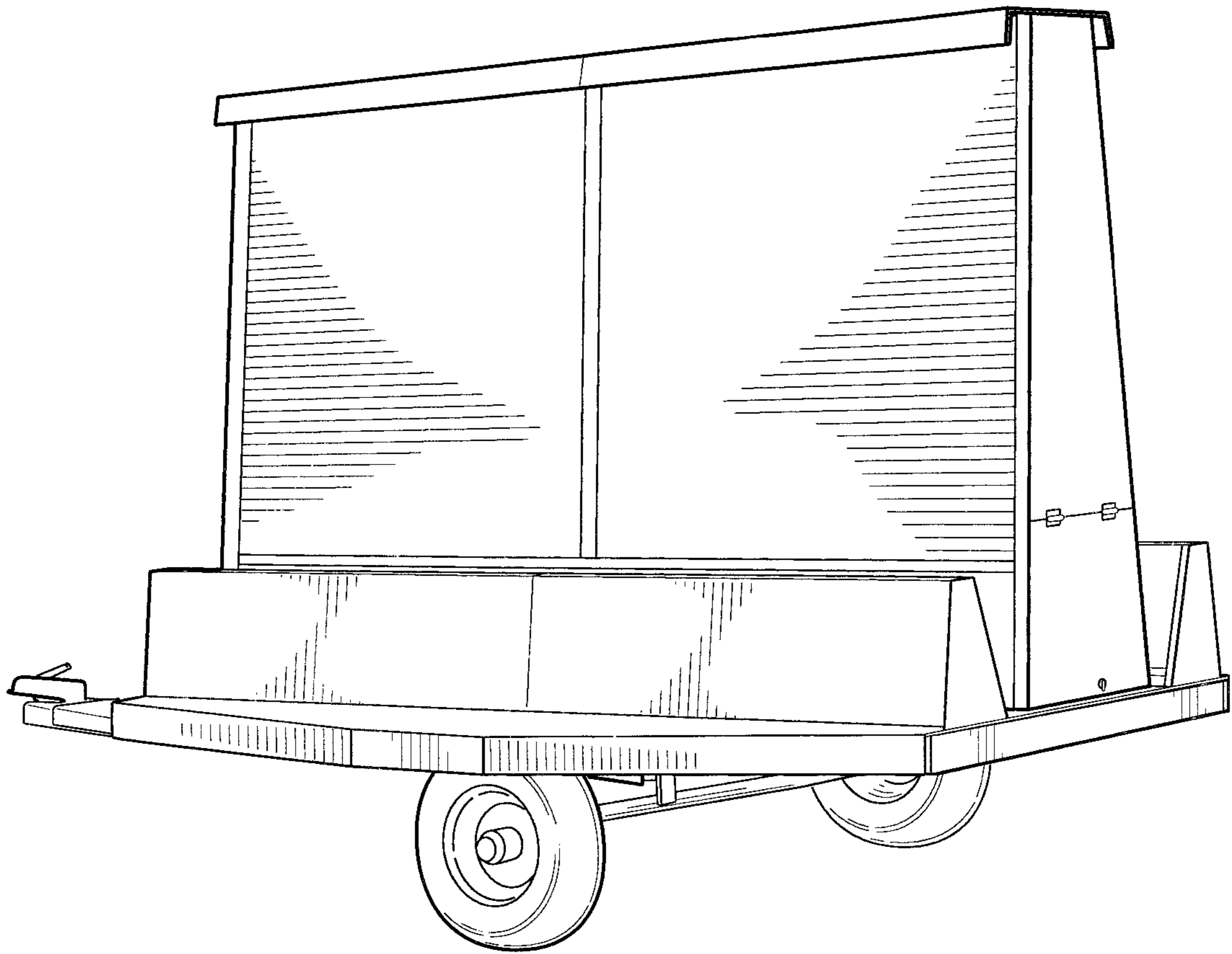
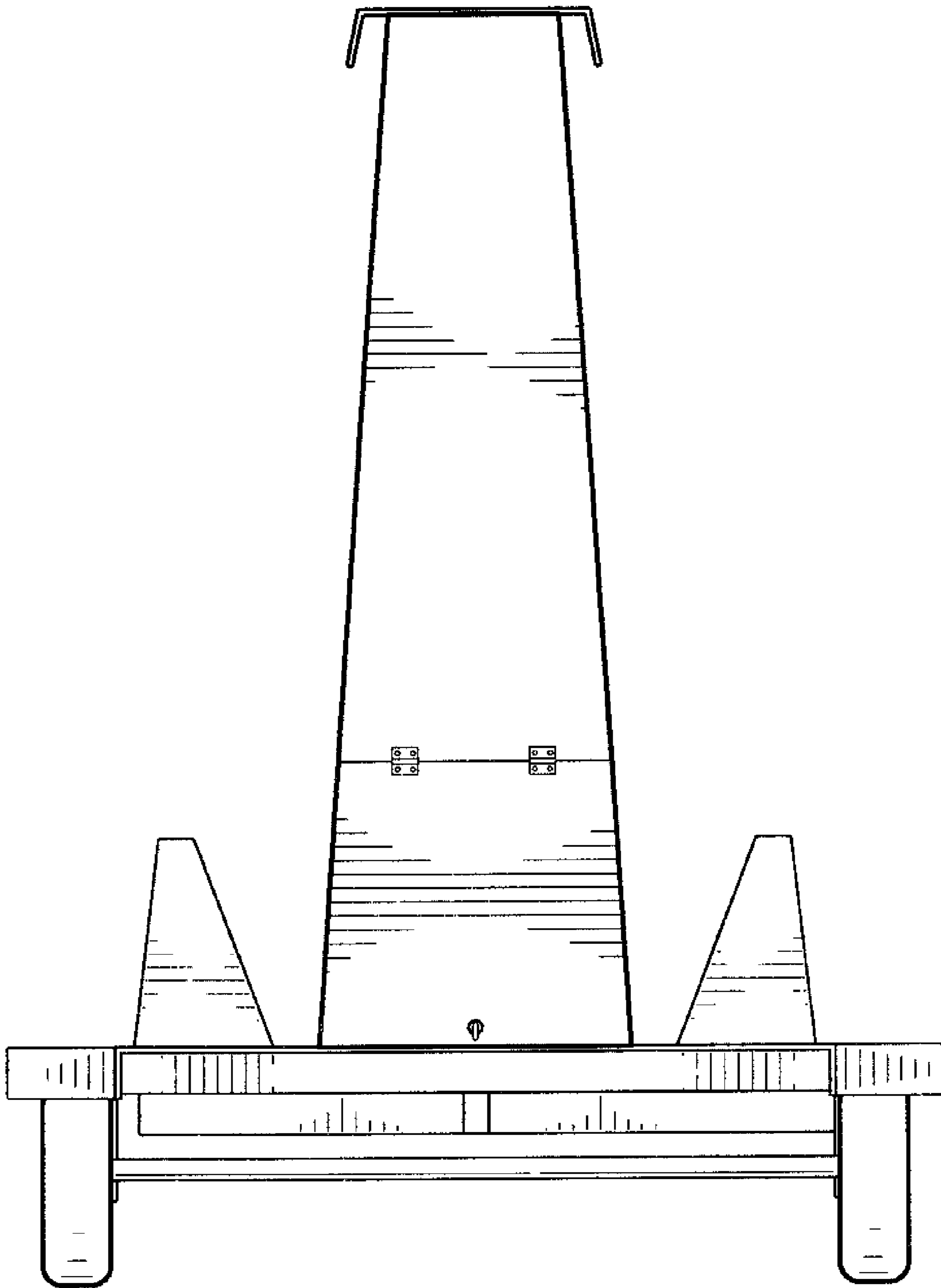
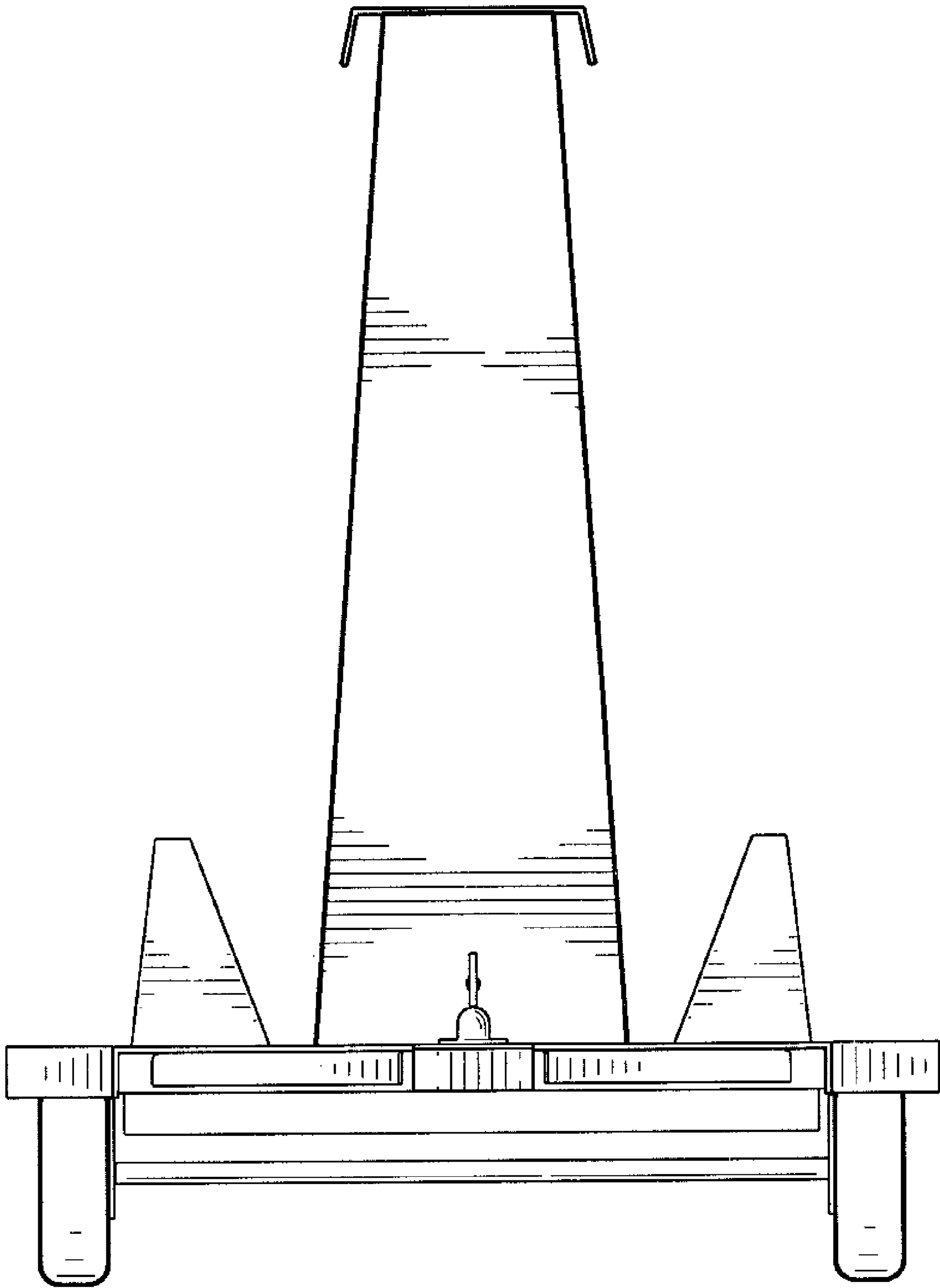


FIG. 1



**FIG. 2**



**FIG. 3**

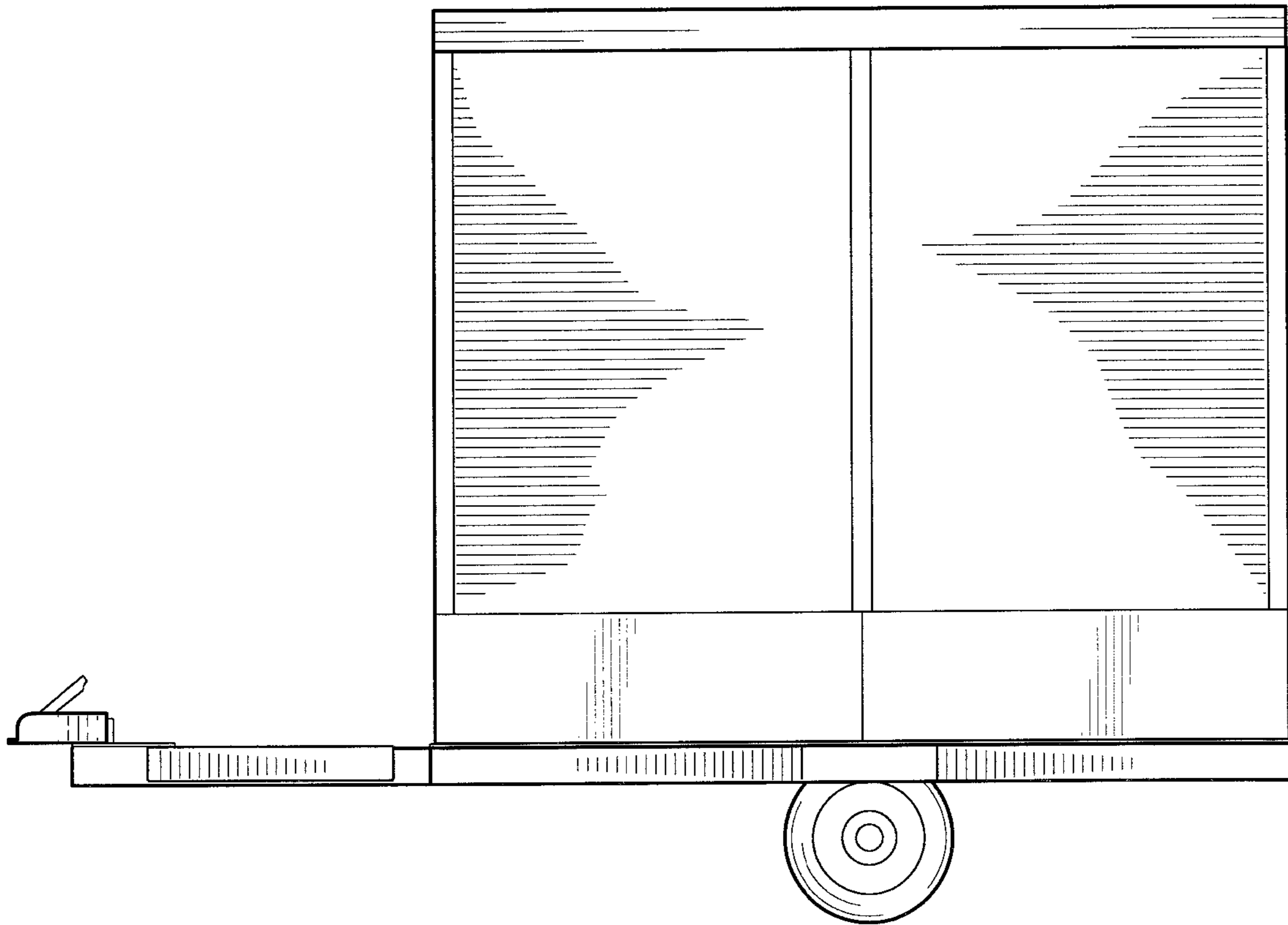


FIG. 4

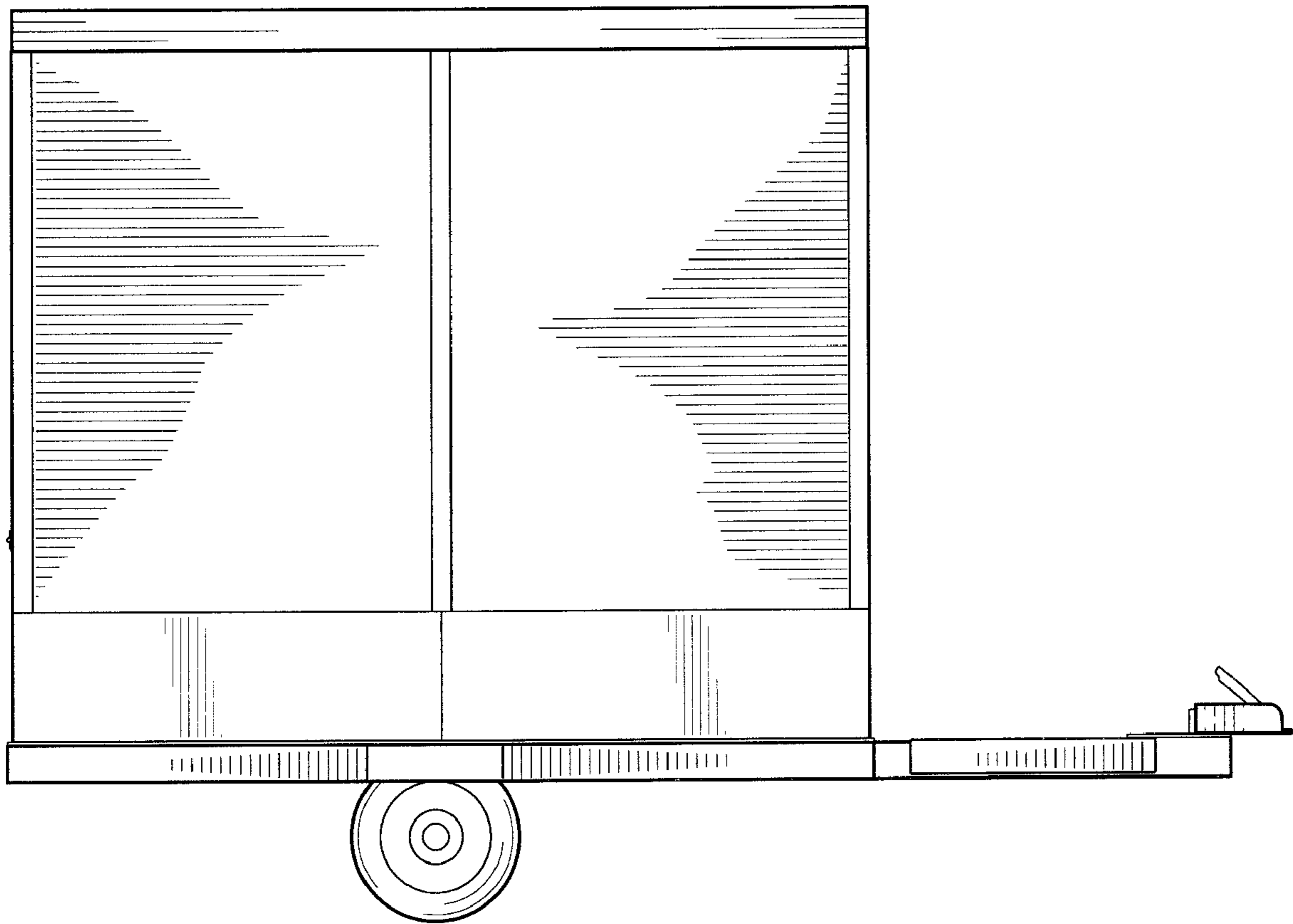


FIG. 5

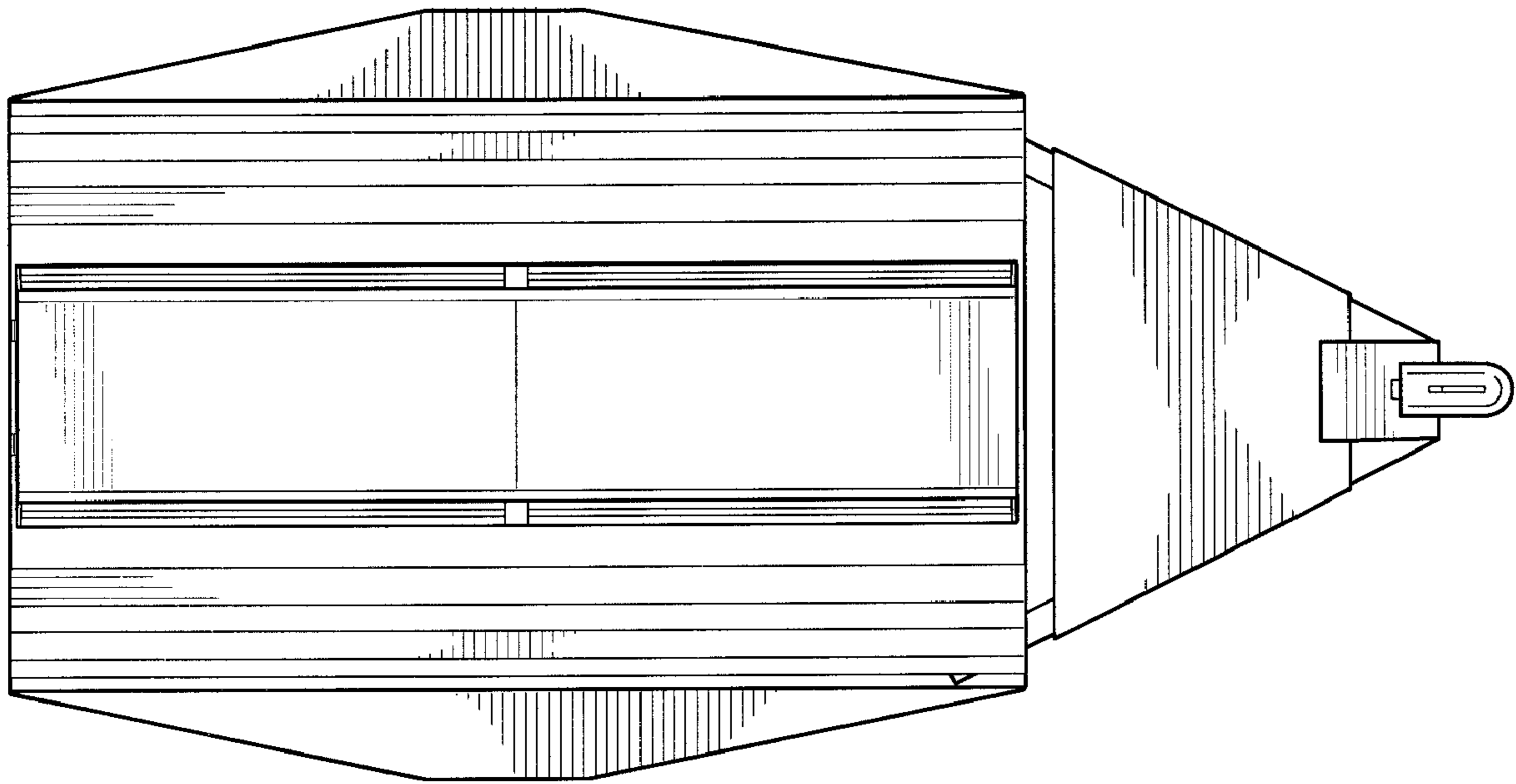


FIG. 6