



US00D616028S

(12) **United States Design Patent**
Snyder

(10) **Patent No.:** **US D616,028 S**

(45) **Date of Patent:** **** *May 18, 2010**

(54) **WRITING TABLET SUPPORT**

(76) **Inventor:** **Robert George Snyder**, 6247 Mt. Vernon Oaks Dr., Atlanta, GA (US) 30328

(*) **Notice:** This patent is subject to a terminal disclaimer.

(**) **Term:** **14 Years**

(21) **Appl. No.:** **29/314,231**

(22) **Filed:** **Mar. 17, 2009**

(51) **LOC (9) Cl.** **19-02**

(52) **U.S. Cl.** **D19/86**

(58) **Field of Classification Search** D6/406.3, D6/406.4, 419, 420; D19/65, 75, 78, 86-92; 206/215, 426, 555; 211/45, 50; 248/441.1, 248/444; 281/45

See application file for complete search history.

(56) **References Cited**

U.S. PATENT DOCUMENTS

805,895	A *	11/1905	Wedderburn	273/150
1,929,482	A *	10/1933	Copeland	248/459
1,999,332	A *	4/1935	Lutter	248/460
3,229,394	A *	1/1966	Purdy	40/649
D204,217	S *	3/1966	Sims	D19/76
D204,889	S *	5/1966	Gingher	D8/377
3,262,620	A *	7/1966	Burt et al.	225/41
D330,817	S *	11/1992	Lemire	D6/466
5,411,145	A *	5/1995	Parks	211/50

5,755,356	A *	5/1998	Bastiaens et al.	221/33
D414,209	S *	9/1999	Koehneke et al.	D19/76
6,164,461	A *	12/2000	Ward et al.	211/41.1
6,588,135	B1 *	7/2003	LeKay	40/649
D485,466	S *	1/2004	Haruhiro	D6/629
2002/0088158	A1 *	7/2002	Jones	40/658

* cited by examiner

Primary Examiner—Elizabeth A Albert

(74) *Attorney, Agent, or Firm*—Rodgers & Rodgers

(57) **CLAIM**

The ornamental design for a writing tablet support, as shown and described.

DESCRIPTION

FIG. 1 is a perspective view of a writing tablet support showing my new design;

FIG. 2 is a bottom plan view thereof;

FIG. 3 is a rear elevational view thereof;

FIG. 4 is a front elevational view thereof;

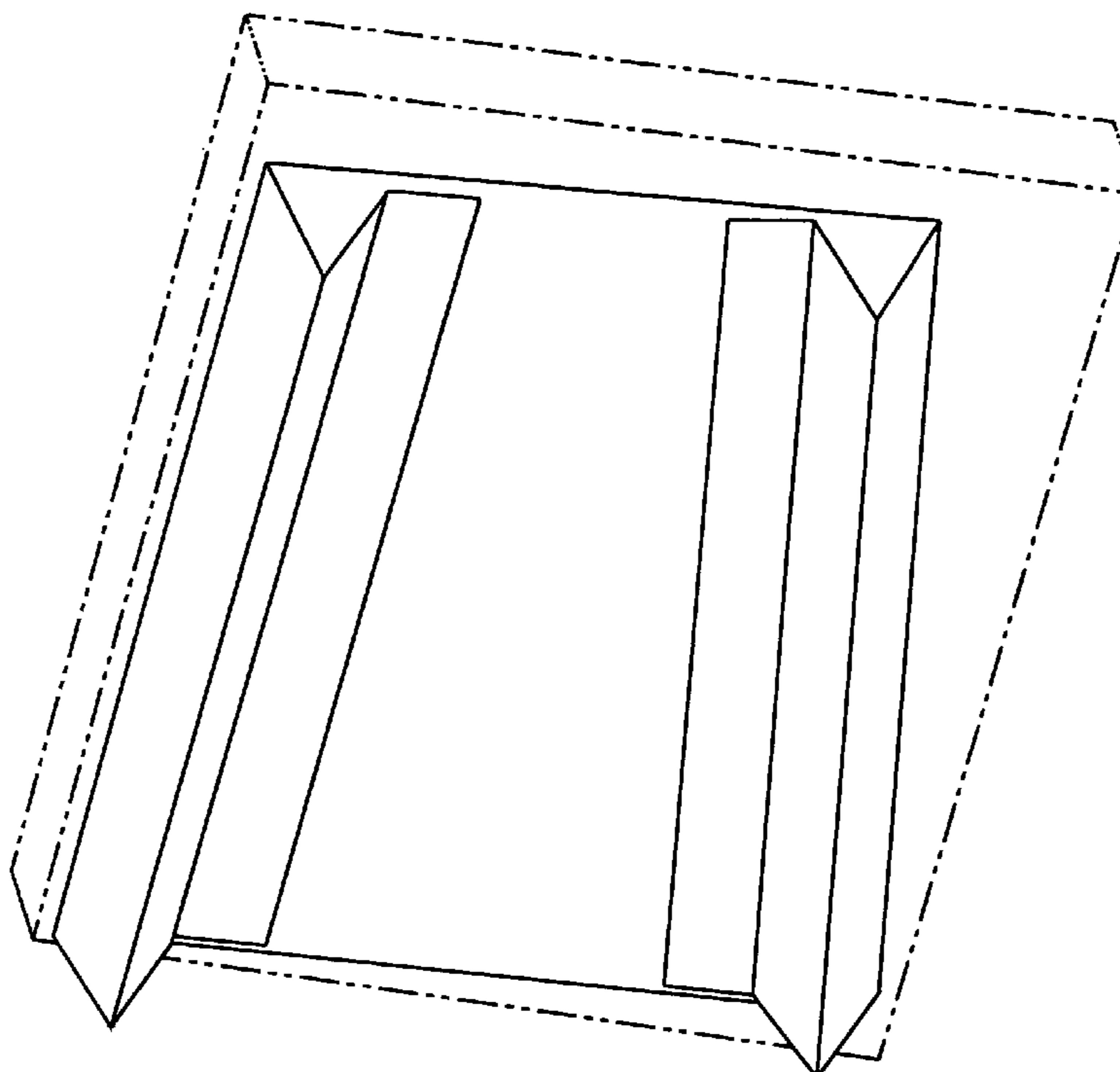
FIG. 5 is a right-side elevational view thereof;

FIG. 6 is a left-side elevational view thereof; and,

FIG. 7 is a perspective view of a second embodiment of FIG. 1, the configuration of the alignment to the other edge of the supported tablet, it being understood that all other surfaces are the same as those of the first embodiment.

The broken lines are included to show environment and form no part of the claimed design.

1 Claim, 5 Drawing Sheets



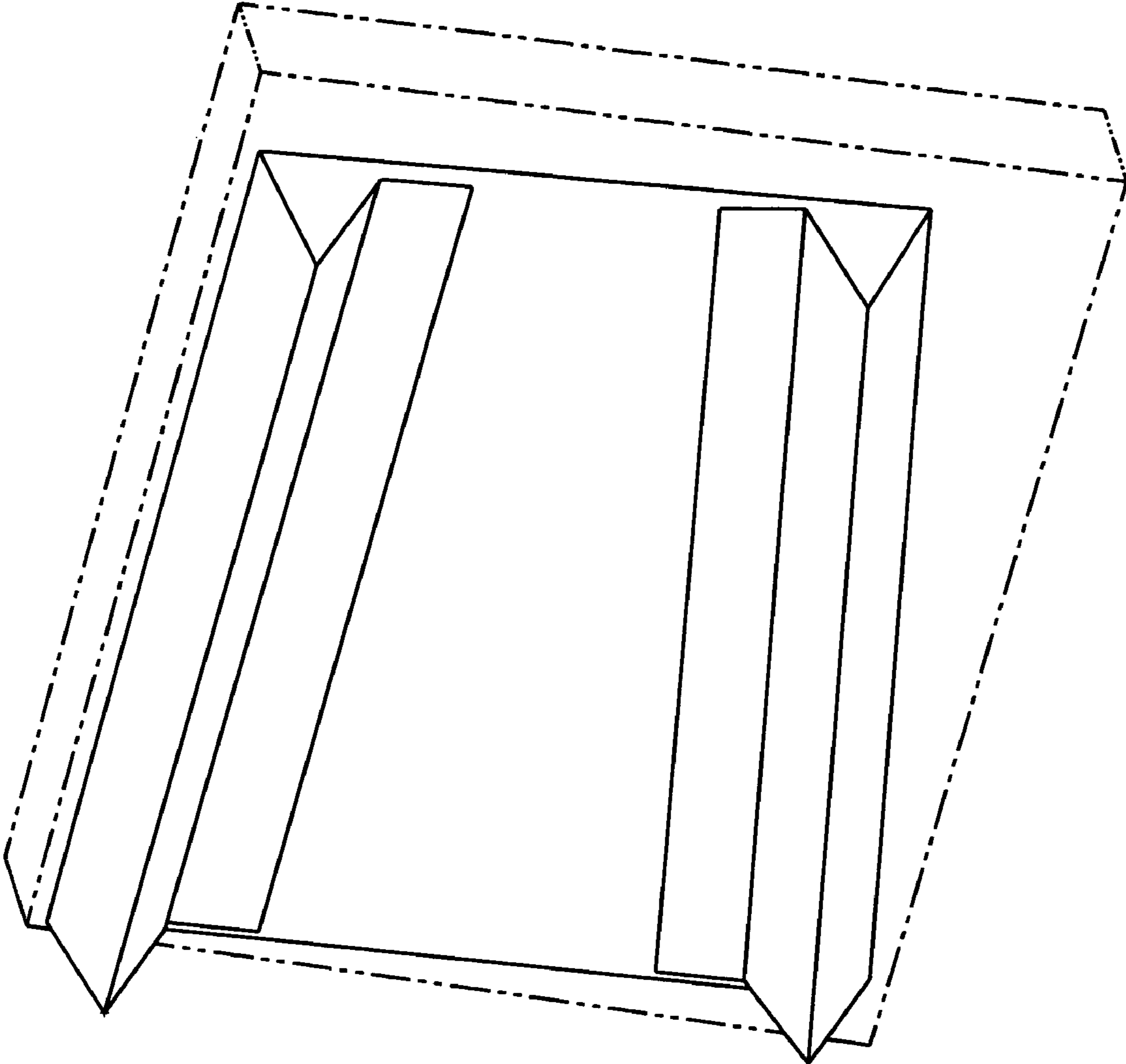


Fig 1

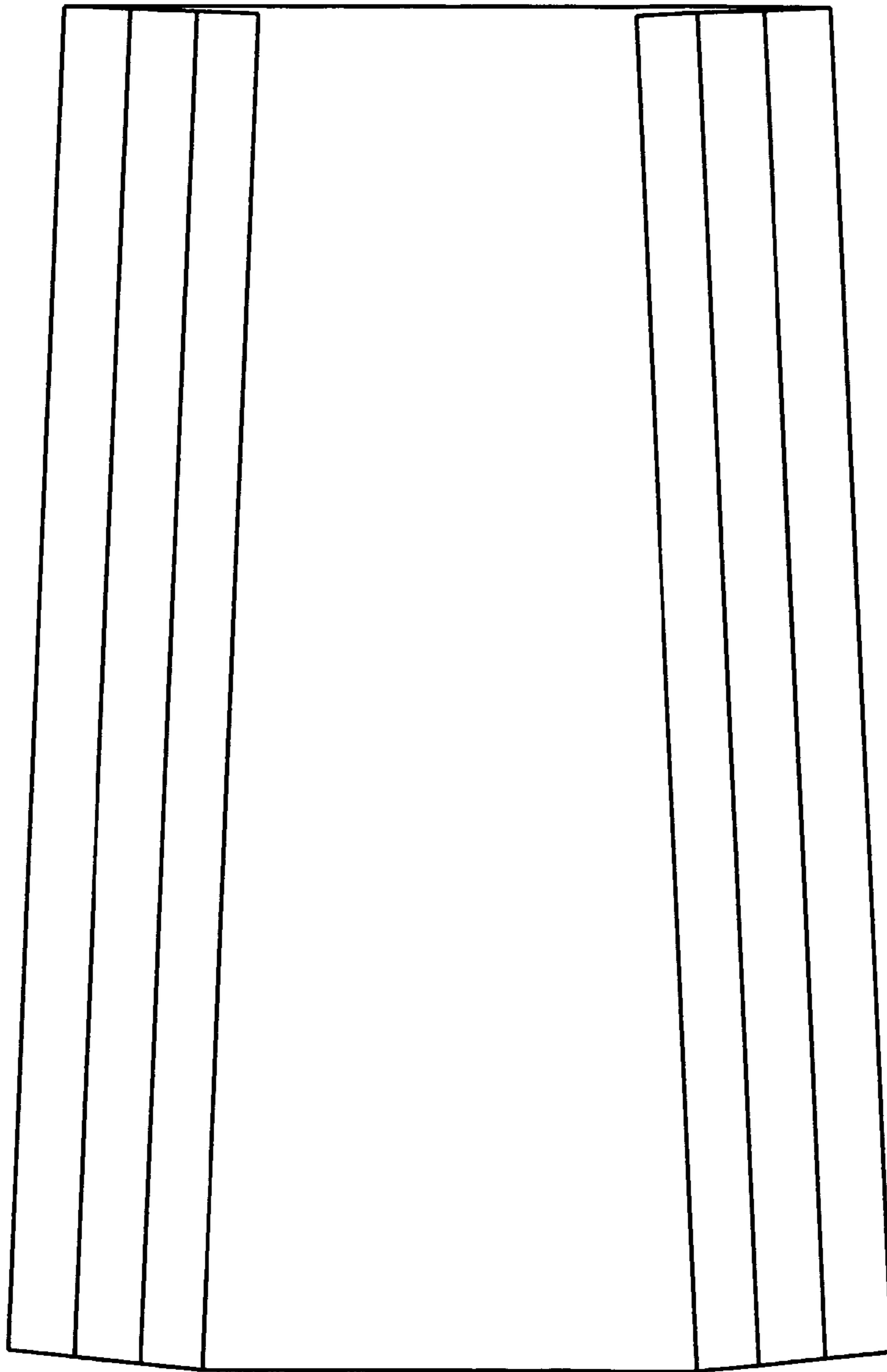


Fig 2

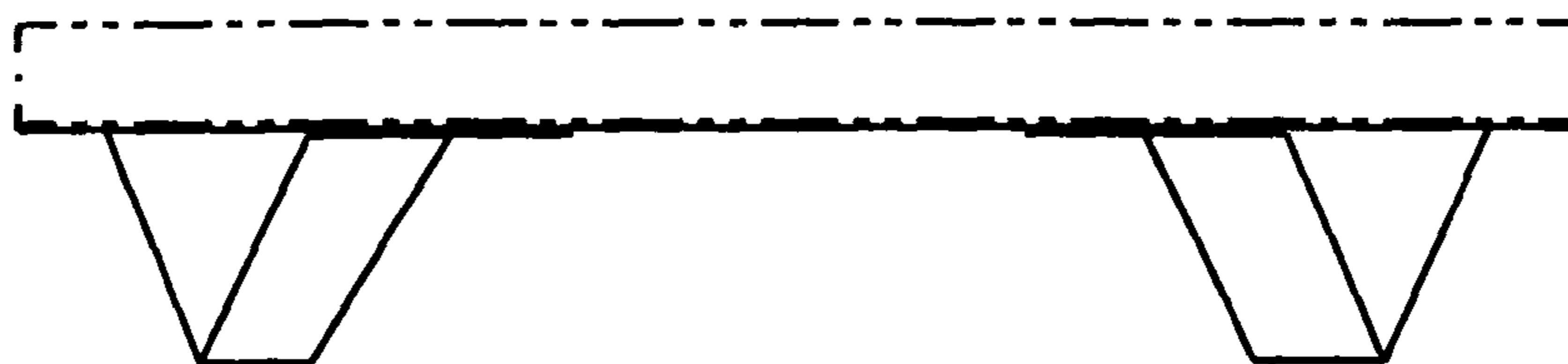


Fig 3

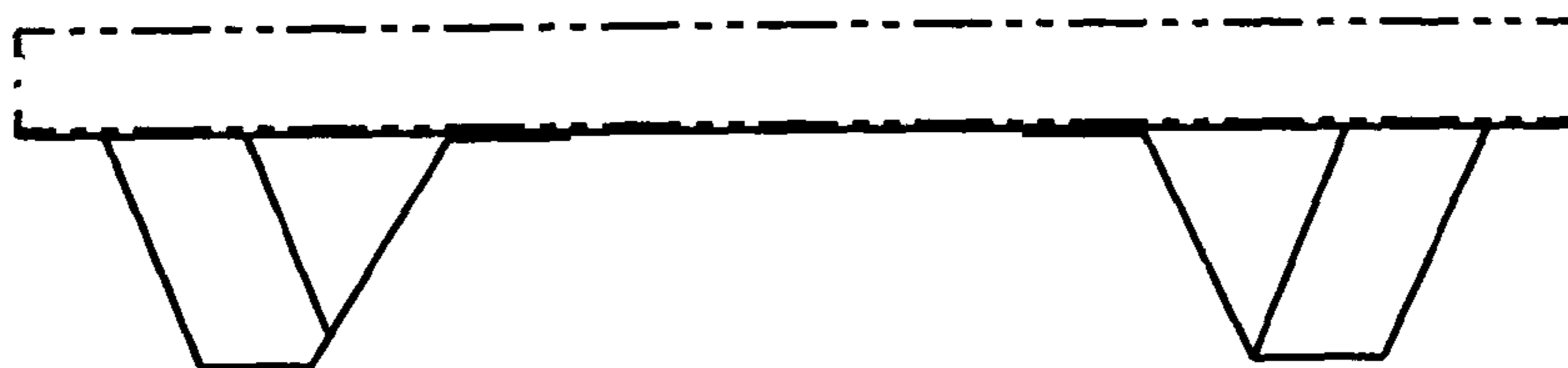


Fig 4

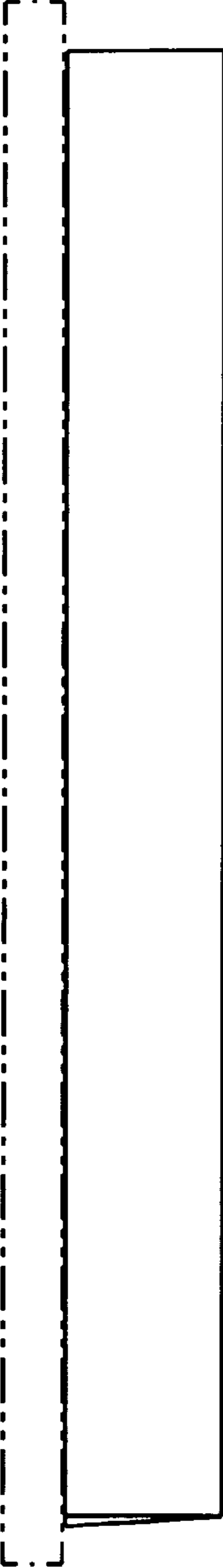


Fig 5

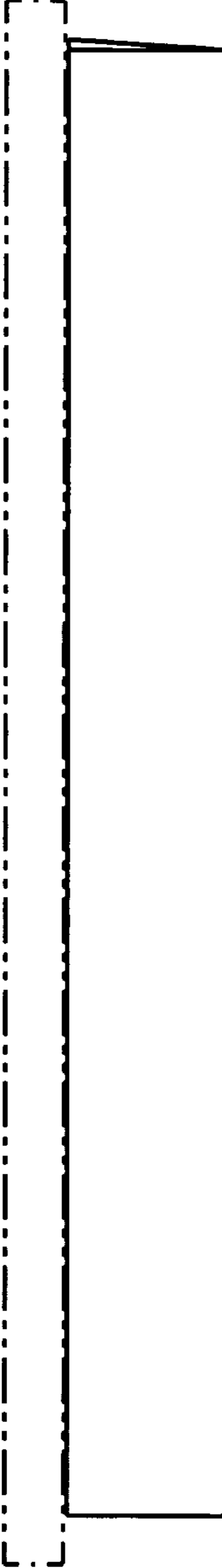


Fig 6

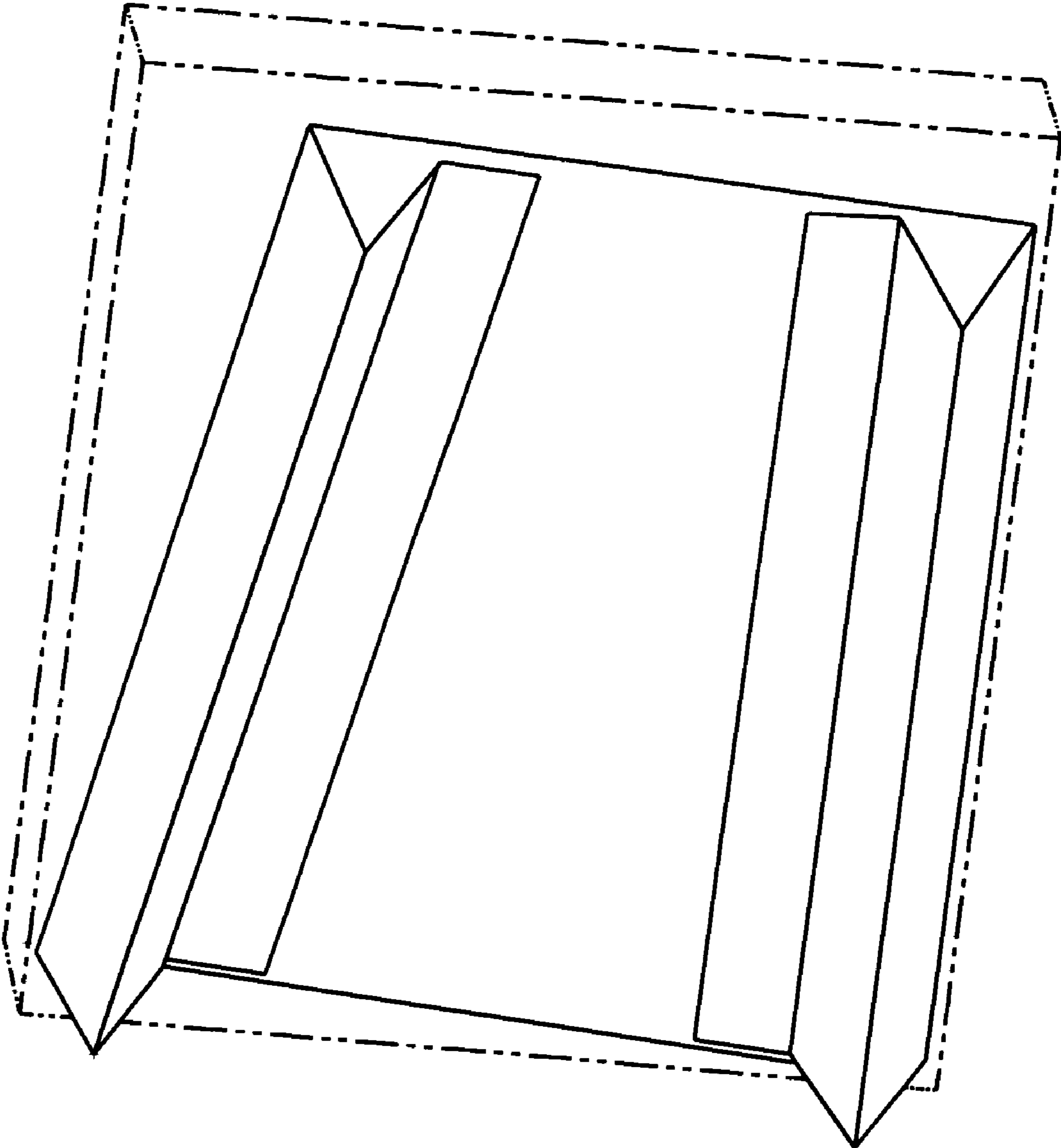


Fig 7