



US00D616027S

(12) **United States Design Patent**
Snyder

(10) **Patent No.:** **US D616,027 S**

(45) **Date of Patent:** **** May 18, 2010**

(54) **WRITING TABLET SUPPORT**

(76) Inventor: **Robert George Snyder**, 6247 Mt.
Vernon Oaks Dr., Atlanta, GA (US)
30328

(**) Term: **14 Years**

(21) Appl. No.: **29/313,964**

(22) Filed: **Feb. 23, 2009**

(51) **LOC (9) Cl.** **19-02**

(52) **U.S. Cl.** **D19/86**

(58) **Field of Classification Search** D6/406.3,
D6/406.4, 419, 420; D19/65, 75, 78, 86-92;
206/215, 425, 555; 211/45, 50; 248/441.1,
248/444; 281/45

See application file for complete search history.

(56) **References Cited**

U.S. PATENT DOCUMENTS

805,895	A *	11/1905	Wedderburn	273/150
1,929,482	A *	10/1933	Copeland	248/459
1,999,332	A *	4/1935	Lutter	248/460
3,229,394	A *	1/1966	Purdy	40/649
D204,217	S *	3/1966	Sims	D19/76
D204,889	S *	5/1966	Gingher	D8/377
3,262,620	A *	7/1966	Burt et al.	225/41
D330,817	S *	11/1992	Lemire	D6/466

5,411,145	A *	5/1995	Parks	211/50
5,755,356	A *	5/1998	Bastiaens et al.	221/33
D414,209	S *	9/1999	Koehneke et al.	D19/76
6,164,461	A *	12/2000	Ward et al.	211/41.1
6,588,135	B1 *	7/2003	LeKay	40/649
D485,466	S *	1/2004	Haruhiro	D6/629
2002/0088158	A1 *	7/2002	Jones	40/658

* cited by examiner

Primary Examiner—Elizabeth A Albert

(74) *Attorney, Agent, or Firm*—Rodgers & Rodgers

(57) **CLAIM**

The ornamental design for a writing tablet support, as shown and described.

DESCRIPTION

FIG. 1 is a perspective view of a writing tablet support showing my new design;

FIG. 2 is a bottom plan view thereof;

FIG. 3 is a front elevational view thereof;

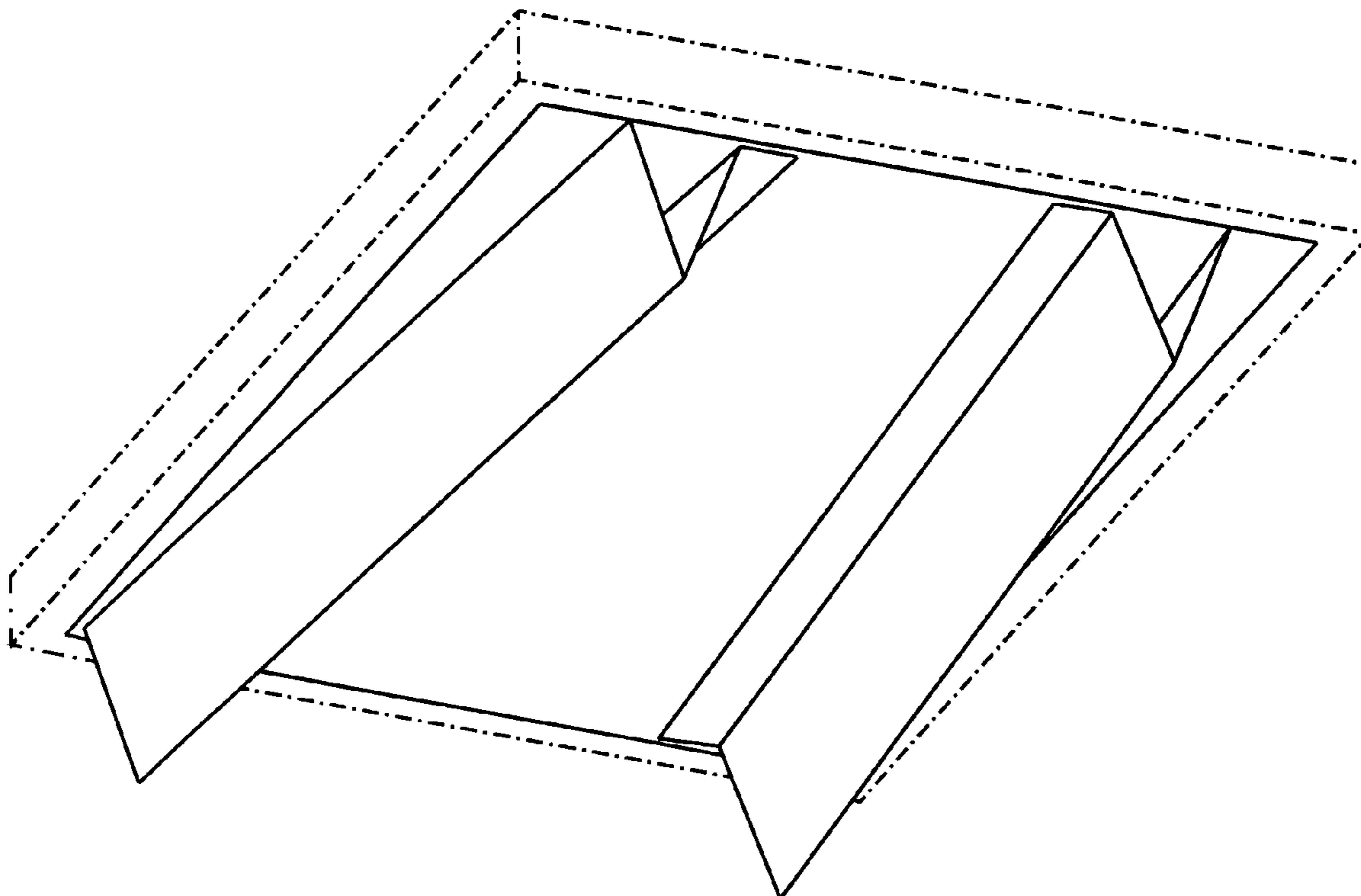
FIG. 4 is a rear elevational view thereof;

FIG. 5 is a right-side elevational view thereof; and,

FIG. 6 is a left-side elevational view thereof.

The broken lines are included to show environment and form no part of the claimed design.

1 Claim, 4 Drawing Sheets



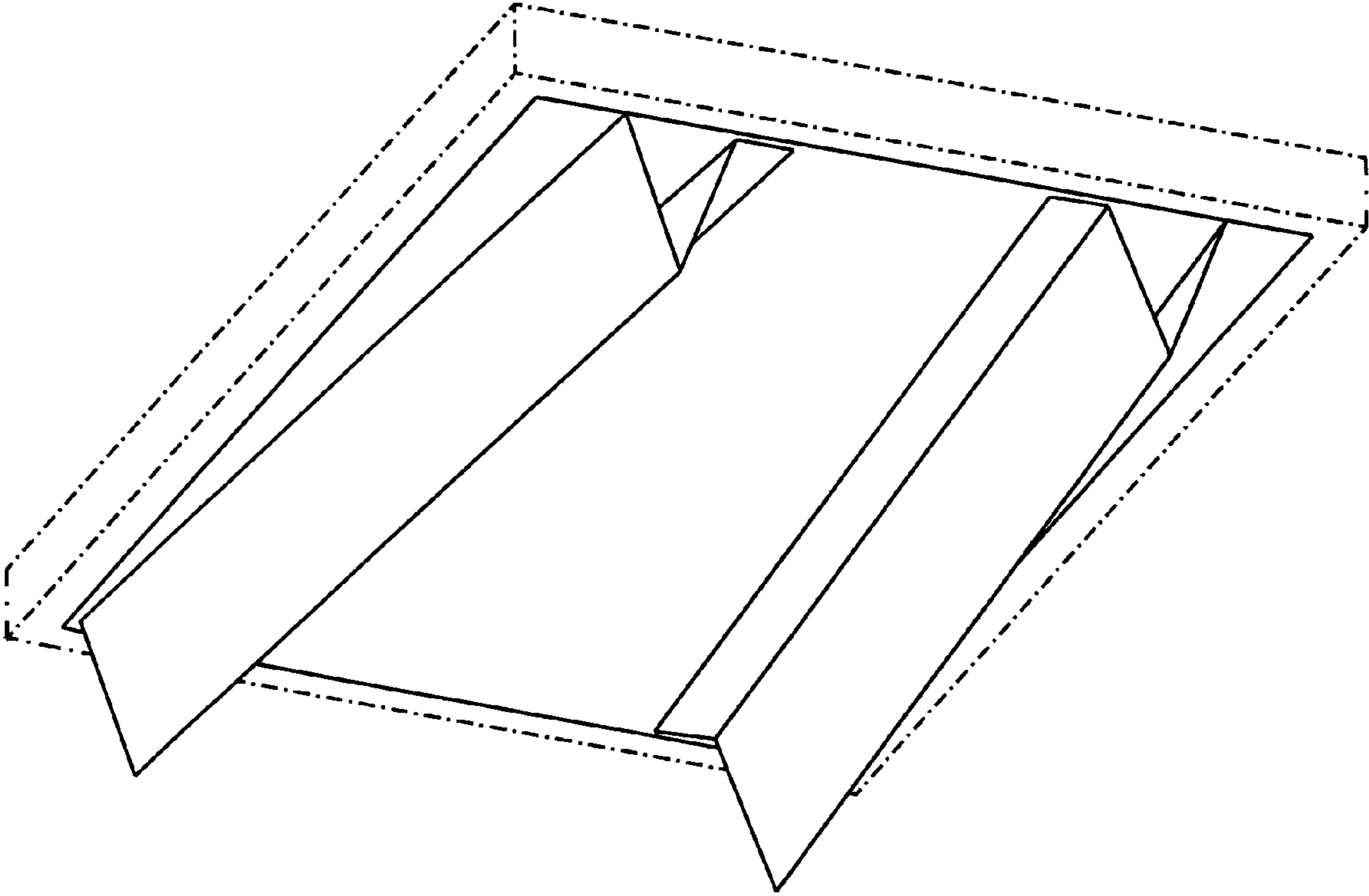


Fig 1

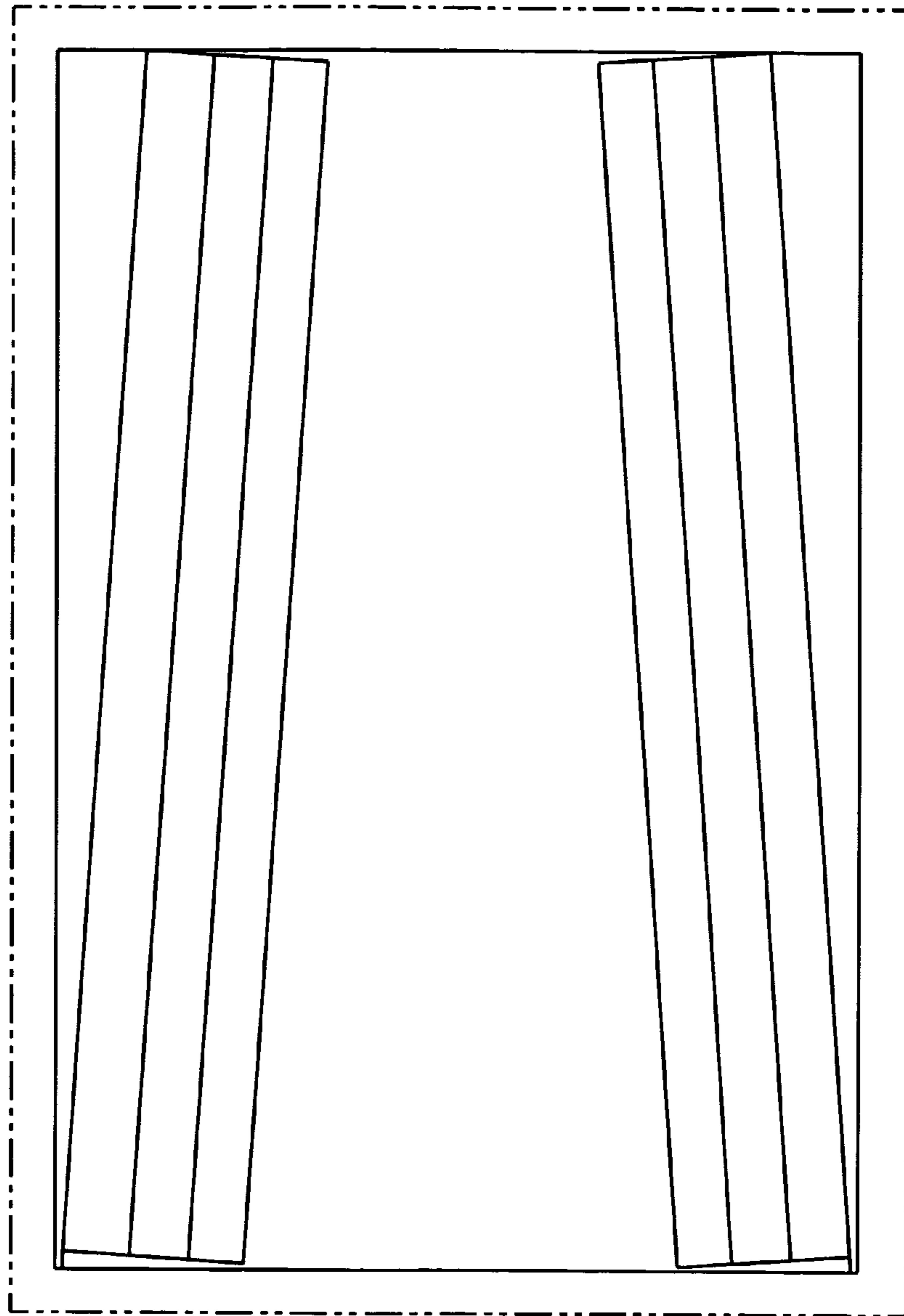


Fig 2

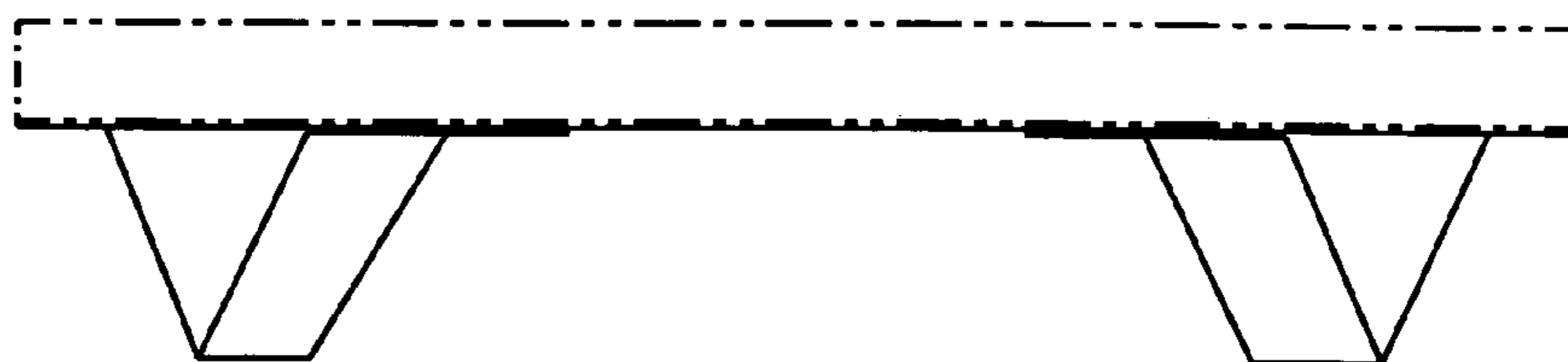


Fig 3

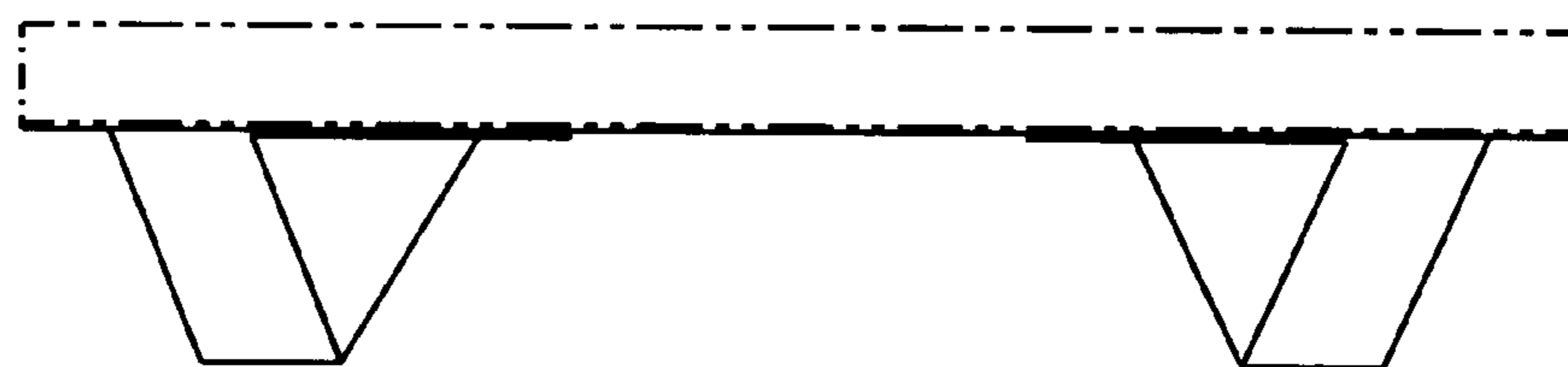


Fig 4

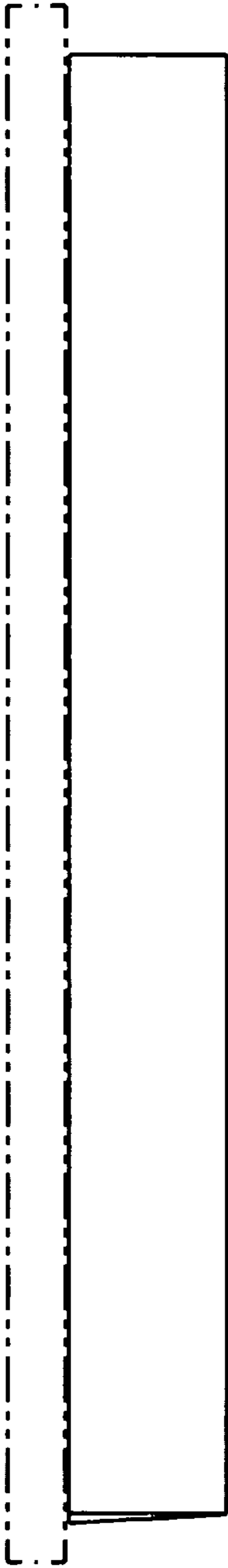


Fig 5

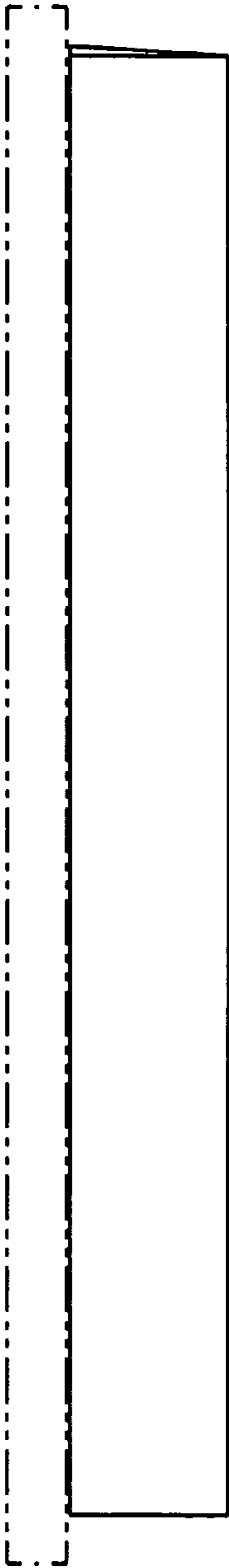


Fig 6