



US00D616023S

(12) **United States Design Patent**  
**To**

(10) **Patent No.:** **US D616,023 S**  
(45) **Date of Patent:** **\*\* May 18, 2010**

(54) **PUSH BUTTON RING MECHANISM HAVING  
RECTILINEAR BINDER RINGS**

(75) Inventor: **Chun Yuen To**, Hong Kong (CN)

(73) Assignee: **World Wide Stationery Mfg. Co., Ltd.**,  
Kwai Chung, New Territory (HK)

(\*\*) Term: **14 Years**

(21) Appl. No.: **29/330,296**

(22) Filed: **Jan. 5, 2009**

**Related U.S. Application Data**

(62) Division of application No. 29/275,751, filed on Jan. 5,  
2007, now Pat. No. Des. 585,935.

(30) **Foreign Application Priority Data**

Jul. 6, 2006 (CN) ..... 2006 3 0131069

(51) **LOC (9) Cl.** ..... **19-04**

(52) **U.S. Cl.** ..... **D19/32**

(58) **Field of Classification Search** ..... D19/32,  
D19/26-30, 49, 100; 402/26, 31, 36, 38,  
402/39, 41; 281/45-51, 3.1, 15.1, 21.1, 22  
See application file for complete search history.

(56) **References Cited**

**U.S. PATENT DOCUMENTS**

1,473,354 A	11/1923	Nachtrieb
RE18,806 E	4/1933	Dawson
2,218,105 A	10/1940	Griffin
2,371,474 A	3/1945	Seelman
2,673,564 A	3/1954	Derringer
3,263,687 A	8/1966	Weichert
3,404,685 A	10/1968	Vernon
3,827,111 A	8/1974	O'Connell
4,552,478 A	11/1985	Cohen

4,792,253 A	12/1988	Jacobson
5,106,222 A	4/1992	D'Amore
D325,928 S	5/1992	Bourgeois
5,332,327 A	7/1994	Gillum
D356,112 S	3/1995	Constantine
D377,805 S	2/1997	To
D382,593 S	8/1997	To
5,718,529 A	2/1998	Chan
D392,997 S	3/1998	Chan
5,772,348 A *	6/1998	To ..... 402/36
D408,851 S	4/1999	To

(Continued)

**OTHER PUBLICATIONS**

(A) World Wide Stationary Manufacturing Company Limited.

(Continued)

*Primary Examiner*—Elizabeth A Albert

*Assistant Examiner*—Kelley A Donnelly

(74) *Attorney, Agent, or Firm*—Senniger Powers LLP

(57) **CLAIM**

The ornamental design for a push button ring mechanism having rectilinear binder rings, as shown and described.

**DESCRIPTION**

FIG. 1 is a perspective of a push button ring mechanism having rectilinear binder rings;

FIG. 2 is a top plan view thereof;

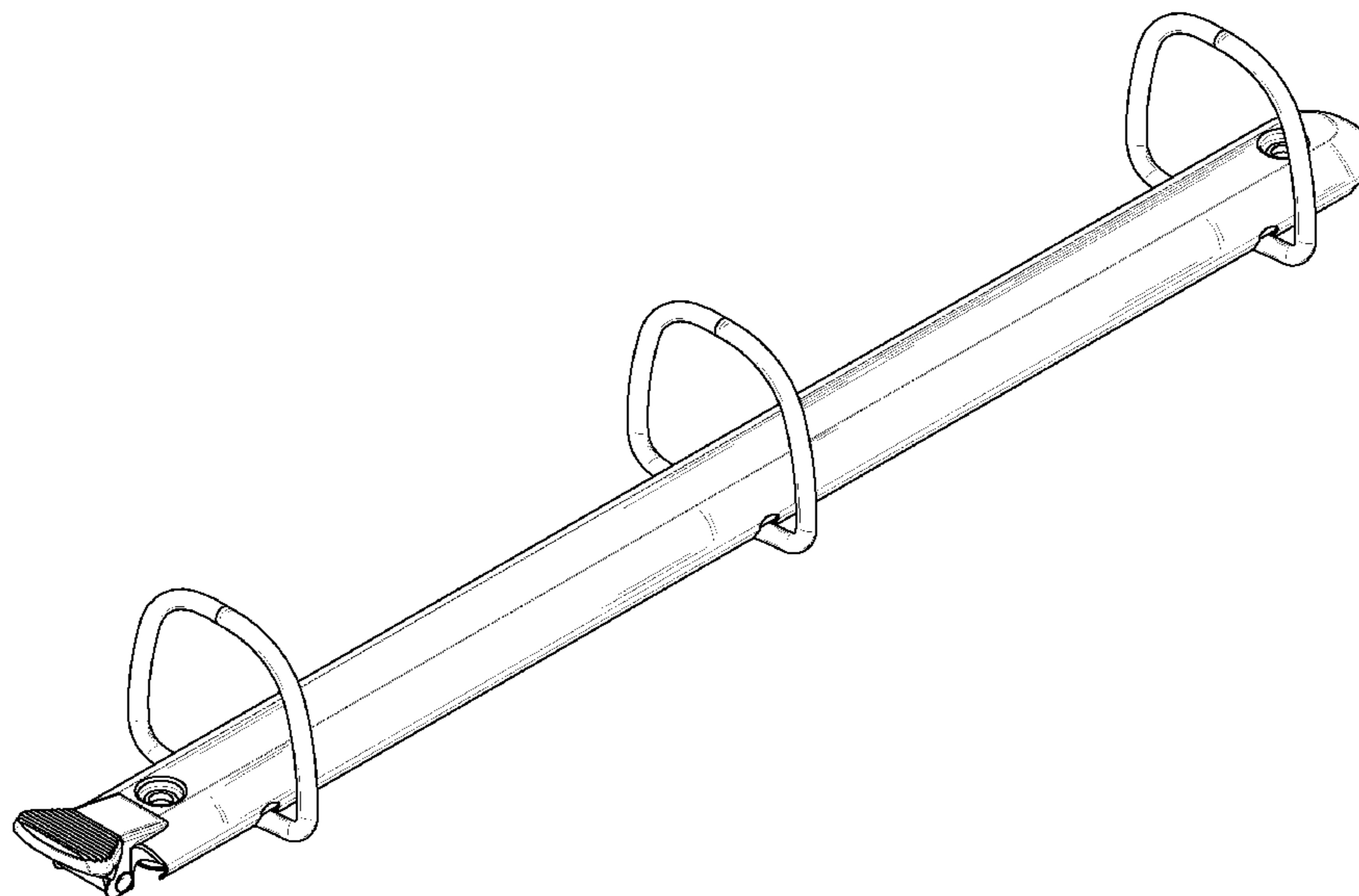
FIG. 3 is a bottom plan view thereof;

FIG. 4 is a right side elevational view of the mechanism, the left side elevational view of the mechanism being a mirror image thereof;

FIG. 5 is a rear end view of the mechanism; and,

FIG. 6 is a front end view of the mechanism.

**1 Claim, 6 Drawing Sheets**



# US D616,023 S

Page 2

## U.S. PATENT DOCUMENTS

5,971,649	A	10/1999	To	7,527,449	B2	5/2009	Petrie	
5,975,785	A	11/1999	Chan	7,530,755	B2 *	5/2009	Whaley	402/38
5,980,146	A	11/1999	To	7,549,817	B2 *	6/2009	Cheng et al.	402/19
6,007,266	A	12/1999	Cheng	2004/0037614	A1	2/2004	Busam	
6,033,144	A	3/2000	Ng	2005/0013654	A1 *	1/2005	Cheng et al.	402/36
6,045,286	A	4/2000	Tung	2005/0201818	A1 *	9/2005	Cheng	402/73
D426,571	S	6/2000	To	2005/0201819	A1 *	9/2005	Cheng	402/73
D433,445	S	11/2000	To	2005/0201820	A1 *	9/2005	Ng et al.	402/73
D434,071	S	11/2000	To	2005/0207826	A1 *	9/2005	Cheng et al.	402/31
6,142,697	A	11/2000	Williams	2005/0214064	A1 *	9/2005	Ng et al.	402/73
6,217,247	B1	4/2001	Ng	2005/0232689	A1 *	10/2005	Cheng	402/36
6,749,357	B2 *	6/2004	Cheng	2006/0147253	A1 *	7/2006	Cheng	402/38
6,758,621	B2	7/2004	To	2006/0216107	A1 *	9/2006	Lin	402/38
7,241,067	B2	7/2007	Cheng	2006/0251467	A1	11/2006	Cheng	
7,275,886	B2 *	10/2007	Cheng	2007/0086836	A1	4/2007	Cheng	
7,296,946	B2	11/2007	Cheng et al.	2008/0075526	A1 *	3/2008	Ng et al.	402/29
7,404,685	B2 *	7/2008	Cheng					
D582,477	S	12/2008	To					
D585,935	S *	2/2009	To					
7,491,006	B2 *	2/2009	Whaley					
7,524,128	B2 *	4/2009	Cheng					

## OTHER PUBLICATIONS

(B) World Wide Stationary Manufacturing Company Limited.

(C) World Wide Stationary Manufacturing Company Limited.

\* cited by examiner

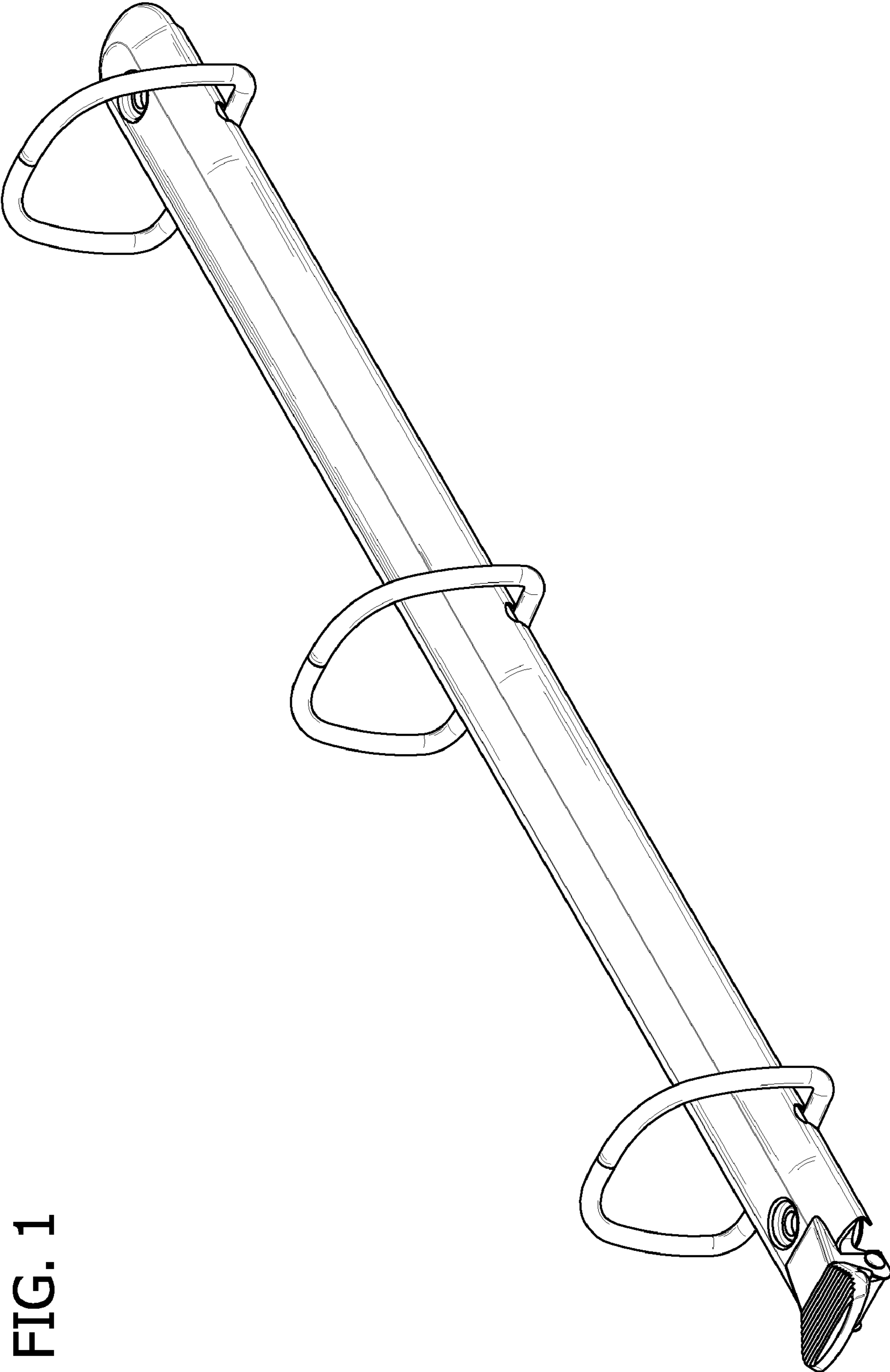


FIG. 1

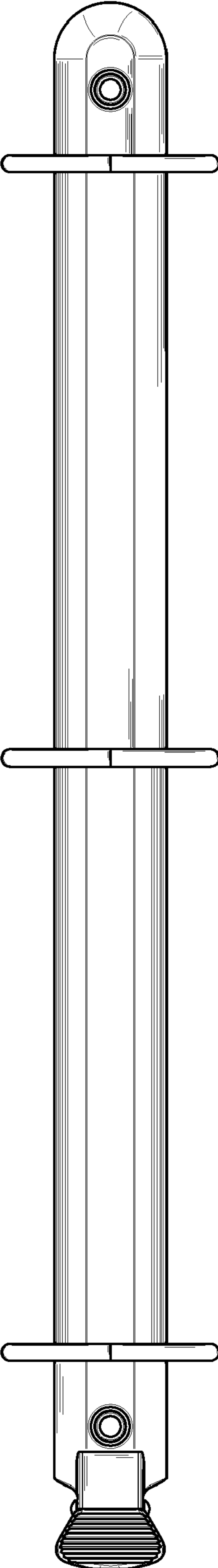


FIG. 2

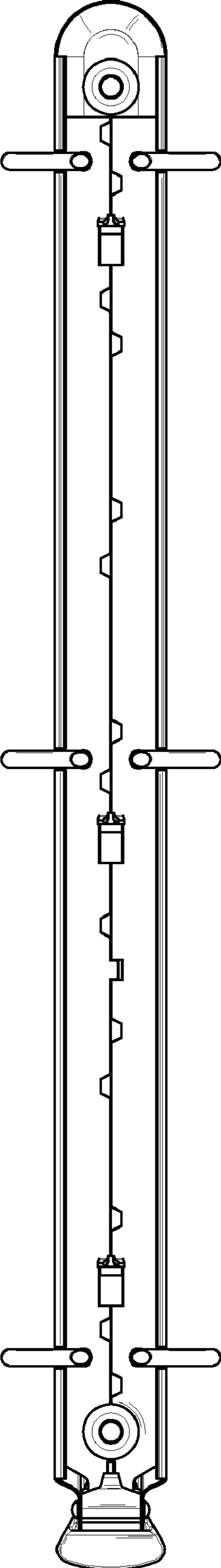


FIG. 3

FIG. 4

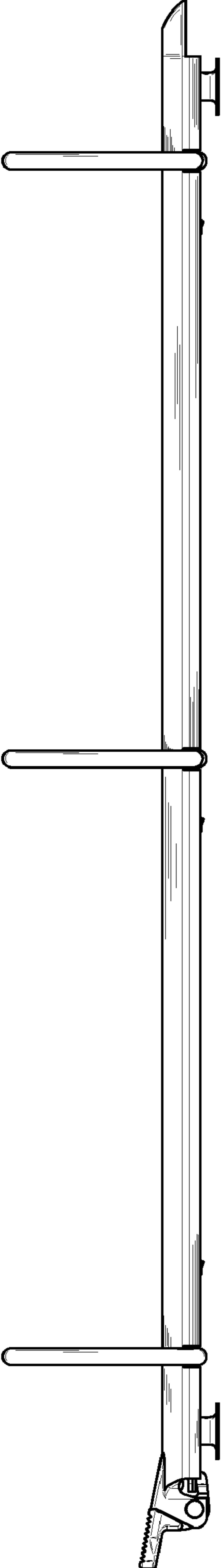


FIG. 5

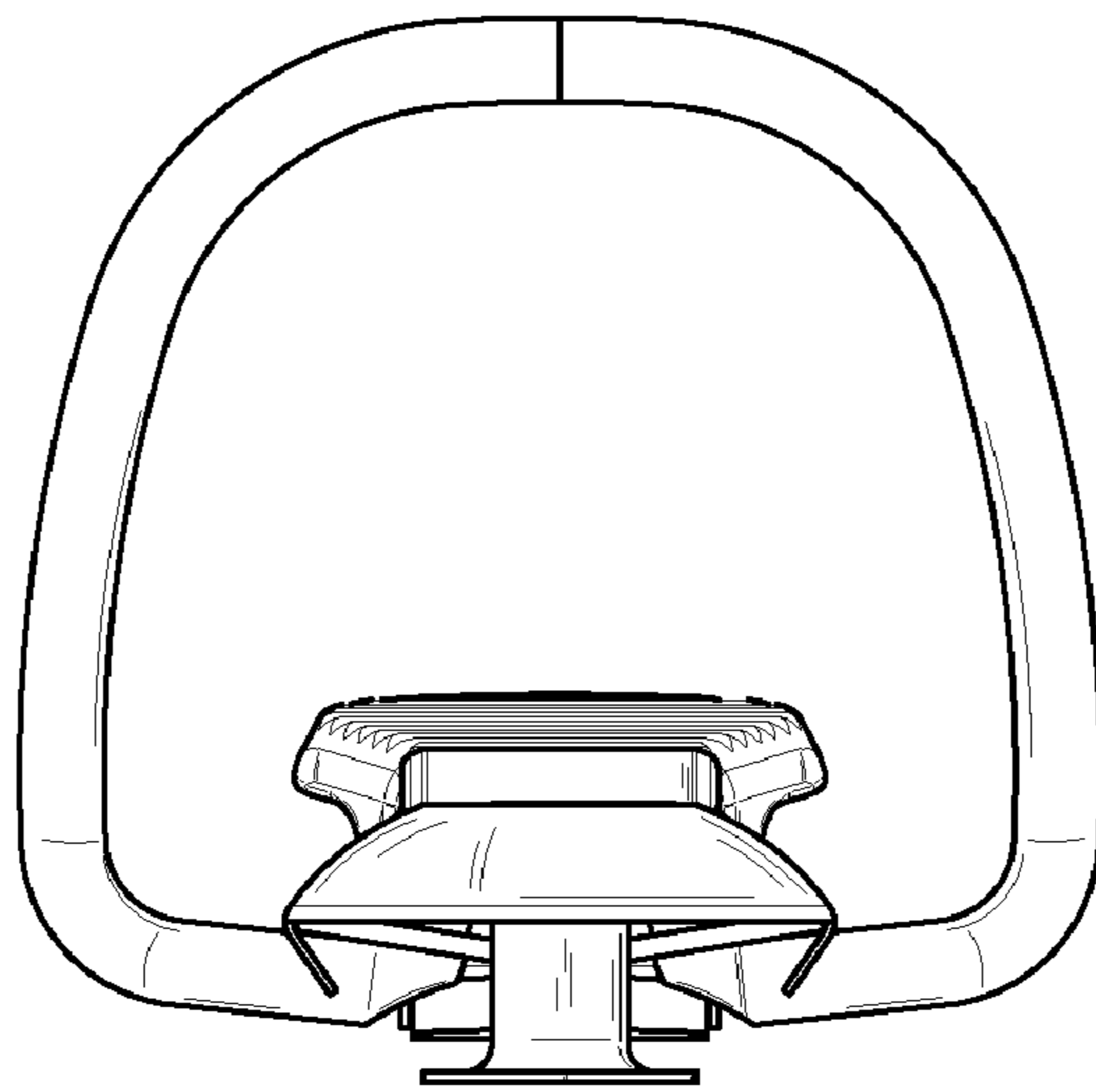


FIG. 6

