



US00D616021S

(12) **United States Design Patent**
Halbur

(10) **Patent No.:** **US D616,021 S**
(45) **Date of Patent:** **** May 18, 2010**

(54) **TRANSACTION CARD**

(75) Inventor: **Ted C. Halbur**, Lino Lakes, MN (US)

(73) Assignee: **Target Brands, Inc.**, Minneapolis, MN (US)

(**) Term: **14 Years**

(21) Appl. No.: **29/346,475**

(22) Filed: **Oct. 31, 2009**

(51) **LOC (9) Cl.** **19-08**

(52) **U.S. Cl.** **D19/9**

(58) **Field of Classification Search** D19/1-34;
40/124.01-124.15, 672, 661, 726, 776, 617;
283/72, 74, 75, 103, 105, 106; 235/380;
206/449; D21/385, 386; D20/10, 22, 27,
D20/40, 42, 11, 17, 35, 43; D14/435-437;
D25/141, 149, 156

See application file for complete search history.

(56) **References Cited**

U.S. PATENT DOCUMENTS

D122,493 S	9/1940	Marghab	
D155,856 S	11/1949	Adair	
D171,088 S	12/1953	Hamilton	
D203,325 S	12/1965	Stengel	
D229,912 S	1/1974	Bradford	
4,562,342 A	12/1985	Solo	
D291,454 S	8/1987	Broadfoot	
4,815,768 A	3/1989	Applebaum et al.	
D301,668 S	6/1989	Smith	
D308,989 S *	7/1990	Cohen	D20/42
D310,545 S *	9/1990	Avittan	D20/10
D316,278 S *	4/1991	Cohen	D20/42
D330,225 S *	10/1992	Cohen	D20/42
D332,545 S	1/1993	VanderVelden	
D335,305 S	5/1993	Burns	
5,570,081 A	10/1996	Holstrom	
D377,637 S	1/1997	Berry, Jr.	
D379,831 S *	6/1997	Lush	D20/17
D401,259 S *	11/1998	Chapman et al.	D20/22
D408,056 S *	4/1999	Broyles	D19/26

D426,857 S *	6/2000	Savage	D21/385
6,089,611 A	7/2000	Blank	
D445,142 S *	7/2001	Dupont	D21/386
D454,910 S	3/2002	Smith et al.	
D457,556 S	5/2002	Hochschild	
D468,574 S	1/2003	Moore	
6,588,658 B1	7/2003	Blank	
D484,543 S *	12/2003	Lachner, Sr.	D20/35
D487,480 S	3/2004	Nelms et al.	
D490,103 S	5/2004	Rangel et al.	
D513,869 S	1/2006	Hunter, Jr. et al.	
7,000,844 B1	2/2006	Smith	
D518,058 S	3/2006	Hart et al.	
7,032,817 B2	4/2006	Blank	
D522,573 S	6/2006	Lauer	
D523,076 S	6/2006	Lauer et al.	
7,065,195 B1	6/2006	Smith et al.	
D530,752 S *	10/2006	Goldblatt	D20/43
D554,180 S	10/2007	Qvale	

(Continued)

Primary Examiner—T. Chase Nelson
Assistant Examiner—David G Muller
(74) *Attorney, Agent, or Firm*—Griffiths & Seaton PLLC

(57) **CLAIM**

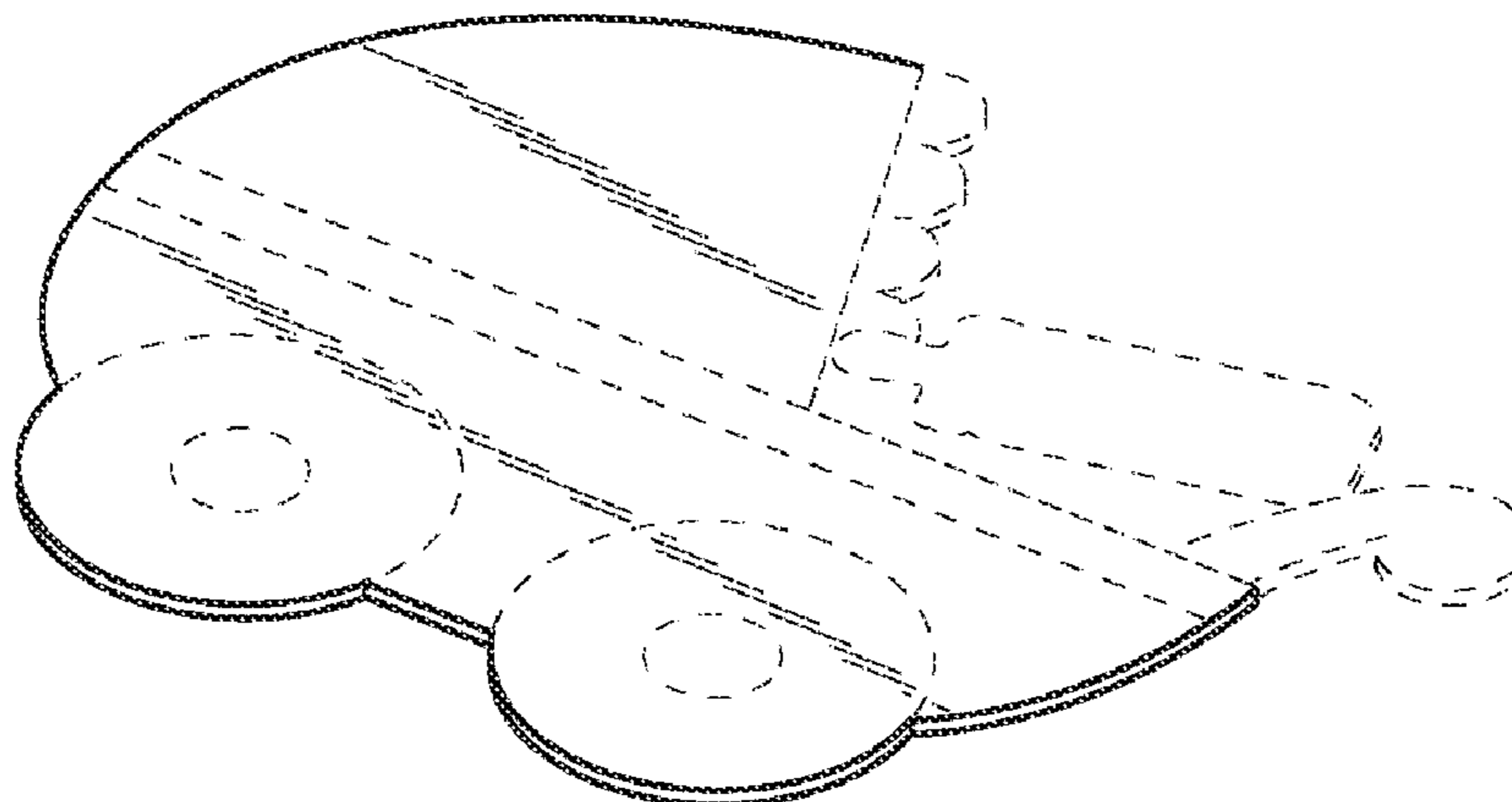
The ornamental design for a transaction card, as shown and described.

DESCRIPTION

FIG. 1 is a front, perspective view of a transaction card showing an embodiment of our new design;
FIG. 2 is a front view thereof;
FIG. 3 is a rear view thereof;
FIG. 4 is a top view thereof;
FIG. 5 is a bottom view thereof;
FIG. 6 is a left side view thereof; and,
FIG. 7 is a right side view thereof.

The features shown in broken lines depict environmental subject matter only and form no part of the claimed design.

1 Claim, 3 Drawing Sheets



US D616,021 S

Page 2

U.S. PATENT DOCUMENTS

7,275,683	B2	10/2007	Lazarowicz et al.	2002/0027837	A1	3/2002	Weber
D560,715	S	1/2008	Hogg	2002/0128034	A1	9/2002	Stratmoen et al.
D560,716	S	1/2008	Halbur et al.	2004/0249748	A1	12/2004	Schultz et al.
D560,718	S	1/2008	King et al.	2005/0257409	A9	11/2005	Nelms et al.
7,314,179	B1	1/2008	Halbur et al.	2007/0057040	A1	3/2007	Blank et al.
7,322,519	B2	1/2008	Blank et al.	2007/0246548	A1	10/2007	Schultz et al.
D570,909	S *	6/2008	Masters D19/4	2007/0266605	A1	11/2007	Halbur et al.
D570,910	S	6/2008	Parker et al.	2008/0109350	A1	5/2008	Lazarowicz et al.
D575,332	S	8/2008	Parker et al.	2008/0149727	A1	6/2008	Boyd et al.
7,438,224	B1	10/2008	Jensen et al.	2009/0008462	A1	1/2009	Jensen et al.
D582,991	S *	12/2008	McCowan D21/386	2009/0024519	A1	1/2009	Halbur et al.
7,584,558	B2	9/2009	Boyd et al.	2009/0166437	A1	7/2009	Reynolds et al.

* cited by examiner

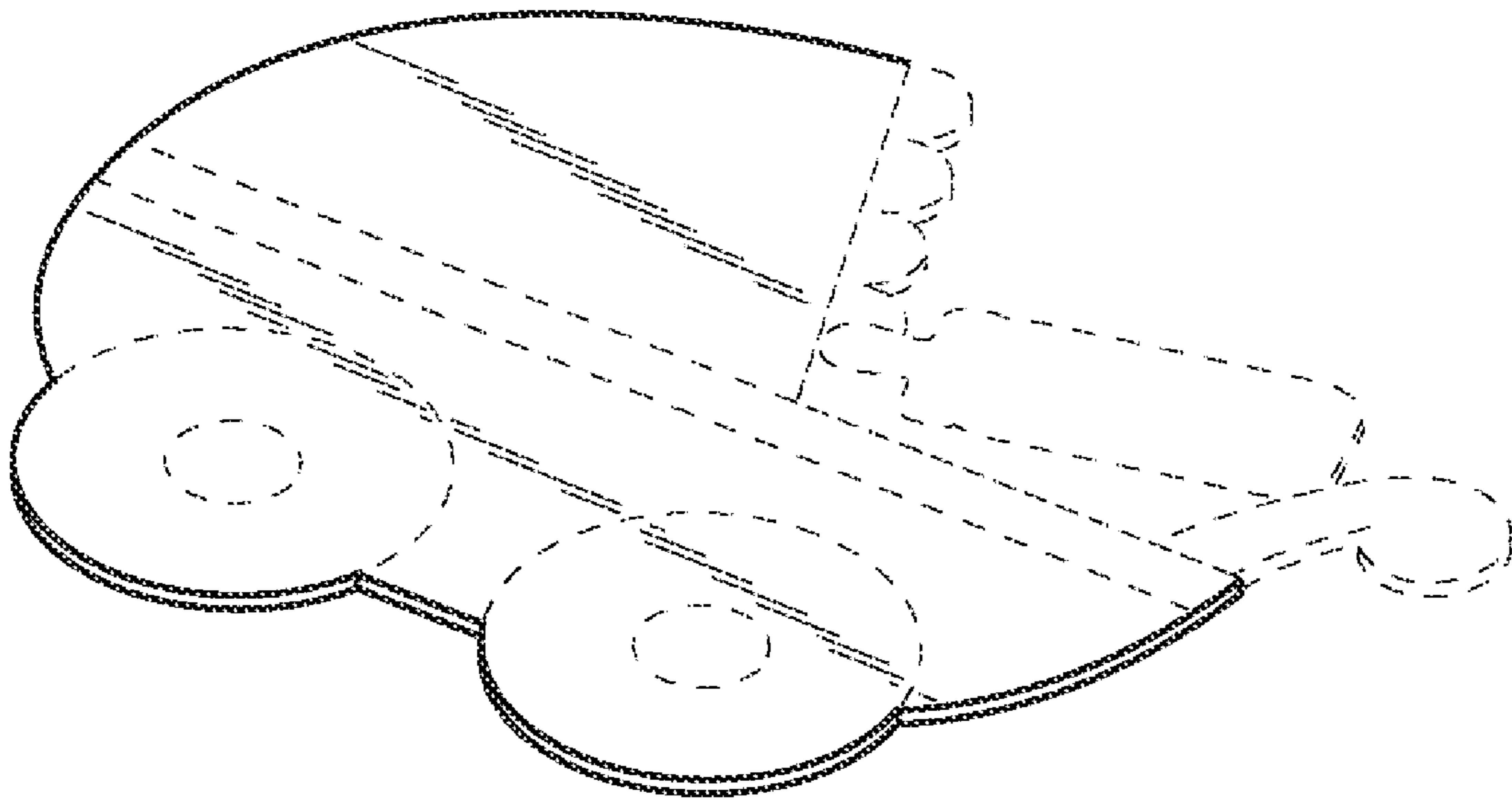


Fig. 1

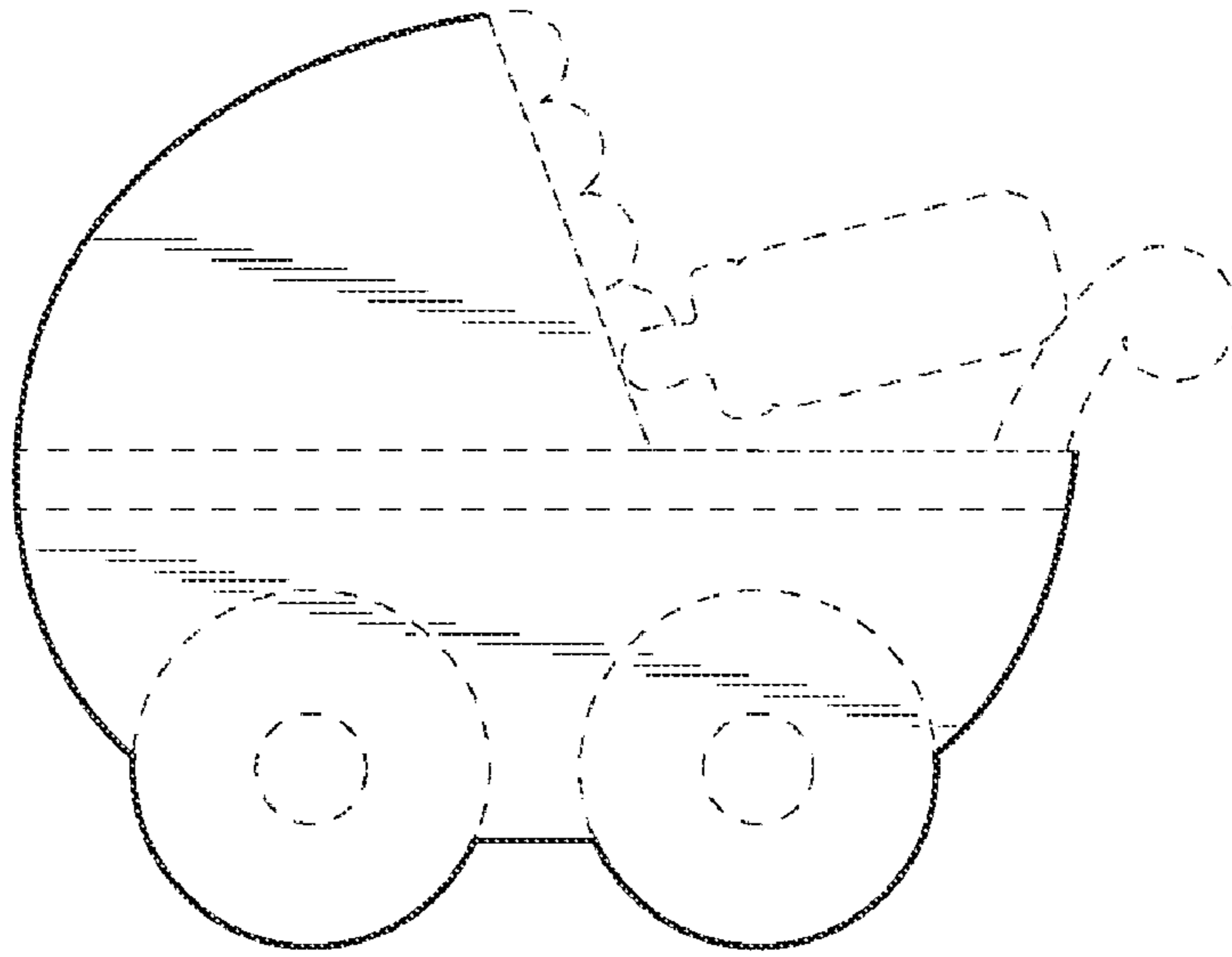


Fig. 2

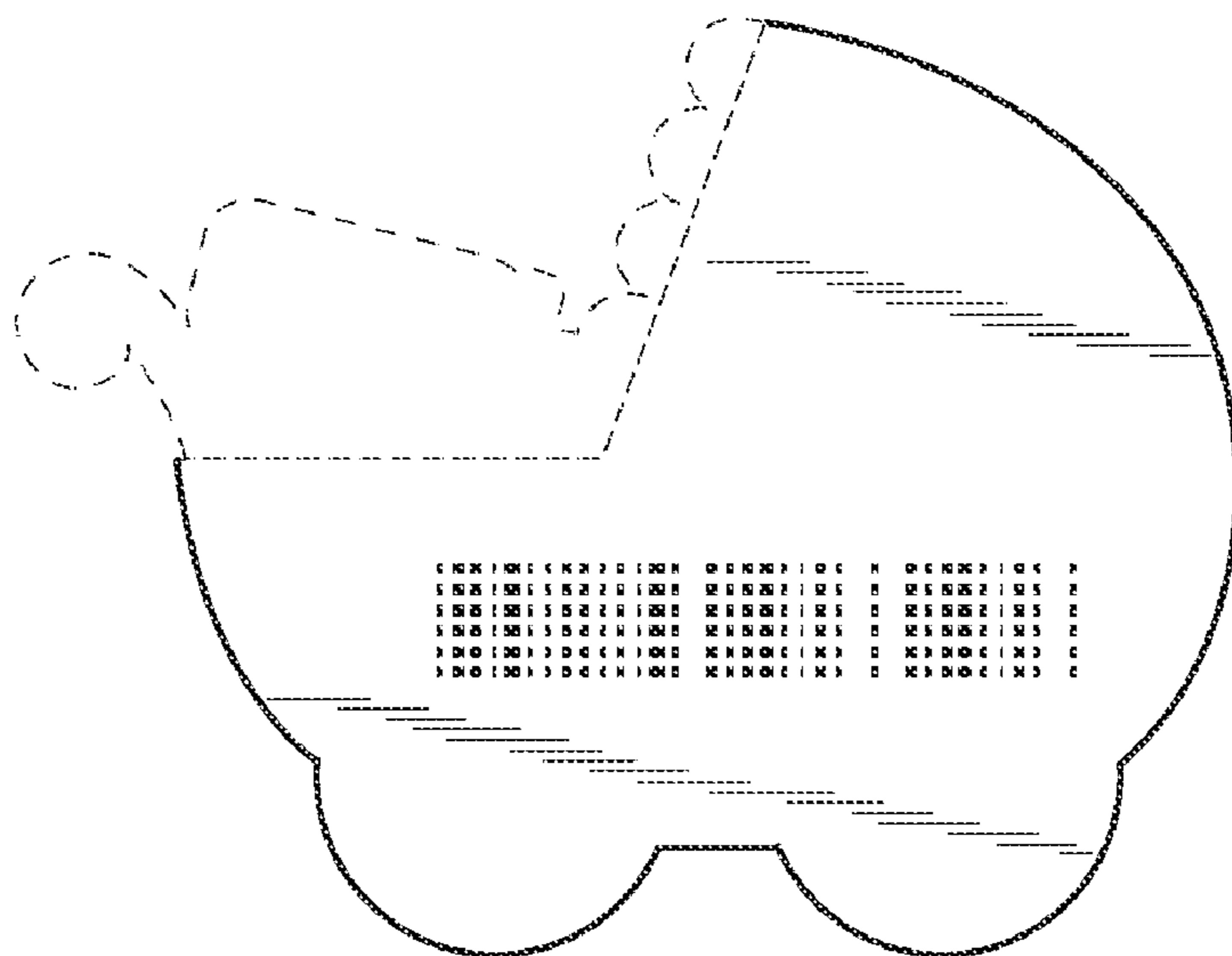


Fig. 3

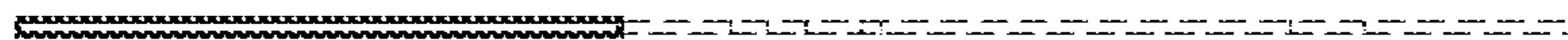


Fig. 4



Fig. 5



Fig. 6



Fig. 7