



US00D616011S

(12) **United States Design Patent**  
**Dittmer**

(10) **Patent No.:** **US D616,011 S**  
(45) **Date of Patent:** **\*\* May 18, 2010**

(54) **UNIVERSAL PROJECTOR MOUNT**

5,946,404 A 8/1999 Bakshi et al.

(75) Inventor: **Jay Dittmer**, Prior Lake, MN (US)

(Continued)

(73) Assignee: **Milestone AV Technologies LLC**,  
Savage, MN (US)

**OTHER PUBLICATIONS**

Pair File History for U.S. Appl. No. 29/319,672, filed Jun. 12, 2008.

(\*\*) Term: **14 Years**

*Primary Examiner*—Ian Simmons

*Assistant Examiner*—Wan Laymon

(21) Appl. No.: **29/343,378**

(74) *Attorney, Agent, or Firm*—Patterson Thuent  
Christensen Pedersen, PA

(22) Filed: **Sep. 11, 2009**

(57) **CLAIM**

**Related U.S. Application Data**

The ornamental design for a universal projector mount, as shown and described.

(63) Continuation of application No. 29/319,672, filed on Jun. 12, 2008, now Pat. No. Des. 602,514.

**DESCRIPTION**

(51) **LOC (9) Cl.** ..... **16-05**

FIG. 1 is a front perspective view of a universal projector mount according to the invention;

(52) **U.S. Cl.** ..... **D16/235; D16/242**

FIG. 2 is a top plan view of the universal projector mount depicted in FIG. 1;

(58) **Field of Classification Search** ..... D16/235,

D16/242, 244–245; D8/349, 354–355; 248/176.3,

248/221.11, 519, 523, 187.1, 121, 278.1,

248/317, 344, 149; 352/243, 428

See application file for complete search history.

FIG. 3 is a bottom plan view of the universal projector mount depicted in FIG. 1;

(56) **References Cited**

FIG. 4 is a front elevation view of the universal projector mount depicted in FIG. 1;

**U.S. PATENT DOCUMENTS**

837,388 A \* 12/1906 Curial ..... 248/149

958,644 A 5/1910 Huff

1,568,758 A 1/1926 Malcolm

4,118,002 A \* 10/1978 Bartlett ..... 248/149

4,964,606 A 10/1990 Beam et al.

4,967,508 A 11/1990 Reynolds

4,993,676 A 2/1991 Fitts et al.

5,009,384 A 4/1991 Gerke et al.

5,383,641 A 1/1995 Bergetz

5,490,655 A 2/1996 Bates

5,551,658 A 9/1996 Dittmer

5,621,846 A 4/1997 Smith et al.

5,730,410 A 3/1998 Archambault et al.

5,938,161 A 8/1999 Takeuchi et al.

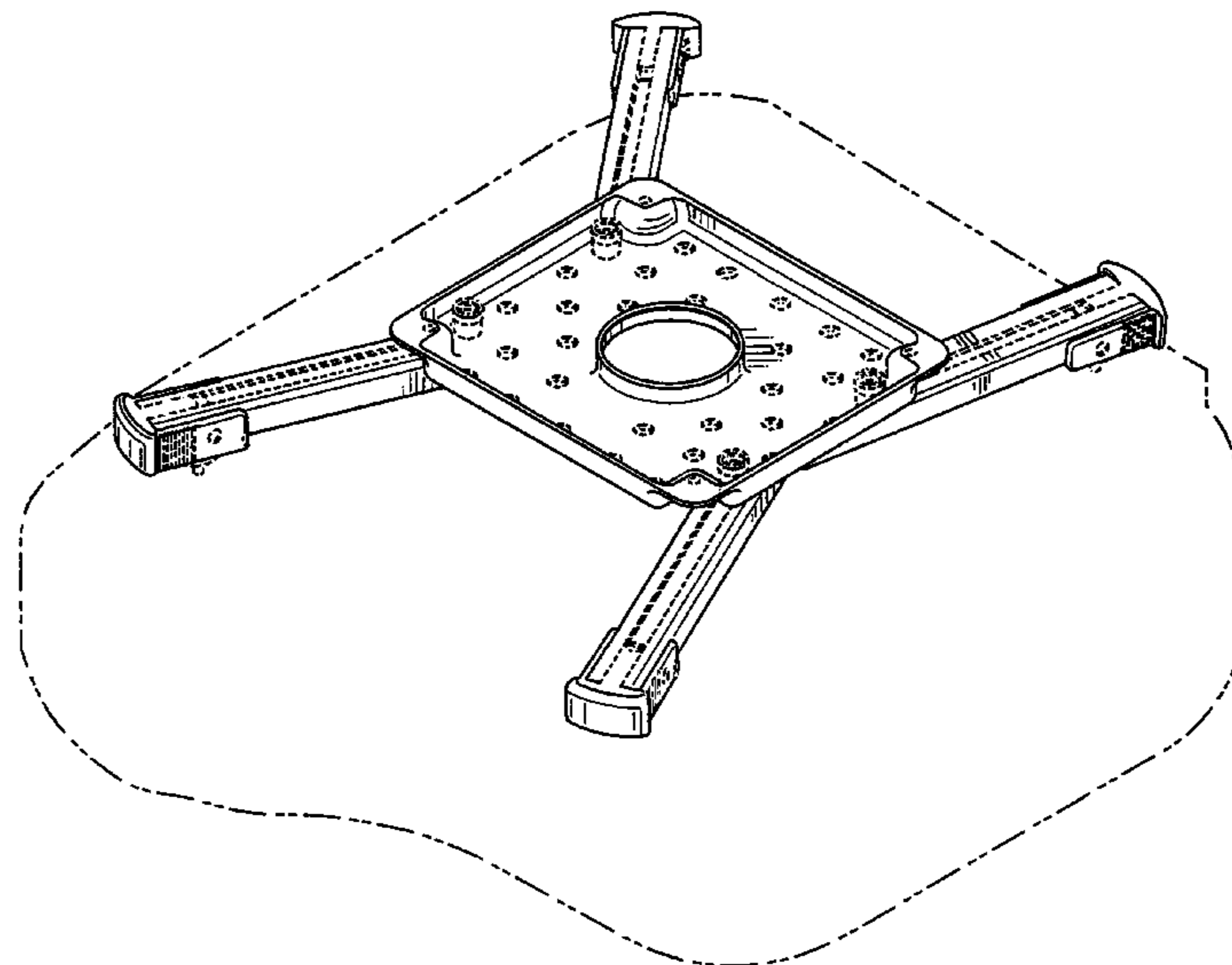
FIG. 5 is a side elevation view of the universal projector mount depicted in FIG. 1;

FIG. 6 is a rear elevation view of the universal projector mount depicted in FIG. 1; and,

FIG. 7 is an opposing side elevation view of the universal projector mount depicted in FIG. 1.

The broken lines immediately adjacent to the shaded areas represent the bounds of the claimed design while all other broken lines are included for the purpose of illustrating environmental structure only; the broken lines form no part of the claimed design.

**1 Claim, 4 Drawing Sheets**



# US D616,011 S

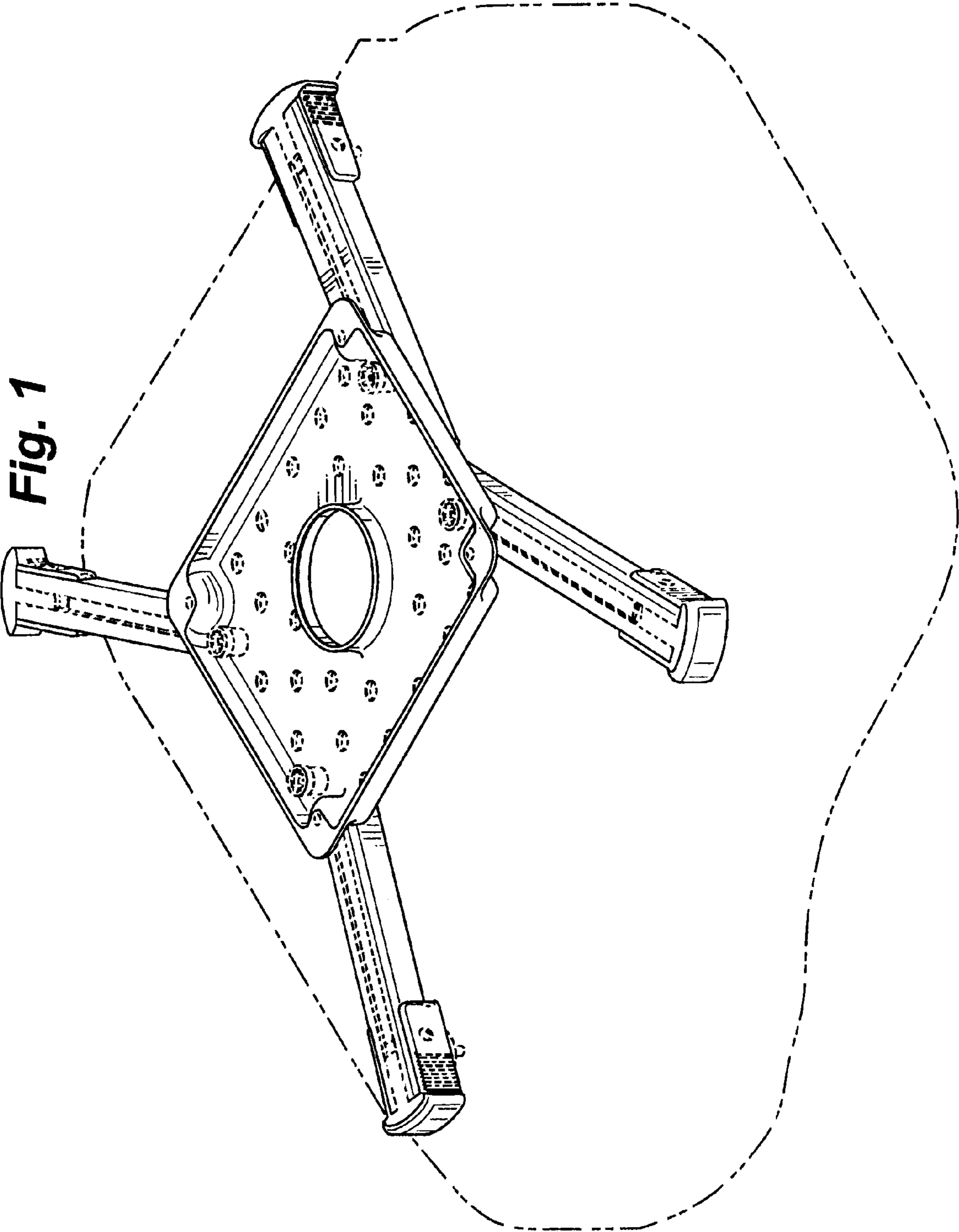
Page 2

---

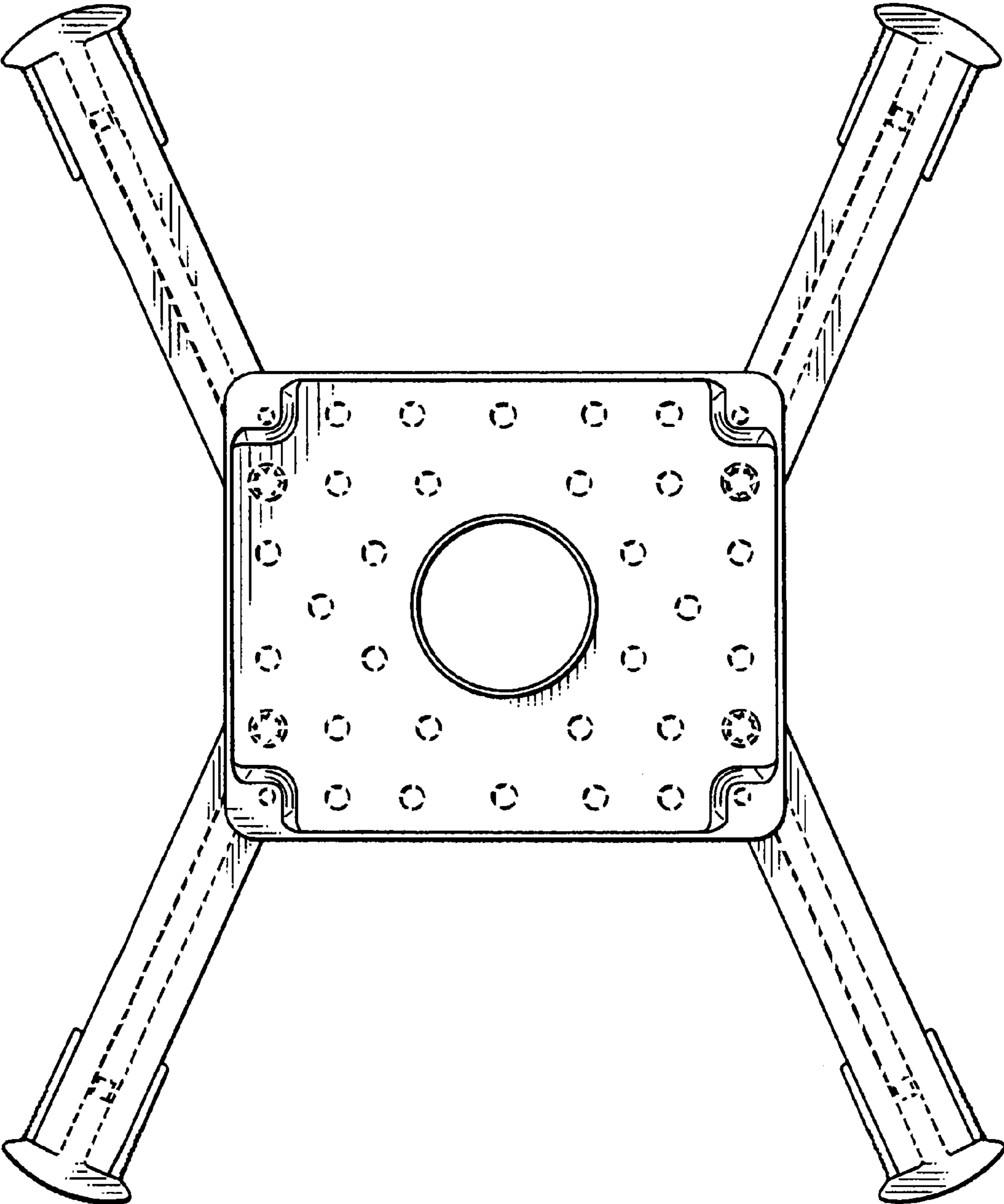
## U.S. PATENT DOCUMENTS

6,042,068	A	3/2000	Tcherny				
6,227,513	B1 *	5/2001	Richard .....	248/149			
6,527,238	B2	3/2003	Shental et al.				
6,708,940	B2	3/2004	Ligertwood				
D504,305	S	4/2005	Gillespie et al.				
D513,470	S	1/2006	Gillespie et al.				
					D540,367	S	4/2007 Dittmer
					D546,366	S	7/2007 Dittmer
					7,503,536	B2 *	3/2009 Friederich et al. .... 248/324
					D597,582	S *	8/2009 Anderson et al. .... D16/235
					D602,514	S *	10/2009 Dittmer ..... D16/235
					2006/0291152	A1	12/2006 Bremmon

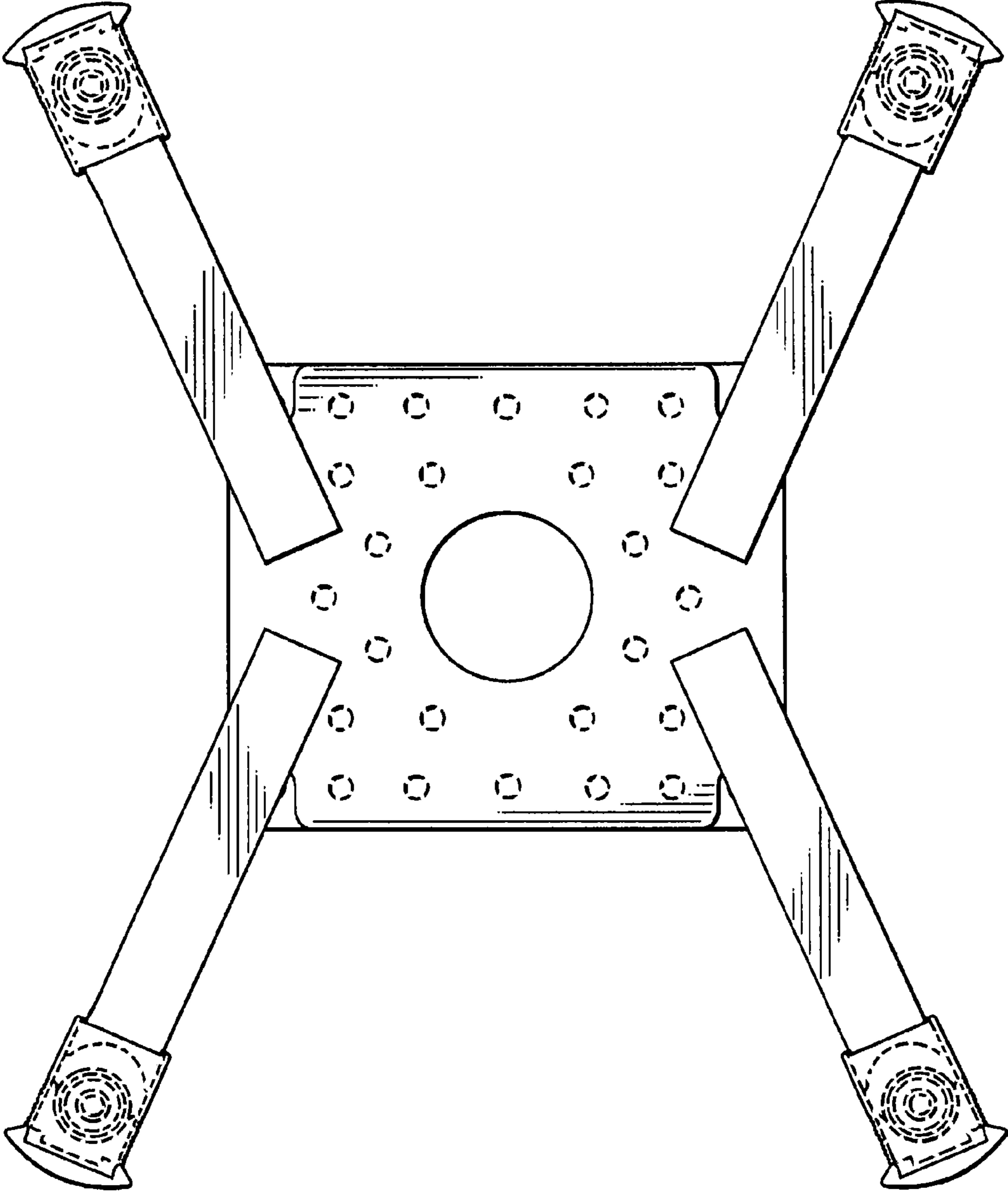
\* cited by examiner



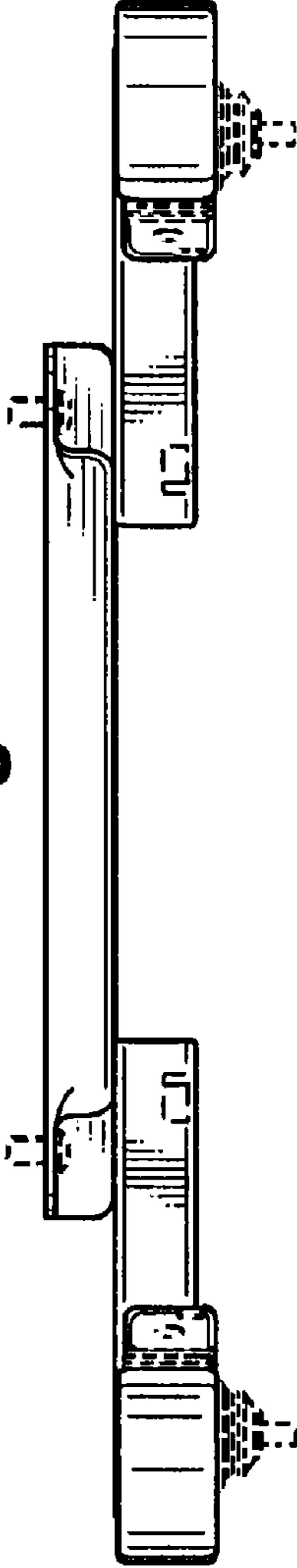
**Fig. 2**



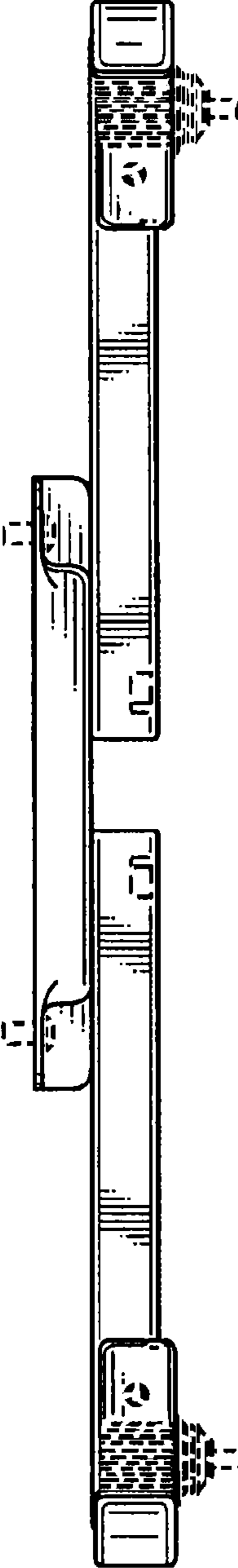
**Fig. 3**



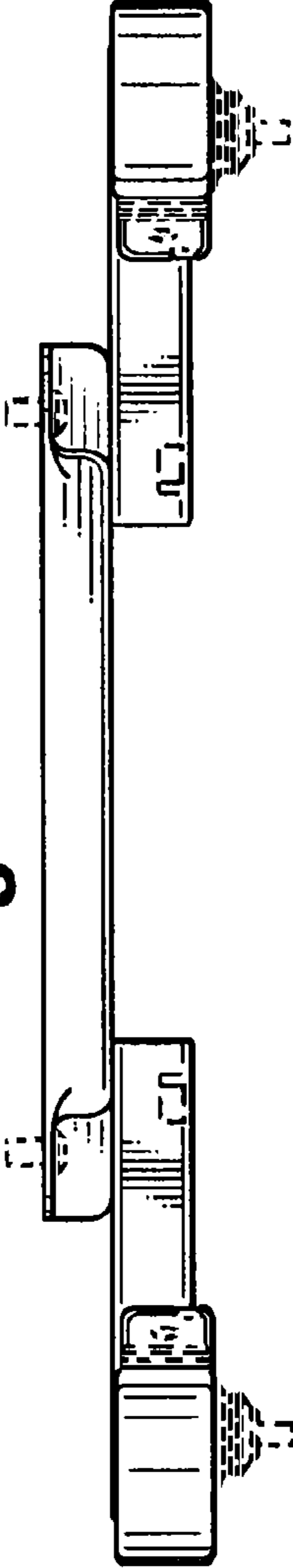
**Fig. 4**



**Fig. 5**



**Fig. 6**



**Fig. 7**

