



US00D616010S

(12) **United States Design Patent**
Song et al.

(10) **Patent No.:** **US D616,010 S**
(45) **Date of Patent:** **** May 18, 2010**

(54) **PROJECTOR**

(75) Inventors: **Jae-Seung Song**, Seoul (KR);
Min-Hyong Boo, Seoul (KR)

(73) Assignee: **Samsung Electronics Co., Ltd.**, Suwon,
Kyunggi-do (KR)

(**) Term: **14 Years**

(21) Appl. No.: **29/314,208**

(22) Filed: **Mar. 13, 2009**

(51) **LOC (9) Cl.** **16-02**

(52) **U.S. Cl.** **D16/230; D16/225**

(58) **Field of Classification Search** D16/205,
D16/208, 221, 225, 229, 230-231, 234; D21/514;
353/115, 119, 122

See application file for complete search history.

(56) **References Cited**

U.S. PATENT DOCUMENTS

D397,709 S	9/1998	Park et al.	
D401,953 S	12/1998	Oh et al.	
D401,954 S	12/1998	Oh et al.	
D494,995 S	8/2004	Kim et al.	
D515,127 S *	2/2006	Schoenert et al.	D16/230
D520,549 S *	5/2006	Tako	D16/230
D546,864 S	7/2007	Kim	
D552,657 S *	10/2007	Oota	D16/230
D557,316 S	12/2007	Bang et al.	

D574,877 S *	8/2008	Schoenert et al.	D16/230
D581,963 S	12/2008	Kang et al.	
D584,327 S	1/2009	Kang et al.	
D590,866 S *	4/2009	Deguchi	D16/235

* cited by examiner

Primary Examiner—Ian Simmons

Assistant Examiner—Wan Laymon

(74) *Attorney, Agent, or Firm*—Flynn, Thiel, Boutell & Tanis,
P.C.

(57) **CLAIM**

The ornamental design for a projector, as shown and described.

DESCRIPTION

FIG. 1 is a top front perspective view of a projector showing our new design;

FIG. 2 is an enlarged front elevational view thereof;

FIG. 3 is an enlarged rear elevational view thereof;

FIG. 4 is an enlarged left side elevational view thereof;

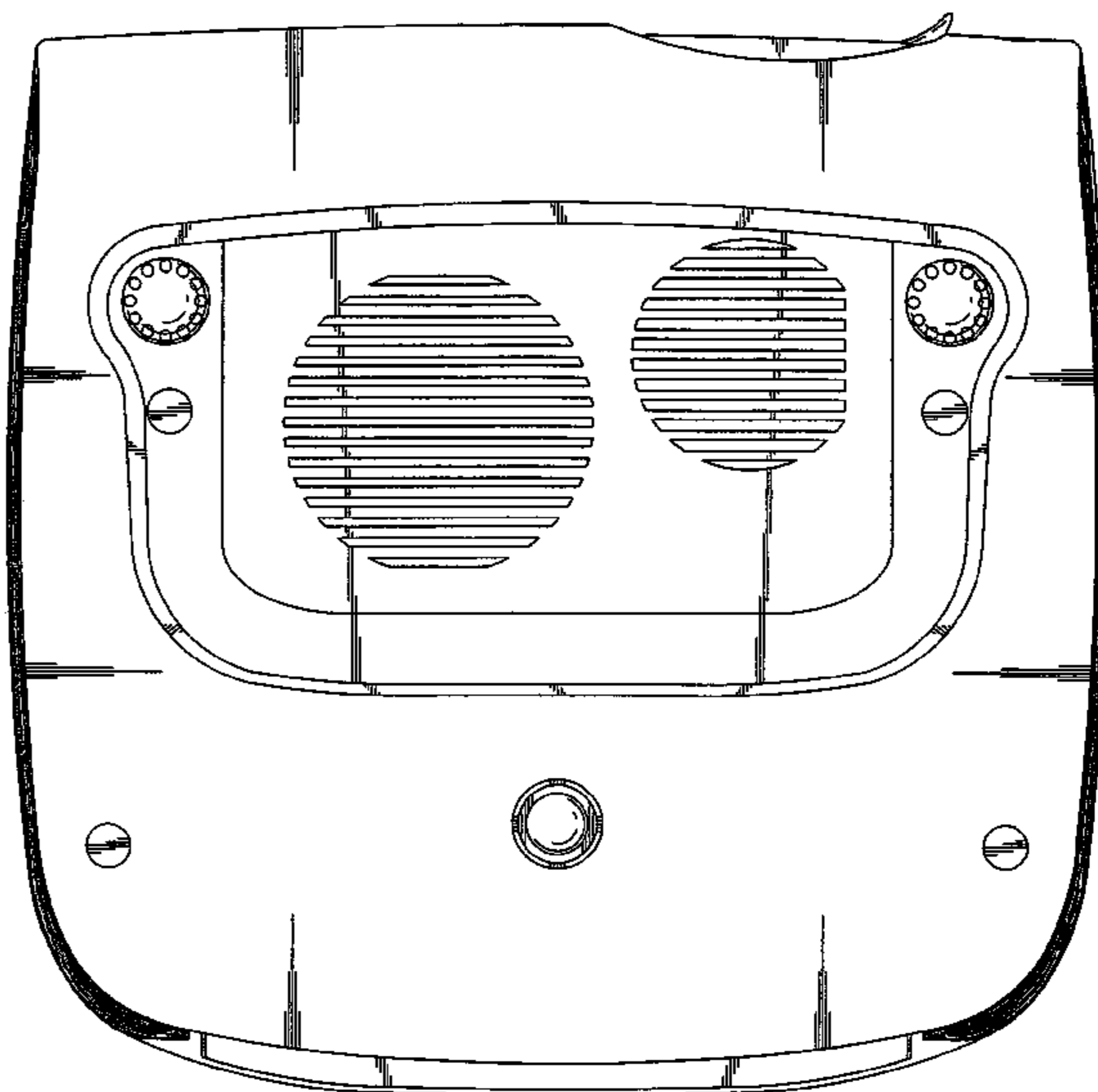
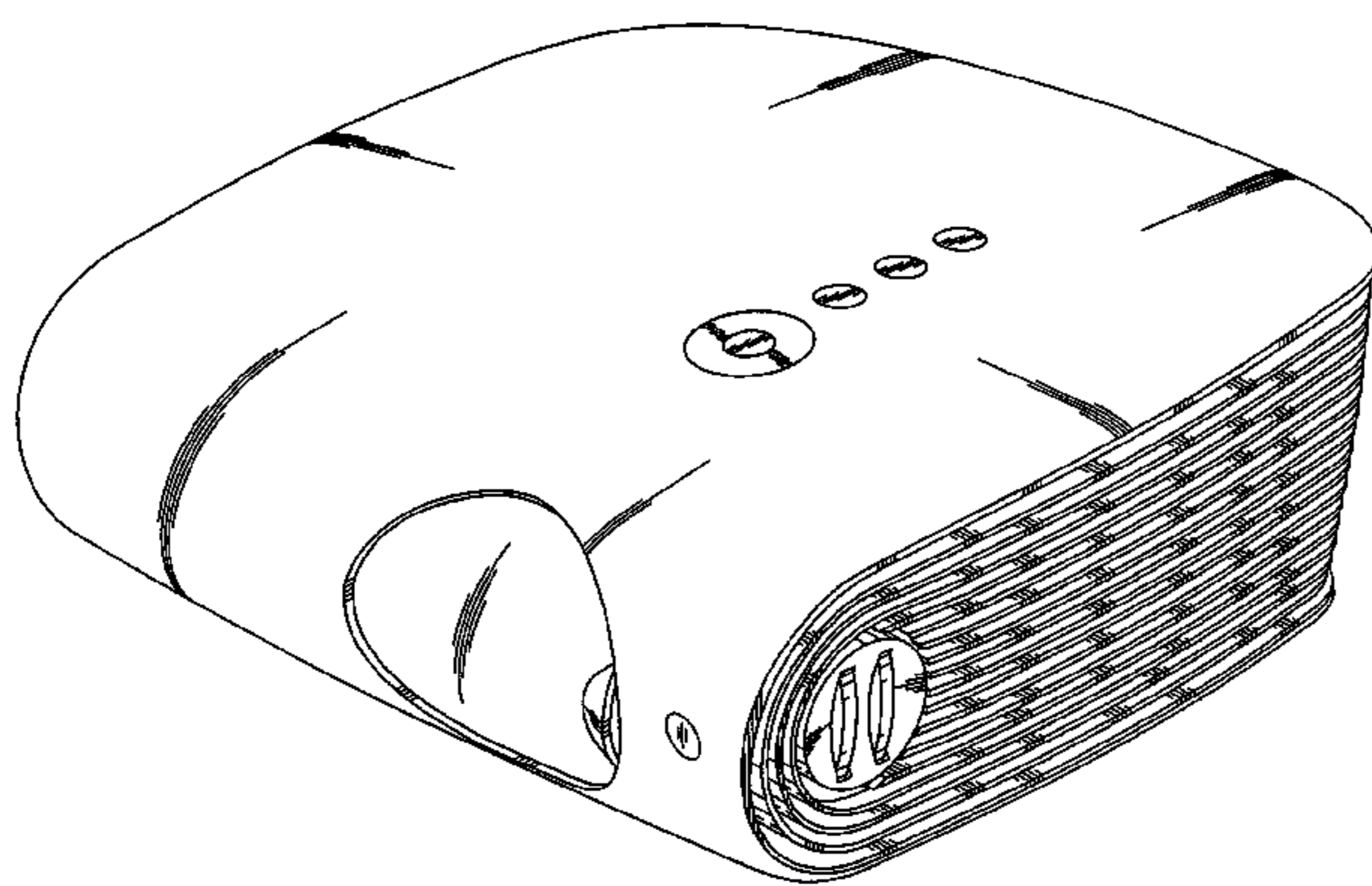
FIG. 5 is an enlarged right side elevational view thereof;

FIG. 6 is an enlarged top plan view thereof; and,

FIG. 7 is an enlarged bottom plan view thereof.

The broken lines are for illustration only and form no part of the claimed design.

1 Claim, 5 Drawing Sheets



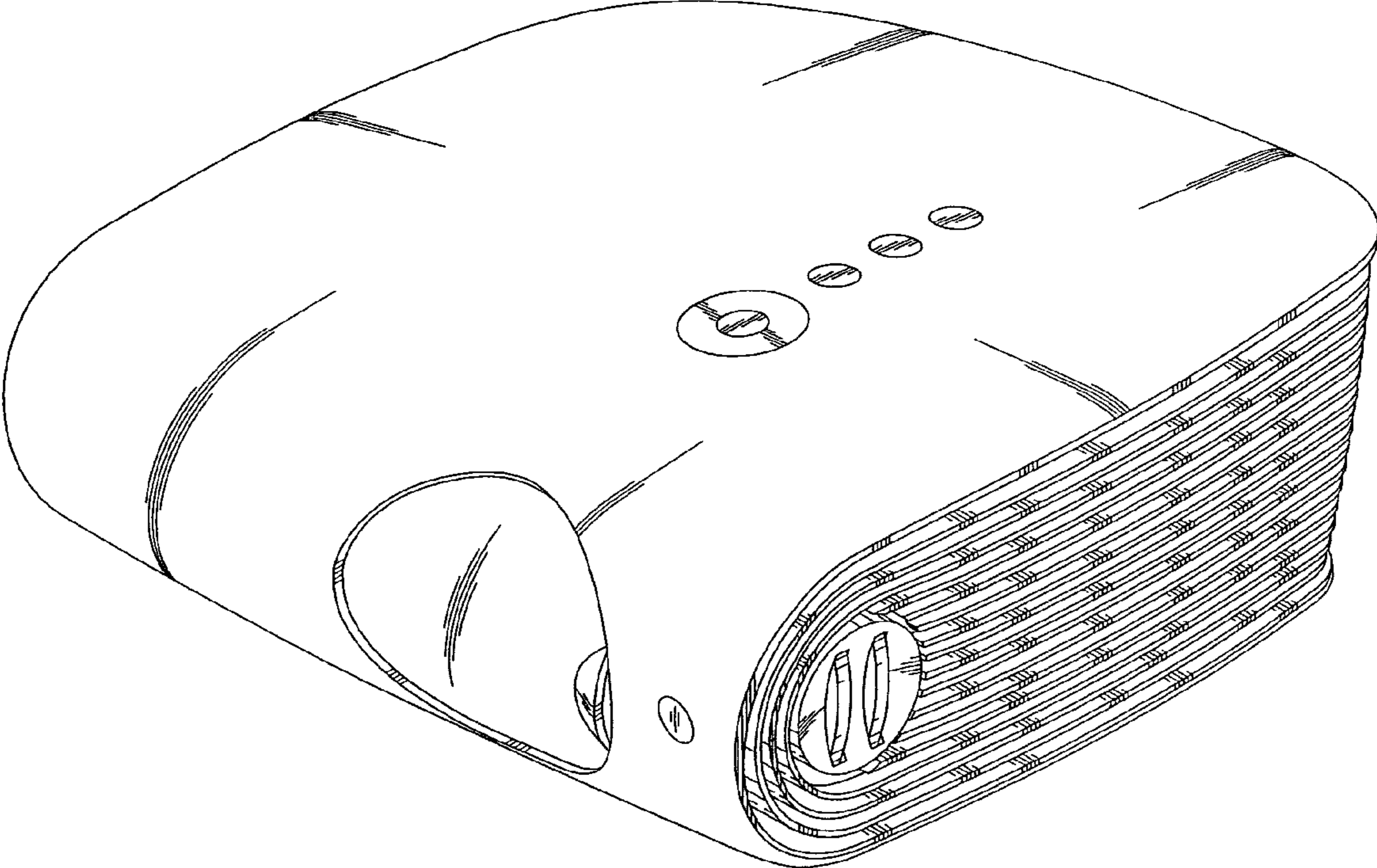


FIG. 1

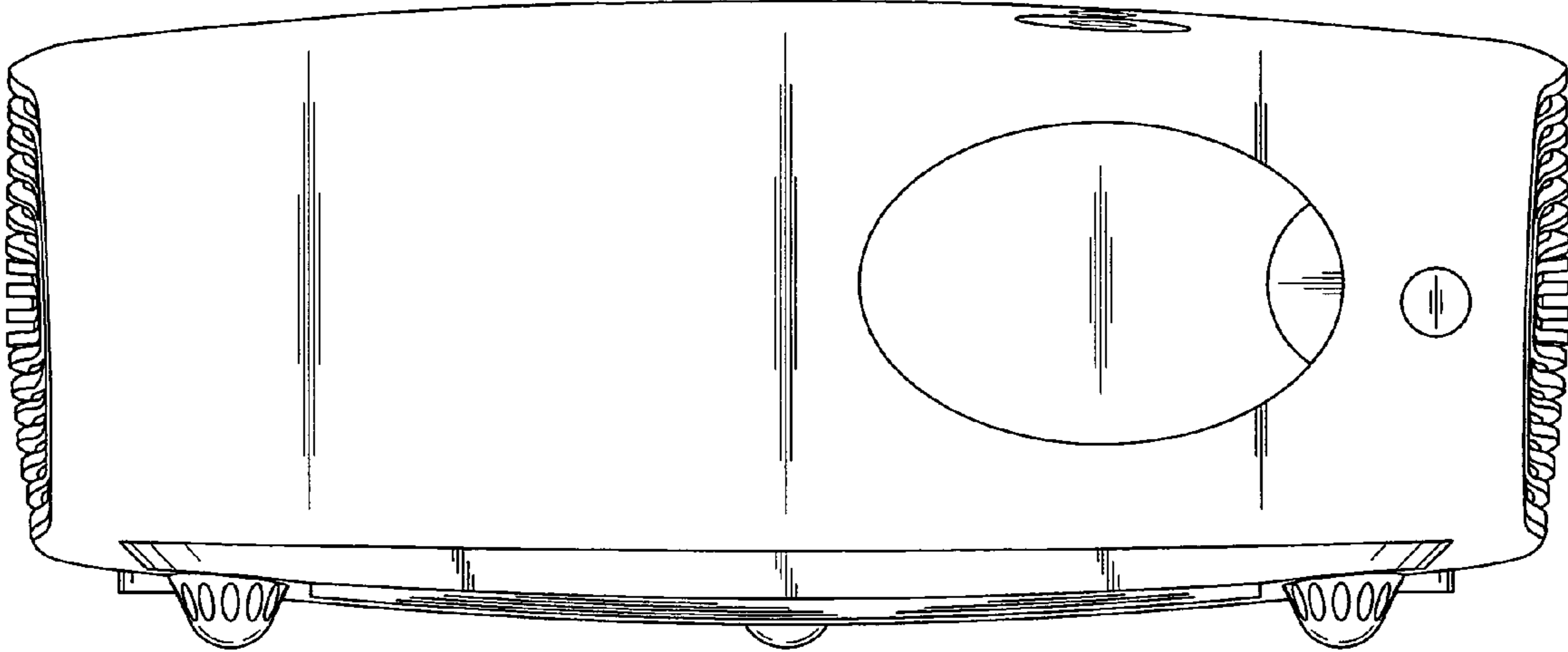


FIG. 2

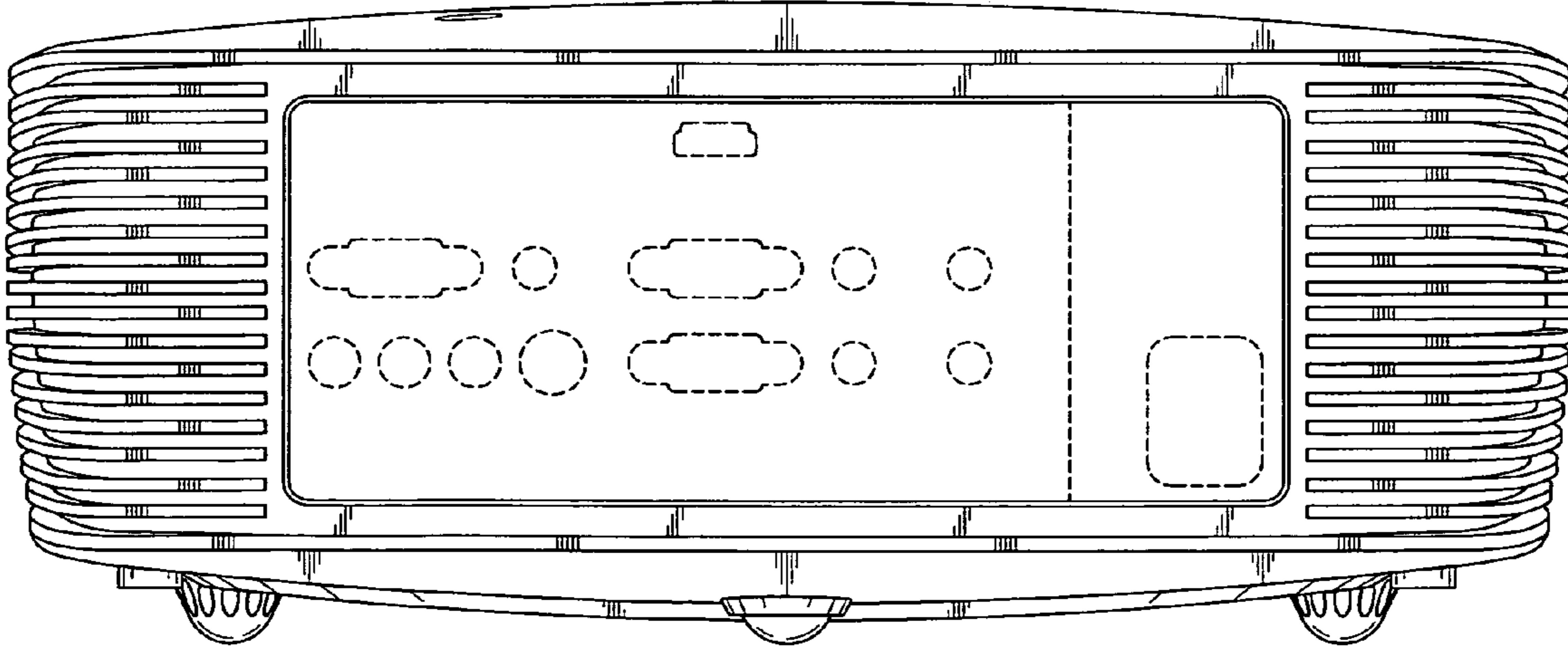


FIG. 3

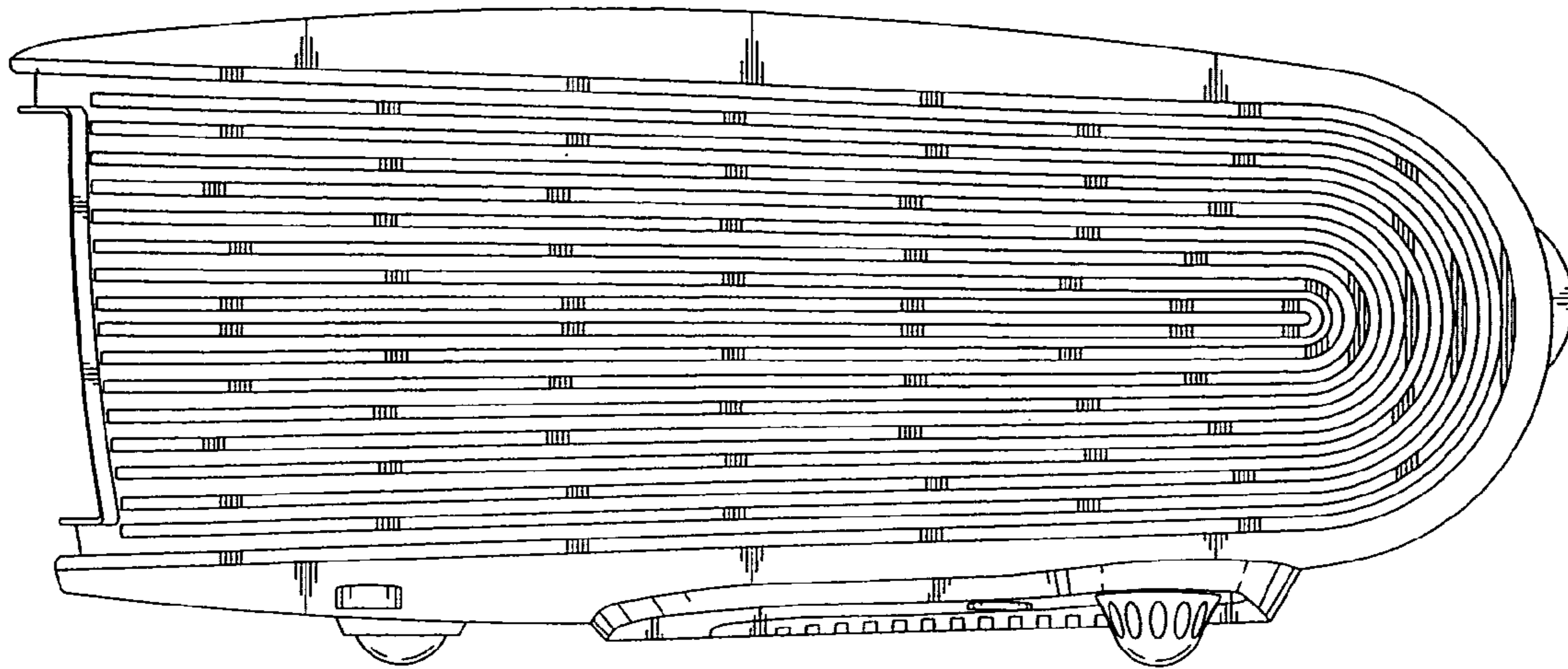


FIG. 4

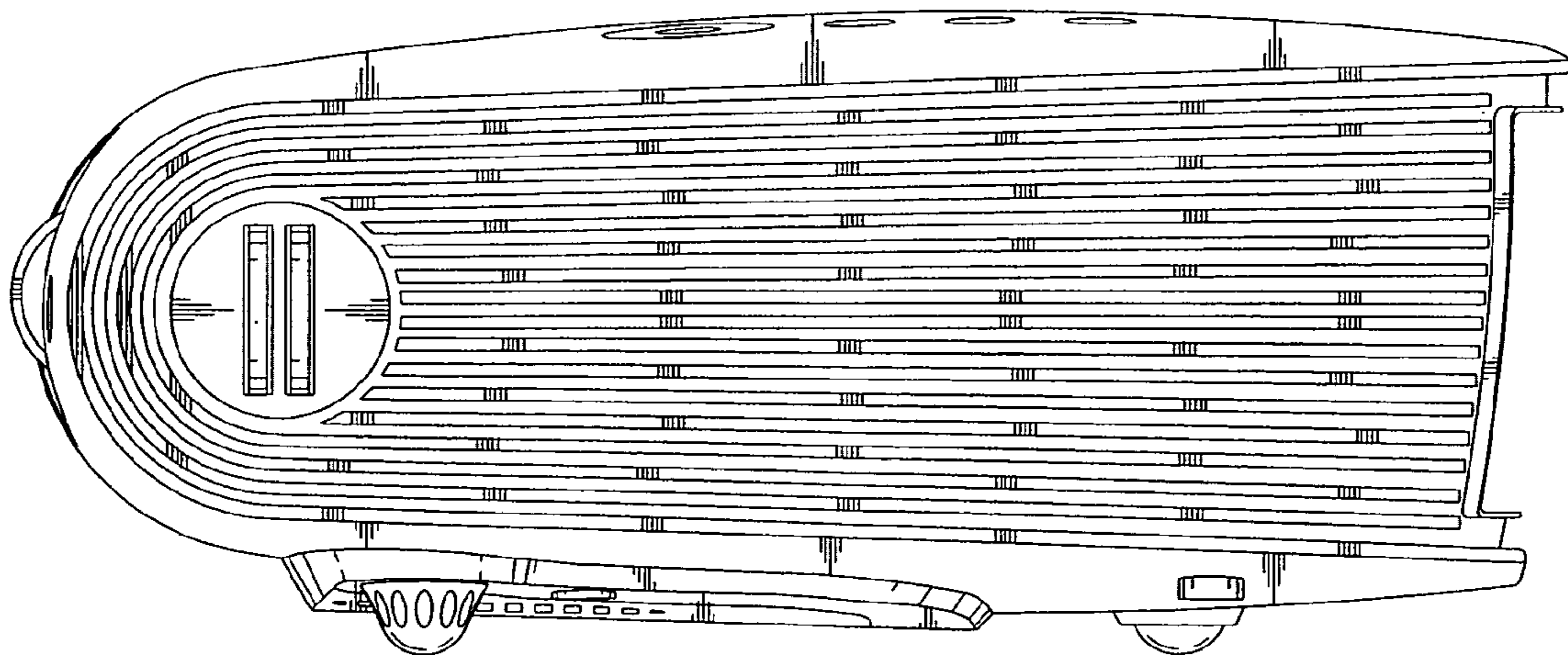


FIG. 5

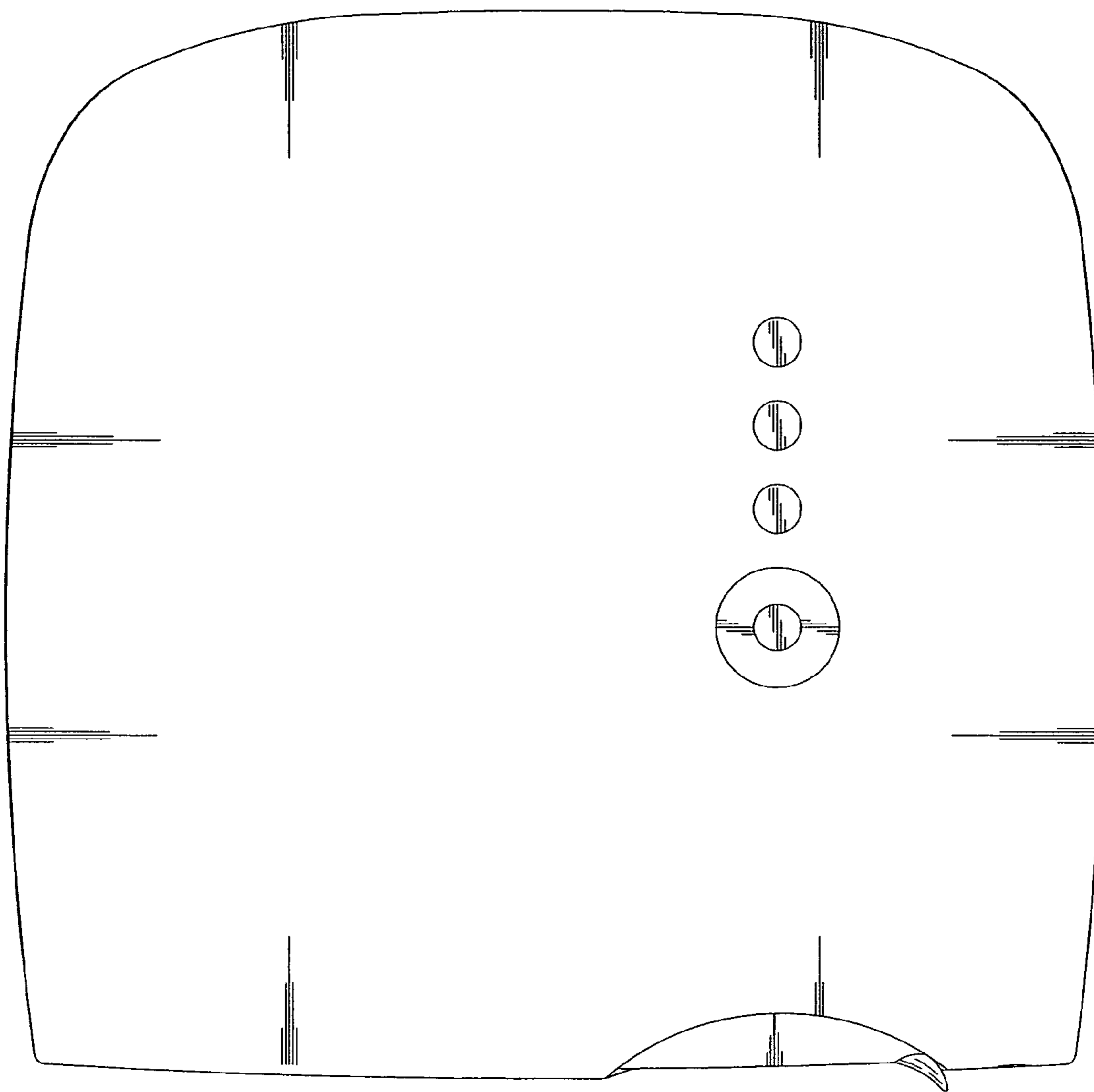


FIG. 6

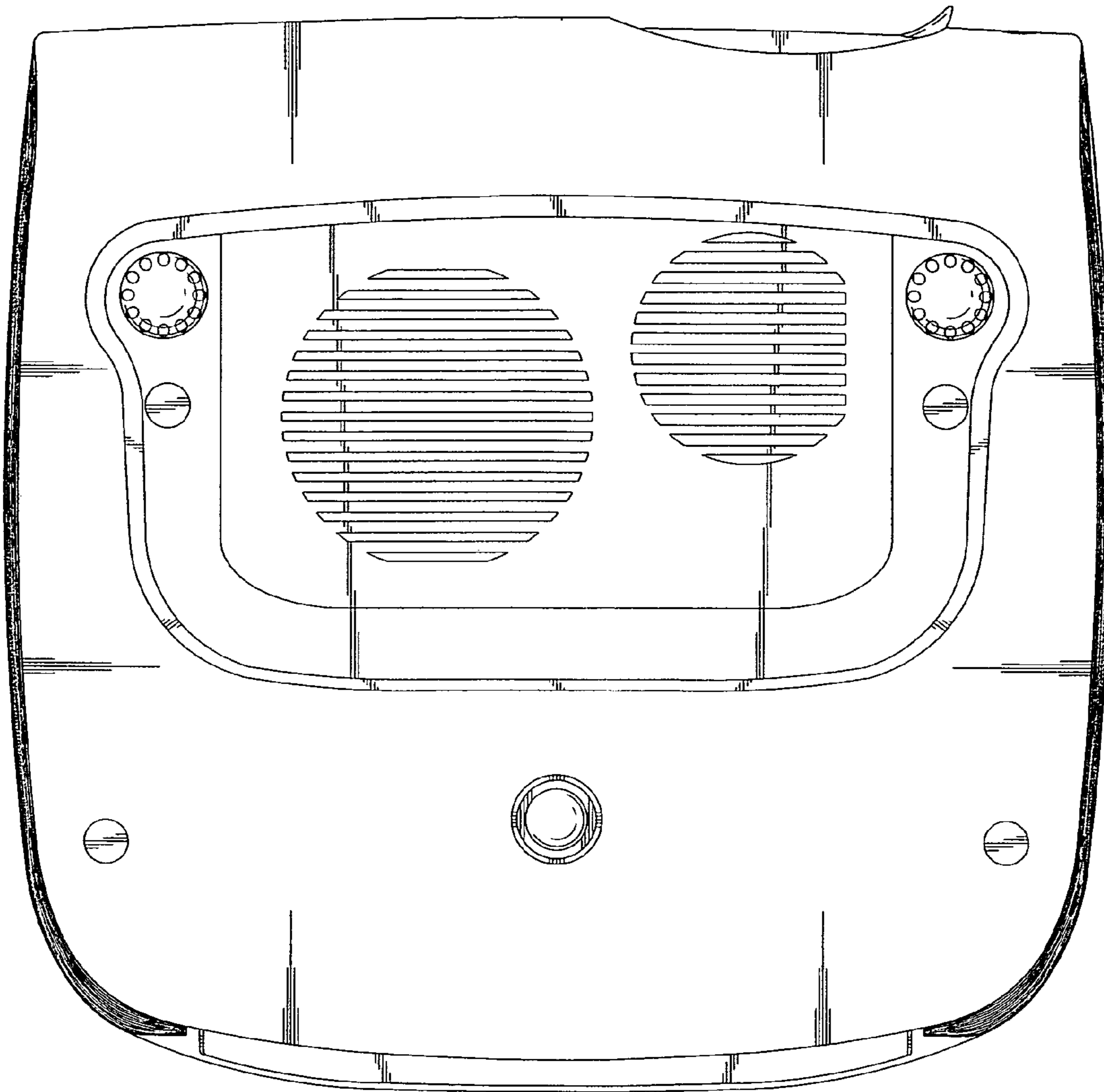


FIG. 7