



(12) **United States Design Patent**
Enervold

(10) **Patent No.:** **US D616,008 S**
(45) **Date of Patent:** **** May 18, 2010**

(54) **CAMERA**

(75) Inventor: **Erik Enervold**, Morris, IL (US)
(73) Assignee: **MerchSource, LLC**, Foothill Ranch, CA (US)
(**) Term: **14 Years**
(21) Appl. No.: **29/325,330**
(22) Filed: **Sep. 29, 2008**
(Under 37 CFR 1.47)

(30) **Foreign Application Priority Data**
May 19, 2008 (CN) 2008 3 0049045
(51) **LOC (9) Cl.** **16-01**
(52) **U.S. Cl.** **D16/218; D21/514**
(58) **Field of Classification Search** D16/200,
D16/201, 204, 206, 208, 218; D21/514;
396/25-29, 535-541
See application file for complete search history.

(56) **References Cited**
U.S. PATENT DOCUMENTS
D145,982 S * 11/1946 Mayer D16/218
D181,353 S * 11/1957 Goldfarb et al. D21/514
D385,289 S * 10/1997 Tsui D16/218
D426,251 S * 6/2000 Wood D16/218
D487,485 S * 3/2004 Niu D21/514
D527,406 S * 8/2006 Lin D16/202

OTHER PUBLICATIONS

Kids Digital Cameras make great christmas and birthday gifts for children, www.kidsdigital-cameras.com (Vtech Kids camera) Aug. 7, 2009 by adm.*
Vtech Kidizoom Plus Pre-School 2.0MP Digital Camera; Toys R Us.
* cited by examiner

Primary Examiner—Adir Aronovich
(74) *Attorney, Agent, or Firm*—The Eclipse Group LLP

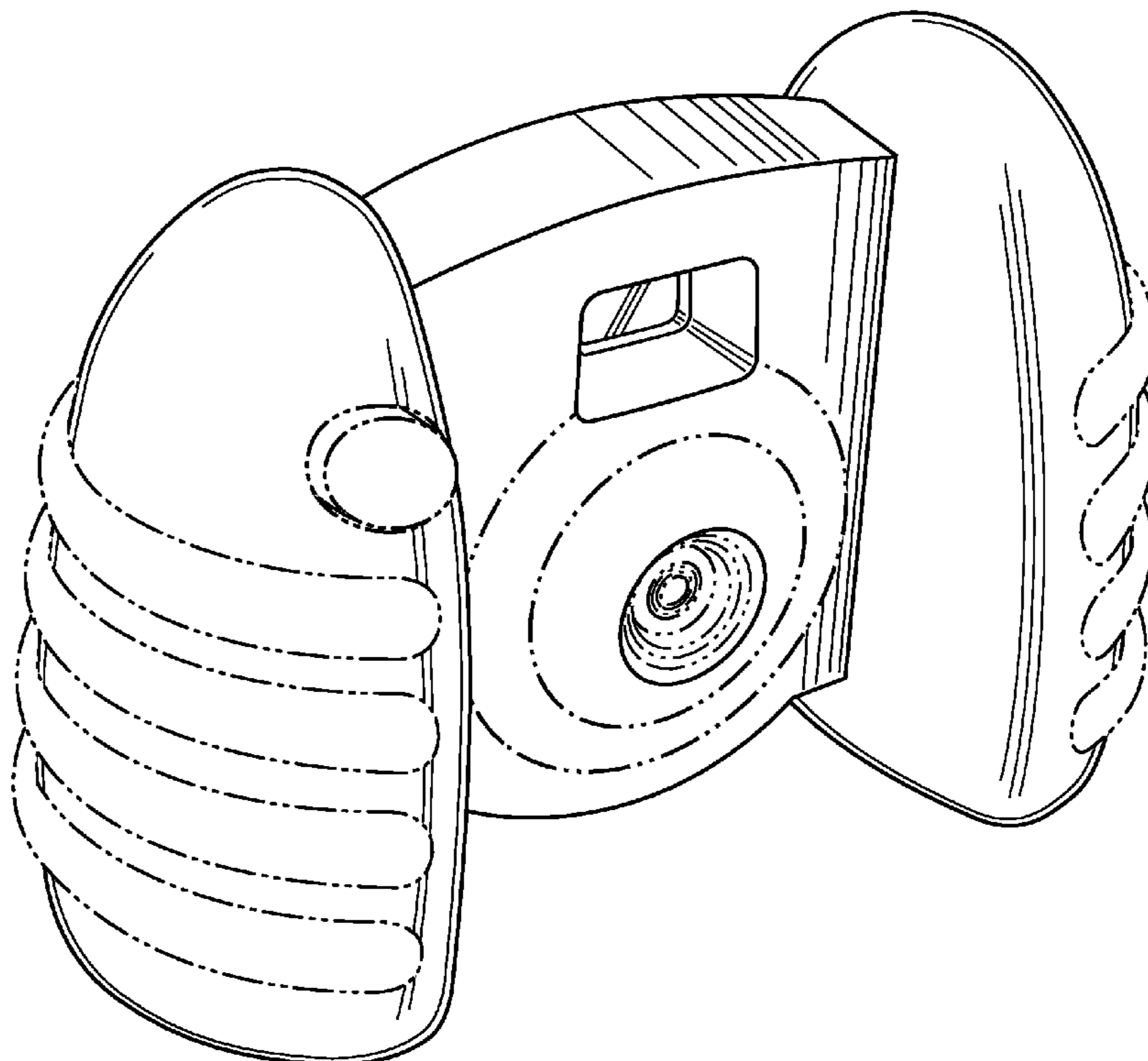
(57) **CLAIM**

The ornamental design for a camera, as shown and described.

DESCRIPTION

FIG. 1 is a front and left side perspective view of a camera showing our new design;
FIG. 2 is a rear and right side perspective view thereof;
FIG. 3 is a front elevational view of the camera illustrated in FIG. 1.
FIG. 4 is a rear elevational view of the camera illustrated in FIG. 1.
FIG. 5 is a right side elevational view thereof;
FIG. 6 is a left side elevational view thereof;
FIG. 7 is top plan view thereof; and,
FIG. 8 is bottom plan view thereof.
The portions of the camera in broken lines are shown for illustrative purposes only and form no part of the claimed design.

1 Claim, 7 Drawing Sheets



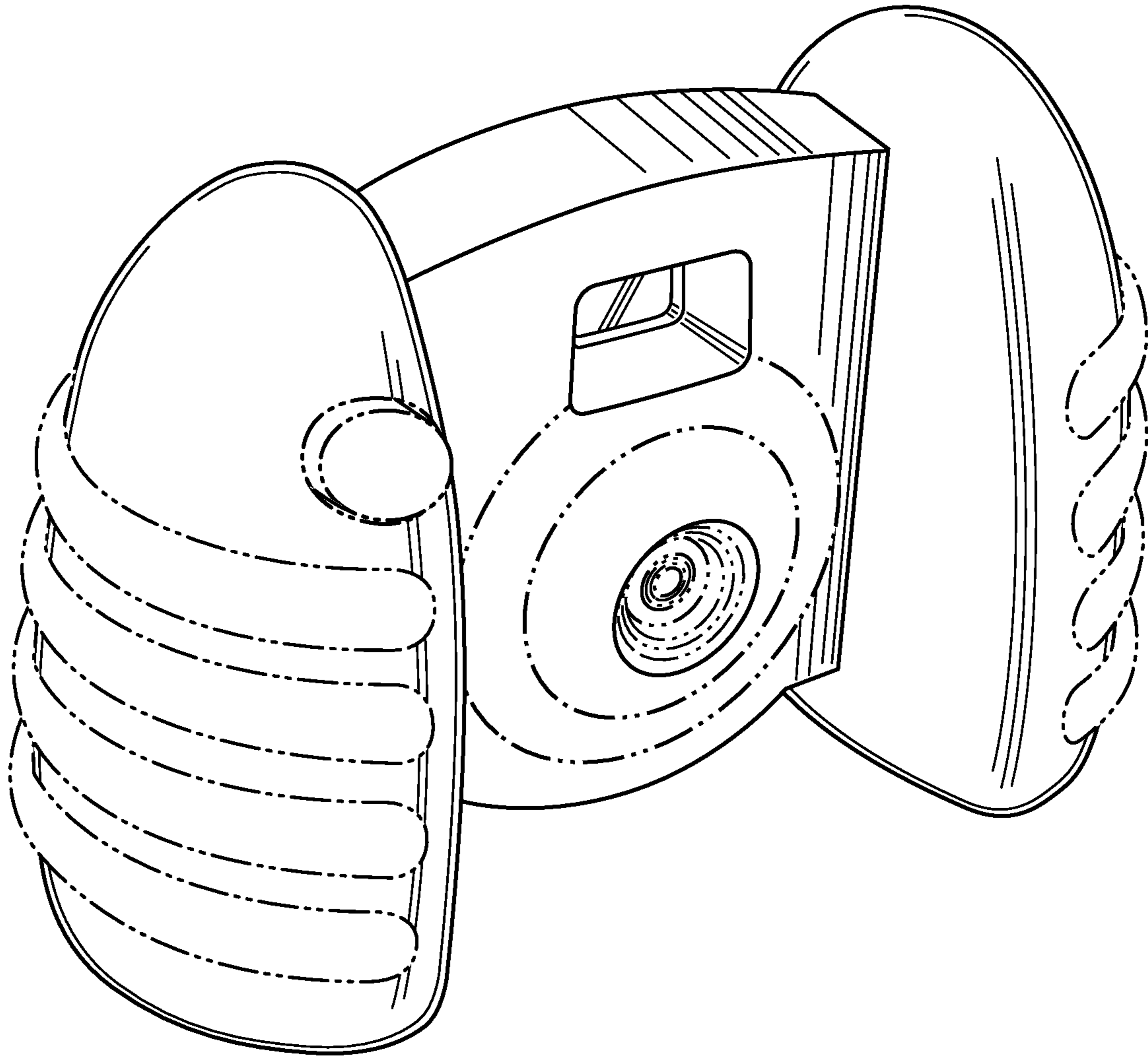


Fig. 1

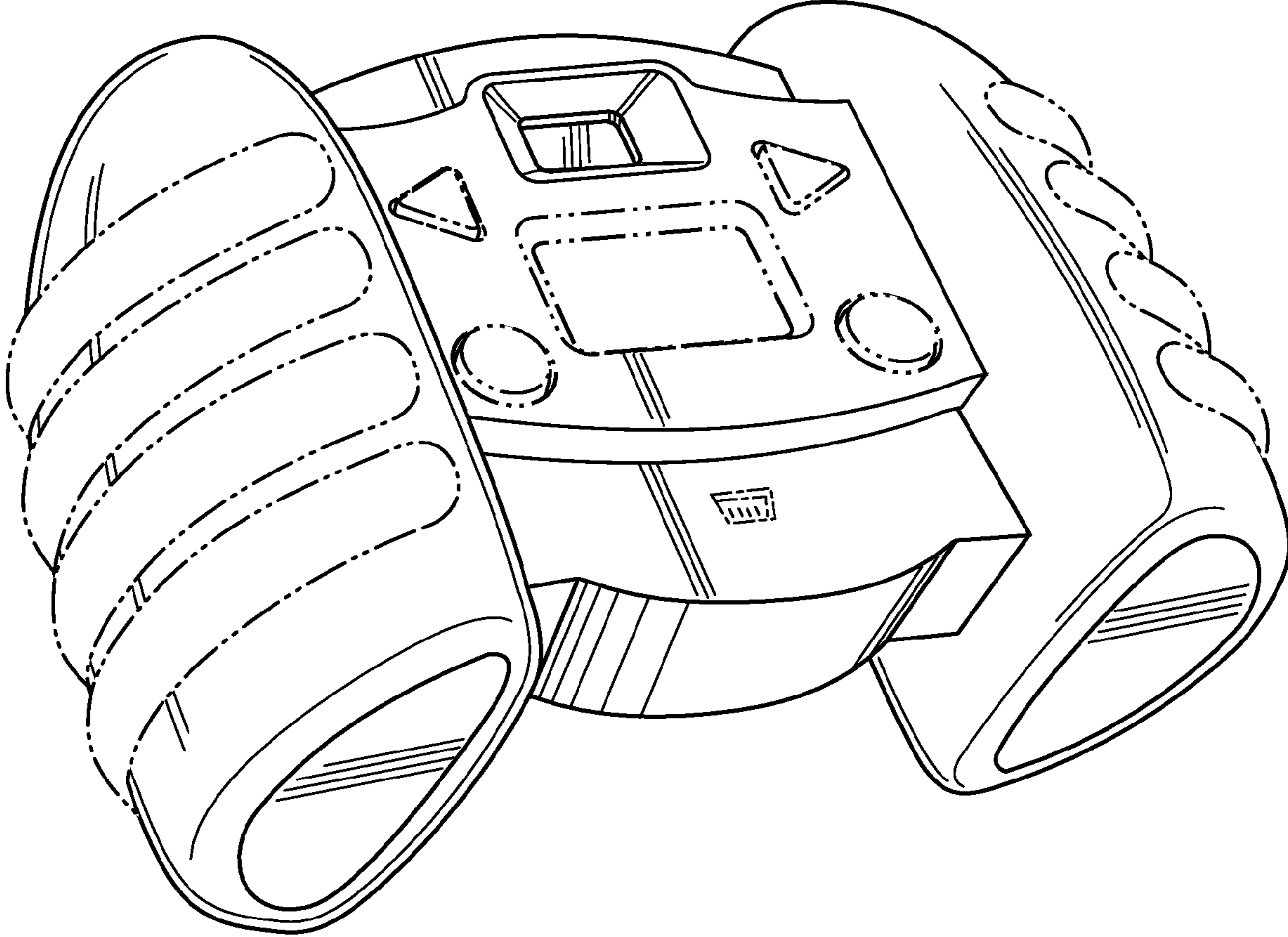


Fig. 2

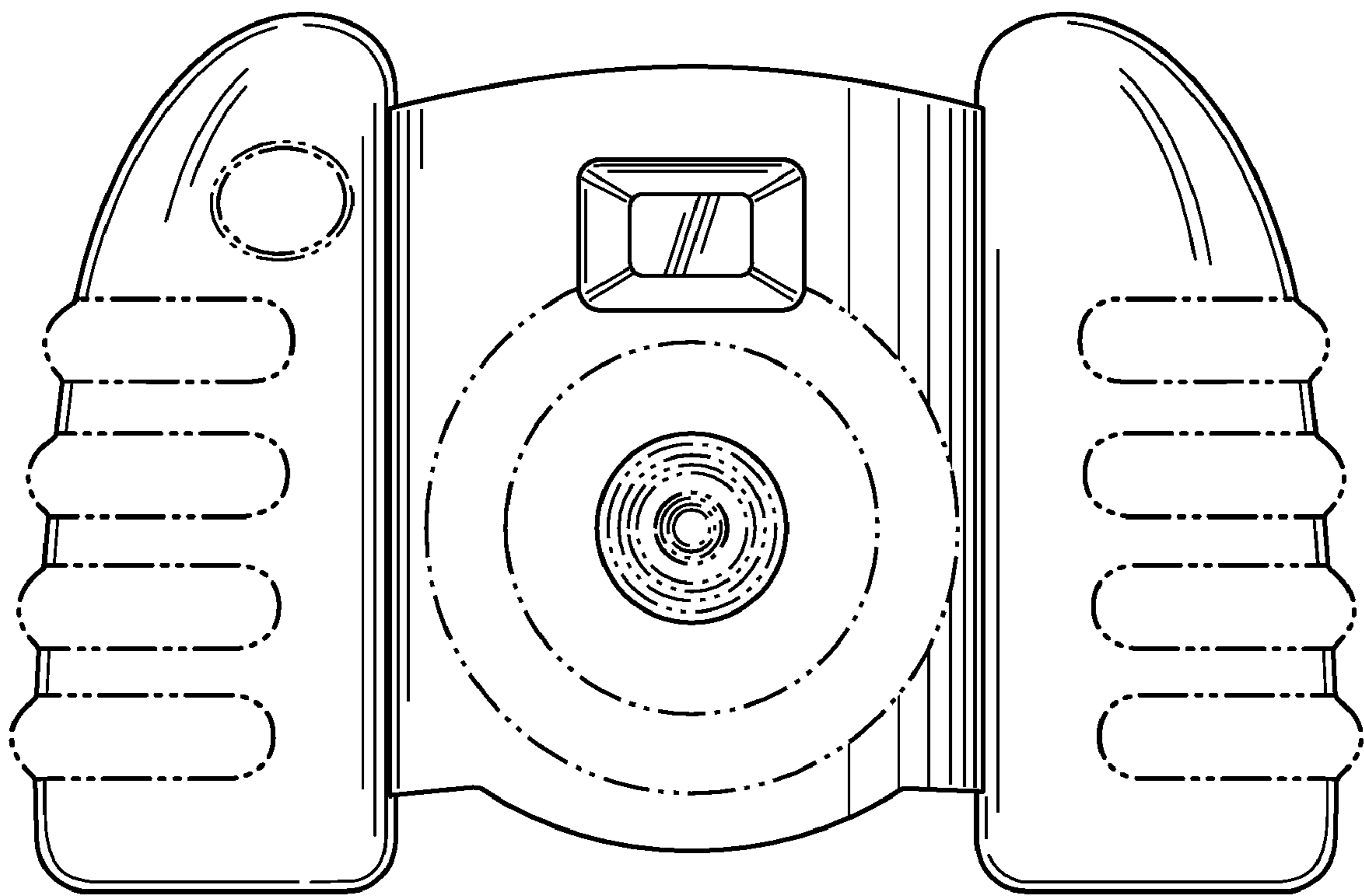


Fig. 3

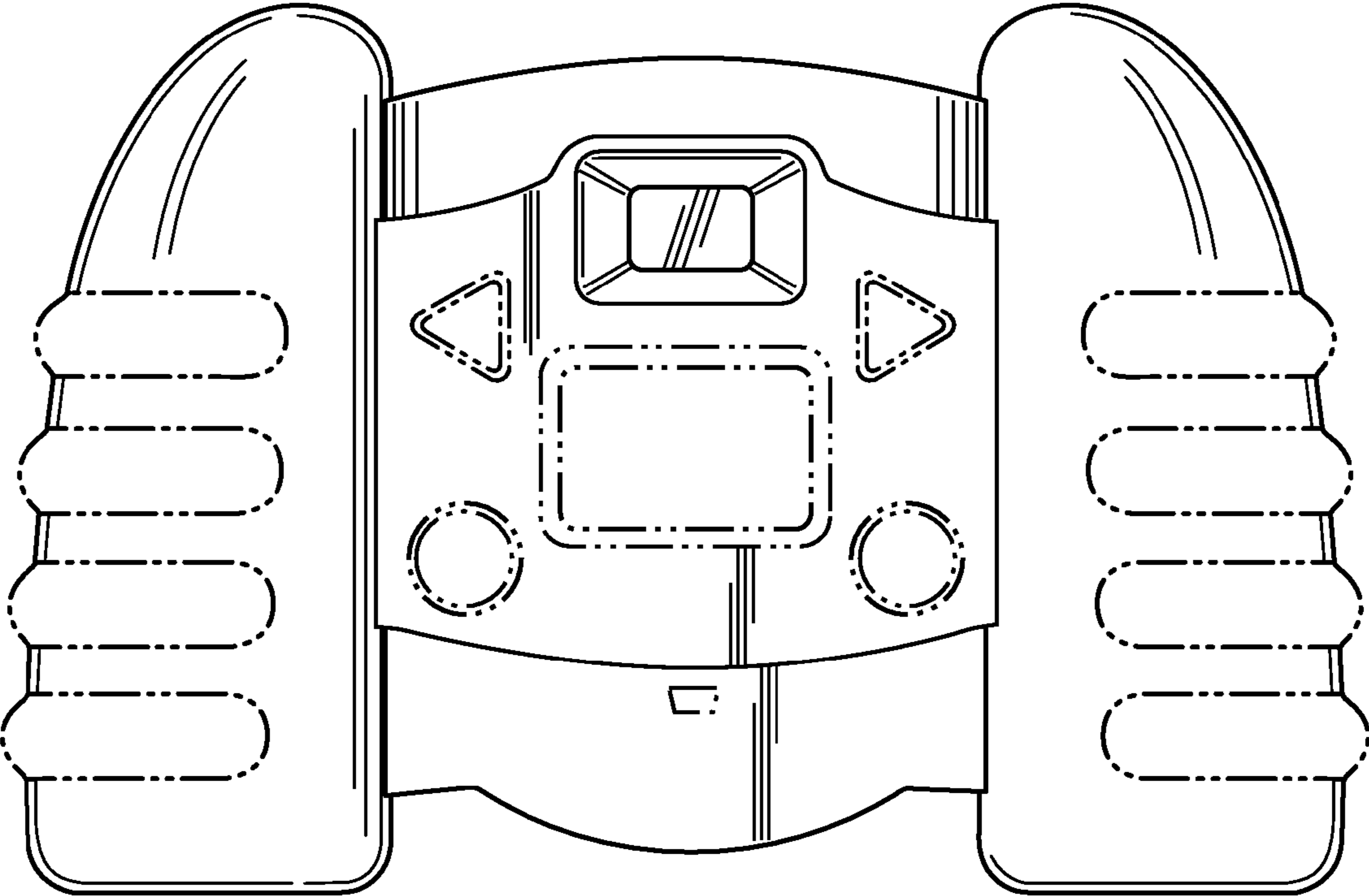


Fig. 4

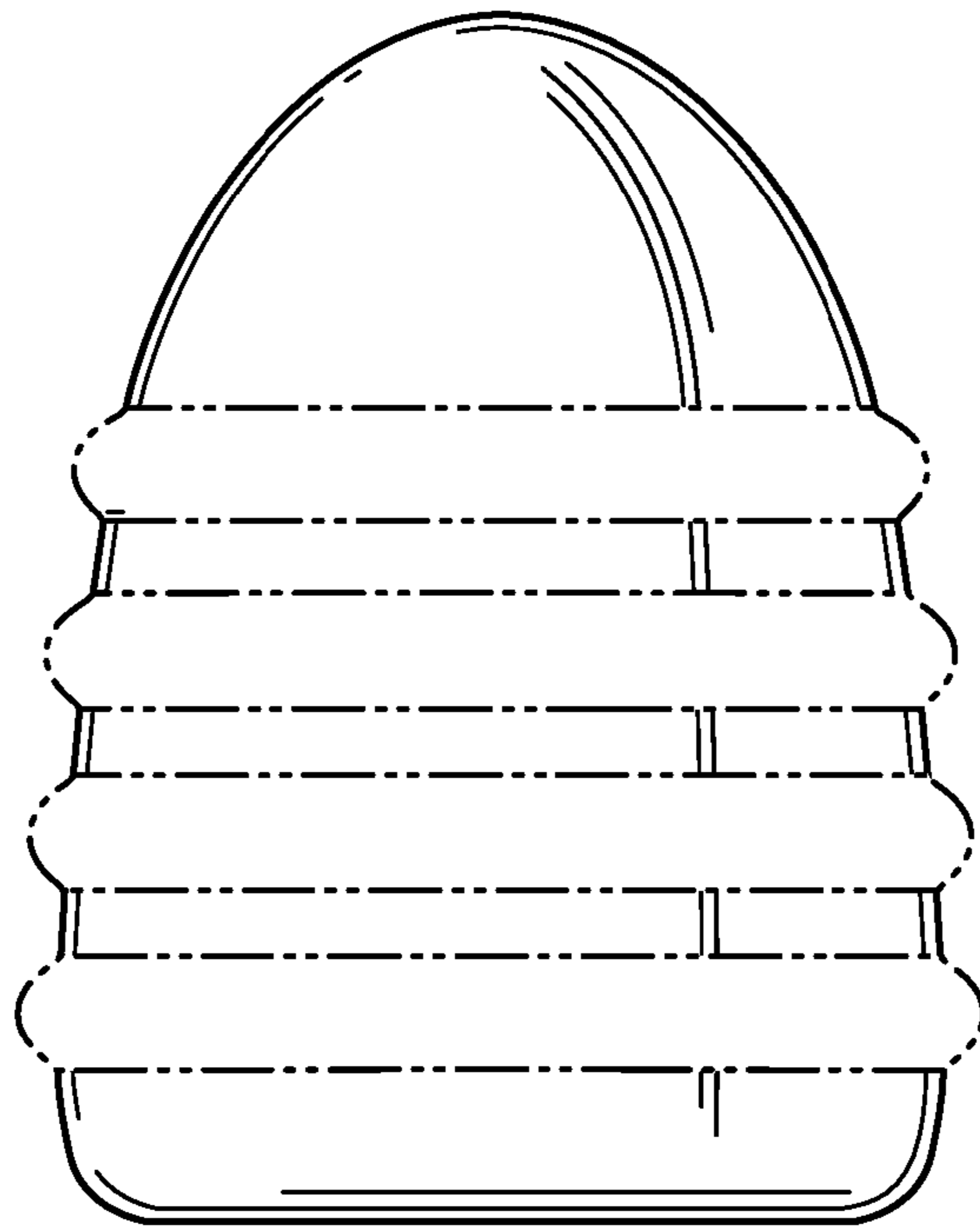


Fig. 5

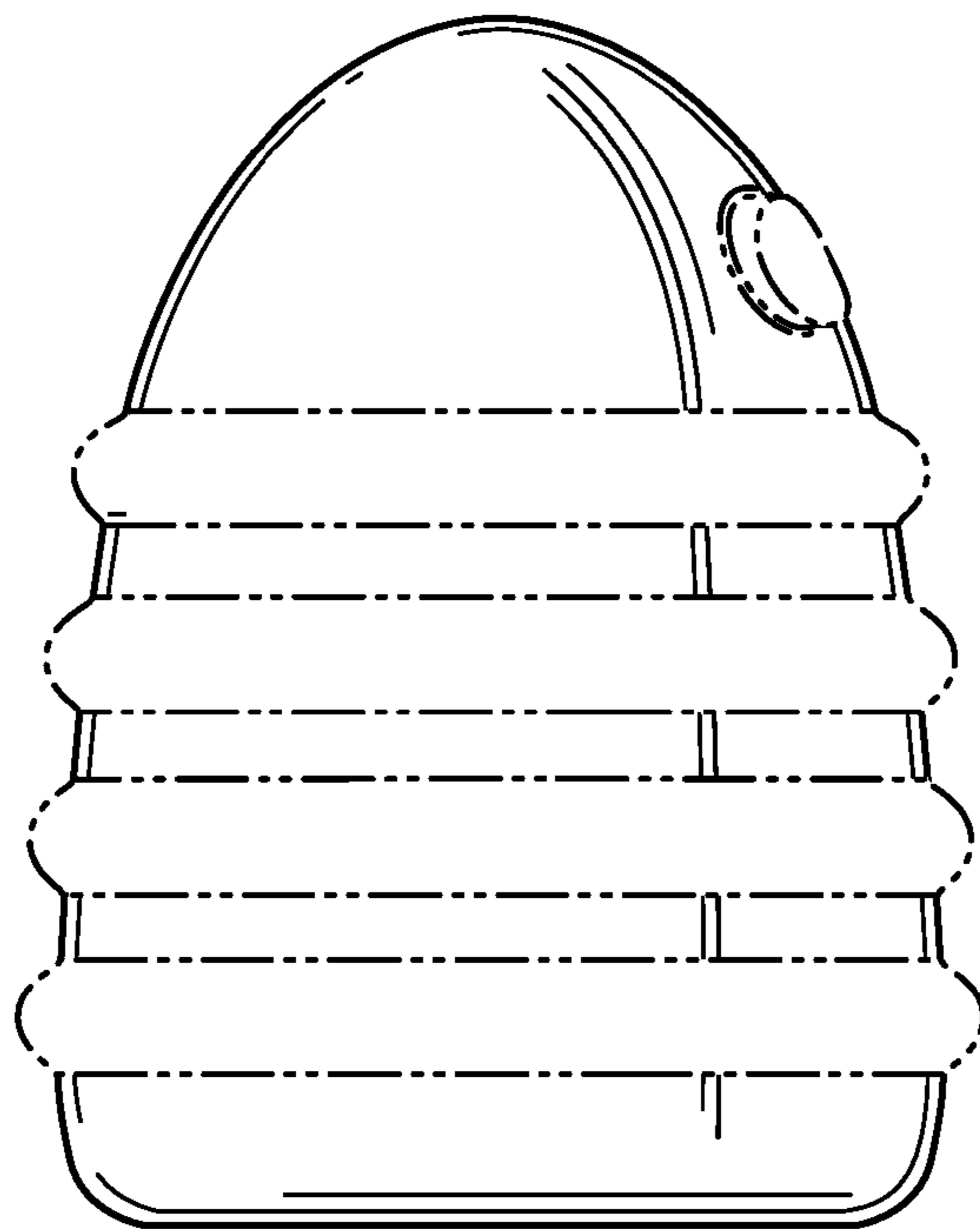


Fig. 6

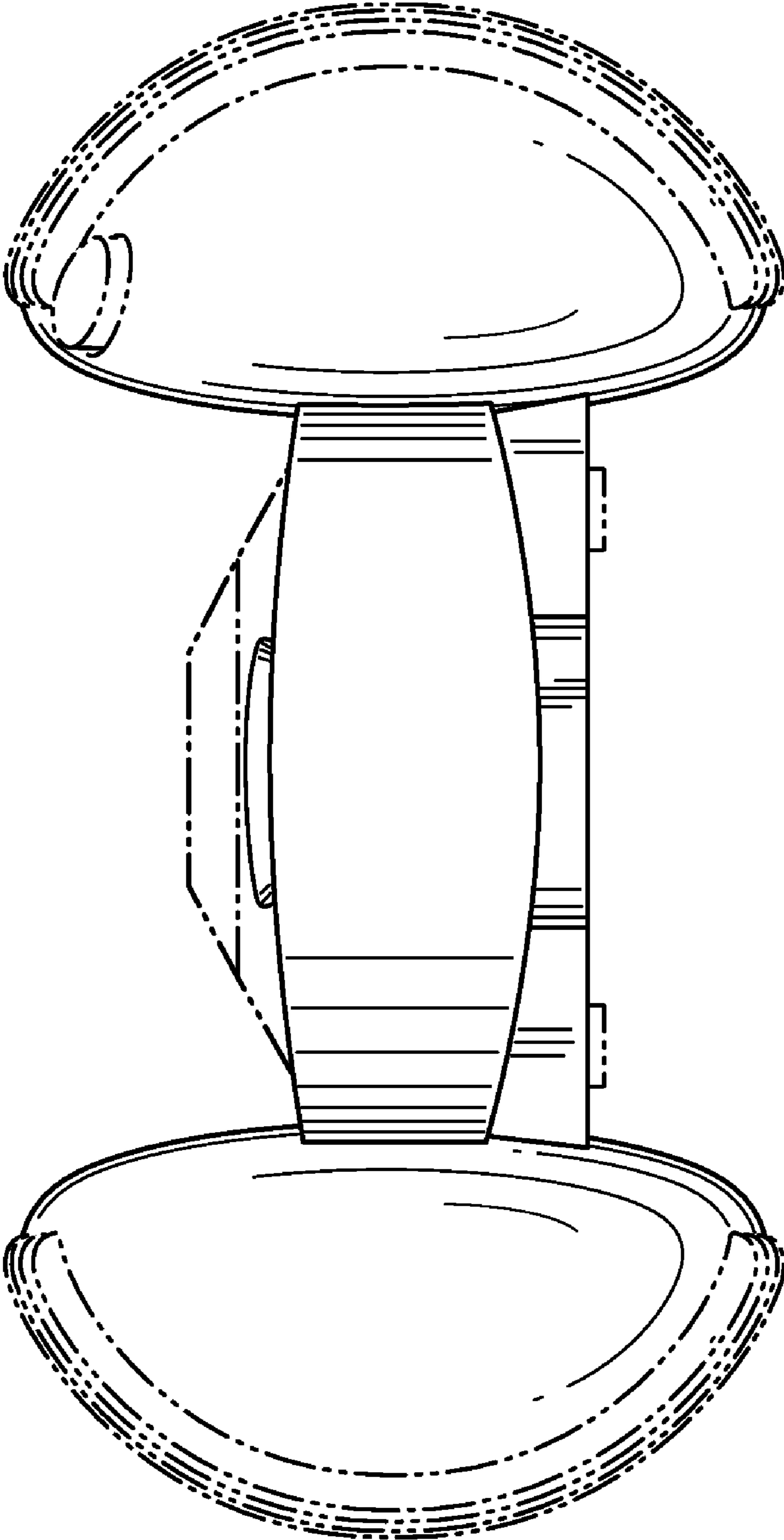


Fig. 7

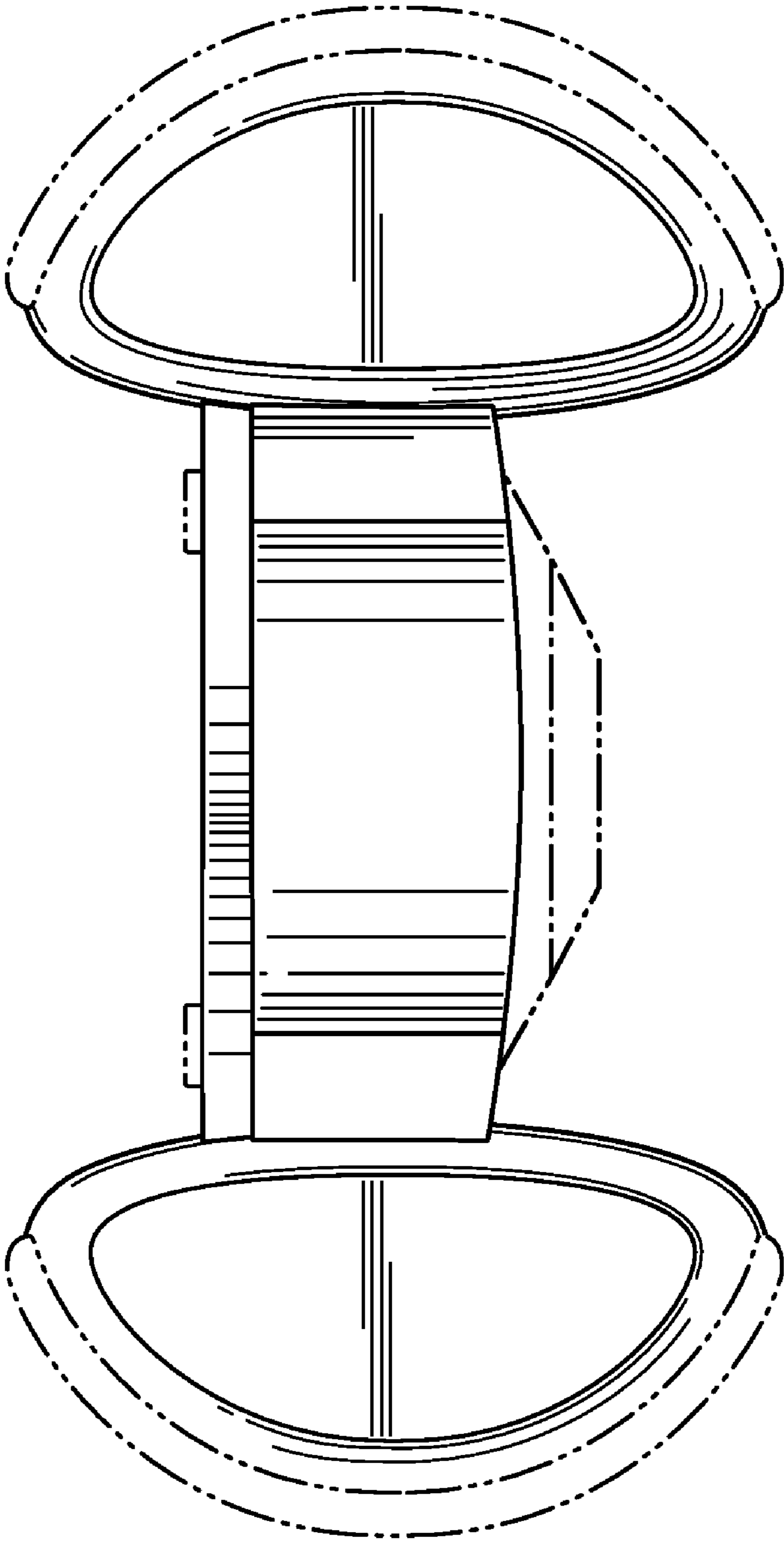


Fig. 8

UNITED STATES PATENT AND TRADEMARK OFFICE
CERTIFICATE OF CORRECTION

PATENT NO. : Des. 616,008 S
APPLICATION NO. : 29/325330
DATED : May 18, 2010
INVENTOR(S) : Erik Enervold

Page 1 of 1

It is certified that error appears in the above-identified patent and that said Letters Patent is hereby corrected as shown below:

On the Title Page,

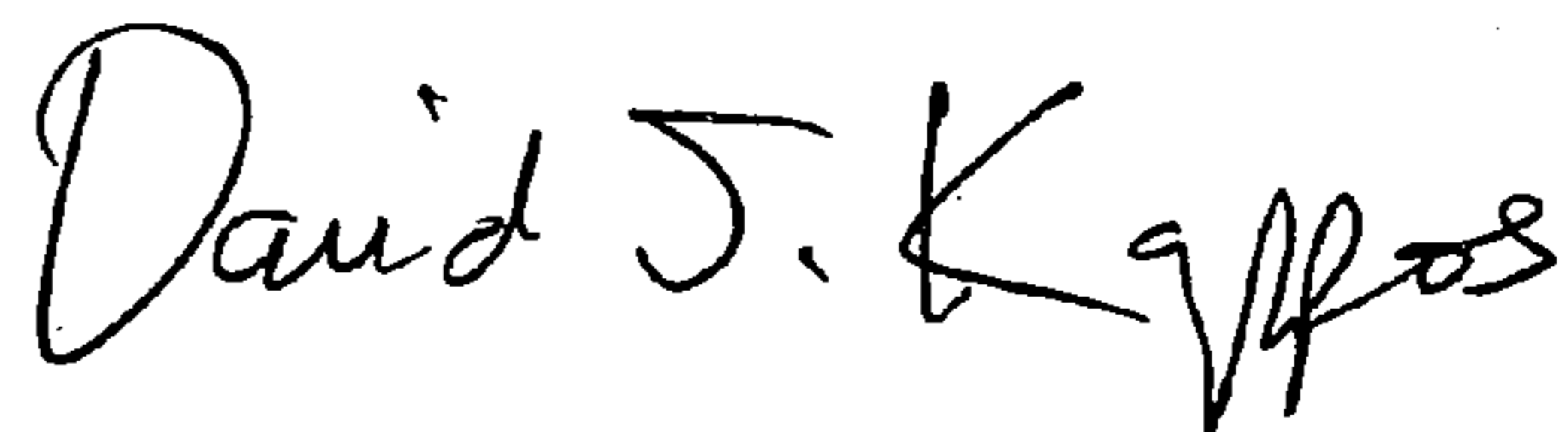
Item (56) References Cited:

Under "Other Publications," the following reference should be listed on the title page

--Fisher Price Kid Tough Digital Camera; ebay.com.--

Signed and Sealed this

Fourteenth Day of September, 2010



David J. Kappos
Director of the United States Patent and Trademark Office