



US00D616007S

(12) **United States Design Patent**
Teppan et al.

(10) **Patent No.:** **US D616,007 S**

(45) **Date of Patent:** **** May 18, 2010**

(54) **CAMERA**

(75) Inventors: **Knut Helge Teppan**, Asker (NO);
Hallgrim Sagen, Oslo (NO); **Thomas Noreng**, Oslo (NO); **Bjørn Saunes**, Oslo (NO)

(73) Assignee: **Tandberg Telecom AS**, Lysaker (NO)

(**) Term: **14 Years**

(21) Appl. No.: **29/334,481**

(22) Filed: **Mar. 27, 2009**

(30) **Foreign Application Priority Data**

Nov. 3, 2008 (NO) 20080598

(51) **LOC (9) Cl.** **16-01**

(52) **U.S. Cl.** **D16/203; D16/242**

(58) **Field of Classification Search** D16/200,
D16/202–205, 208, 218, 242, 243; 348/143,
348/373–376; 358/906; 396/419, 427, 428,
396/535

See application file for complete search history.

(56) **References Cited**

U.S. PATENT DOCUMENTS

6,445,408	B1 *	9/2002	Watkins	348/143
6,679,467	B1 *	1/2004	Softness	396/419
D510,374	S *	10/2005	Greenwood et al.	D16/203
D547,346	S *	7/2007	Ollila et al.	D16/242
D577,049	S *	9/2008	Lau et al.	D16/203
D589,996	S *	4/2009	Kellar et al.	D16/203
2008/0159733	A1 *	7/2008	Liang	396/428

* cited by examiner

Primary Examiner—Adir Aronovich
(74) *Attorney, Agent, or Firm*—Oblon, Spivak, McClelland, Maier & Neustadt, L.L.P.

(57) **CLAIM**

The ornamental design for a camera, as shown and described.

DESCRIPTION

FIG. 1 is a top, front and left side perspective view of a camera showing our new design;

FIG. 2 is a front elevational view thereof;

FIG. 3 is a rear elevational view thereof;

FIG. 4 is a bottom plan view thereof;

FIG. 5 is a top plan view thereof;

FIG. 6 is a left side elevational view thereof; and

FIG. 7 is a right side elevational view thereof.

FIG. 8 is top, front and left side perspective view thereof with a camera support in an open position;

FIG. 9 is a front elevational view thereof;

FIG. 10 is a rear elevational view thereof;

FIG. 11 is a bottom plan view thereof;

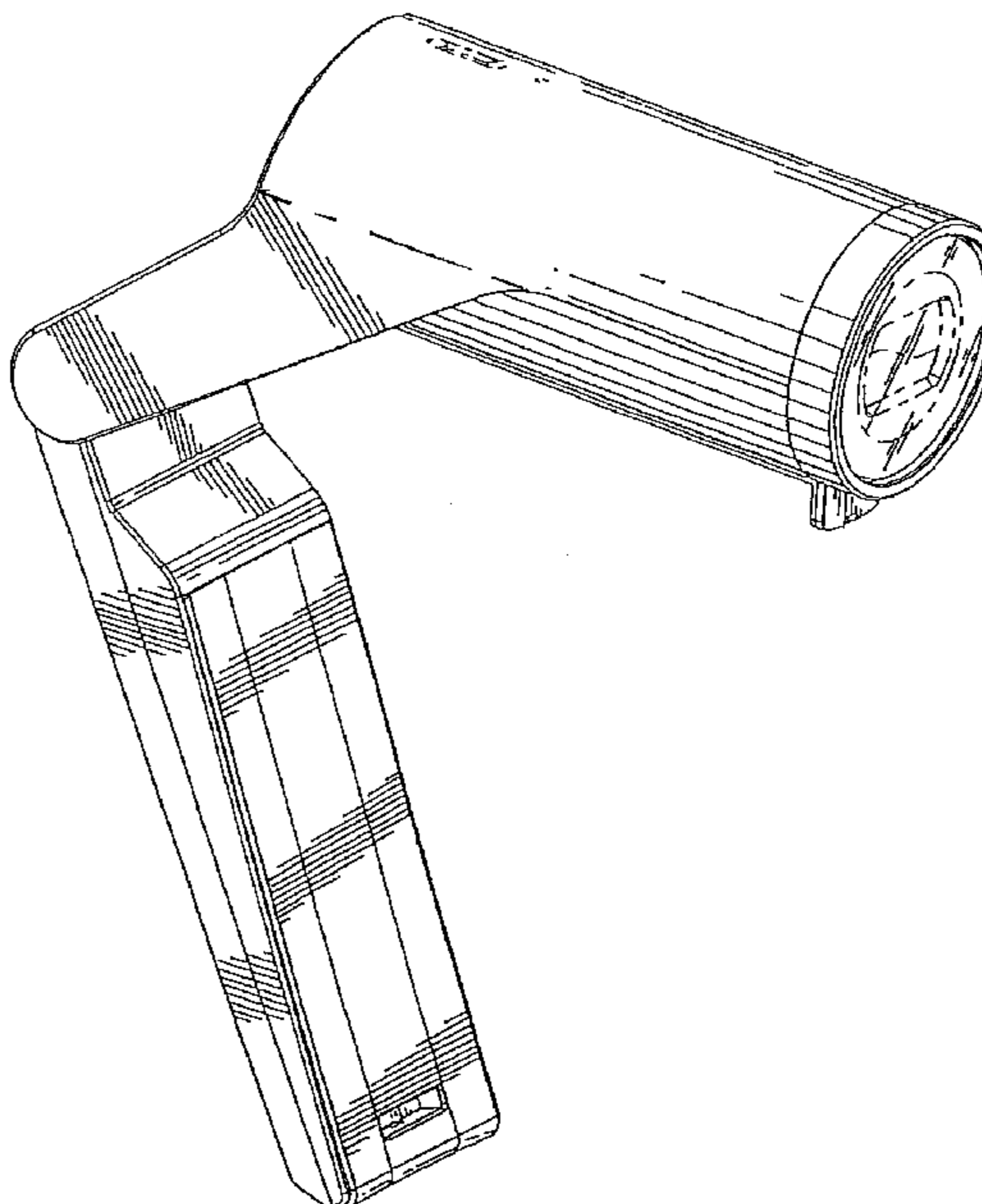
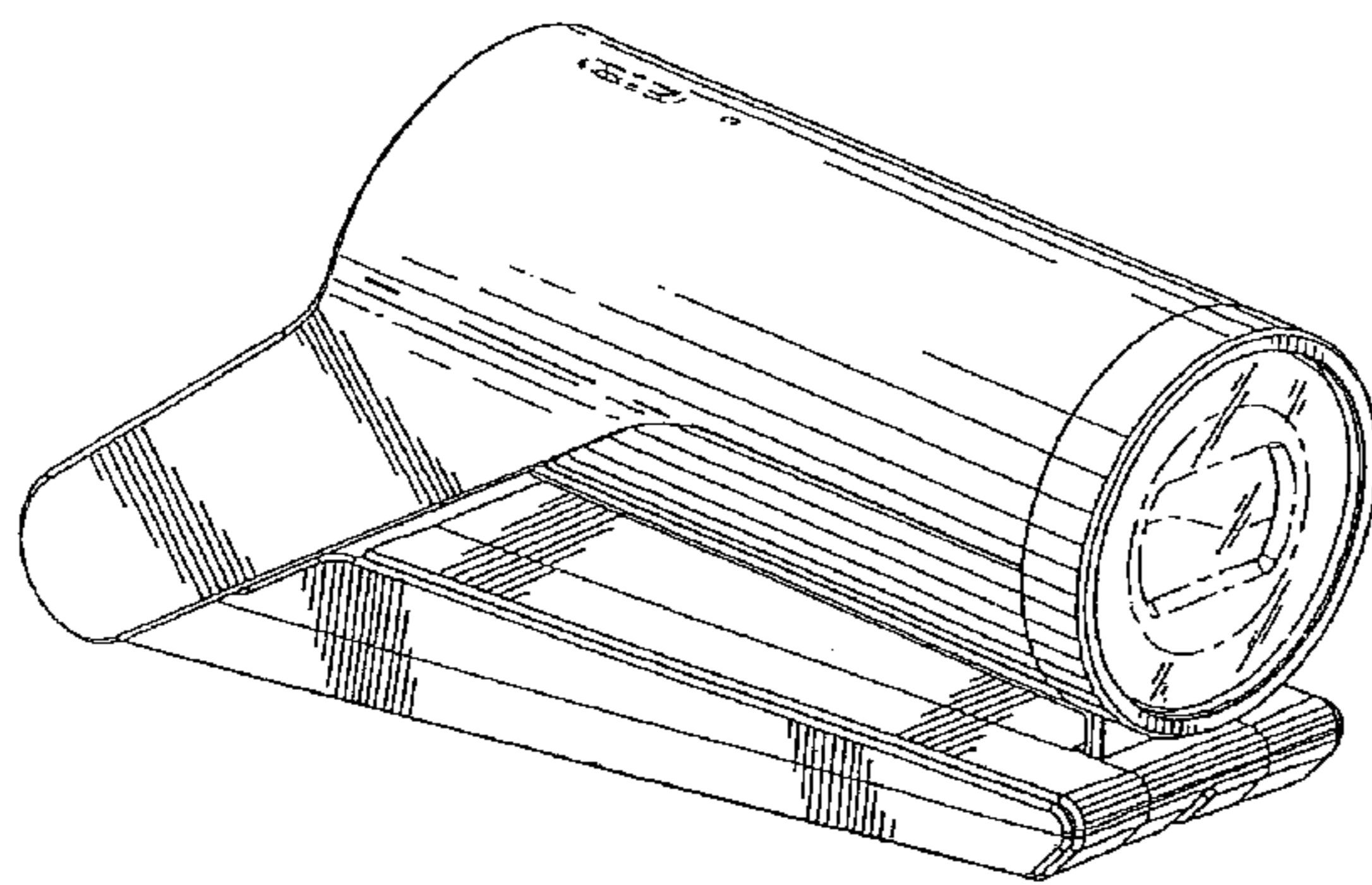
FIG. 12 is a top plan view thereof;

FIG. 13 is a left side elevational view thereof; and,

FIG. 14 is a right side elevational view thereof.

The broken lines in the drawings depict environmental subject matter only and form no part of the claimed design.

1 Claim, 14 Drawing Sheets



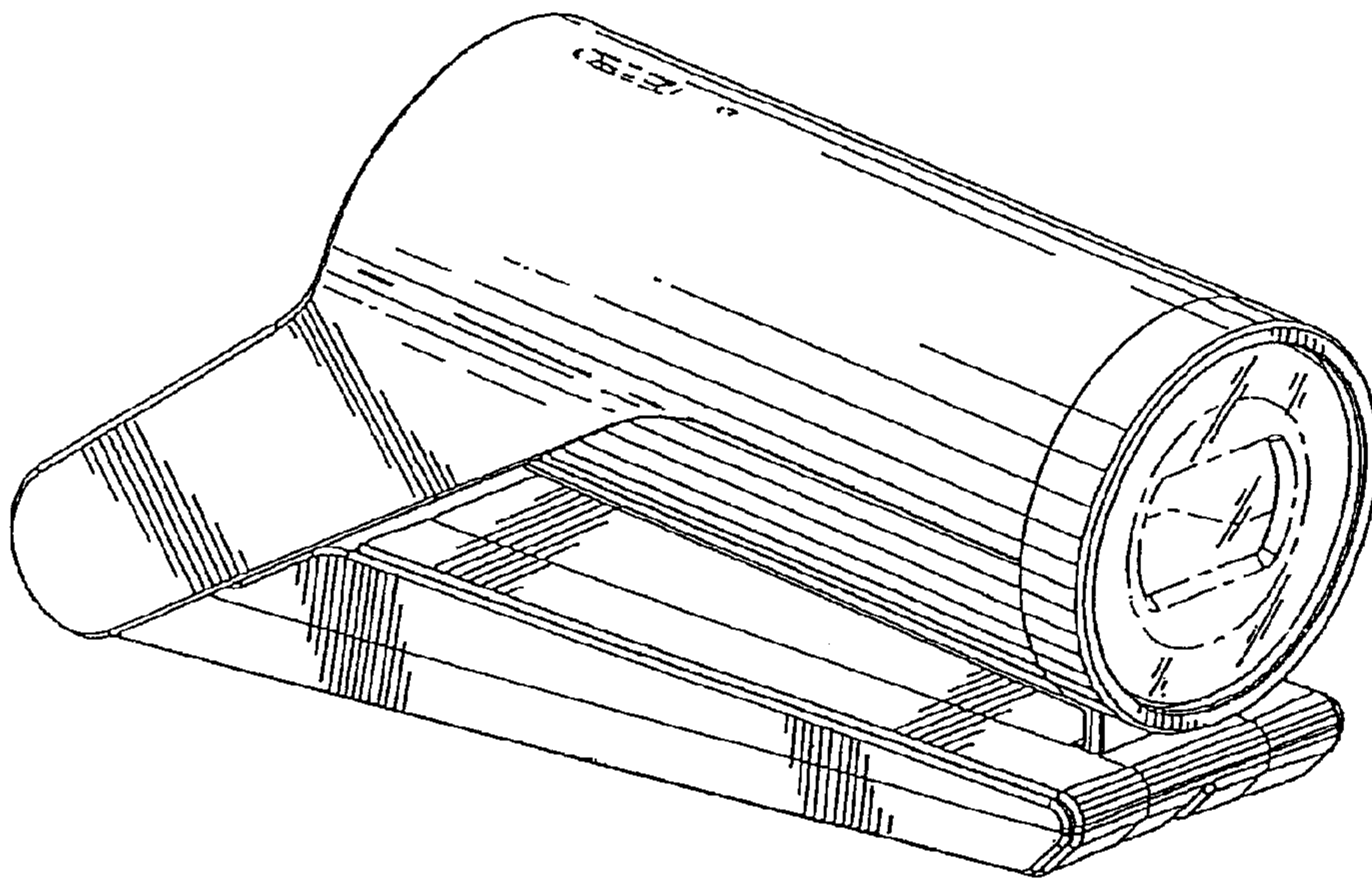


FIG. 1

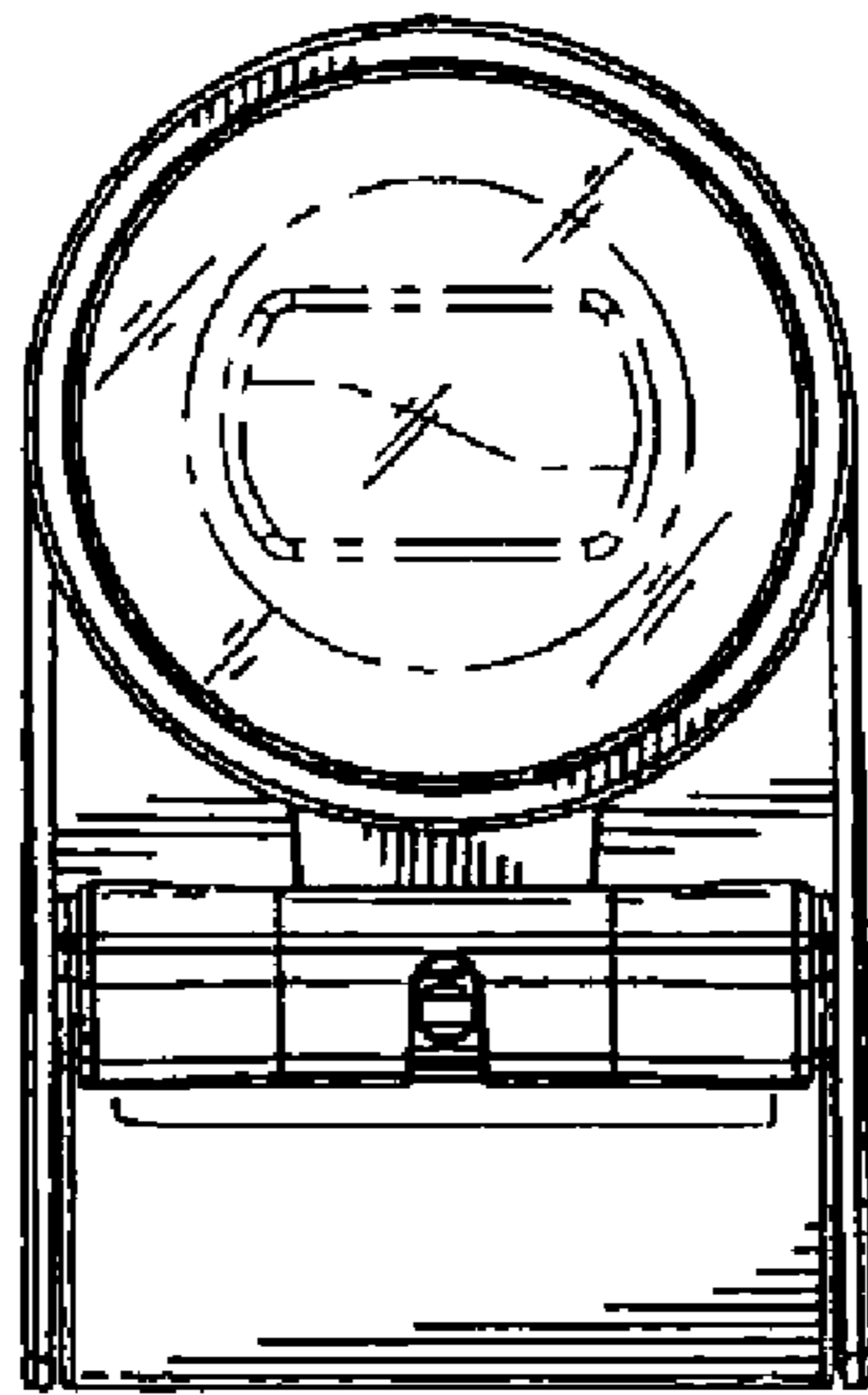


FIG. 2

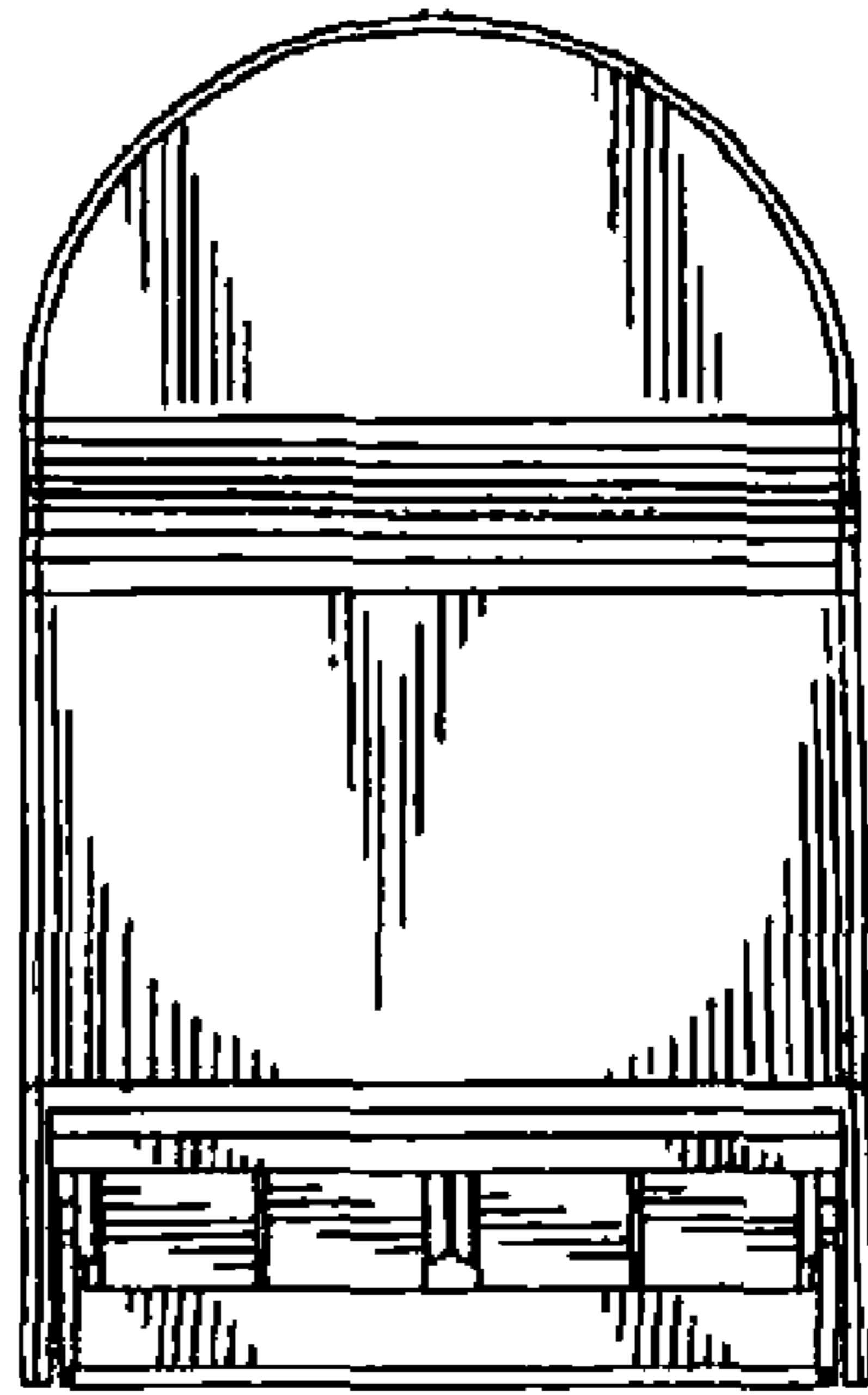


FIG. 3

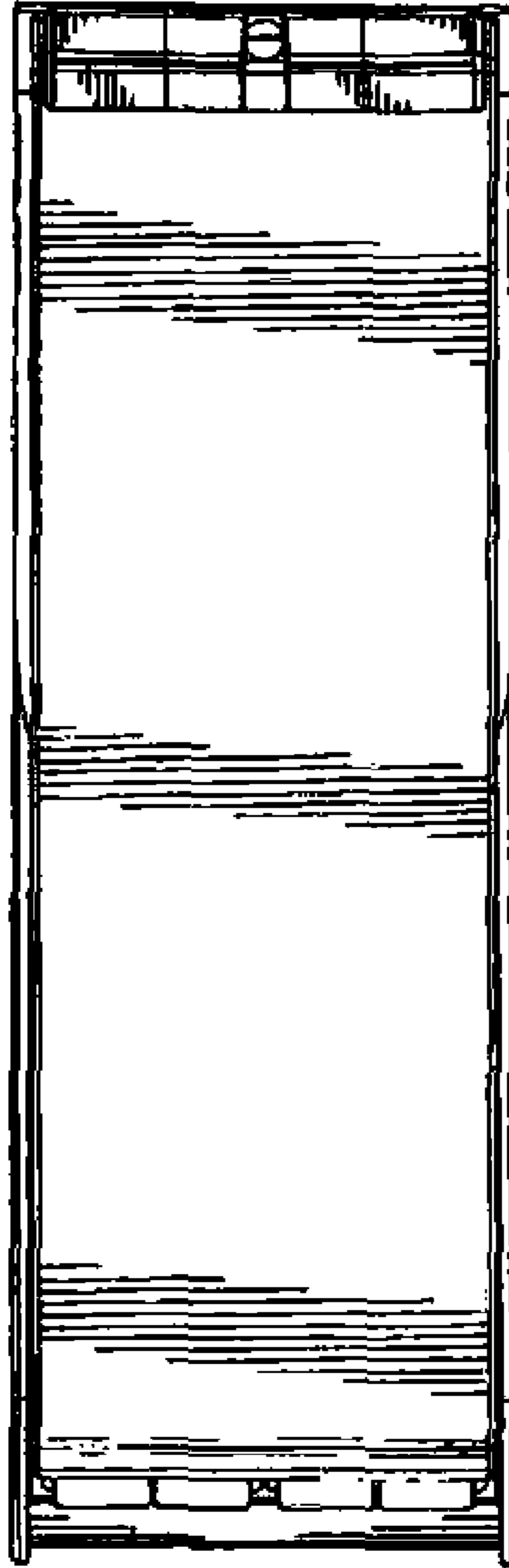


FIG. 4

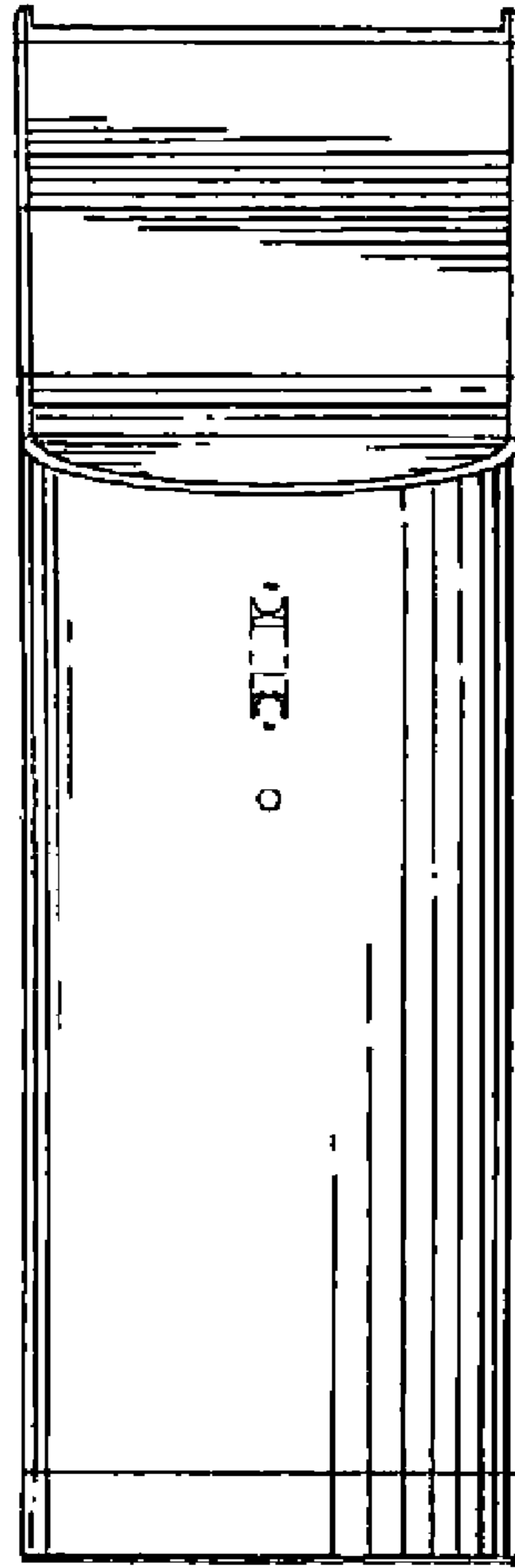


FIG. 5

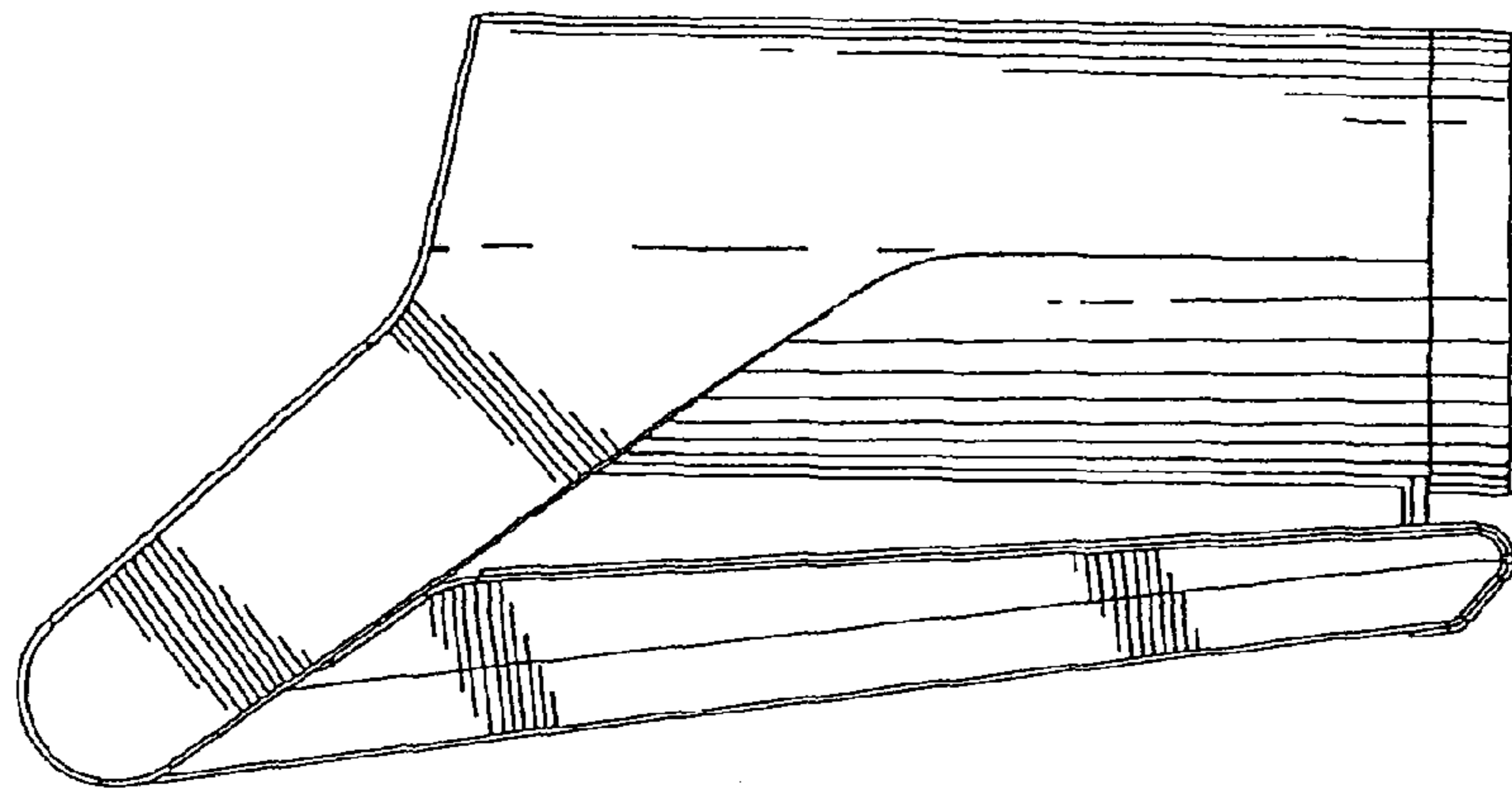


FIG.6

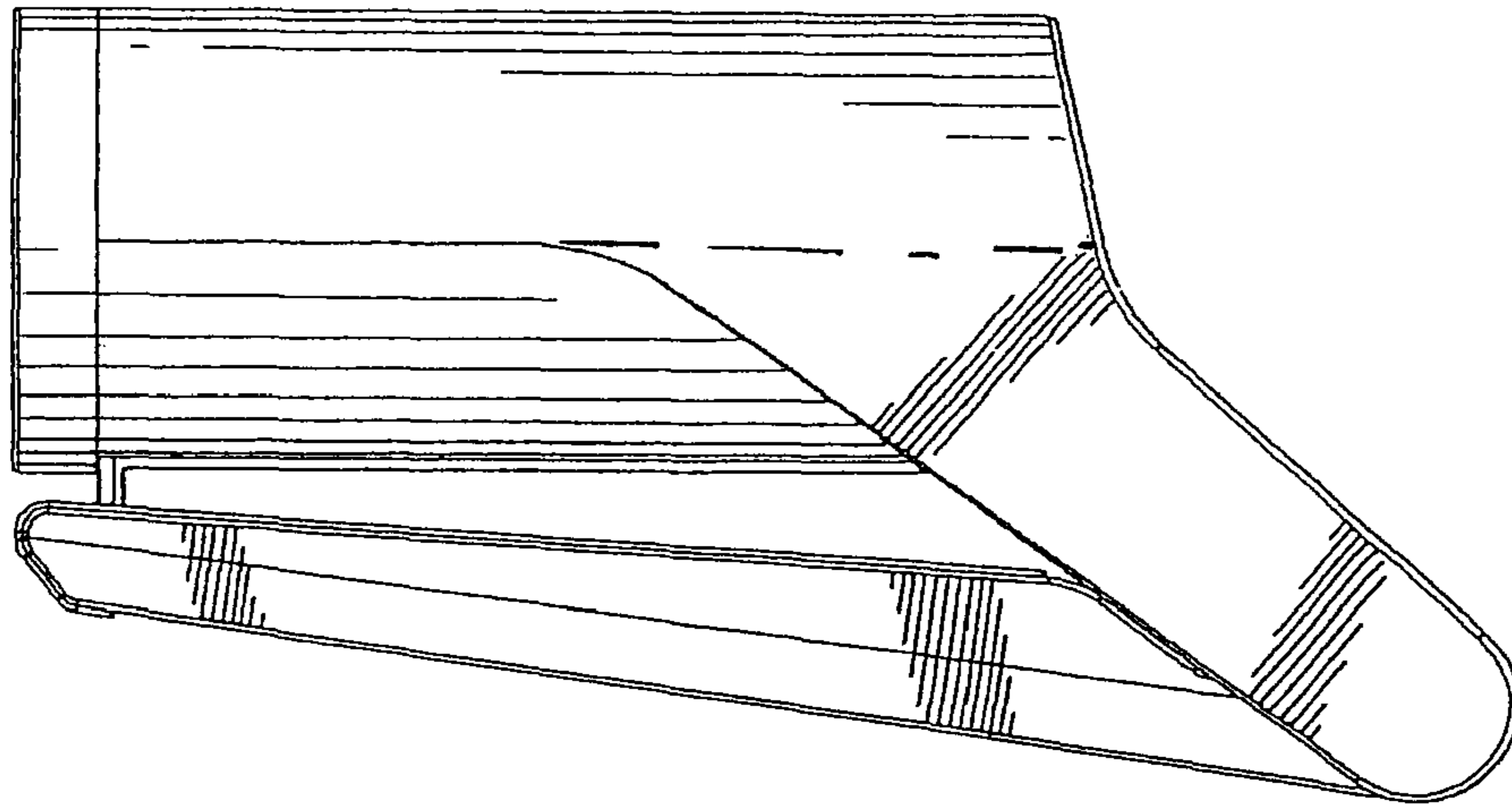


FIG. 7

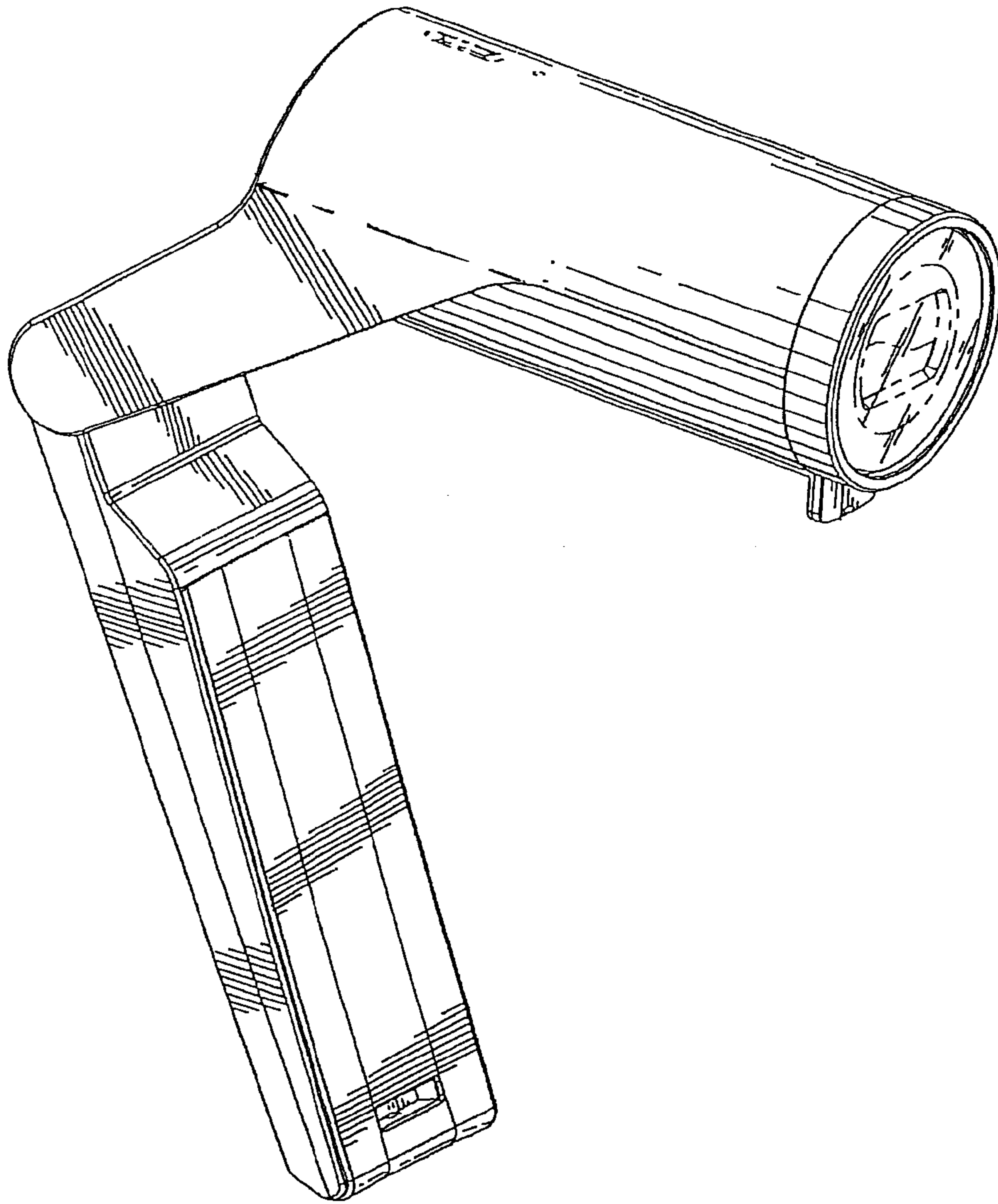


FIG. 8

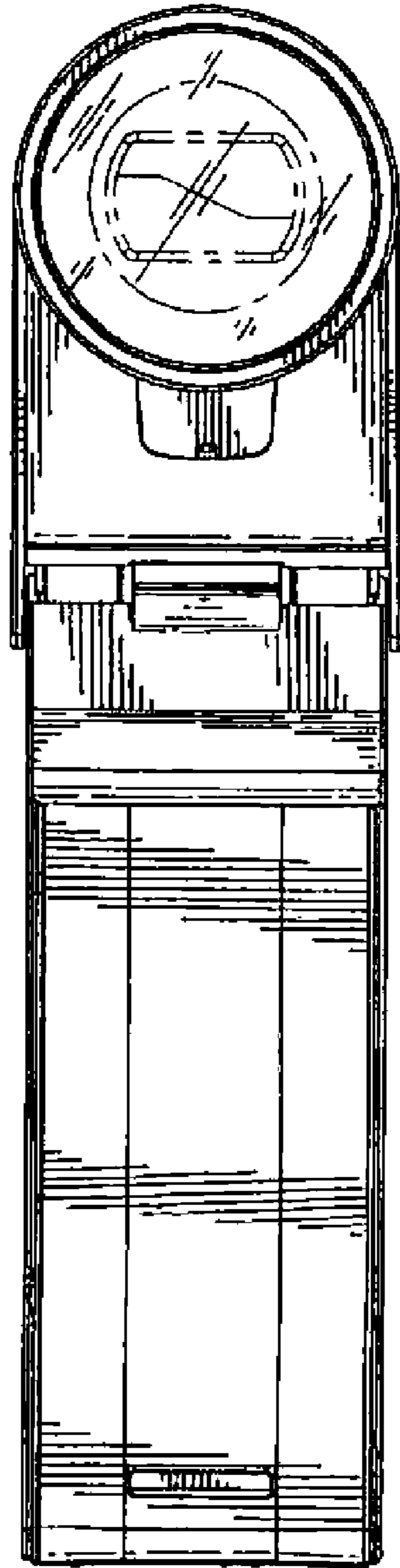


FIG. 9

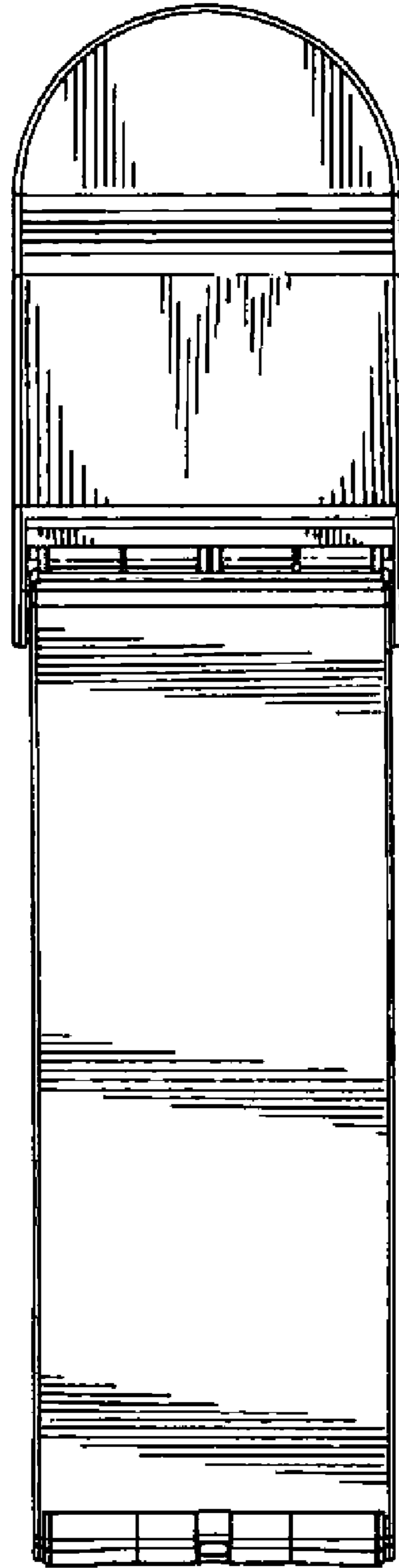


FIG. 10

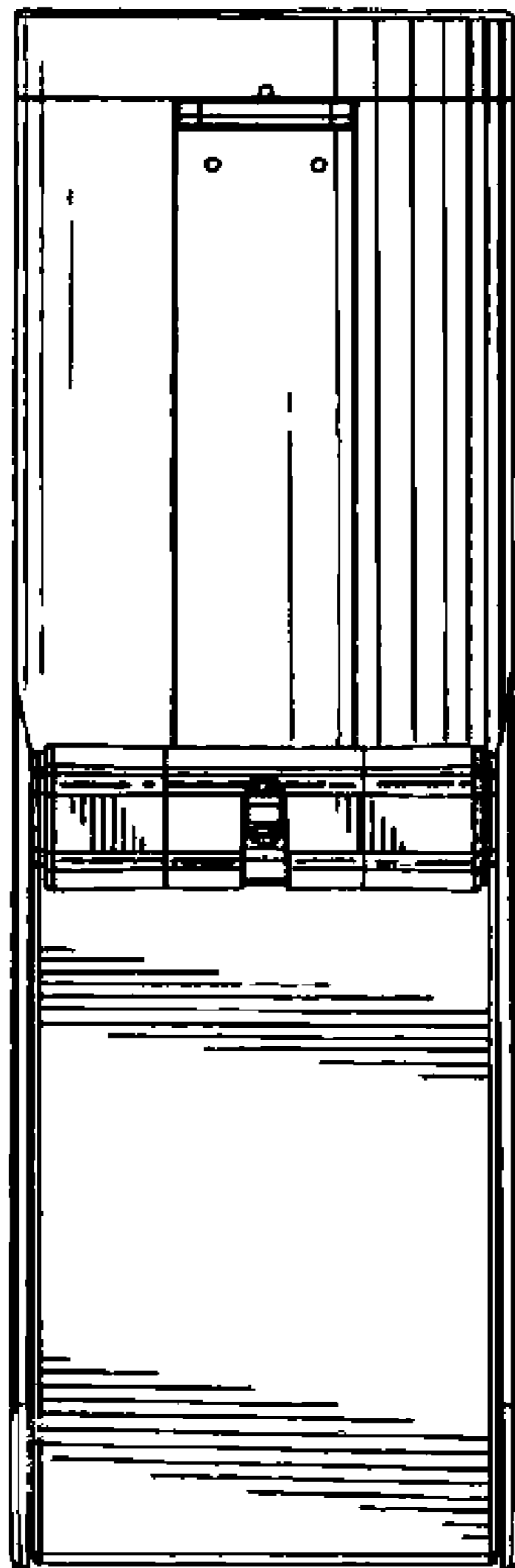


FIG. 11

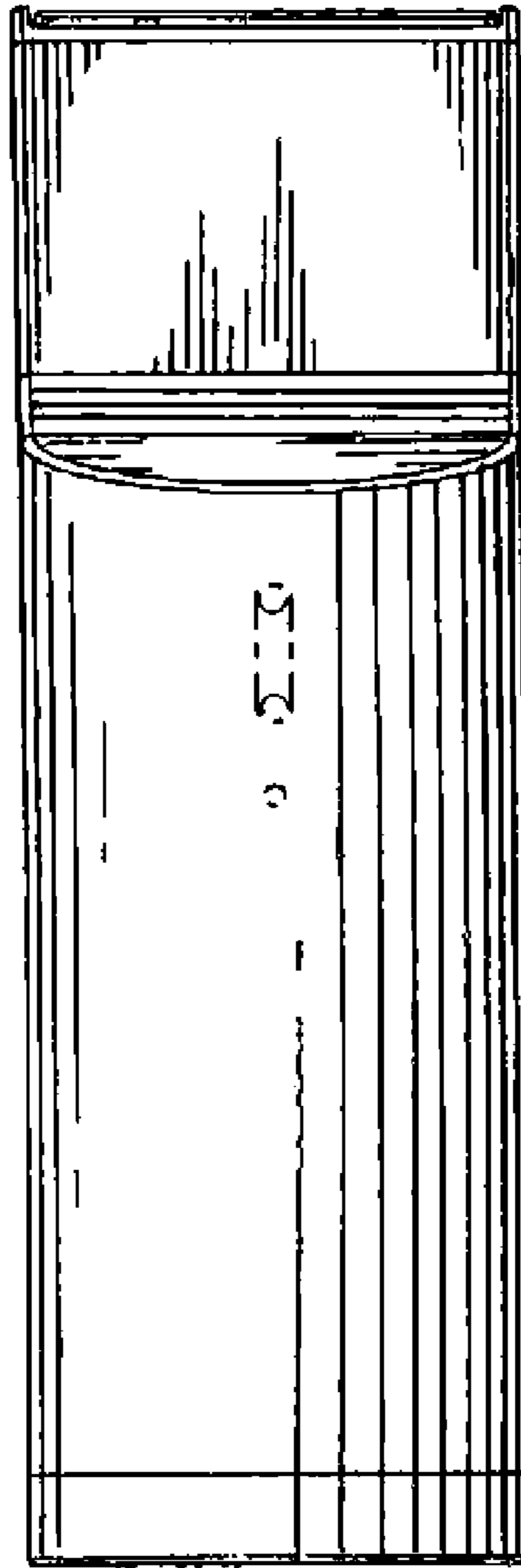


FIG. 12

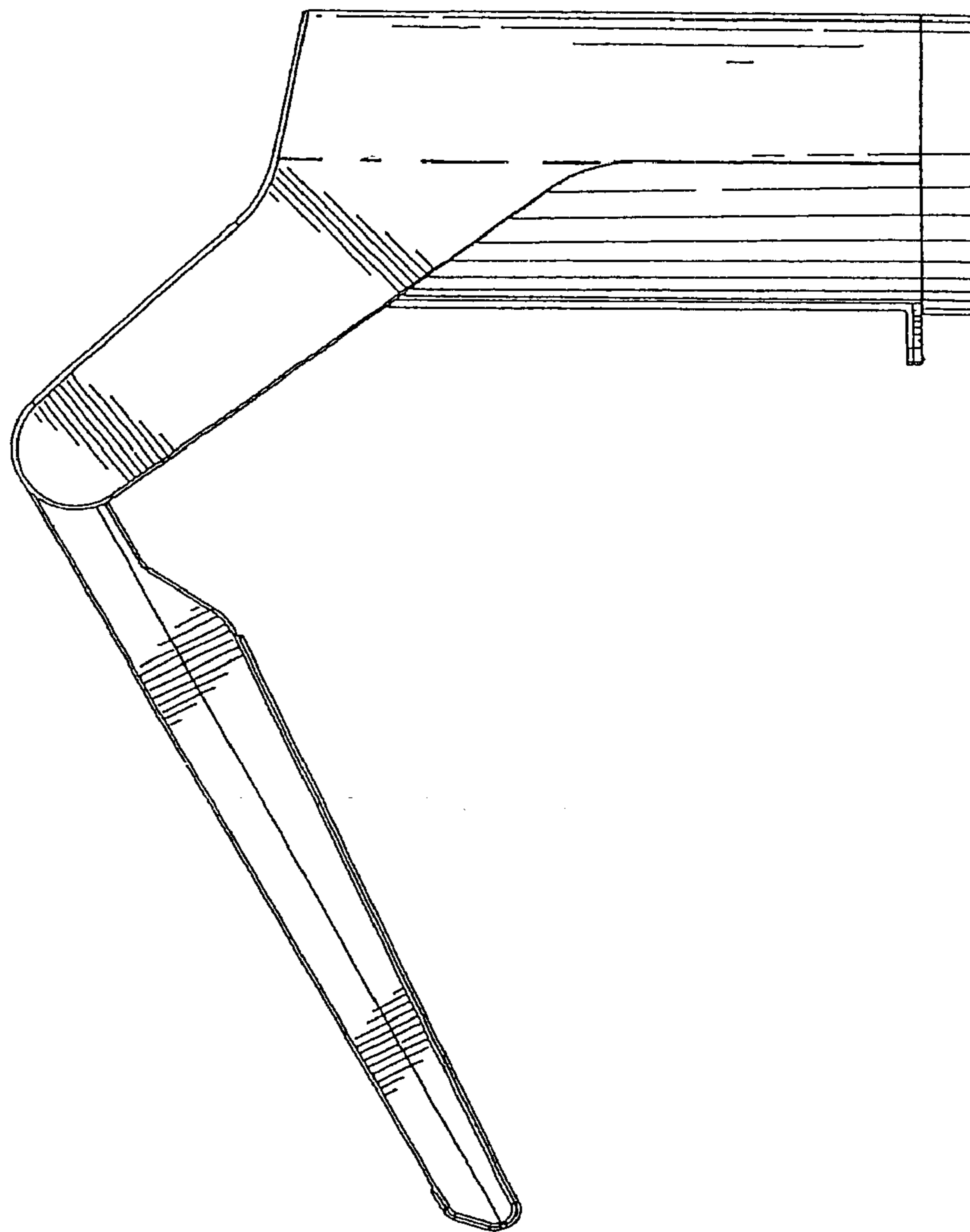


FIG.13

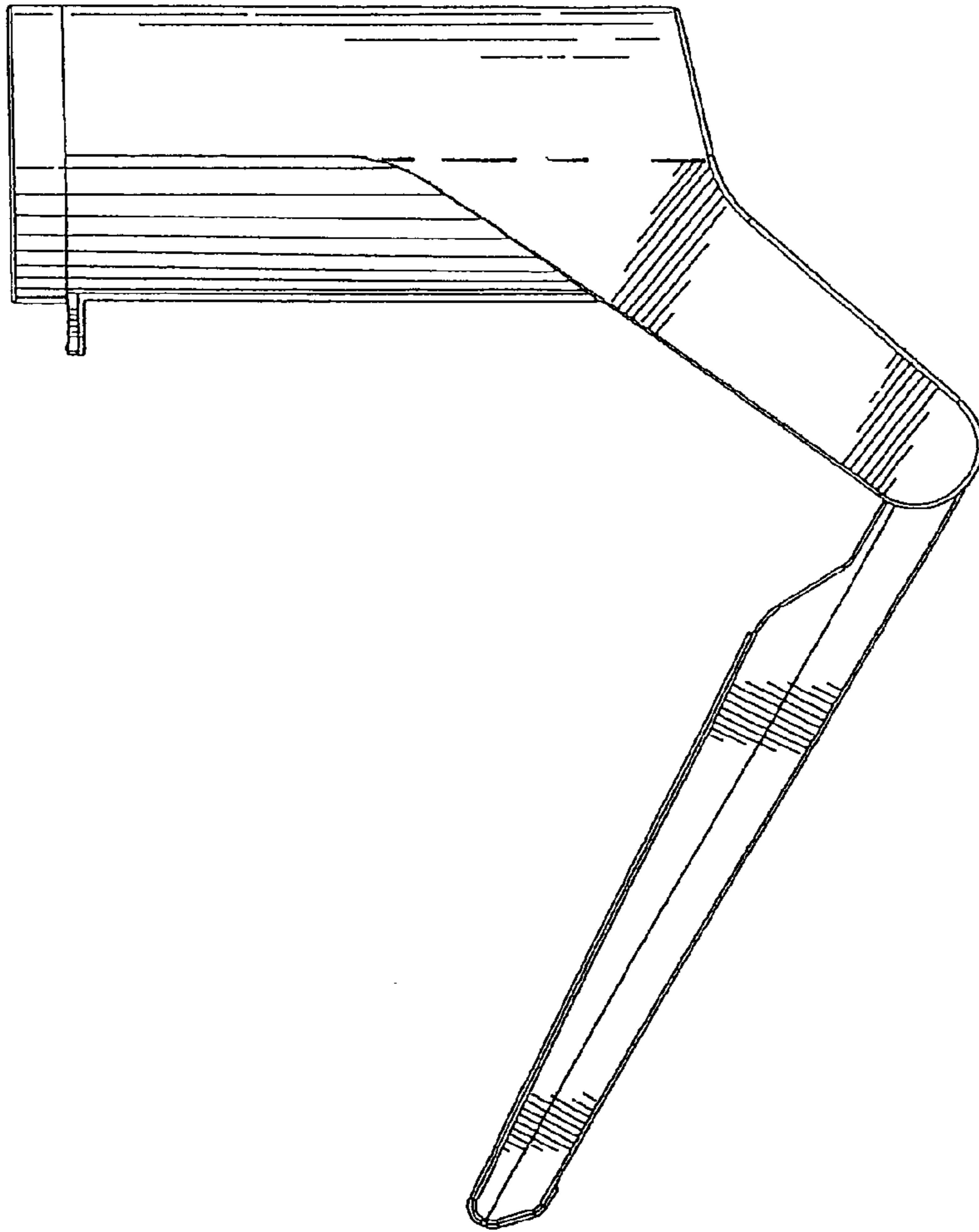


FIG. 14