



US00D616006S

(12) **United States Design Patent**  
**Green et al.**

(10) **Patent No.:** **US D616,006 S**  
(45) **Date of Patent:** **\*\* May 18, 2010**

(54) **PORTABLE DIGITAL VIDEO CAMERA**

(75) Inventors: **Jason Green**, Seattle, WA (US); **Marc Barros**, Bellevue, WA (US); **David Thorpe**, Portland, OR (US); **Chunshik Kim**, Portland, OR (US); **Felix Ballerstedt**, Portland, OR (US); **David Randall Knaub**, Portland, OR (US); **Oved Valadez**, Portland, OR (US); **Peter Kettenring**, Reinheim (DE)

(73) Assignee: **Twenty20, Inc.**, Seattle, WA (US)

(\*\*) Term: **14 Years**

(21) Appl. No.: **29/322,219**

(22) Filed: **Jul. 30, 2008**

(51) **LOC (9) Cl.** ..... **16-01**

(52) **U.S. Cl.** ..... **D16/202**

(58) **Field of Classification Search** ..... D16/200–205,  
D16/208, 218, 242; 348/373–376; 358/906;  
396/535–541

See application file for complete search history.

(56) **References Cited**

**U.S. PATENT DOCUMENTS**

4,516,157	A	5/1985	Campbell	
4,525,045	A	6/1985	Fazekas	
5,583,571	A	12/1996	Friedland	
D378,095	S *	2/1997	Hasegawa	D16/203
D392,300	S *	3/1998	Chow et al.	D16/203
5,859,666	A	1/1999	Manabe	
5,966,176	A *	10/1999	Chow et al.	348/373
6,028,627	A	2/2000	Helmsderfer	
6,091,831	A	7/2000	Cho	
D430,888	S *	9/2000	Adachi et al.	D16/203
6,142,437	A	11/2000	Wilkins, Jr.	
6,704,044	B1	3/2004	Foster et al.	
6,819,354	B1	11/2004	Foster et al.	
D506,489	S *	6/2005	Owada	D16/203
D510,374	S *	10/2005	Greenwood et al.	D16/203
D547,346	S *	7/2007	Ollila	D16/203

D558,805	S *	1/2008	Sadatsuki	D16/202
D581,959	S *	12/2008	Chan	D16/203
7,522,834	B2 *	4/2009	Heaven et al.	396/535
D592,231	S *	5/2009	Schnell	D16/202

(Continued)

**OTHER PUBLICATIONS**

International Application No. PCT/US2008/71661, filed Jul. 30, 2008.

Nov. 2, 2009 world wide web (“http://www.helmkameras24.de/Oregon-Scientific-ATC-9000\_c25\_...”) 2-page printout concerning new item Oregon Scientific ATC 9000.

(Continued)

*Primary Examiner*—Adir Aronovich

(74) *Attorney, Agent, or Firm*—Stoel Rives LLP

(57) **CLAIM**

We claim the ornamental design for a portable digital video camera, as shown and described.

**DESCRIPTION**

FIG. 1 is a top, front, and left side perspective view of a digital video camera, with a switch in a first position, showing our new design;

FIG. 2 is a top, rear, and left side perspective view thereof;

FIG. 3 is a left side elevation view thereof;

FIG. 4 is a front elevation view thereof;

FIG. 5 is a rear elevation view thereof;

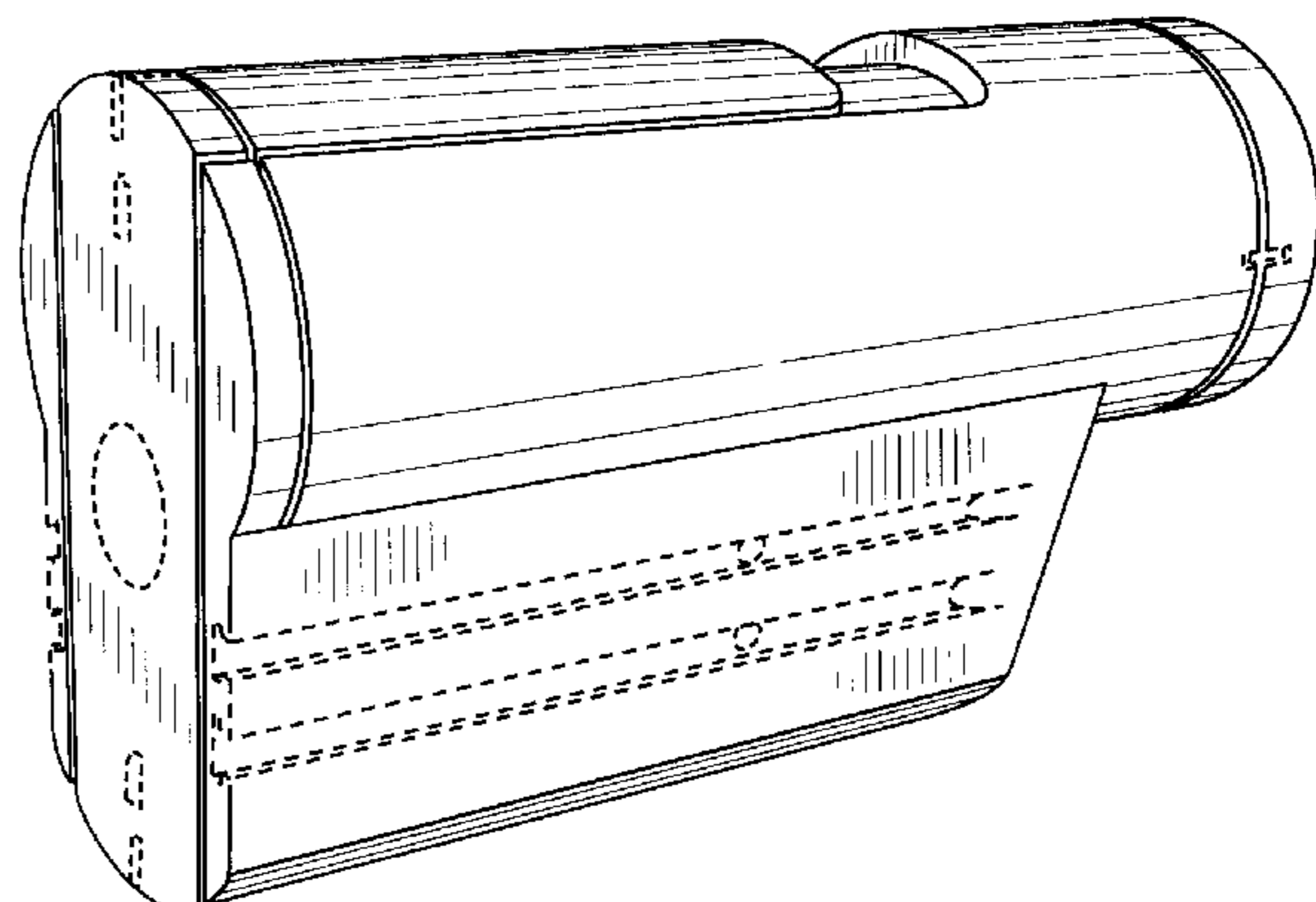
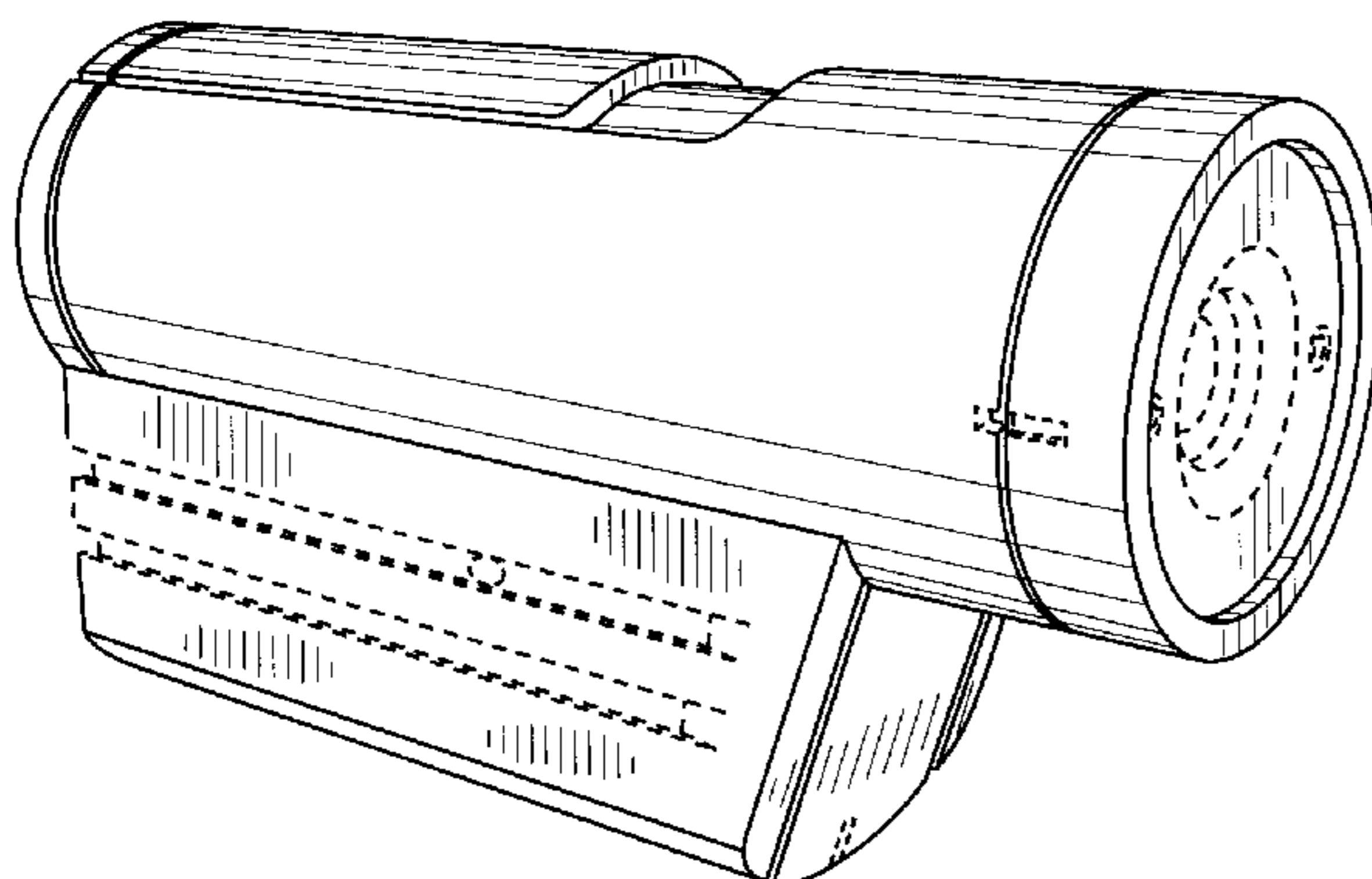
FIG. 6 is a top plan view thereof;

FIG. 7 is a top, front, and left side perspective view of the digital video camera of FIG. 1 with the switch in a second position; and,

FIG. 8 is a top, rear, and left side perspective view of the digital video camera of FIG. 1 with the switch in a second position.

The broken lines showing in FIGS. 1-8 are for illustrative purposes only and form no part of the claimed design.

**1 Claim, 3 Drawing Sheets**



# US D616,006 S

Page 2

---

## U.S. PATENT DOCUMENTS

2004/0004825 A1 1/2004 Malard et al.  
2005/0200750 A1 9/2005 Ollila  
2006/0055786 A1 3/2006 Ollila  
2007/0111754 A1 5/2007 Marshall et al.

## OTHER PUBLICATIONS

Nov. 2, 2009 world wide web ("<http://www.actioncameras.co.uk/X170>") 4-page printout concerning X170 Action Camera and its mounts.

\* cited by examiner

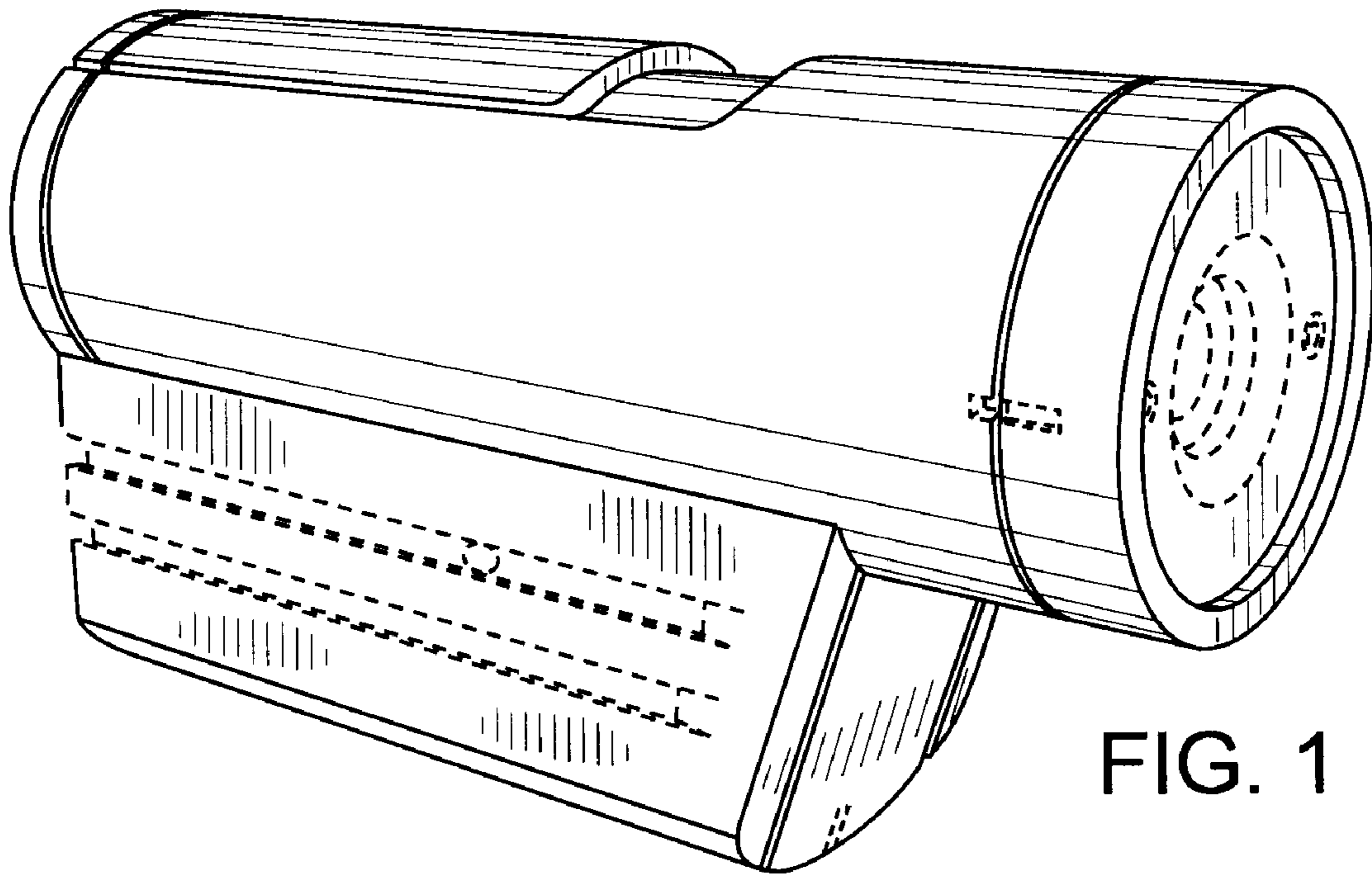


FIG. 1

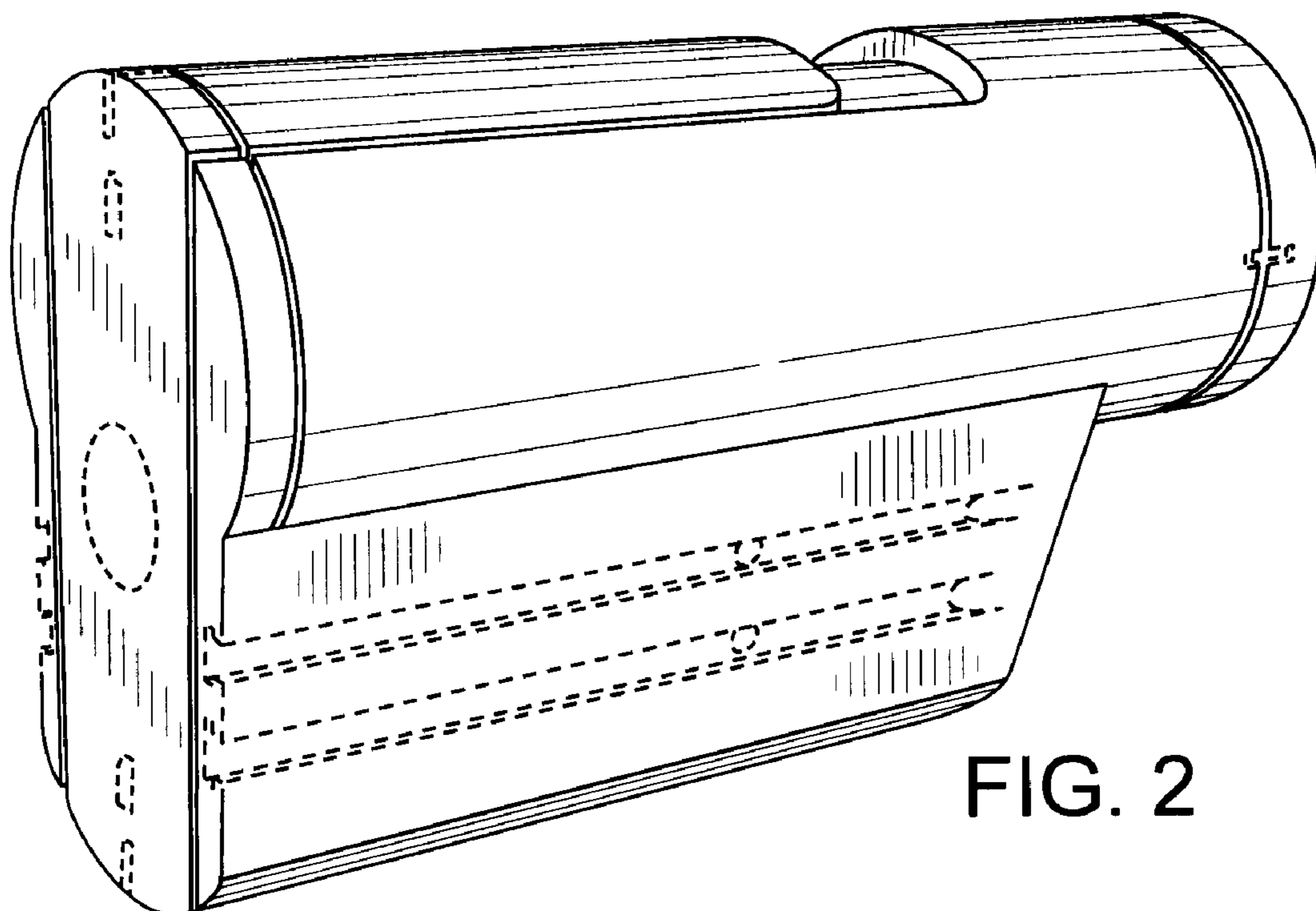


FIG. 2

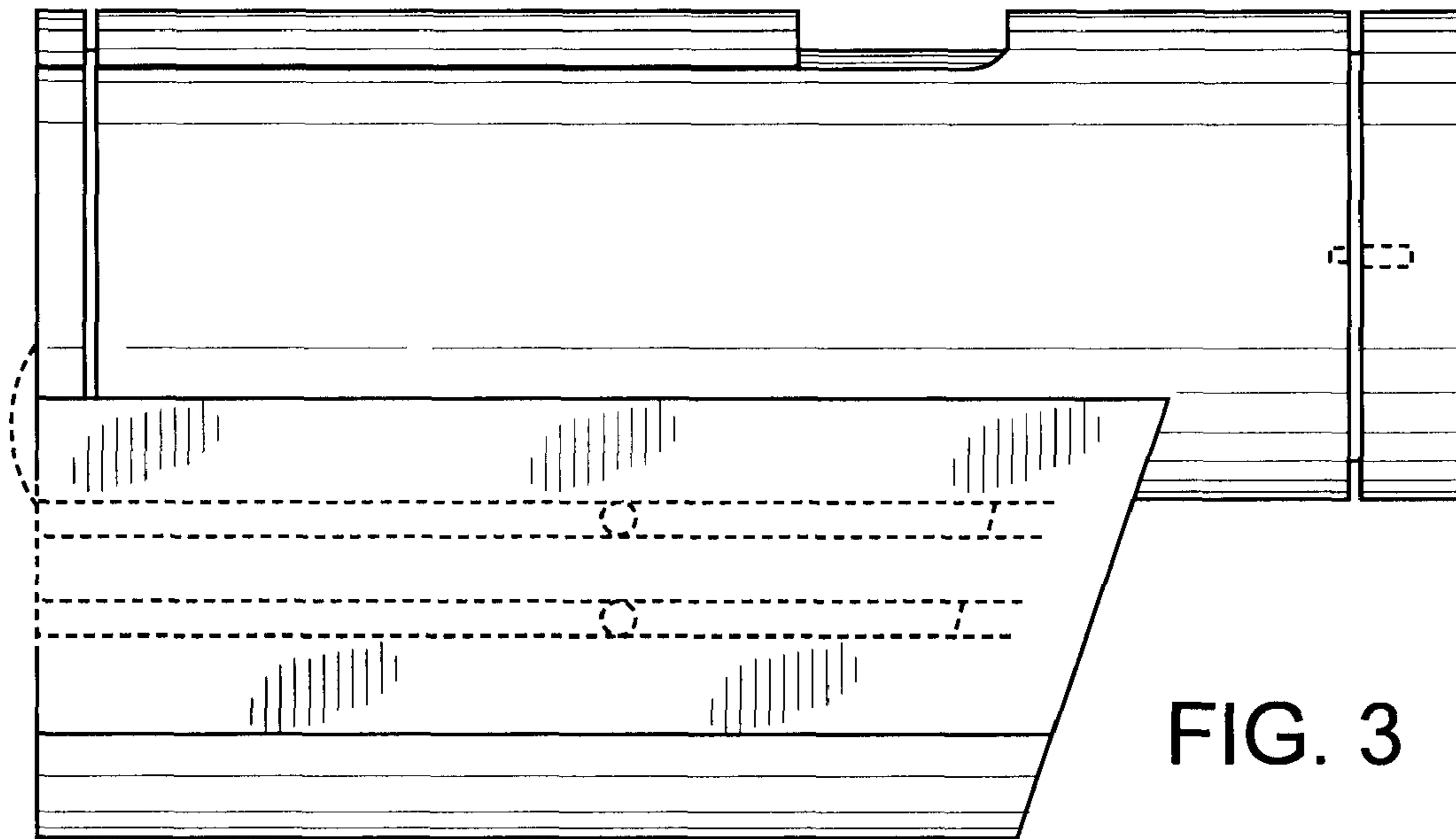


FIG. 3

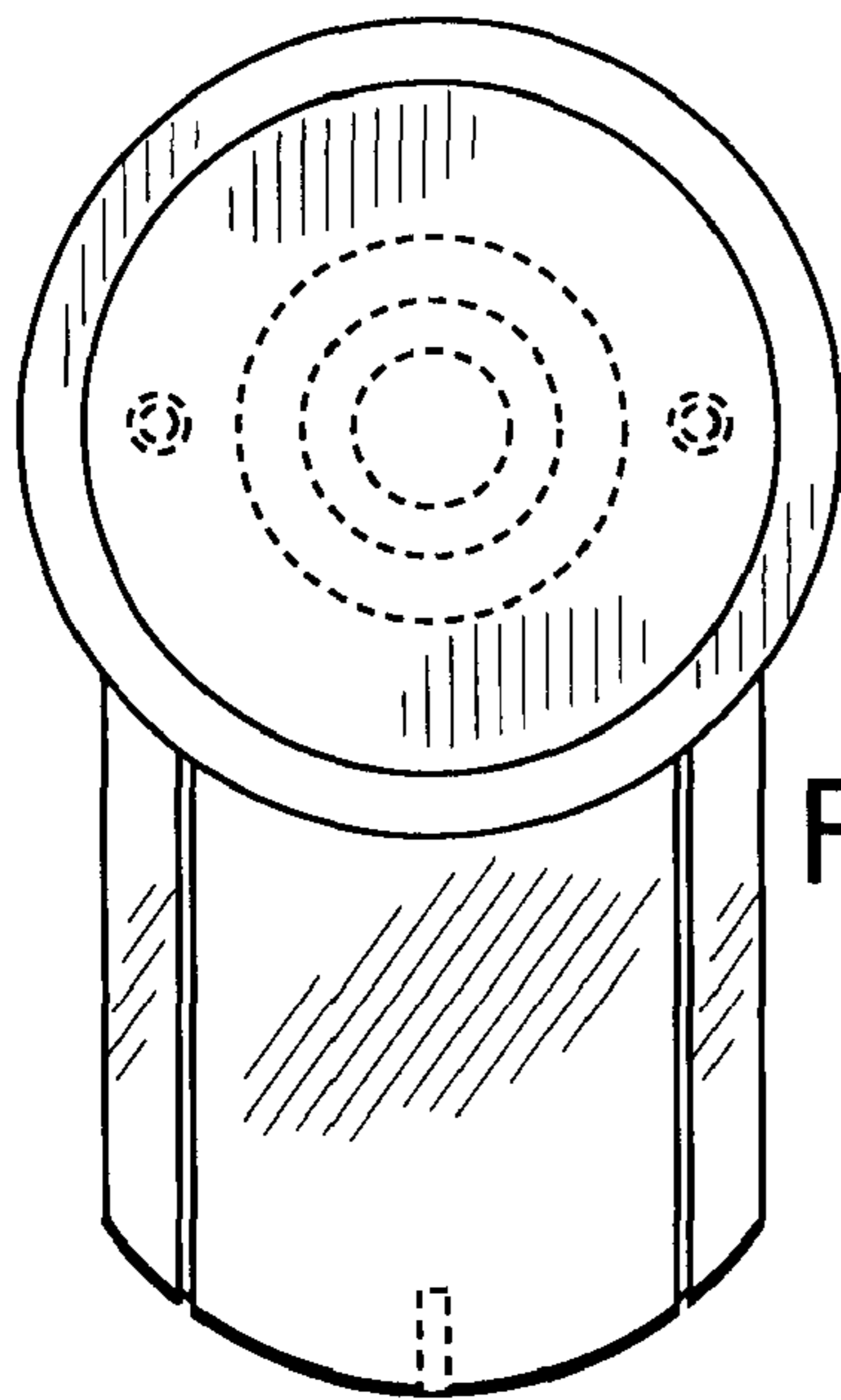


FIG. 4

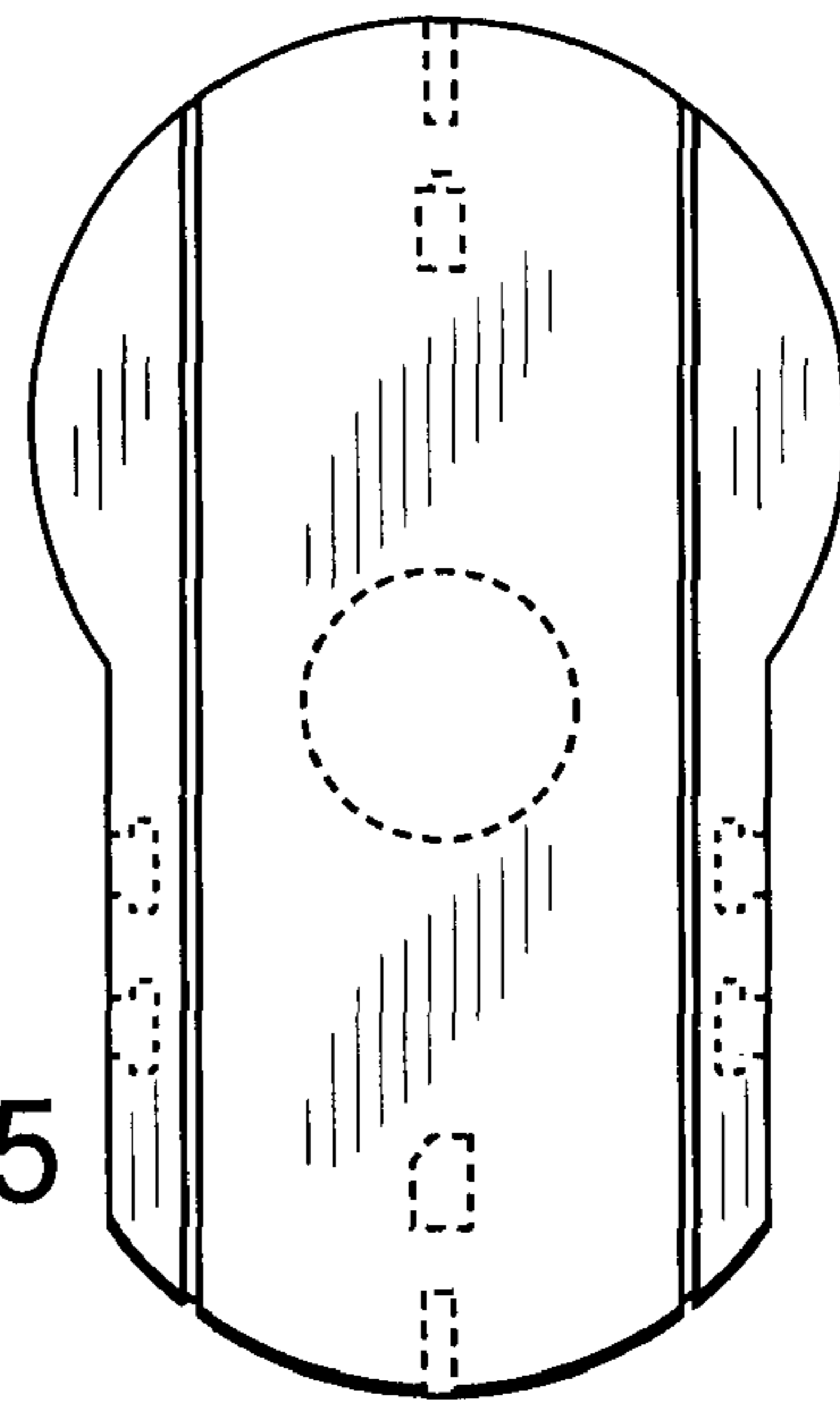
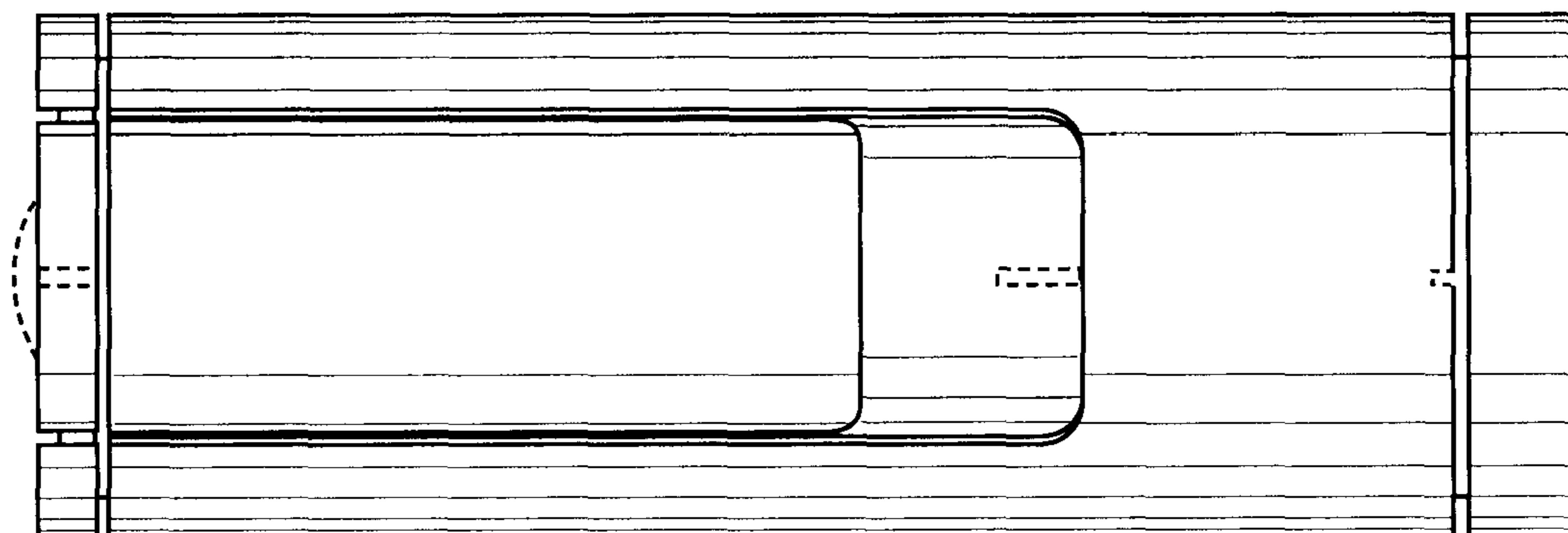


FIG. 5

FIG. 6





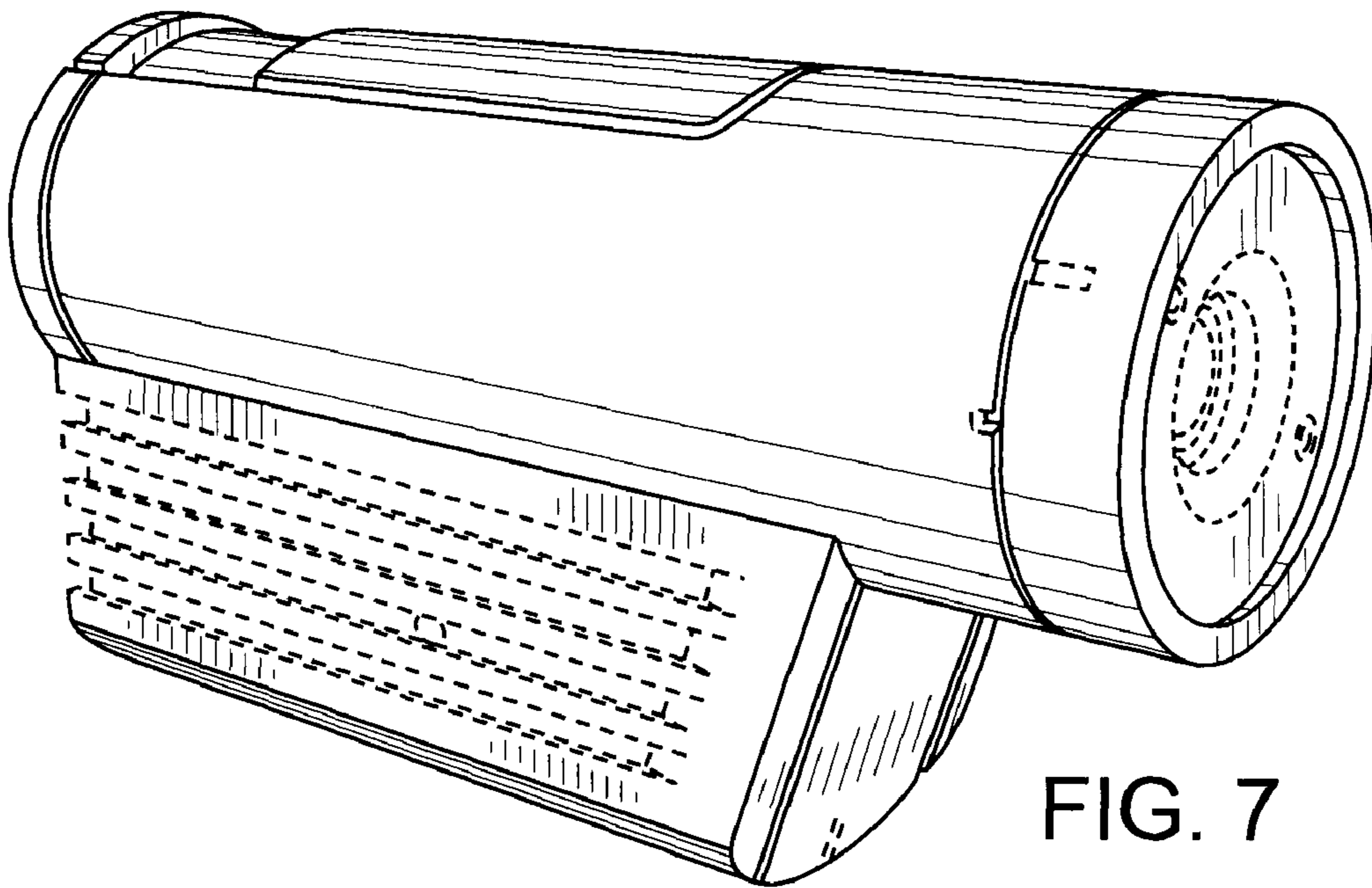


FIG. 7

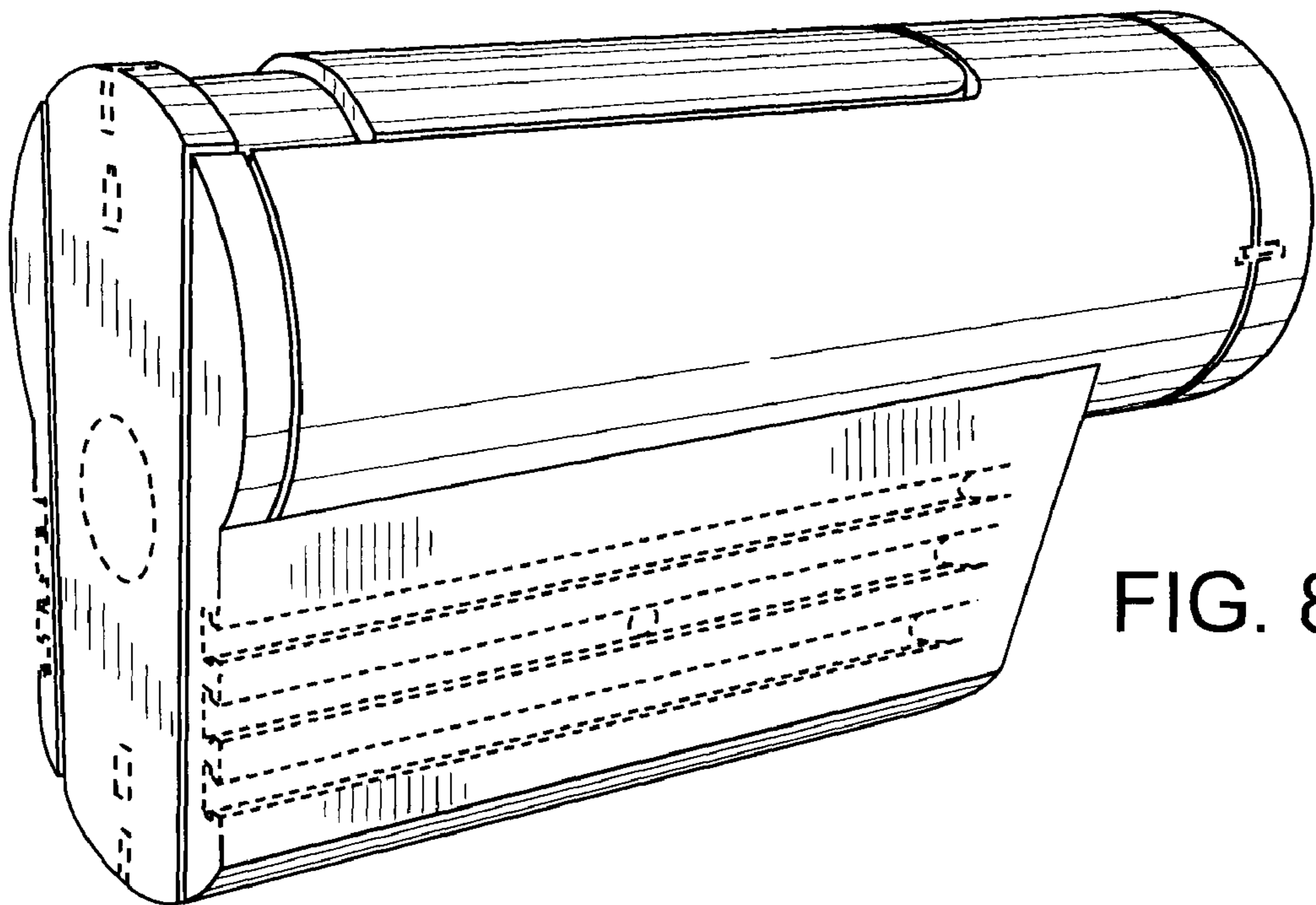


FIG. 8