



US00D616000S

(12) **United States Design Patent**
Yang et al.

(10) **Patent No.:** **US D616,000 S**

(45) **Date of Patent:** **** May 18, 2010**

(54) **REFRIGERATOR**

(75) Inventors: **Yun Ho Yang**, Seoul (KR); **Soo Hyung Kim**, Seoul (KR); **Sang Woon Jeon**, Kyunggi-Do (KR); **Jae Moon Lee**, Seoul (KR); **Sei Ill Jeon**, Kyunggi-Do (KR)

(73) Assignee: **Samsung Electronics Co., Ltd.**, Suwon (KR)

(**) Term: **14 Years**

(21) Appl. No.: **29/339,716**

(22) Filed: **Jul. 7, 2009**

(51) **LOC (9) Cl.** **15-07**

(52) **U.S. Cl.** **D15/86**

(58) **Field of Classification Search** D15/79,
D15/81, 85, 86, 87, 88; 62/3.6, 3.63, 3.64,
62/293, 331, 371, 440-445, 467; 312/112-119,
312/236, 400-408

See application file for complete search history.

(56) **References Cited**

U.S. PATENT DOCUMENTS

D508,059 S *	8/2005	Seok et al.	D15/86
D522,540 S *	6/2006	Cho et al.	D15/86
D540,832 S *	4/2007	Wang et al.	D15/86
D540,833 S *	4/2007	Wang et al.	D15/86

D543,560 S *	5/2007	Seum et al.	D15/86
D556,223 S *	11/2007	Wang et al.	D15/86
D557,292 S *	12/2007	Lee et al.	D15/86
D570,884 S *	6/2008	Yang et al.	D15/86
D578,555 S *	10/2008	Yeo et al.	D15/85
D594,886 S *	6/2009	Wang et al.	D15/86

* cited by examiner

Primary Examiner—Stella M Reid

Assistant Examiner—Shanda C Hill

(74) *Attorney, Agent, or Firm*—Ladas and Parry LLP

(57) **CLAIM**

The ornamental design for a refrigerator, as shown and described.

DESCRIPTION

FIG. 1 is a top, front, right side perspective view of a refrigerator showing my new design;

FIG. 2 is a front elevational view thereof;

FIG. 3 is a rear elevational view thereof;

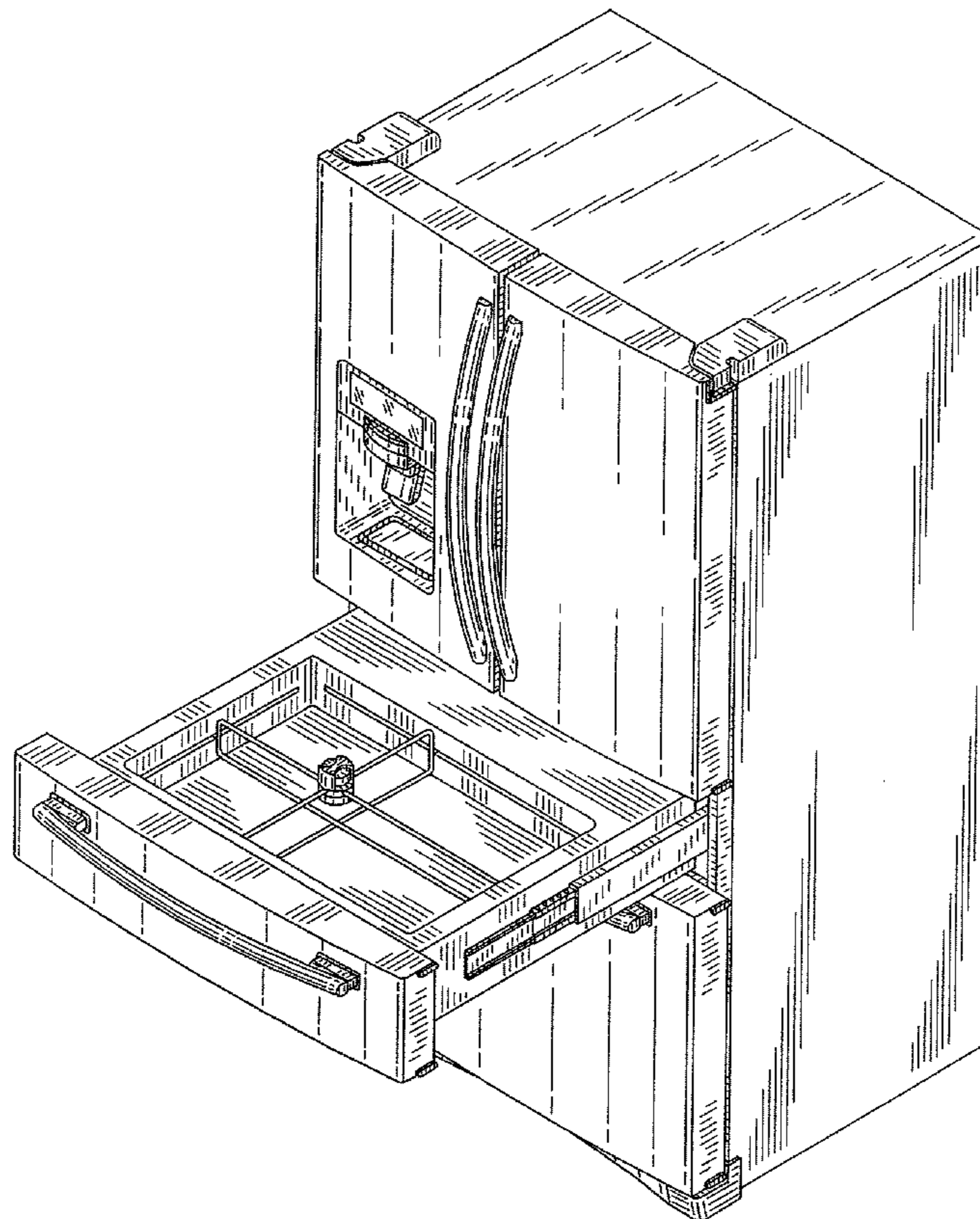
FIG. 4 is a left side elevational view thereof;

FIG. 5 is a right side elevational view thereof;

FIG. 6 is a top plan view thereof; and,

FIG. 7 is a bottom plan view thereof.

1 Claim, 7 Drawing Sheets



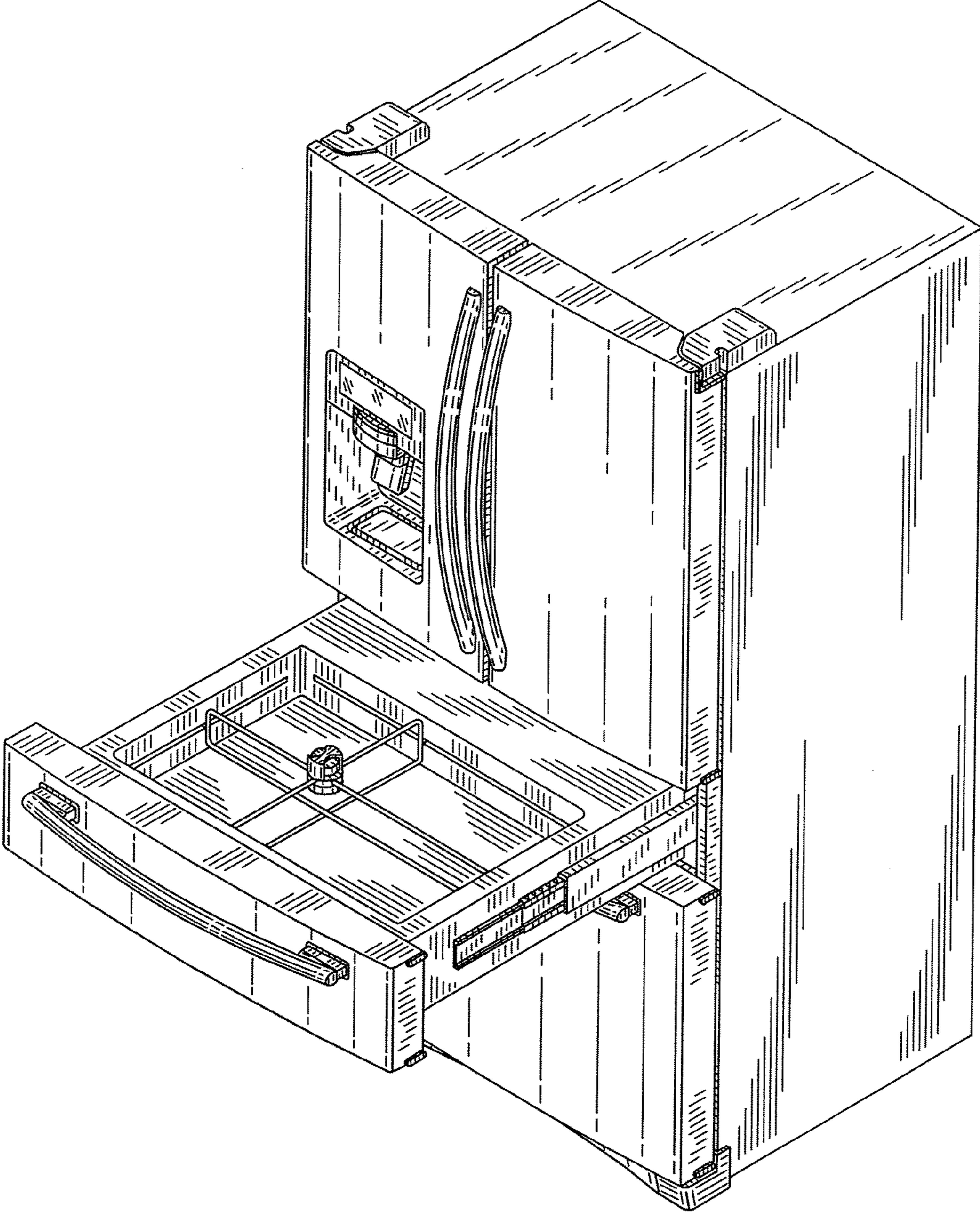


FIG. 1

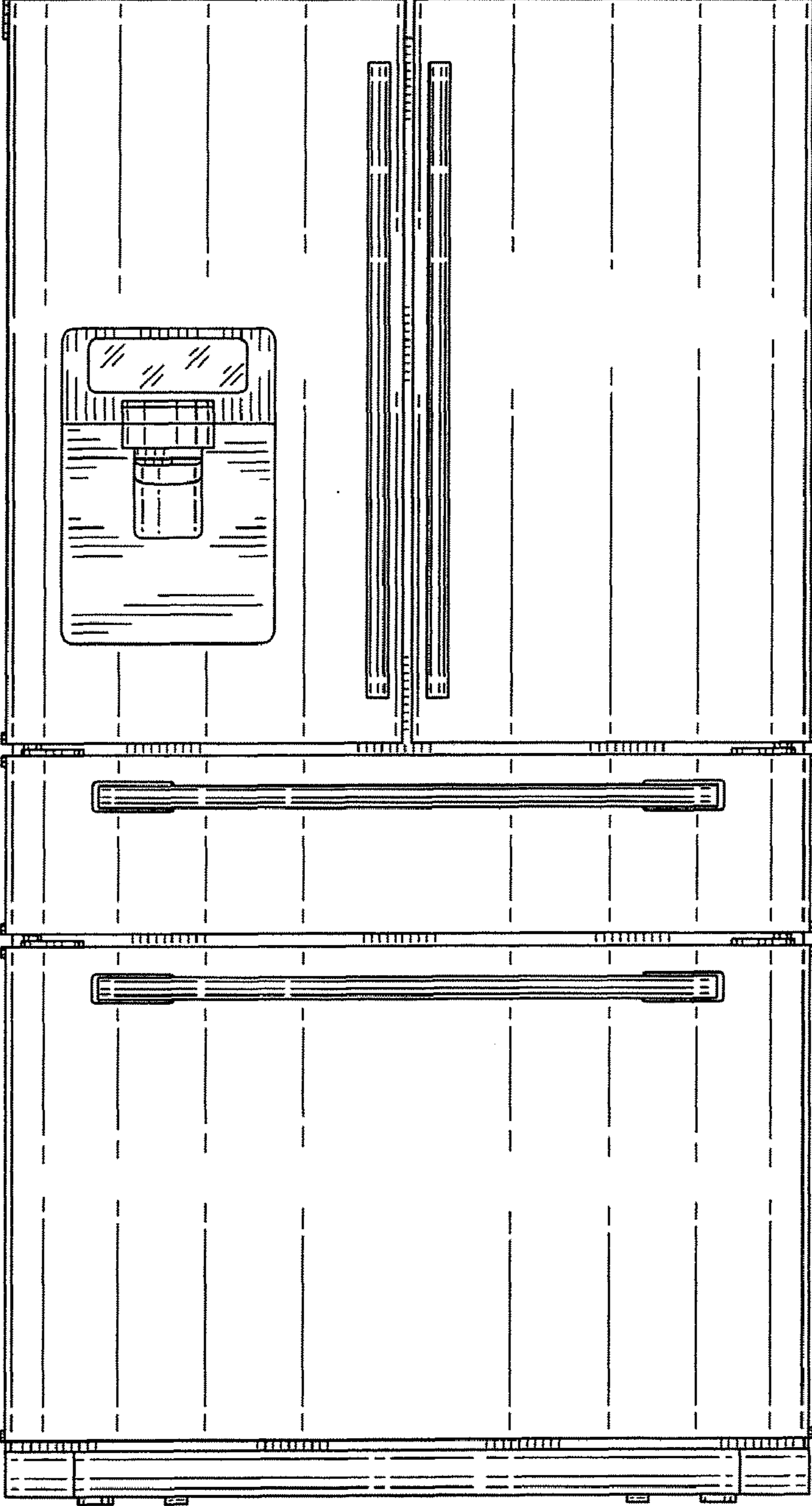


FIG. 2

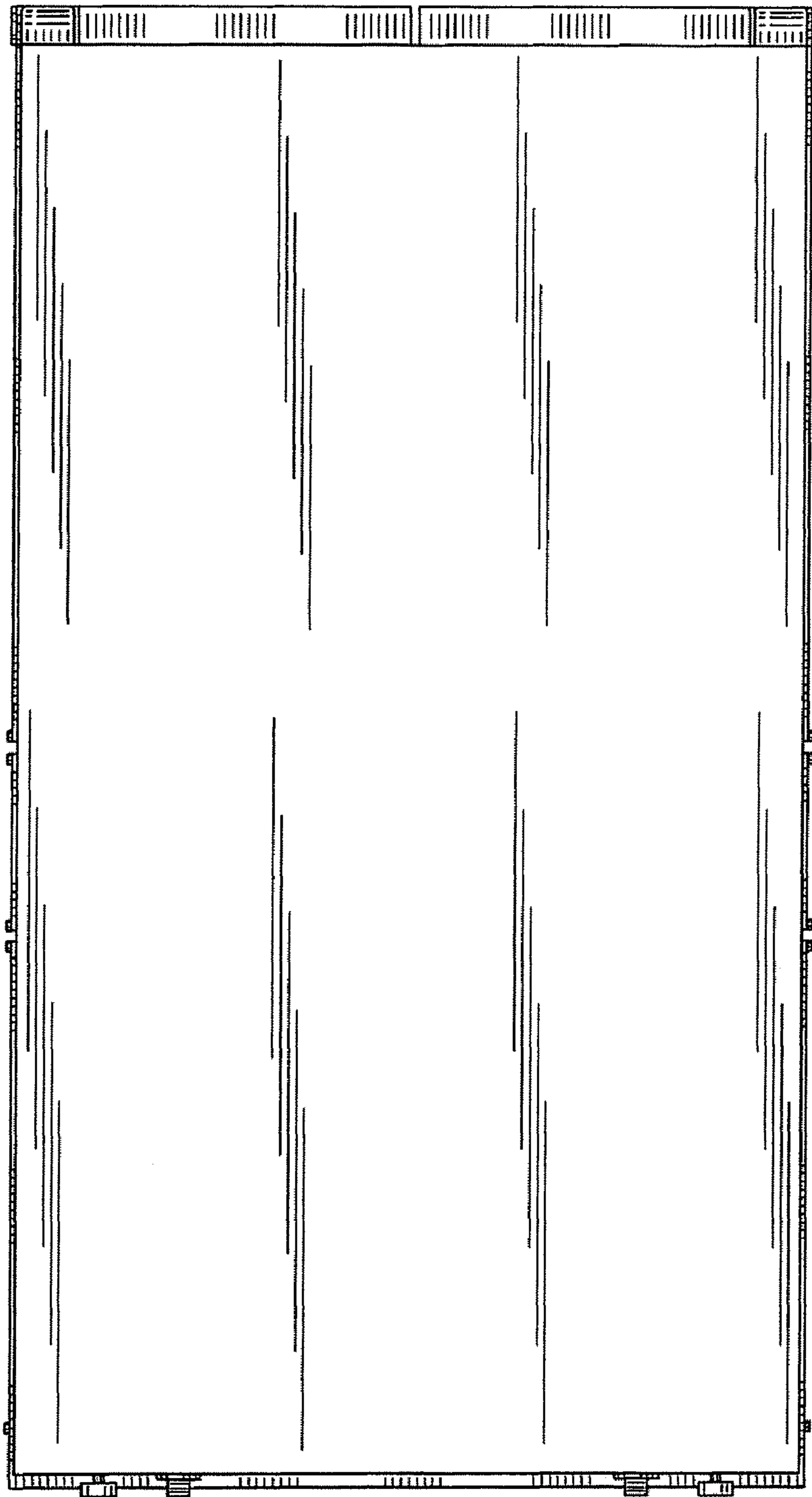


FIG. 3

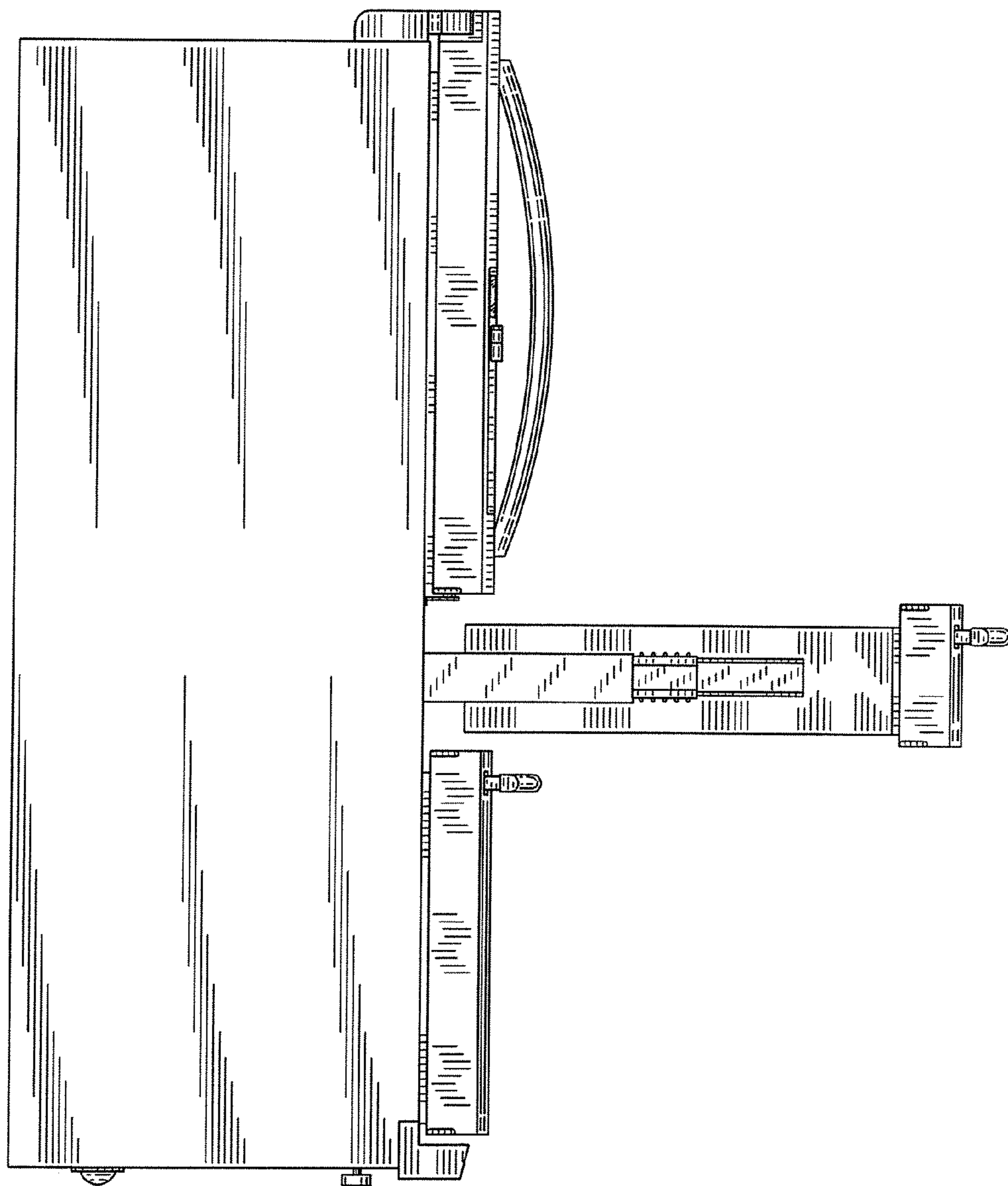


FIG. 4

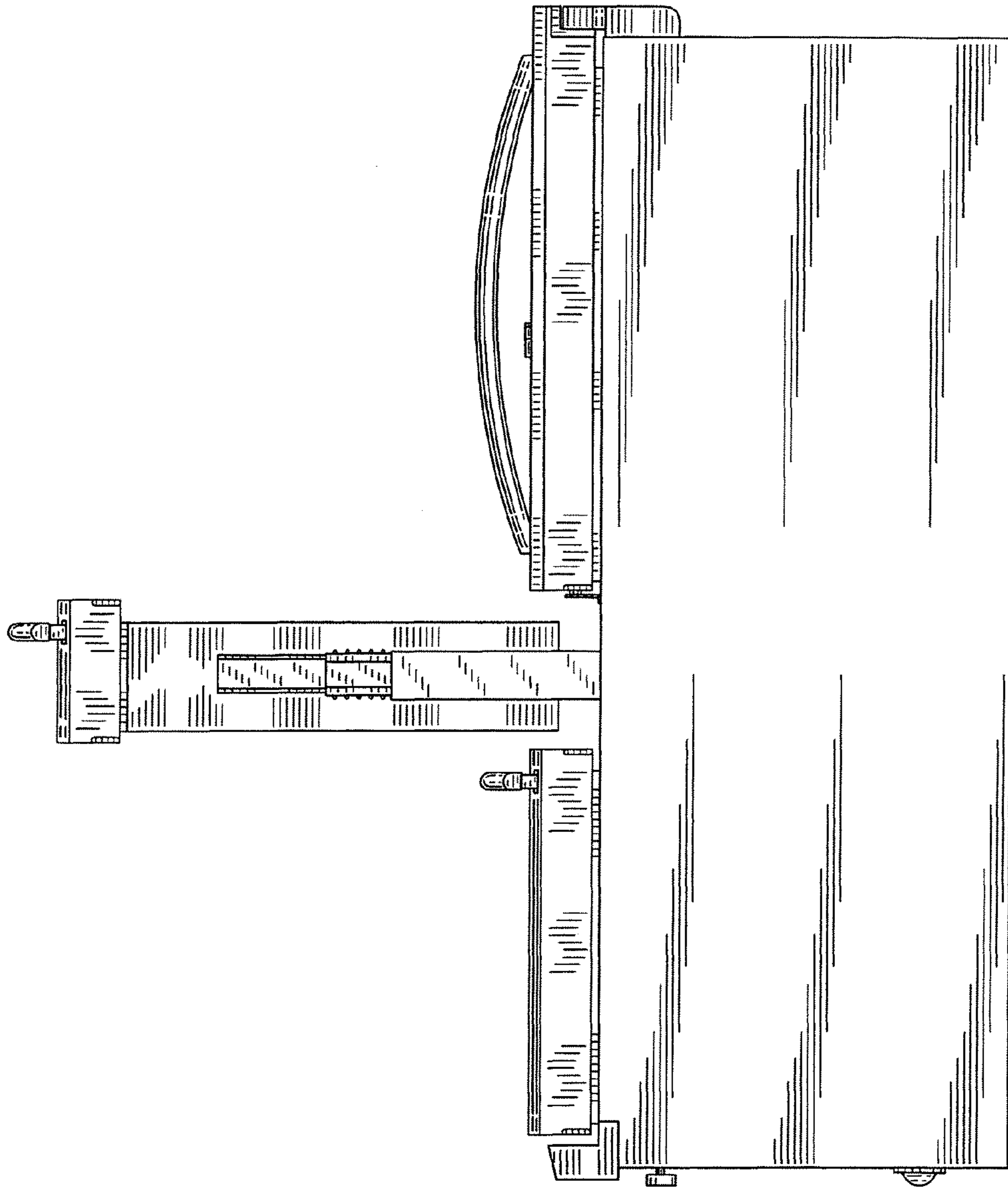


FIG. 5

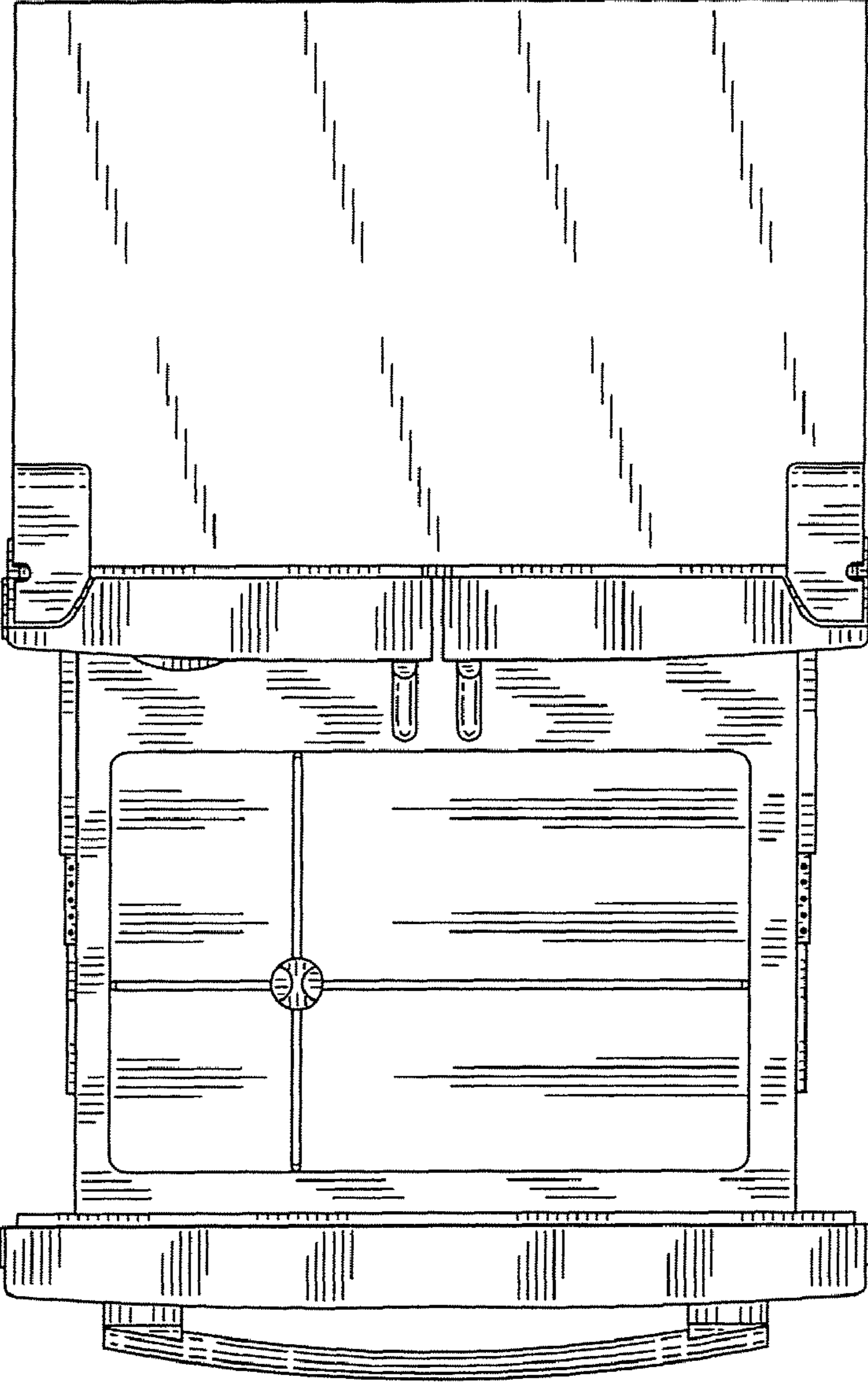


FIG. 6

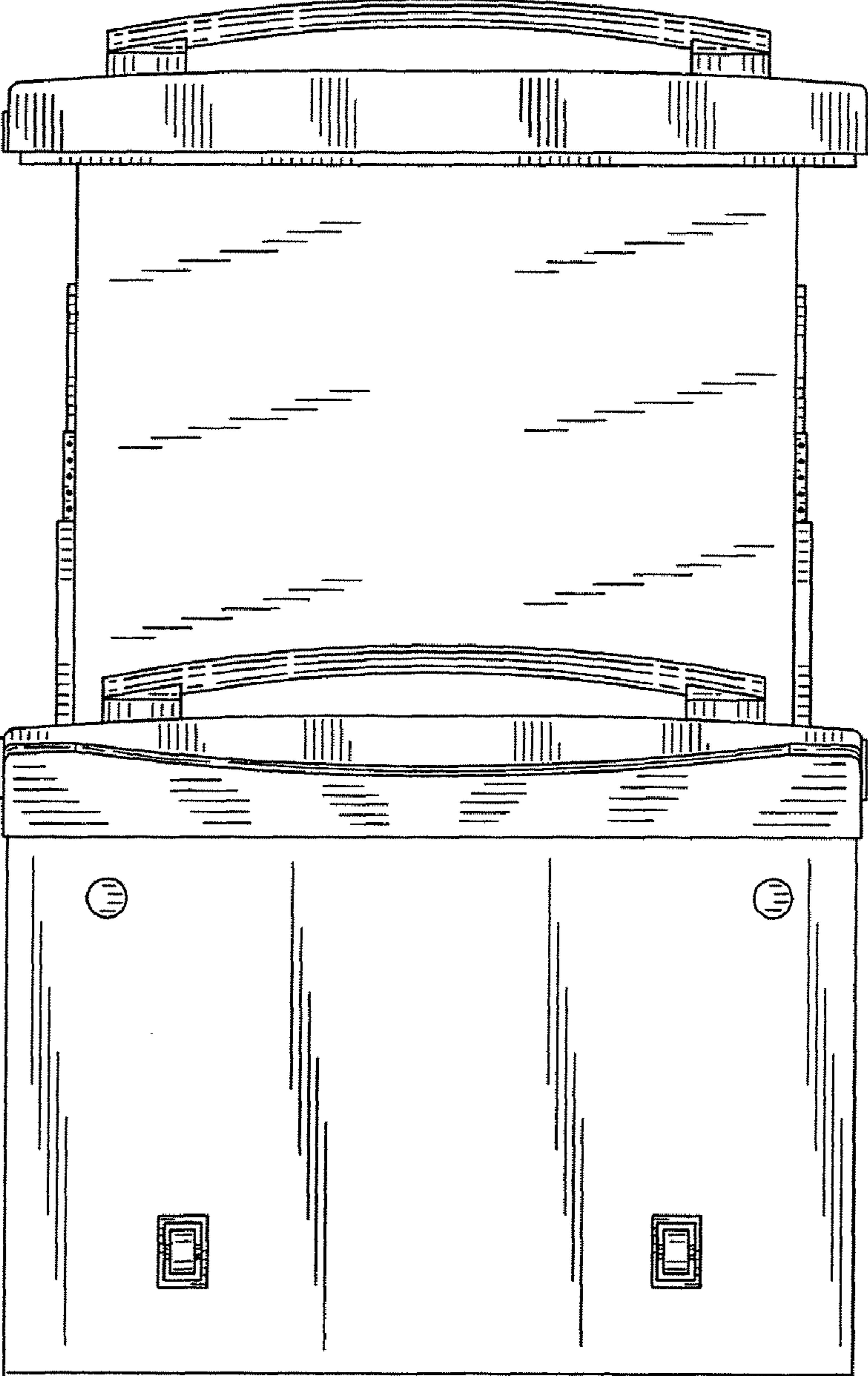


FIG. 7