



US00D615998S

(12) **United States Design Patent**
Kovach et al.

(10) **Patent No.:** **US D615,998 S**
(45) **Date of Patent:** **** May 18, 2010**

(54) **TILLAGE POINT**

(75) Inventors: **Michael G. Kovach**, Morton, IL (US);
Martin Roberge, Saskatoon (CA);
Robert Lee Armstrong, Washington, IL (US)

(73) Assignee: **CNH Canada, Ltd.**, Saskatoon, SK (CA)

(**) Term: **14 Years**

(21) Appl. No.: **29/339,452**

(22) Filed: **Jun. 30, 2009**

(51) **LOC (9) Cl.** **15-03**

(52) **U.S. Cl.** **D15/29**

(58) **Field of Classification Search** D15/11,
D15/28, 29; 37/452, 450; 111/152; 172/724,
172/730, 766, 770, 771, 721, 713, 699
See application file for complete search history.

(56) **References Cited**

U.S. PATENT DOCUMENTS

184,171 A	11/1876	Porter	
1,255,442 A	2/1918	Lawford	
2,619,054 A	11/1952	Bell	
3,171,500 A	3/1965	Dils, Jr.	
3,180,431 A	4/1965	Lauder et al.	
3,268,012 A	8/1966	Ratkowski	
4,245,706 A	1/1981	Dietrich, Sr.	
4,538,689 A	9/1985	Dietrich, Sr.	
D285,691 S	9/1986	Johnson	
4,679,635 A	7/1987	Fields	
4,770,112 A	9/1988	Neumeyer	
D299,350 S *	1/1989	Edmisson D15/29
5,437,337 A	8/1995	Dietrich, Sr.	
5,499,684 A	3/1996	Stratton	
5,499,686 A	3/1996	Parker	
5,540,288 A	7/1996	Dietrich, Sr.	
5,605,196 A	2/1997	Grimm et al.	

D411,546 S	6/1999	Chapman	
D415,173 S *	10/1999	Zaun D15/29
D429,257 S *	8/2000	Zaun D15/29
D429,258 S	8/2000	Zaun	

(Continued)

OTHER PUBLICATIONS

U.S. Appl. No. 12/495,121, filed Jun. 30, 2009, Kovach et al.

(Continued)

Primary Examiner—Ian Simmons
Assistant Examiner—Mark A Goodwin

(74) *Attorney, Agent, or Firm*—Rebecca L. Henkel; John William Stader

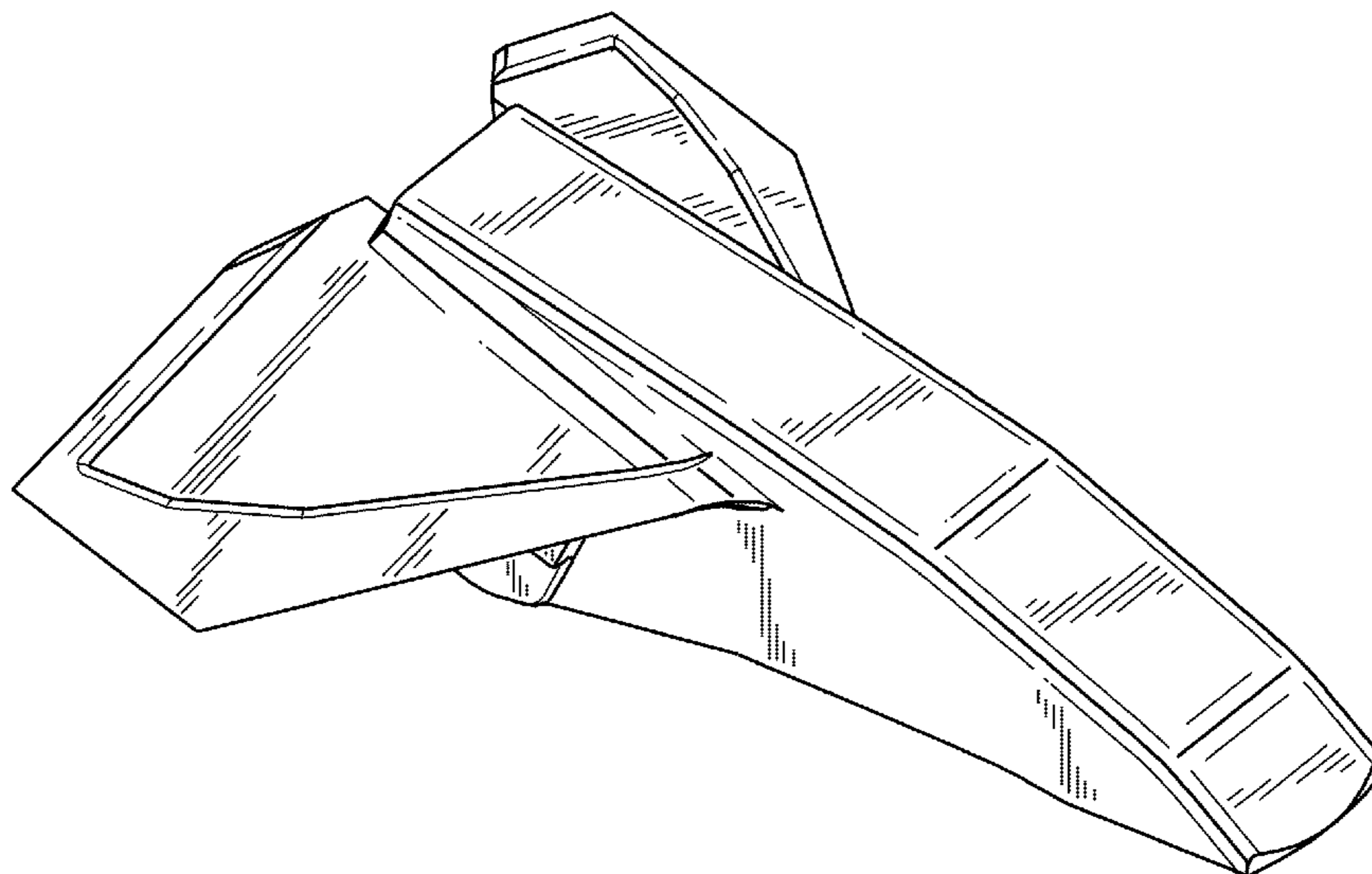
(57) **CLAIM**

The ornamental design for a tillage point, as shown and described.

DESCRIPTION

FIG. 1 is a top right perspective view of a tillage point showing our new design;
FIG. 2 is a right side elevation view thereof, the left side elevation view being a mirror image thereof;
FIG. 3 is a top plan view of the tillage point;
FIG. 4 is a bottom plan view of the tillage point;
FIG. 5 is a front elevation view of the tillage point; and,
FIG. 6 is a back elevation view of the tillage point.
The broken line showing in FIGS. 2–4 and 6 is included for the purpose of illustrating portions of the tillage point and forms no part of the claimed design.

1 Claim, 5 Drawing Sheets



US D615,998 S

Page 2

U.S. PATENT DOCUMENTS

6,276,462 B1 8/2001 Dietrich, Sr.
6,422,323 B1 7/2002 Dietrich, Sr.
6,443,237 B1 9/2002 Myers et al.
D505,137 S 5/2005 Steinlage et al.
D512,078 S 11/2005 Poutre
7,104,341 B2 9/2006 Steinlage et al.
7,114,272 B2* 10/2006 Clendenning et al. 37/452

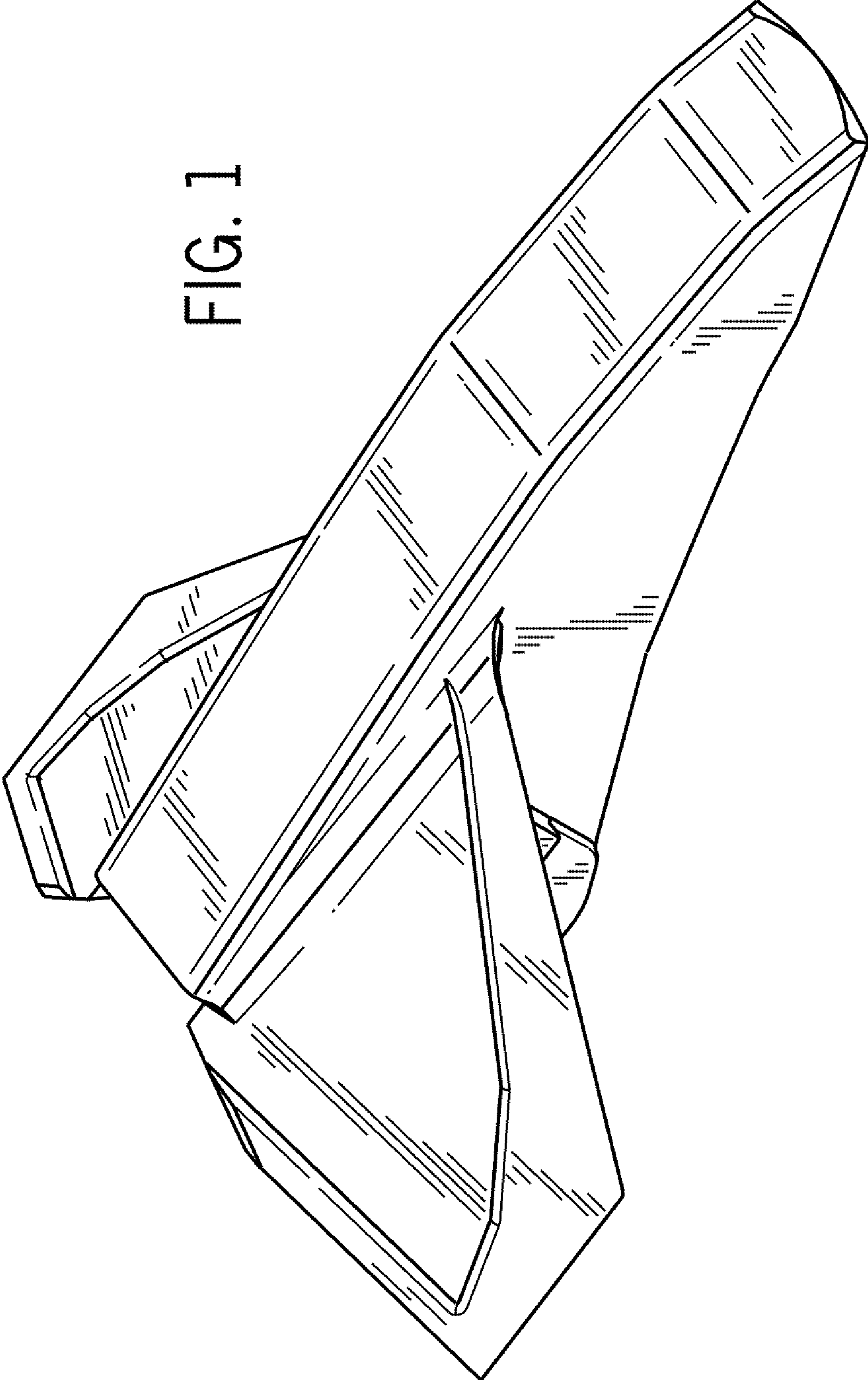
D560,691 S * 1/2008 Launder et al. D15/29
7,506,595 B2 3/2009 Bergen
2005/0072345 A1* 4/2005 Steinlage et al. 111/152

OTHER PUBLICATIONS

U.S. Appl. No. 12/495,379, filed Jun. 30, 2009, Kovach et al.

* cited by examiner

FIG. 1



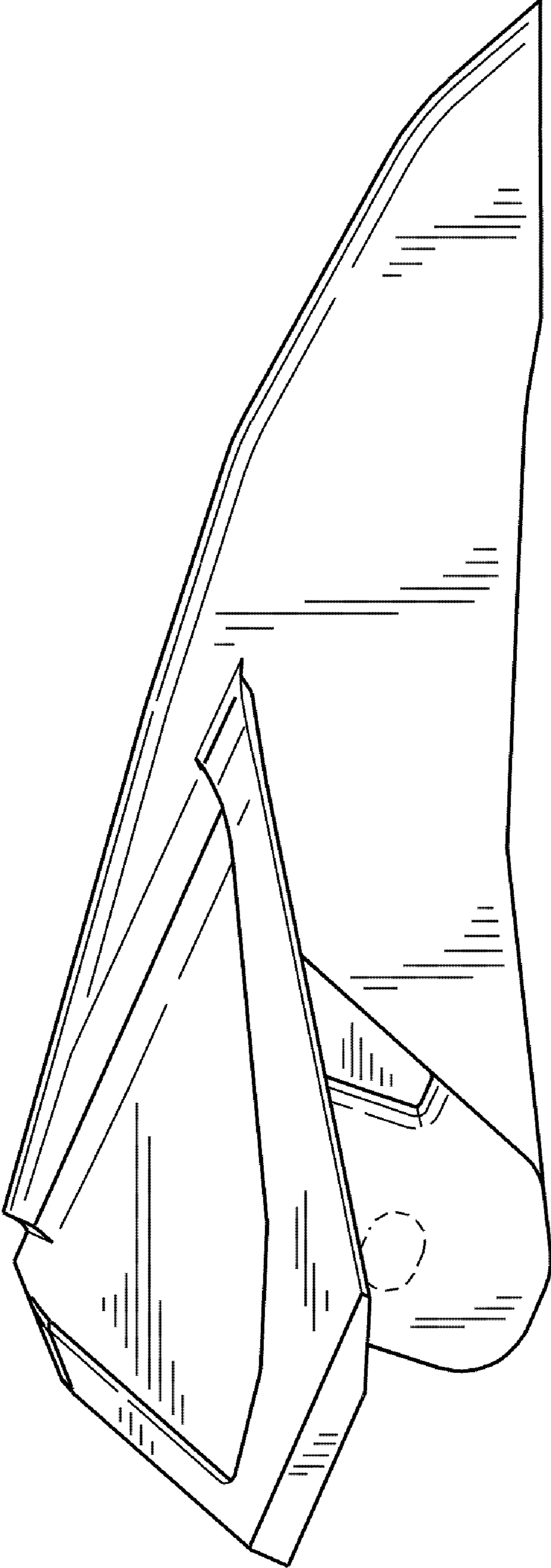


FIG. 2

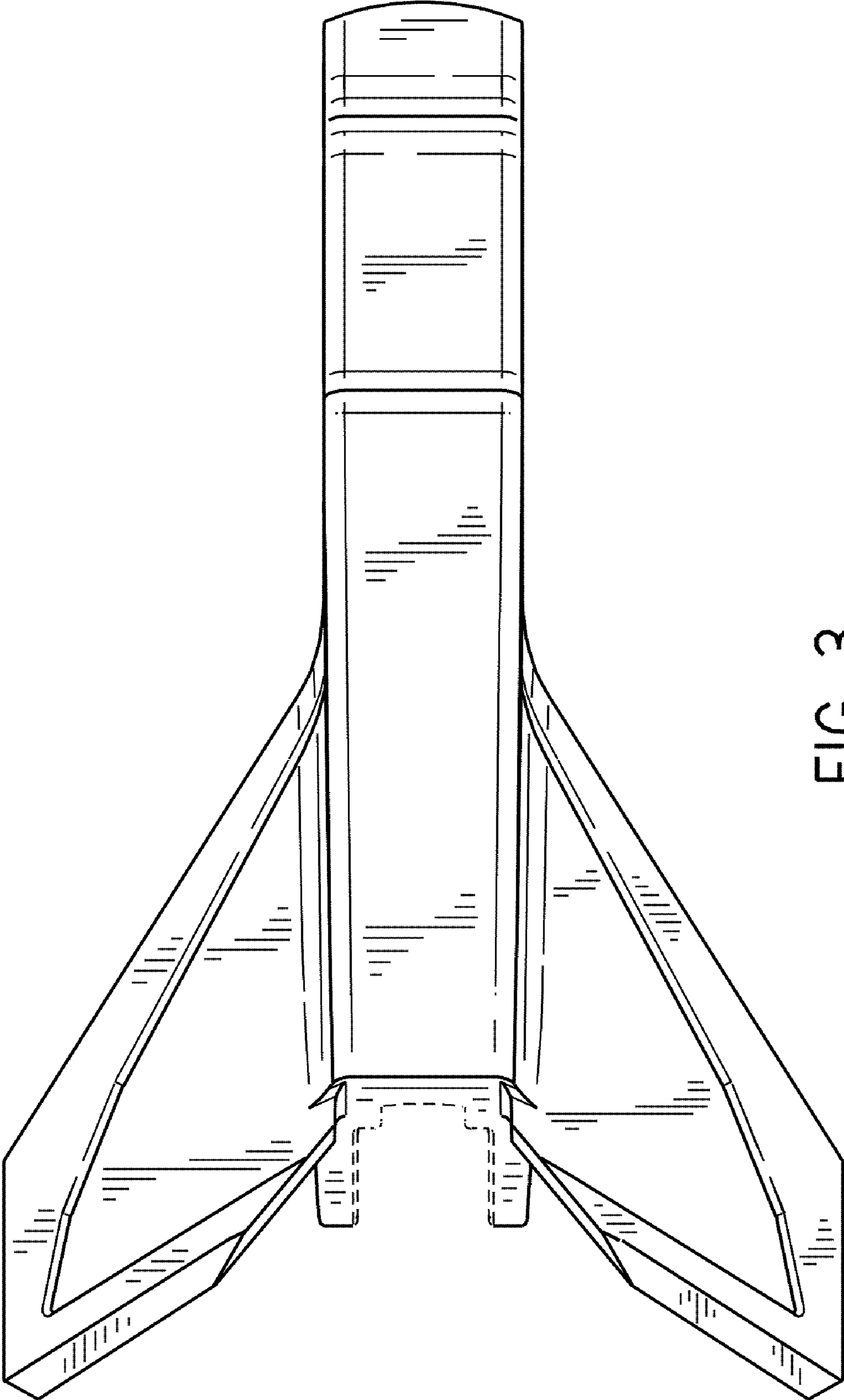


FIG. 3

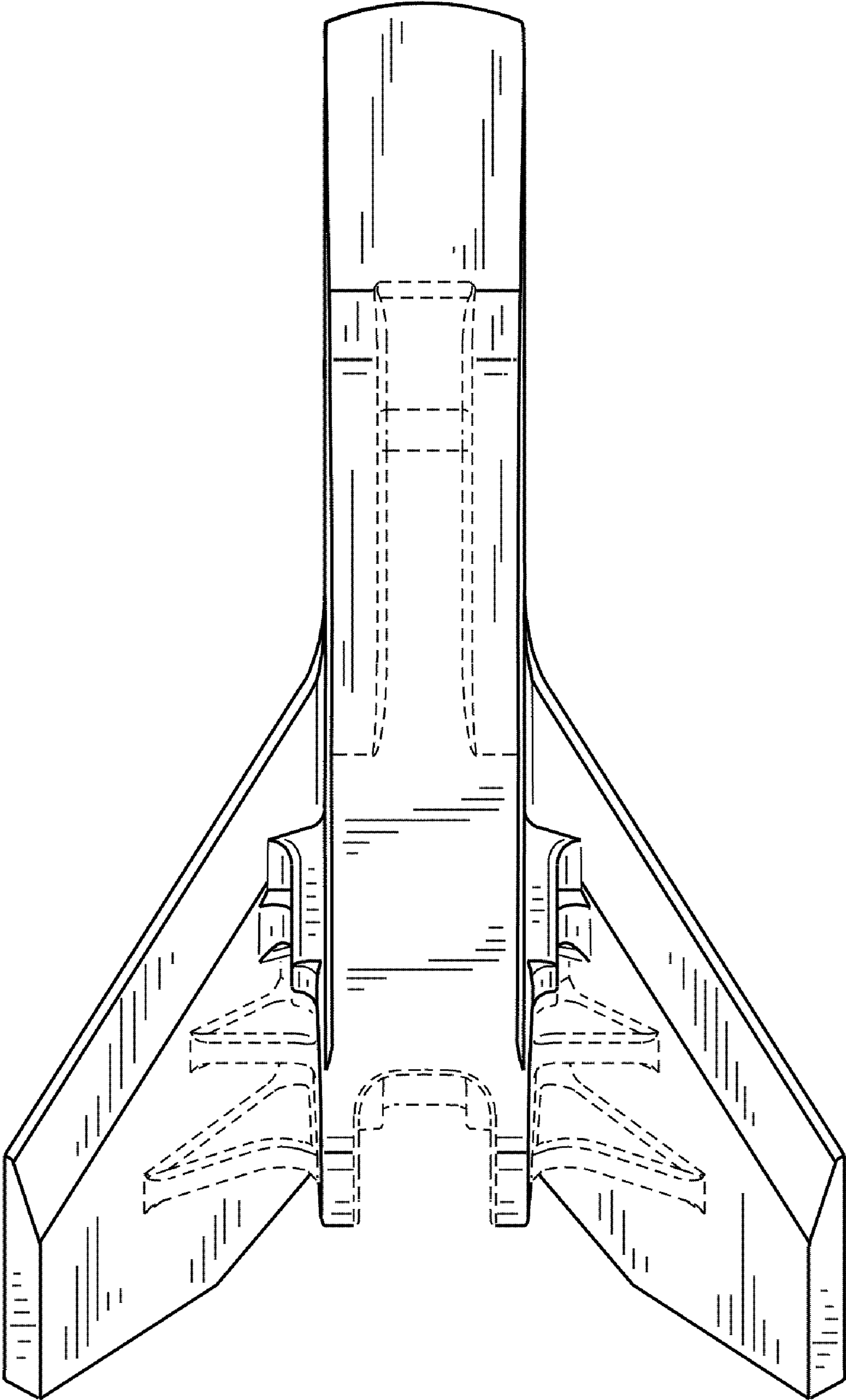


FIG. 4

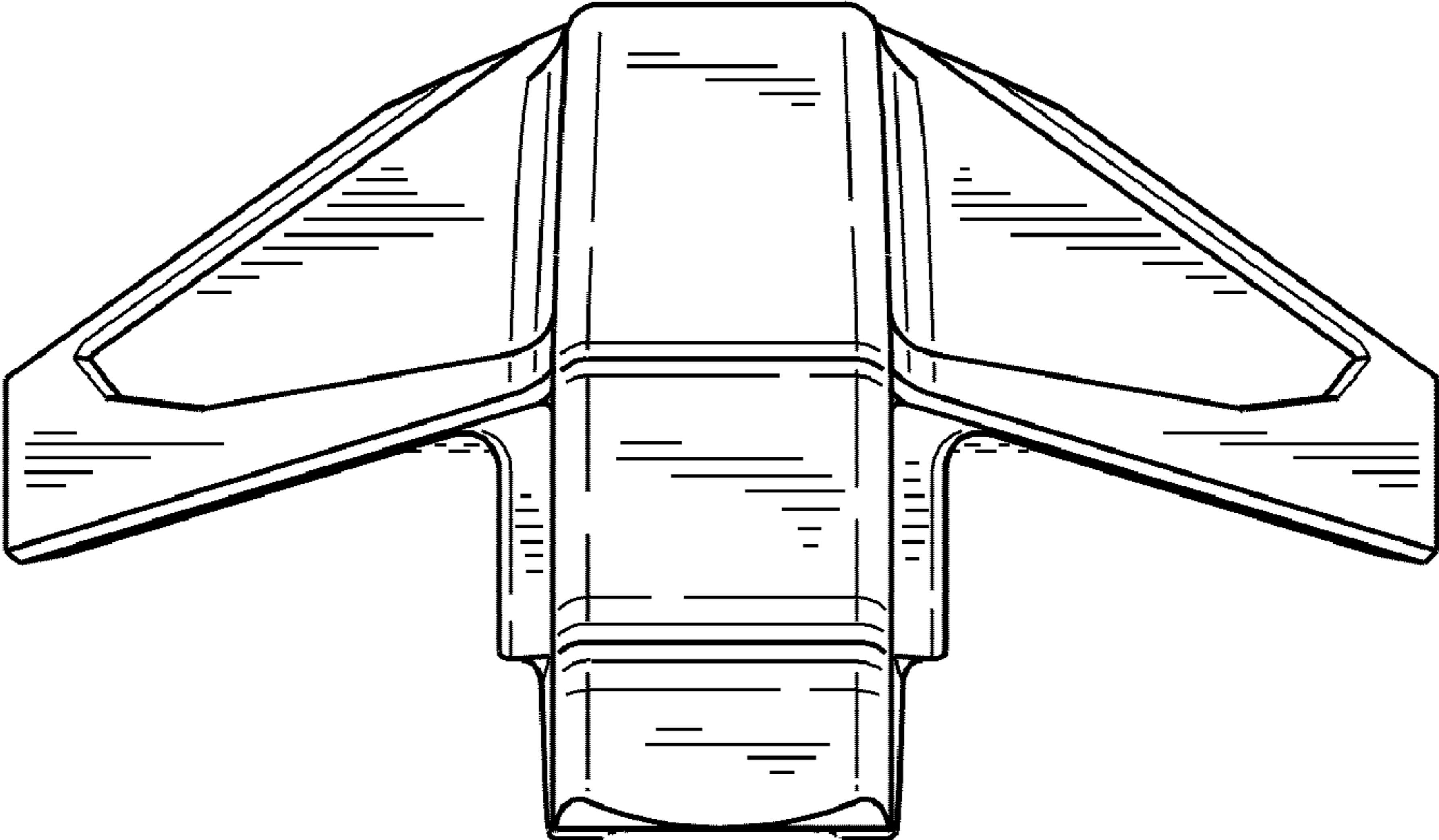


FIG. 5

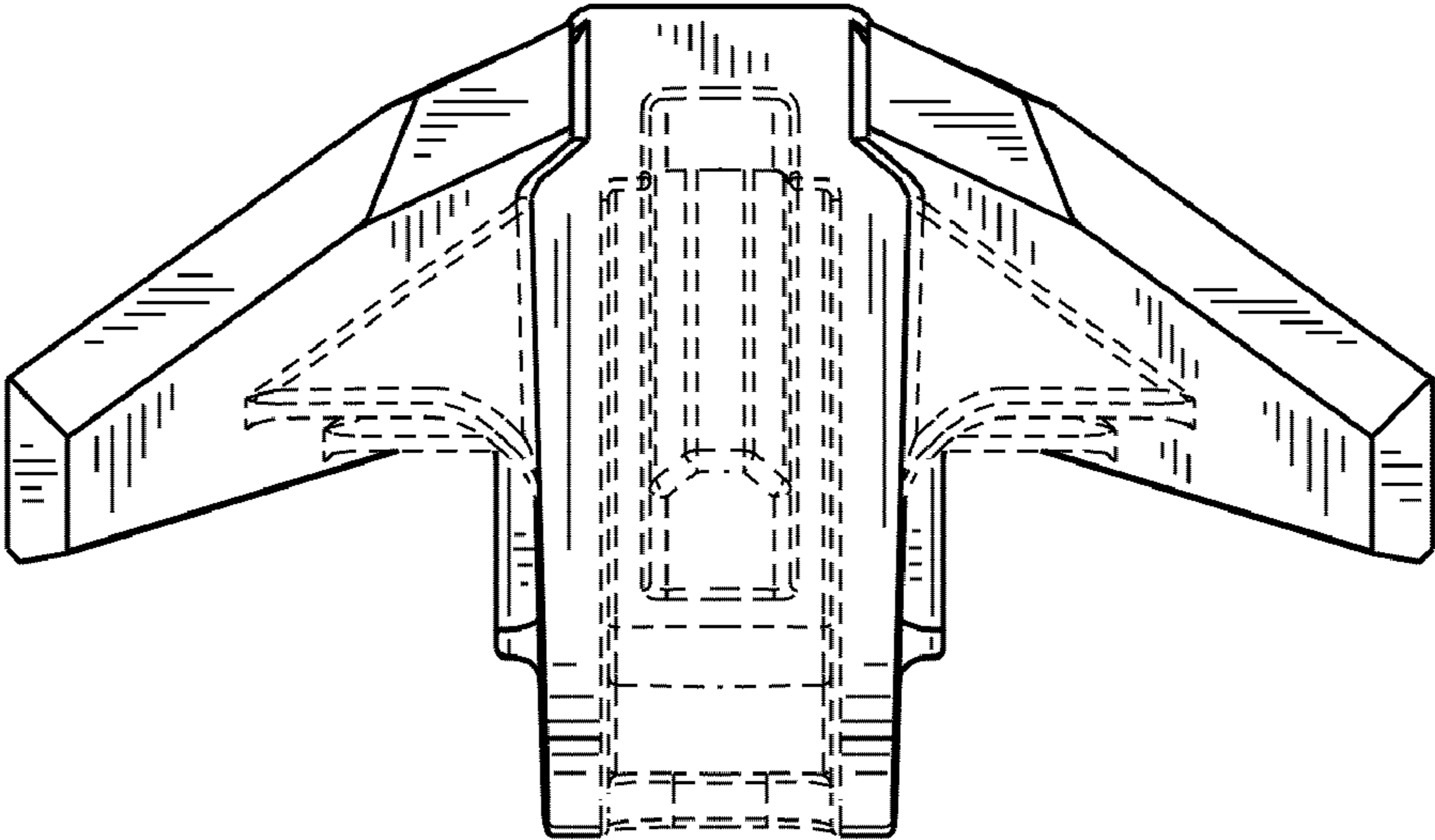


FIG. 6