



US00D615997S

(12) **United States Design Patent**  
**Loew et al.**

(10) **Patent No.:** **US D615,997 S**  
(45) **Date of Patent:** **\*\* May 18, 2010**

(54) **VIBRATING PLATE**

(75) Inventors: **Roland Loew**, Klein-Winternheim (DE);  
**Kurt Hickmann**, Braunschorn (DE)

(73) Assignee: **Bomag GmbH**, Boppard (DE)

(\*\*) Term: **14 Years**

(21) Appl. No.: **29/332,645**

(22) Filed: **Feb. 20, 2009**

(30) **Foreign Application Priority Data**

Aug. 22, 1920 (EM) ..... 000990627-0001  
Aug. 22, 1920 (EM) ..... 000990627-0003

(51) **LOC (9) Cl.** ..... **15-03**

(52) **U.S. Cl.** ..... **D15/20**

(58) **Field of Classification Search** ..... D15/20,  
D15/10, 147; 404/113, 133.1, 133.05, 114,  
404/117; 74/61; 173/113, 118; 172/699;  
56/11.3

See application file for complete search history.

(56) **References Cited**

**U.S. PATENT DOCUMENTS**

D183,297 S \* 8/1958 Brown ..... D15/20  
D197,360 S \* 1/1964 Frohnauer, Jr. .... D15/20  
3,279,338 A \* 10/1966 Briggs et al. .... 404/113  
D215,497 S \* 10/1969 Frohnauer, Jr. .... D15/20  
D227,166 S \* 6/1973 Briggs et al. .... D15/20  
D227,598 S \* 7/1973 Maass ..... D15/20  
D235,374 S \* 6/1975 Aiello ..... D15/20  
D393,864 S \* 4/1998 Waldenberger et al. .... D15/20  
6,551,022 B1 \* 4/2003 Stayner ..... 404/133.1  
6,588,977 B1 \* 7/2003 Stayner ..... 404/133.1  
D517,094 S \* 3/2006 Stein et al. .... D15/20  
D518,070 S \* 3/2006 Schennach ..... D15/20

D542,810 S \* 5/2007 Tanaka et al. .... D15/20  
7,303,356 B2 \* 12/2007 Schennach et al. .... 404/133.1  
2006/0083590 A1 \* 4/2006 Schennach et al. .... 404/133.1  
2008/0003058 A1 \* 1/2008 Persson et al. .... 404/133.1  
2008/0247824 A1 \* 10/2008 Steffen ..... 404/133.05  
2009/0035065 A1 \* 2/2009 Gavins ..... 404/114

\* cited by examiner

*Primary Examiner*—Stella M Reid

*Assistant Examiner*—Mark A Goodwin

(74) *Attorney, Agent, or Firm*—Baker & Hostetler LLP

(57) **CLAIM**

The ornamental design for a vibrating plate, as shown and described.

**DESCRIPTION**

FIG. 1 is a perspective view of a vibrating plate showing our new design according to a first embodiment;

FIG. 2 is a right side view thereof;

FIG. 3 is a front view thereof;

FIG. 4 is a top view thereof;

FIG. 5 is a rear view thereof;

FIG. 6 is a perspective view of a vibrating plate showing our new design according to a second embodiment;

FIG. 7 is a right side view thereof;

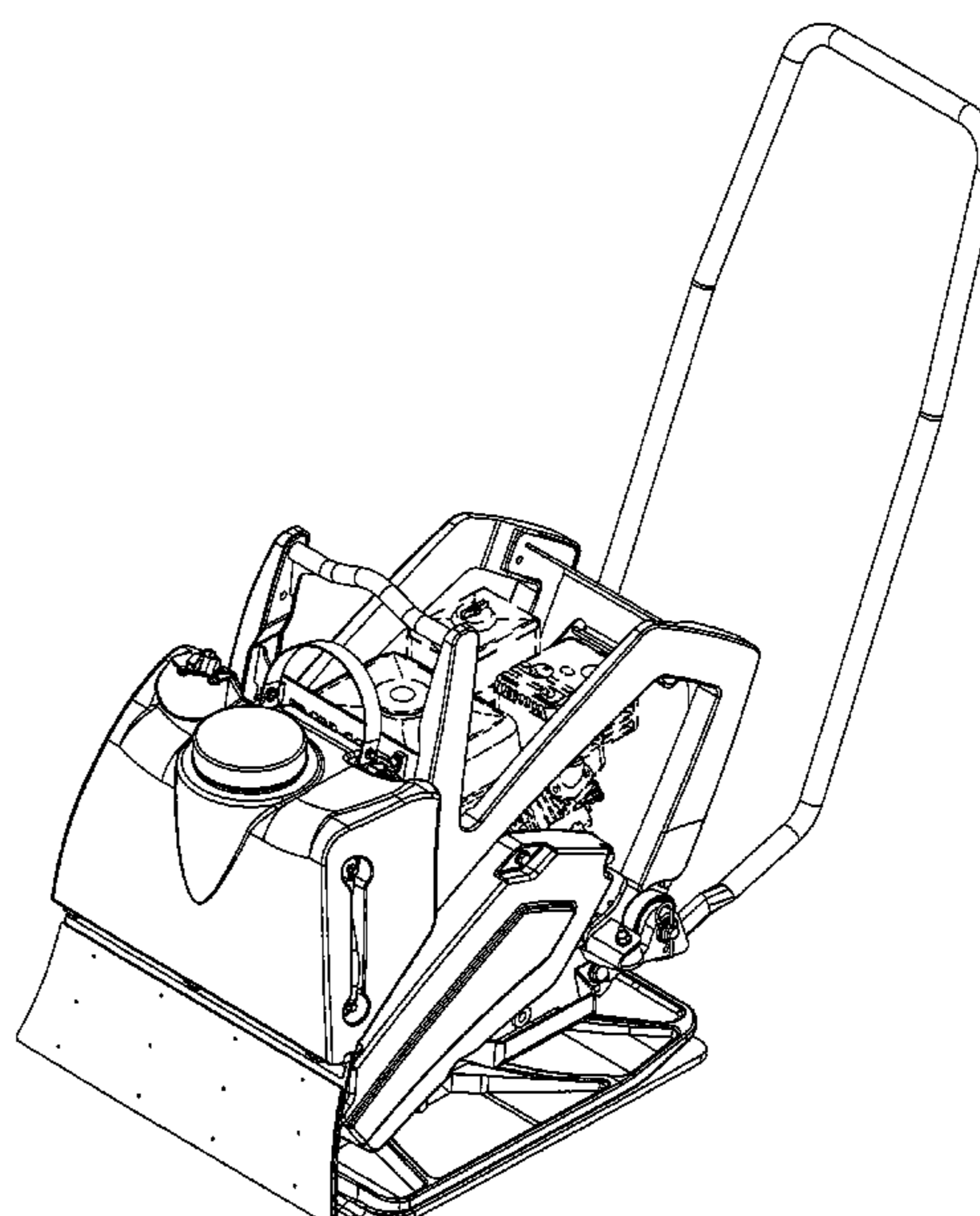
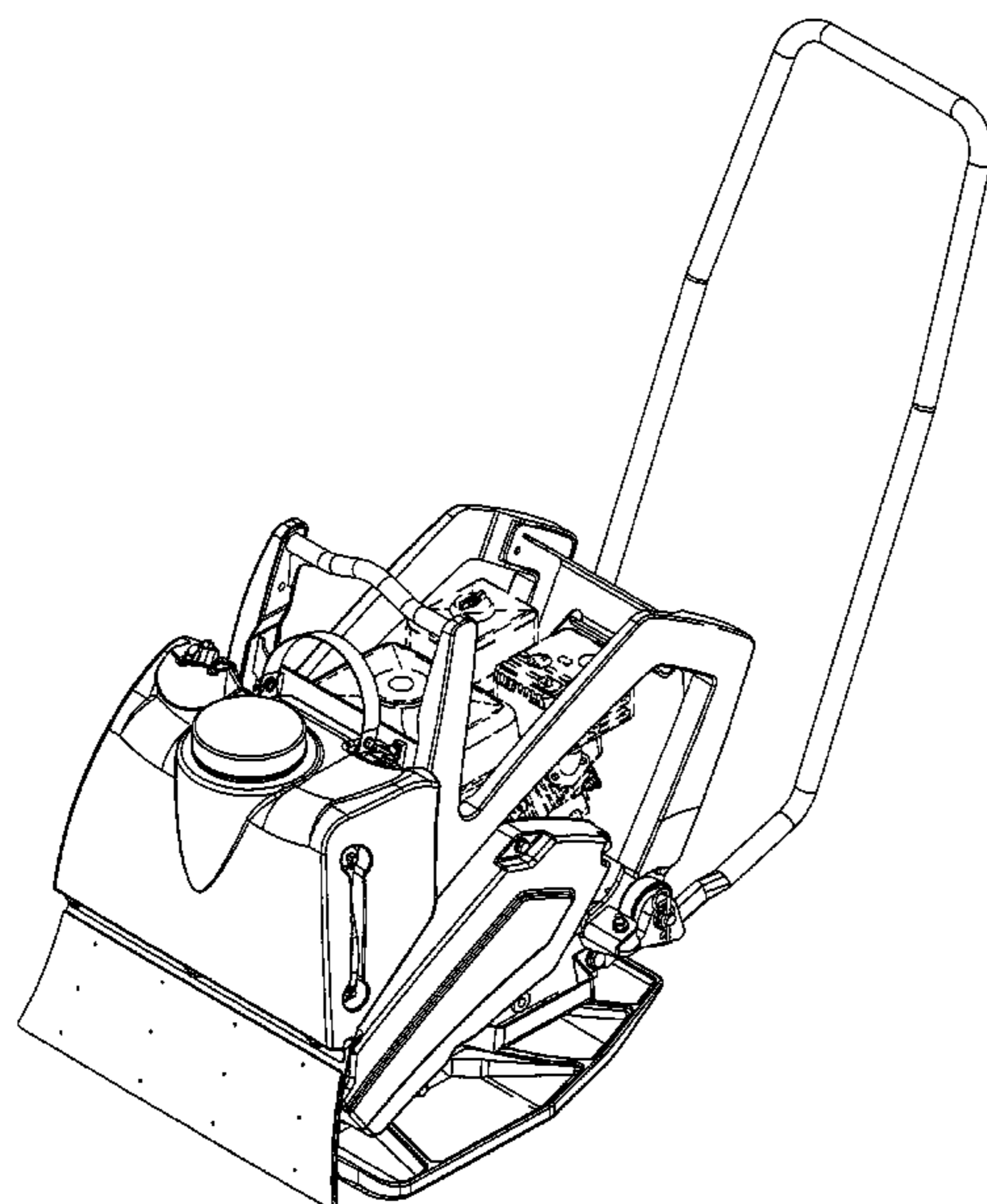
FIG. 8 is a front view thereof;

FIG. 9 is a top view thereof; and,

FIG. 10 is a rear view thereof.

The broken line showing of the engine is included for the purpose of illustrating portions of the vibrating plate with transport rollers and forms no part of the claimed design.

**1 Claim, 10 Drawing Sheets**



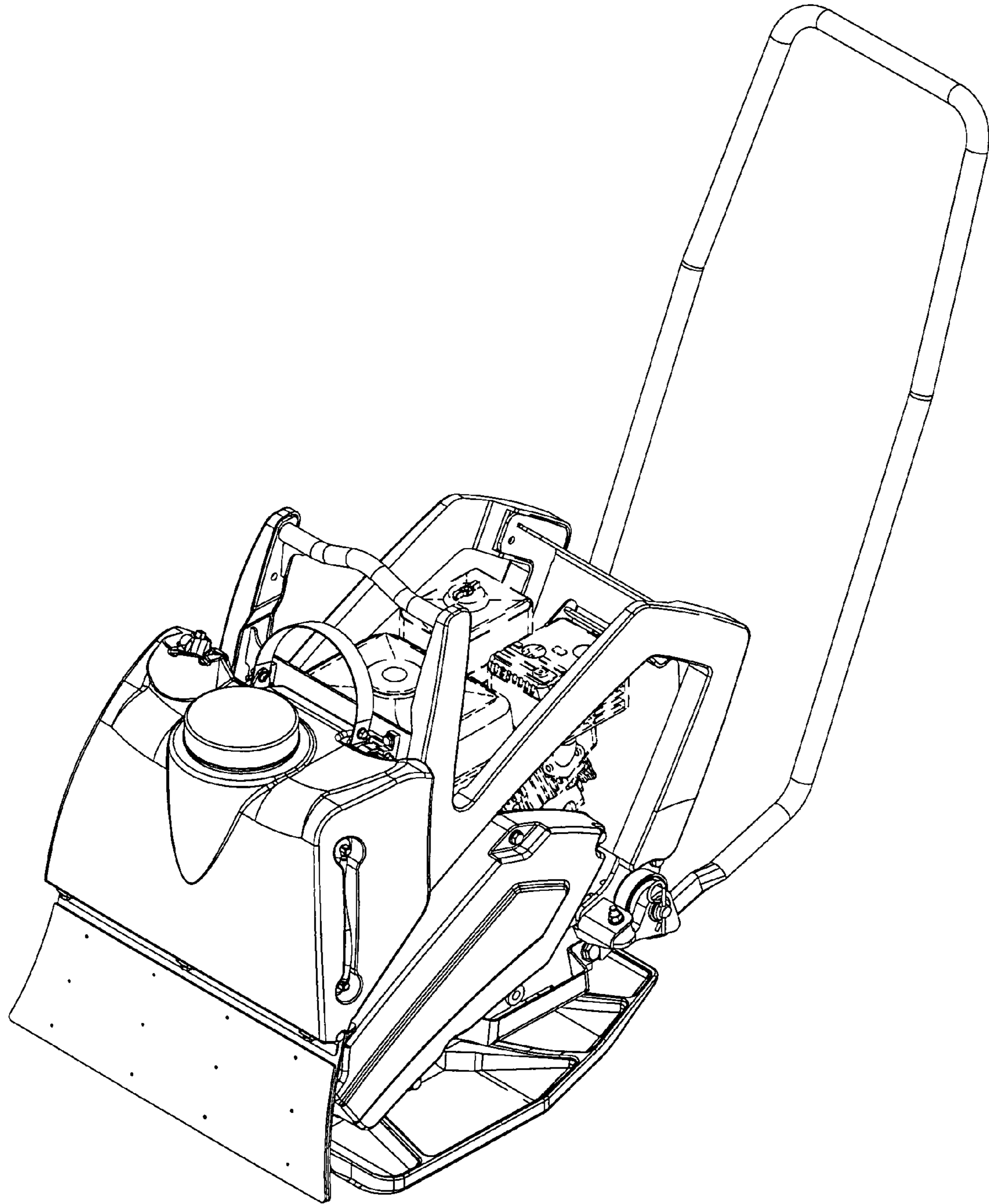


FIG. 1

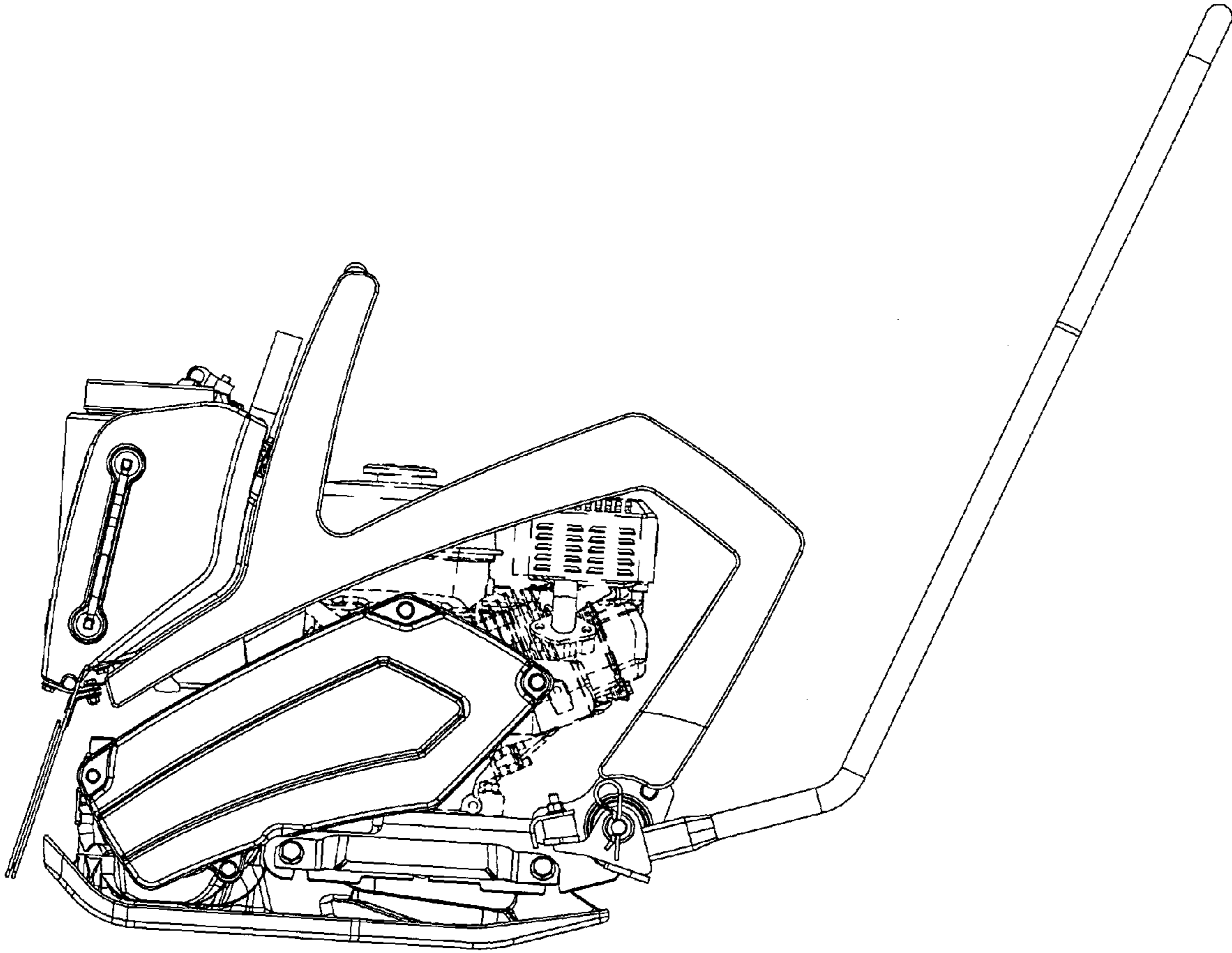


FIG. 2

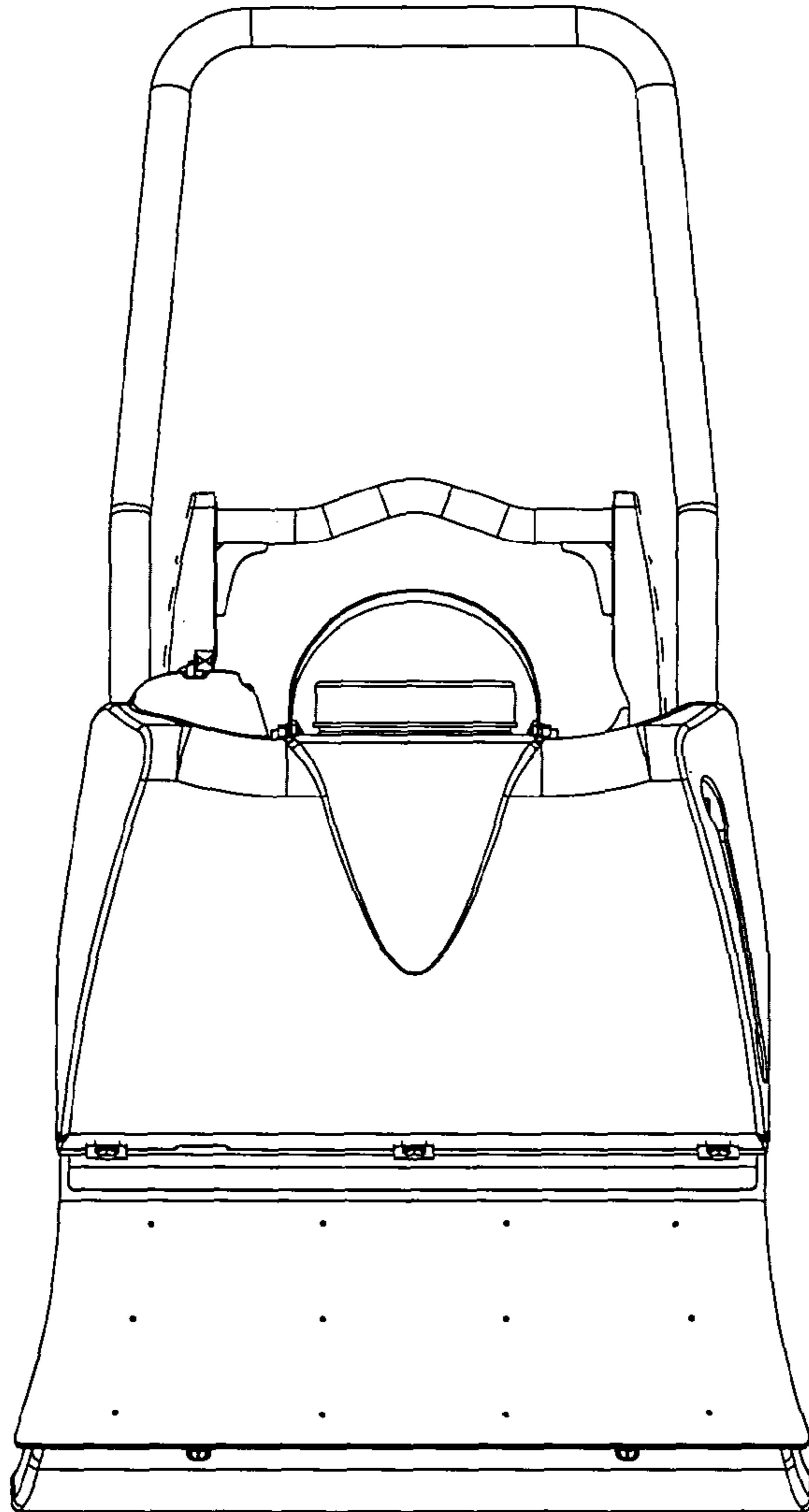


FIG. 3

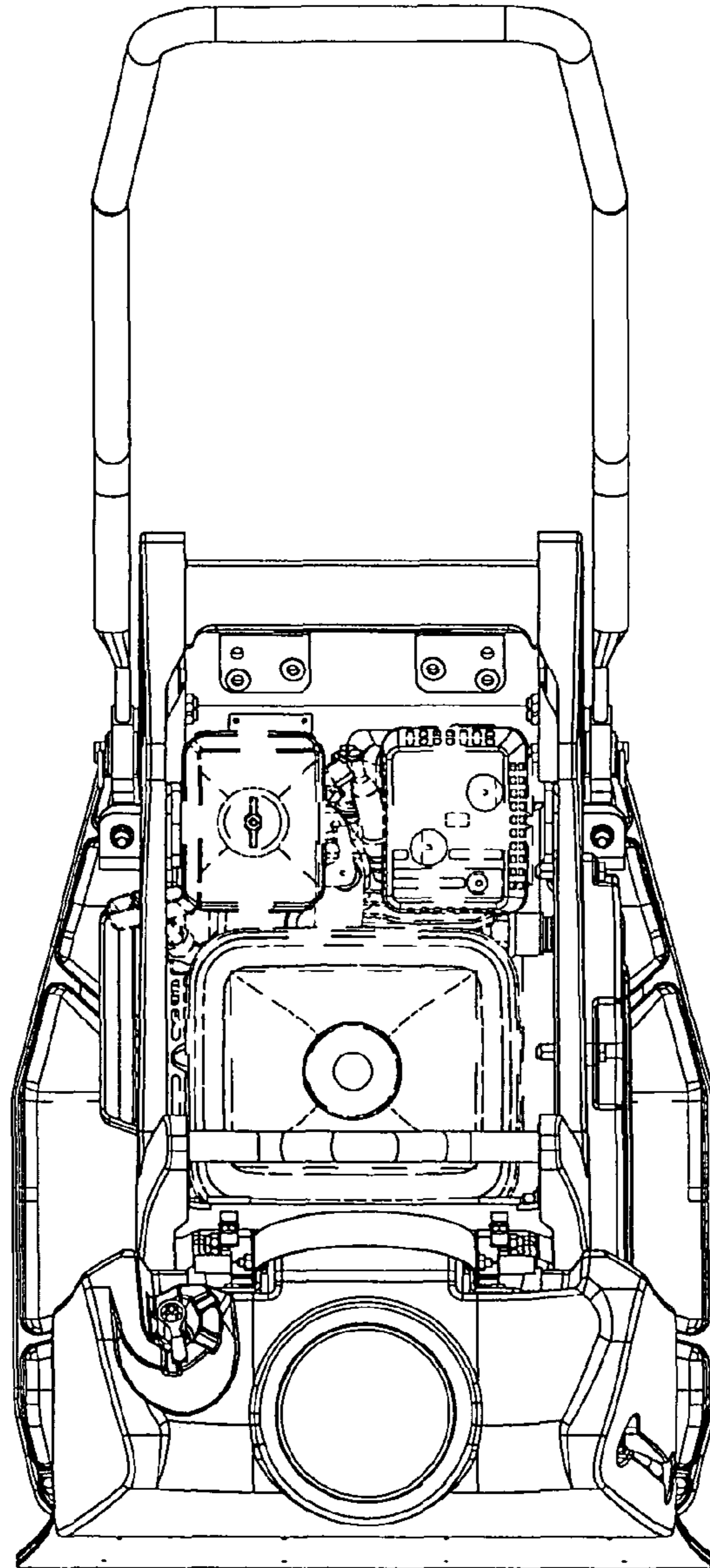


FIG. 4

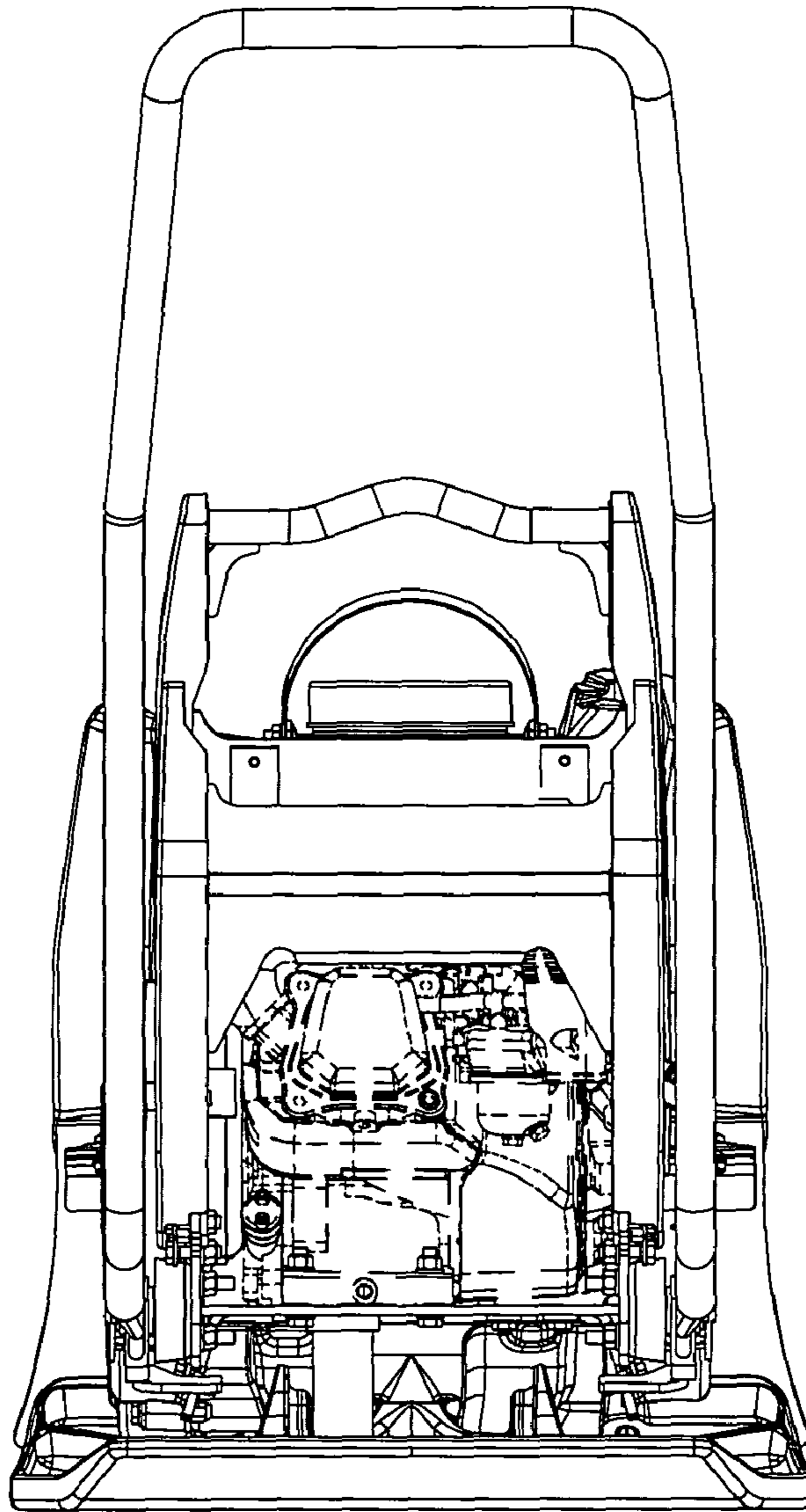


FIG. 5

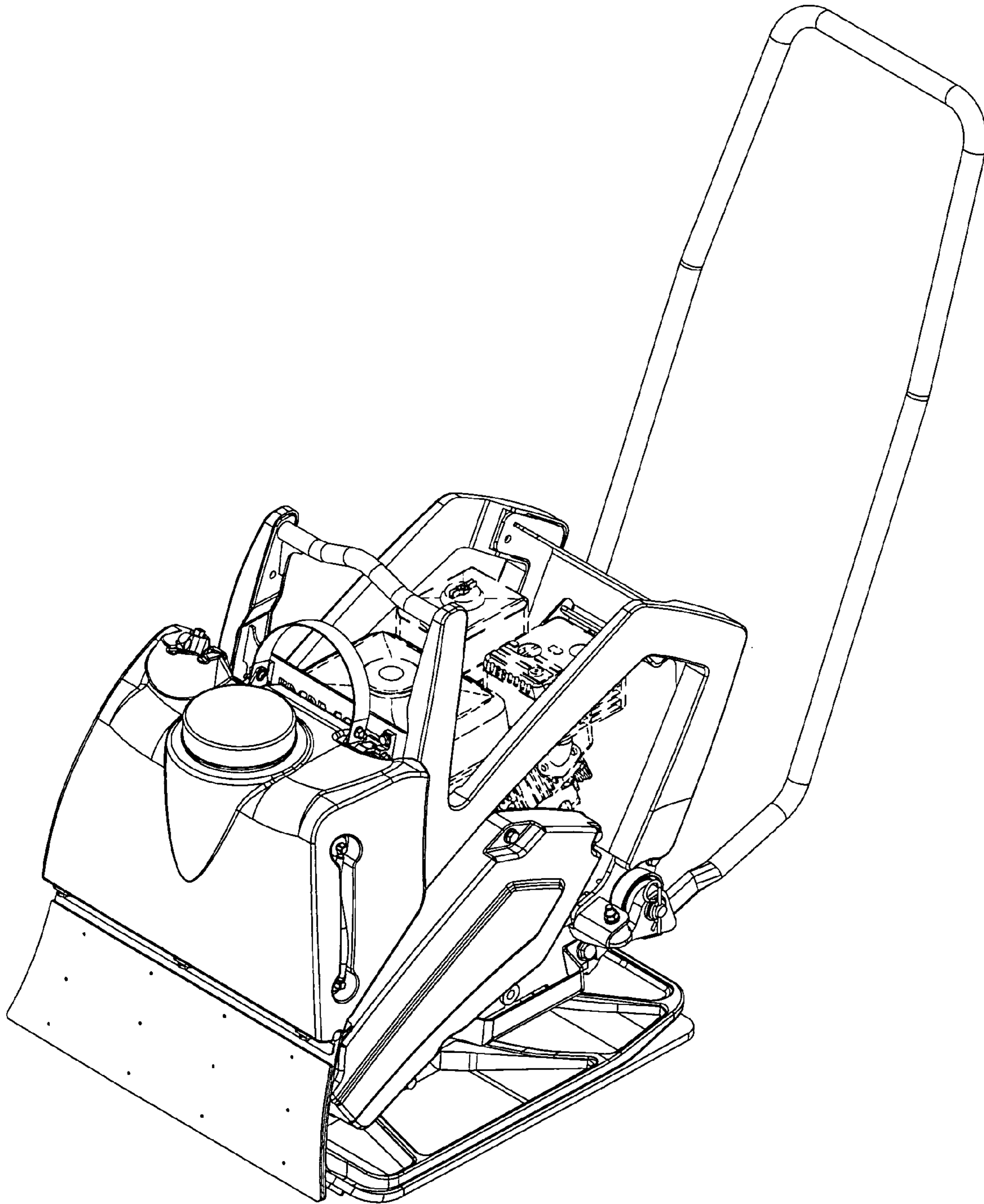


FIG. 6

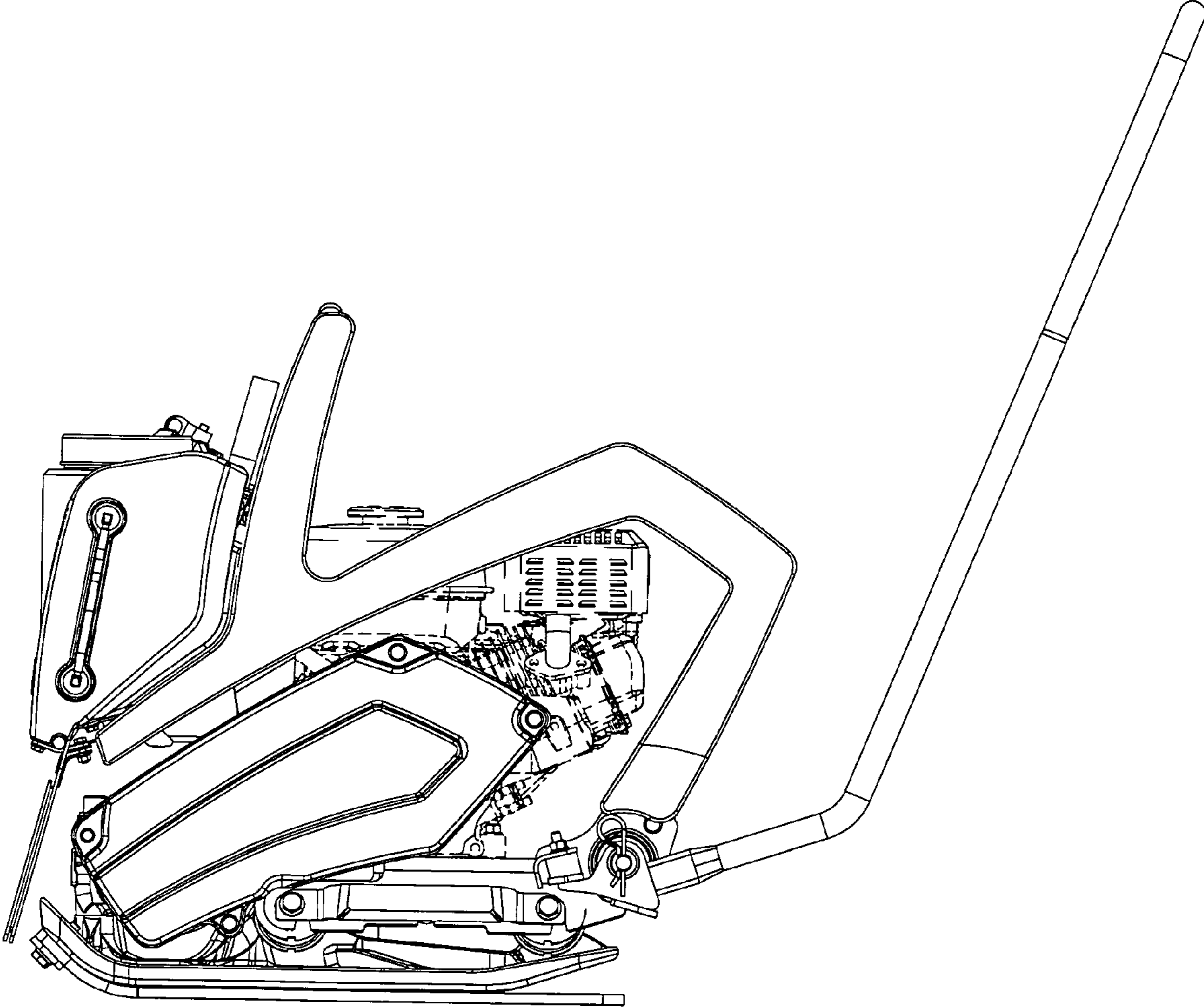


FIG. 7



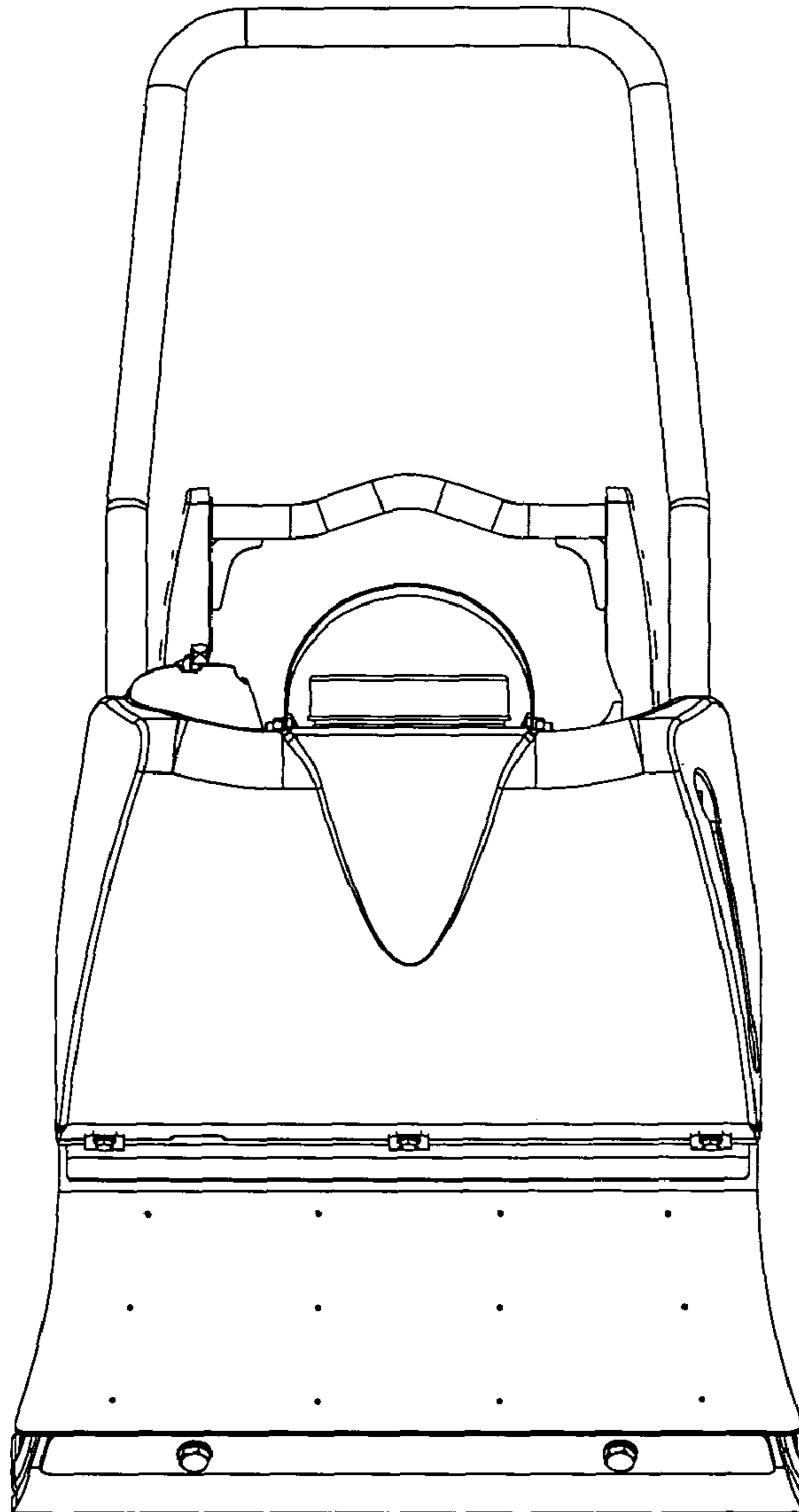


FIG. 8

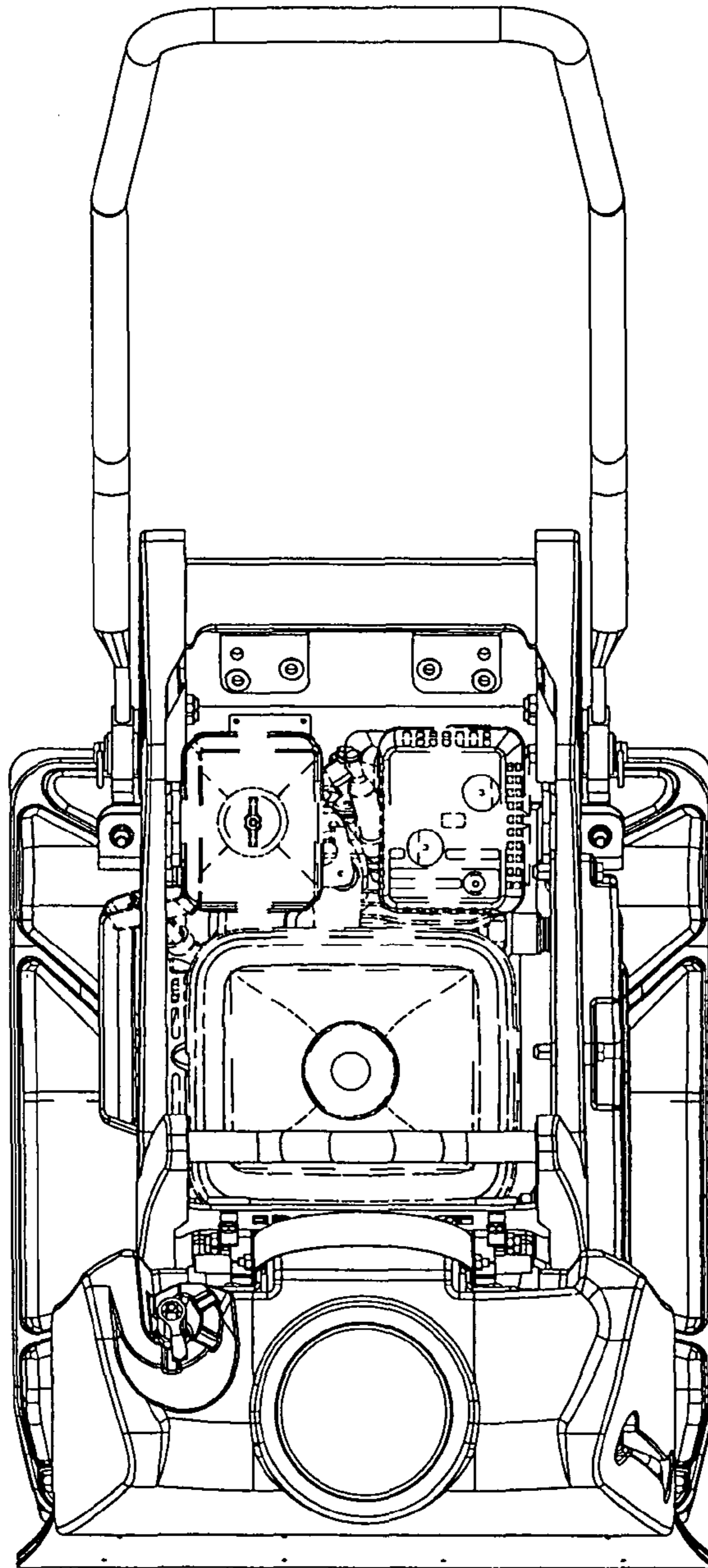


FIG. 9

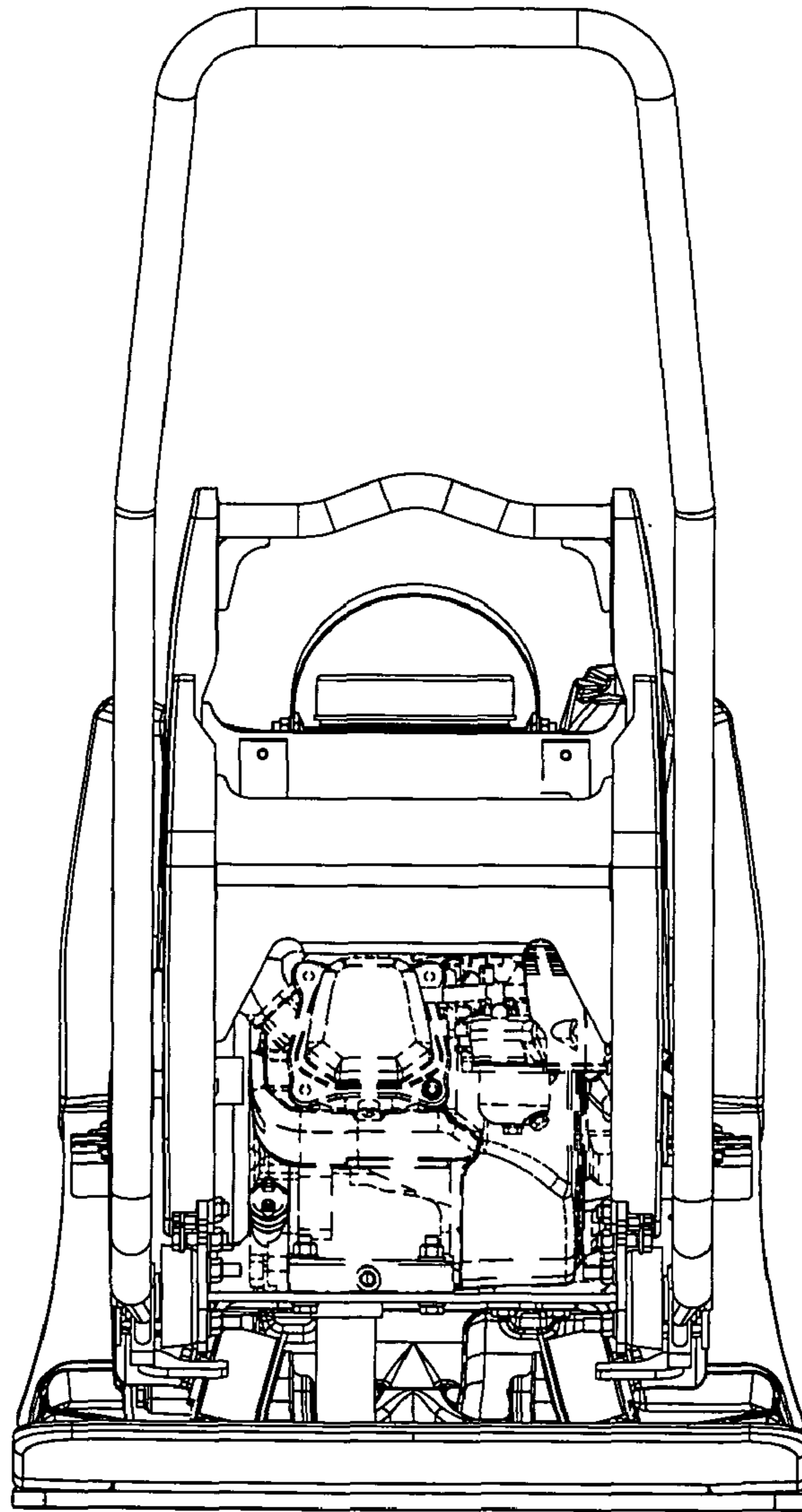


FIG. 10