



US00D615995S

(12) **United States Design Patent**  
**Drysdale**

(10) **Patent No.:** **US D615,995 S**

(45) **Date of Patent:** **\*\* May 18, 2010**

(54) **AUTO CLUTCH ENGINE**

D294,264 S \* 2/1988 Davidson et al. .... D15/3

(75) Inventor: **Ian William Drysdale**, Springvale (AU)

\* cited by examiner

(73) Assignee: **PTS Motors Limited**, Kowloon, Hong Kong (CN)

*Primary Examiner*—Lisa P Lichtenstein

(74) *Attorney, Agent, or Firm*—Alix, Yale & Ristas, LLP

(\*\*) Term: **14 Years**

(57) **CLAIM**

(21) Appl. No.: **29/310,494**

The ornamental design for an auto clutch engine, as shown and described.

(22) Filed: **Aug. 22, 2008**

**DESCRIPTION**

(51) **LOC (9) Cl.** ..... **15-01**

FIG. 1 is a front view of an auto clutch engine showing my new design;

(52) **U.S. Cl.** ..... **D15/3**

FIG. 2 is a rear view thereof;

(58) **Field of Classification Search** ..... D15/1, D15/3, 5; D12/110, 114; 123/50 A, 50 B  
See application file for complete search history.

FIG. 3 is a right side view thereof;

FIG. 4 is a left side view thereof;

FIG. 5 is a top plan view thereof; and,

FIG. 6 is a bottom plan view thereof.

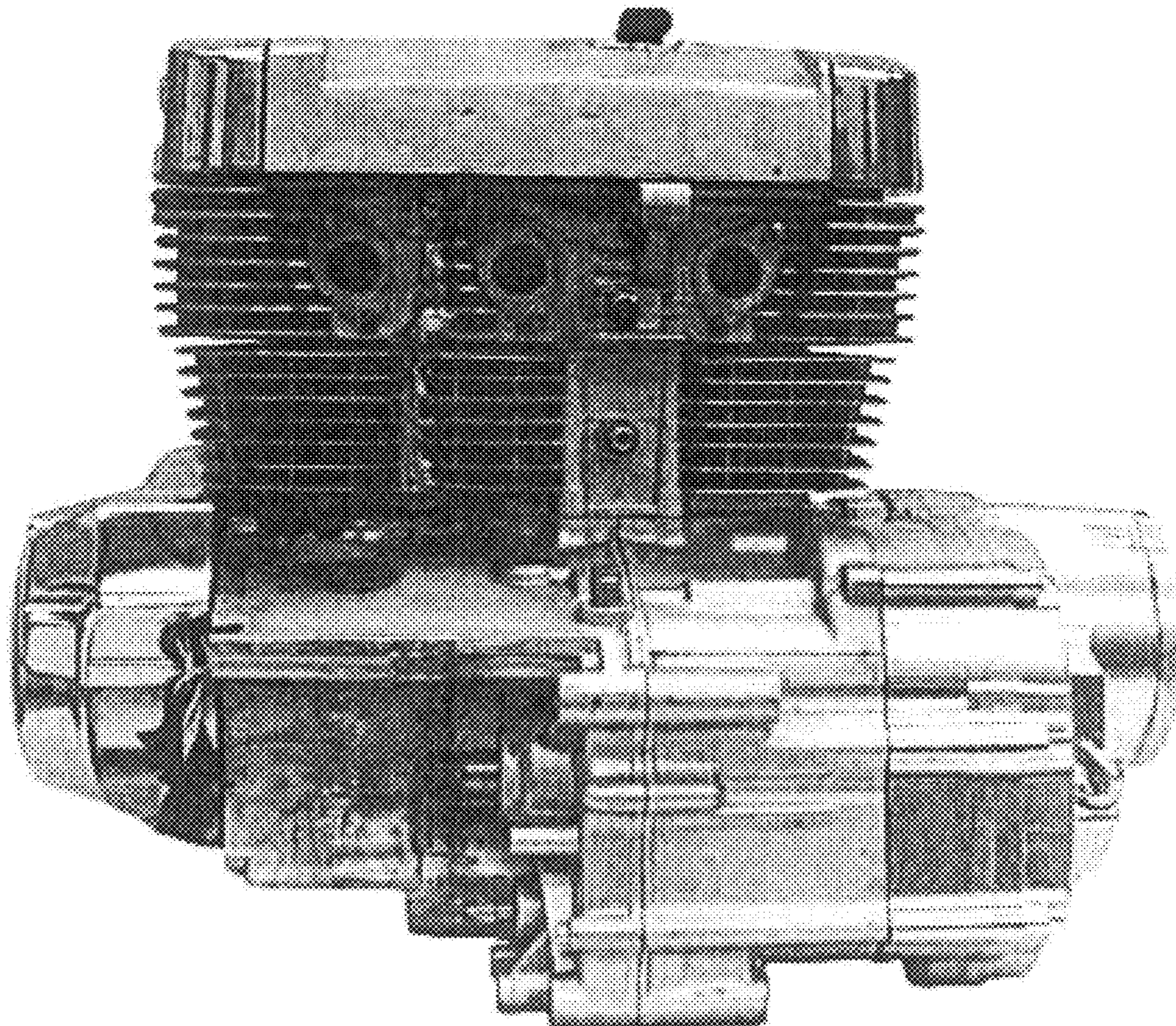
(56) **References Cited**

**U.S. PATENT DOCUMENTS**

D214,539 S \* 6/1969 Fullerton ..... D15/1

D280,200 S \* 8/1985 Iwakura et al. .... D15/1

**1 Claim, 6 Drawing Sheets**



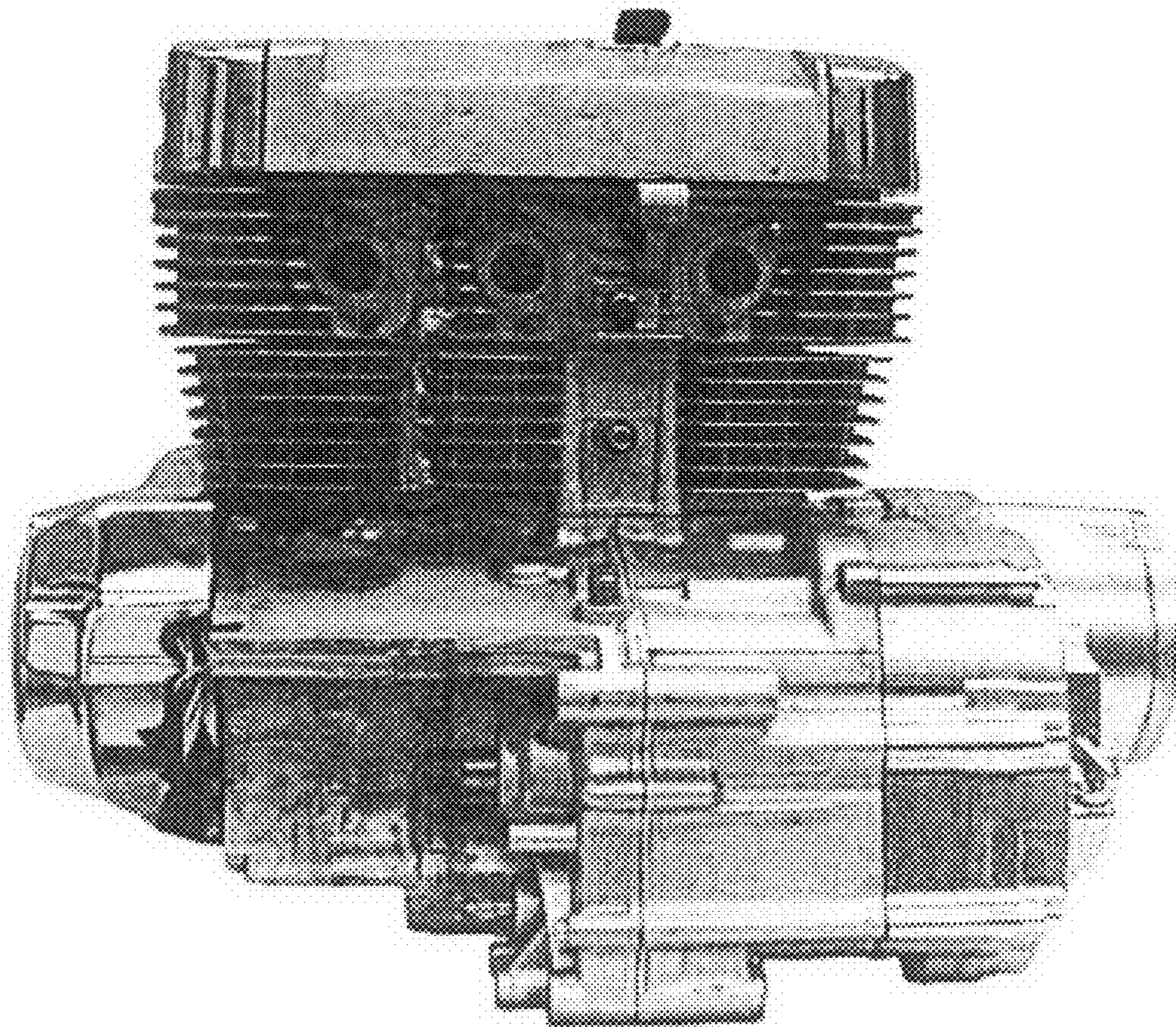


Fig. 1

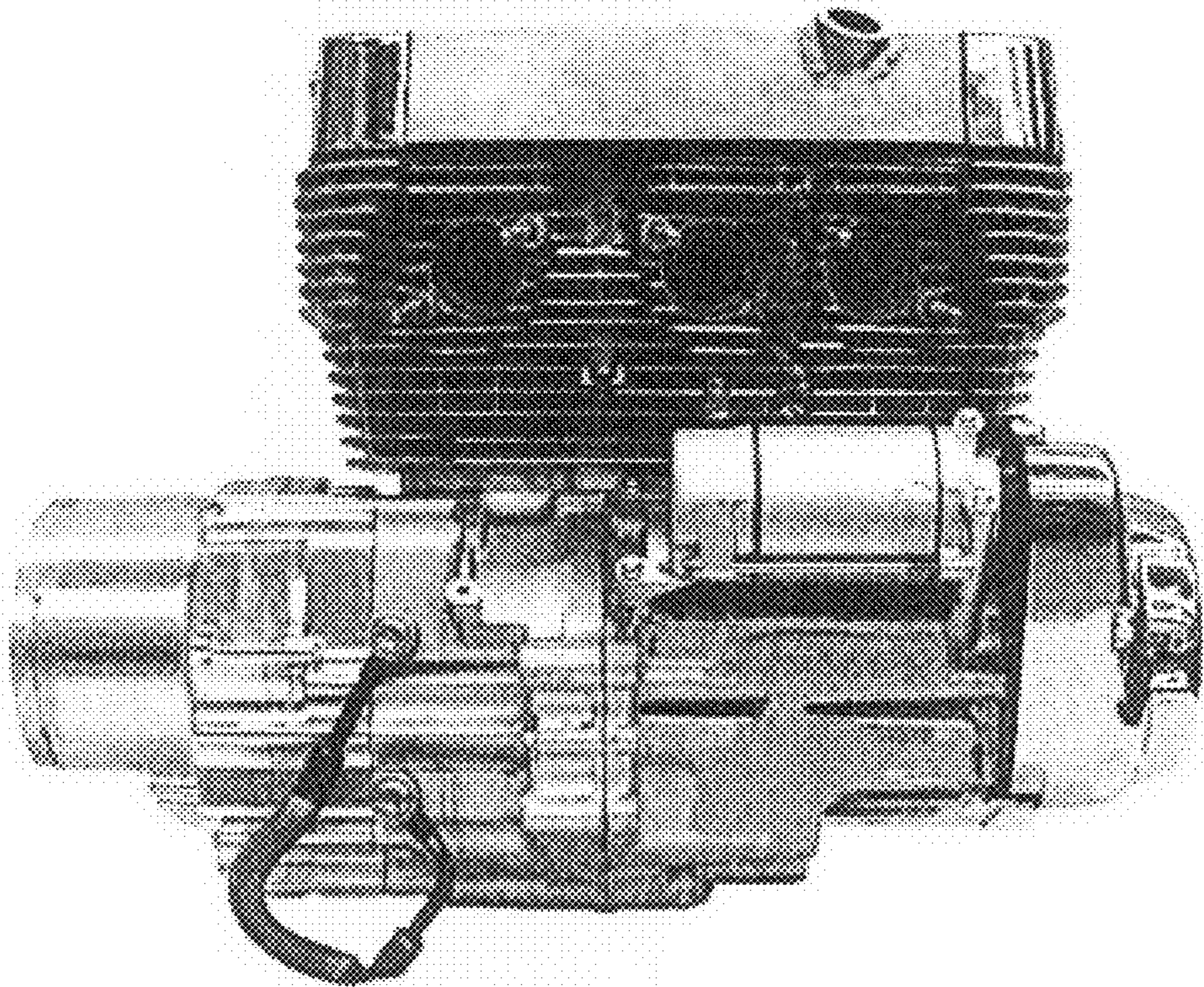


Fig. 2

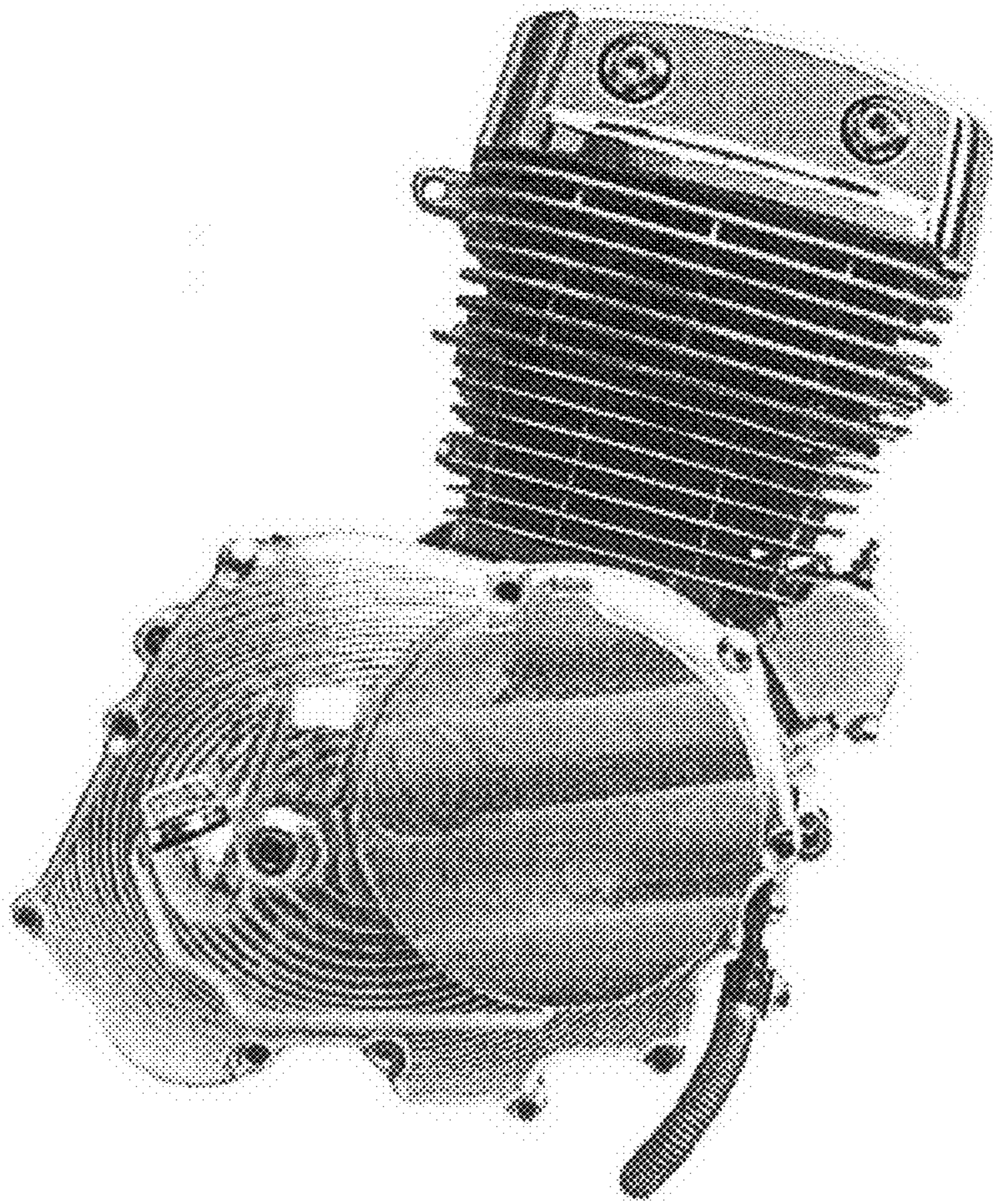


Fig. 3

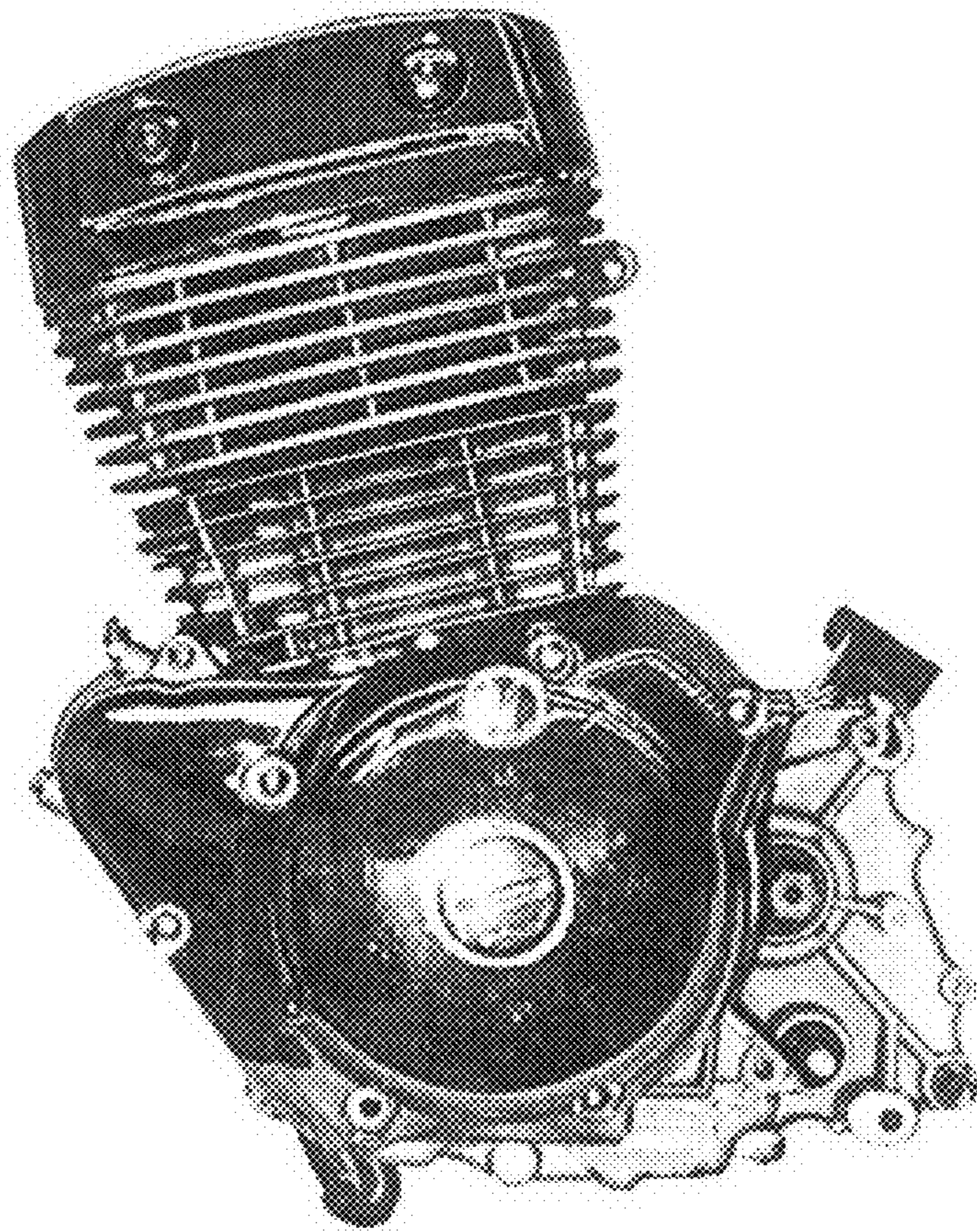


Fig. 4

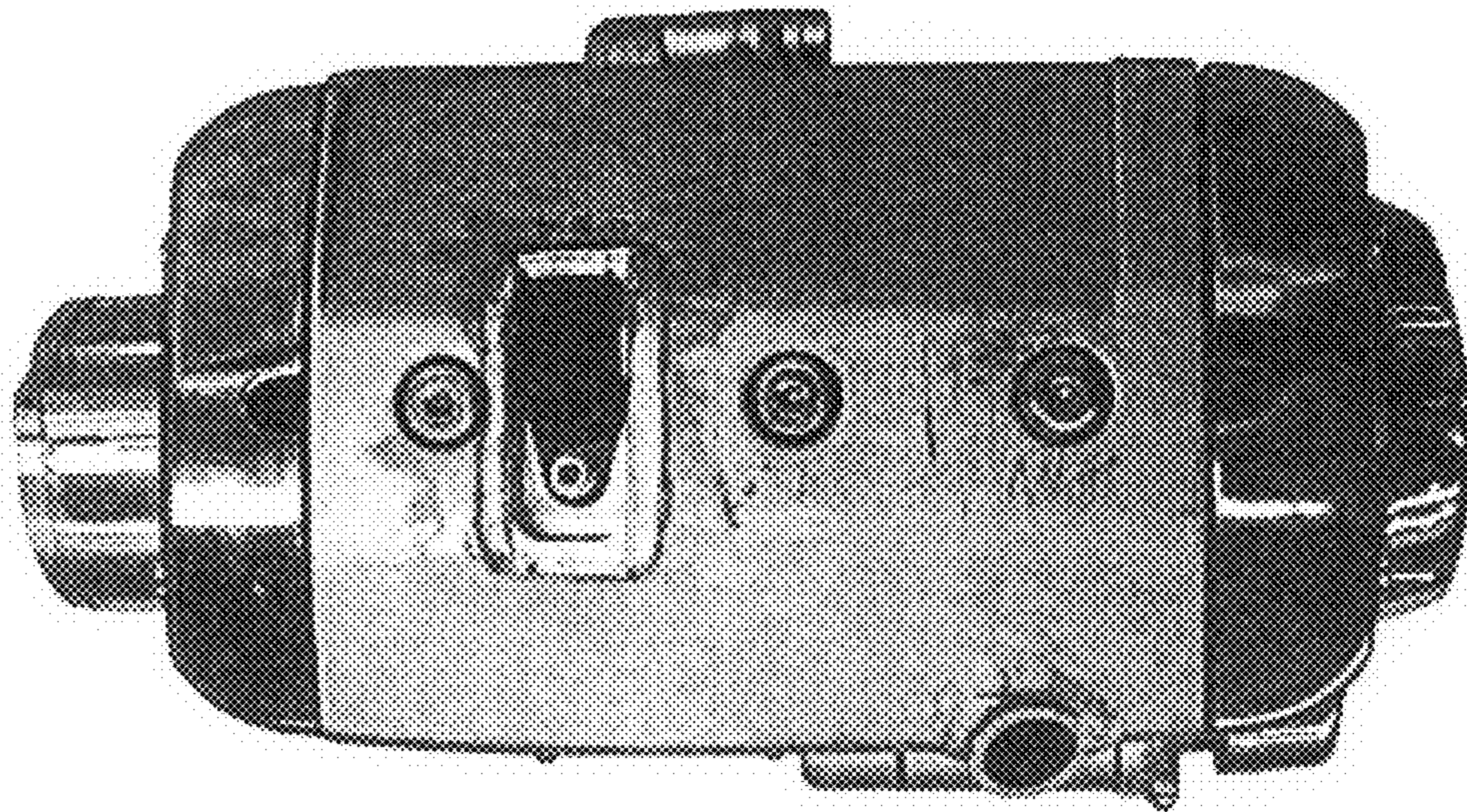


Fig. 5

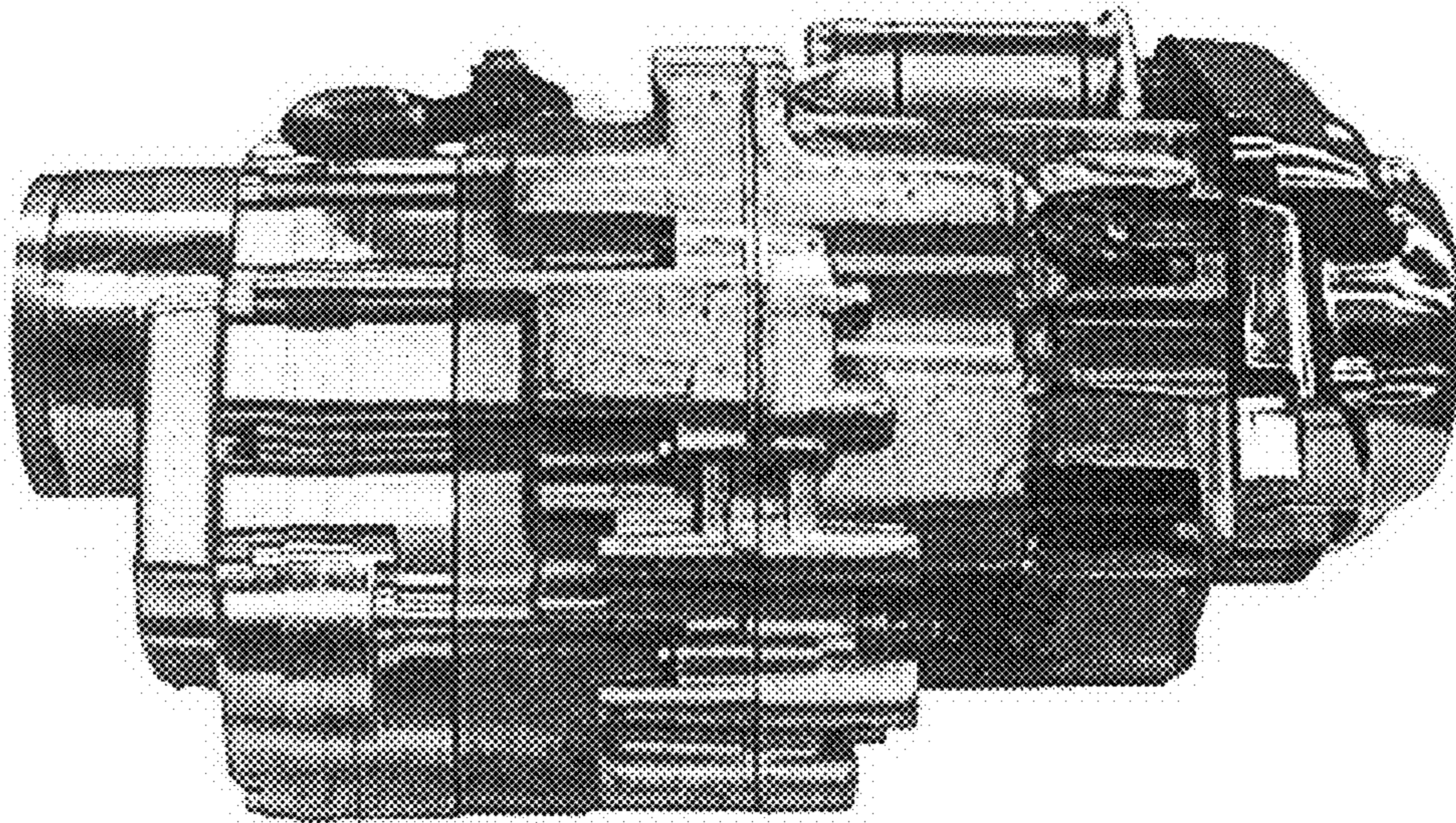


Fig. 6