



US00D615993S

(12) **United States Design Patent**  
**Ho**

(10) **Patent No.:** **US D615,993 S**

(45) **Date of Patent:** **\*\* May 18, 2010**

(54) **MP3 PLAYER**

(75) **Inventor:** **Yat Fung Chris Ho, Kowloon (HK)**

(73) **Assignee:** **First Audio Manufacturing (Hong Kong) Limited, Hong Kong (HK)**

(\*\*) **Term:** **14 Years**

(21) **Appl. No.:** **29/334,375**

(22) **Filed:** **Mar. 25, 2009**

(51) **LOC (9) Cl.** ..... **14-03**

(52) **U.S. Cl.** ..... **D14/496; D14/203.1**

(58) **Field of Classification Search** ..... D14/496,  
D14/401, 435, 474, 483, 217, 137, 138, 160,  
D14/168, 356, 203.1-203.8, 507; 345/156,  
345/169, 173-179, 905; 715/727-729, 864;  
710/1, 5, 8; 713/1, 600; 455/1.1, 1.7, 73,  
455/344-347, 93, 95, 3.01-3.06, 550.1, 573.1;  
370/342-344; 369/1, 2, 6-12; 463/43-47;  
273/148 B

See application file for complete search history.

(56) **References Cited**

**U.S. PATENT DOCUMENTS**

6,254,477	B1 *	7/2001	Sasaki et al.	.....	463/1
D454,552	S *	3/2002	Nakane	.....	D14/168
D454,855	S *	3/2002	Nakane	.....	D14/168
6,591,085	B1 *	7/2003	Grady	.....	455/42
D496,922	S *	10/2004	Kimura	.....	D14/500

D512,409	S *	12/2005	Ishizaki	.....	D14/168
D518,022	S *	3/2006	Ishizaki	.....	D14/168
D562,846	S *	2/2008	Poandl	.....	D14/496
D563,392	S *	3/2008	Corsini et al.	.....	D14/217
D571,822	S *	6/2008	Madonna et al.	.....	D14/496
D583,798	S *	12/2008	Iijima et al.	.....	D14/168
2007/0022378	A1 *	1/2007	Hamada	.....	715/716

\* cited by examiner

*Primary Examiner*—Prabhakar Deshmukh

(74) *Attorney, Agent, or Firm*—Akerman Senterfitt

(57) **CLAIM**

The ornamental design of a MP3 player, as shown and described.

**DESCRIPTION**

FIG. 1 is a front view of a MP3 player showing my new design;

FIG. 2 is a rear view thereof;

FIG. 3 is a left side view thereof;

FIG. 4 is a right side view thereof;

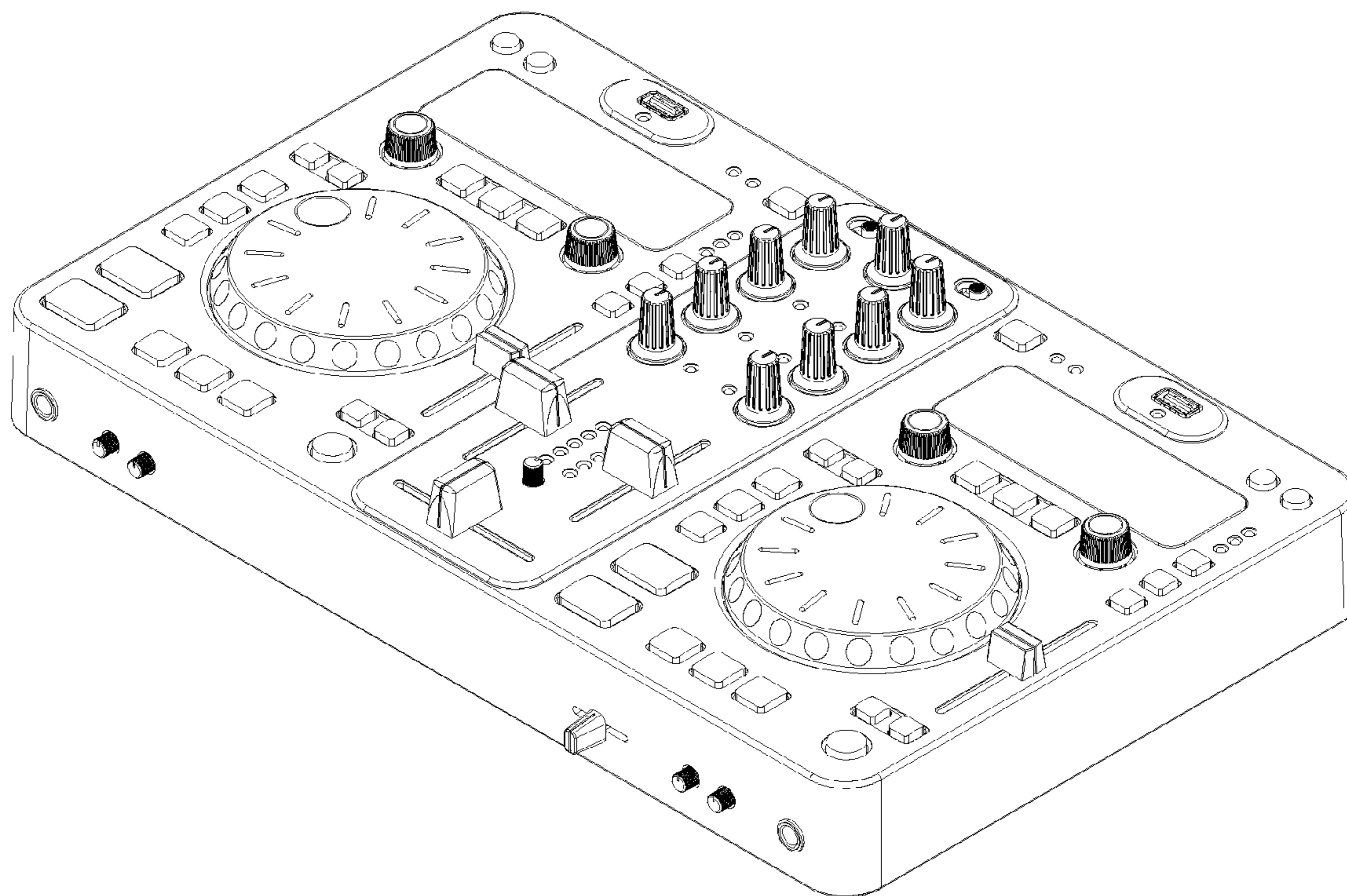
FIG. 5 is a top view thereof;

FIG. 6 is a bottom view thereof; and,

FIG. 7 is a front perspective view thereof.

The broken lines are for environmental purposes only and form no part of the claimed design.

**1 Claim, 7 Drawing Sheets**



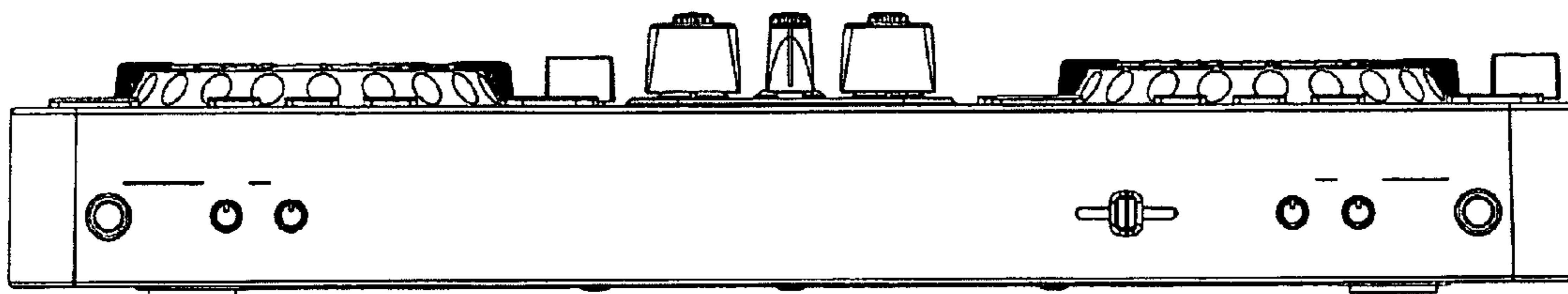


FIG. 1

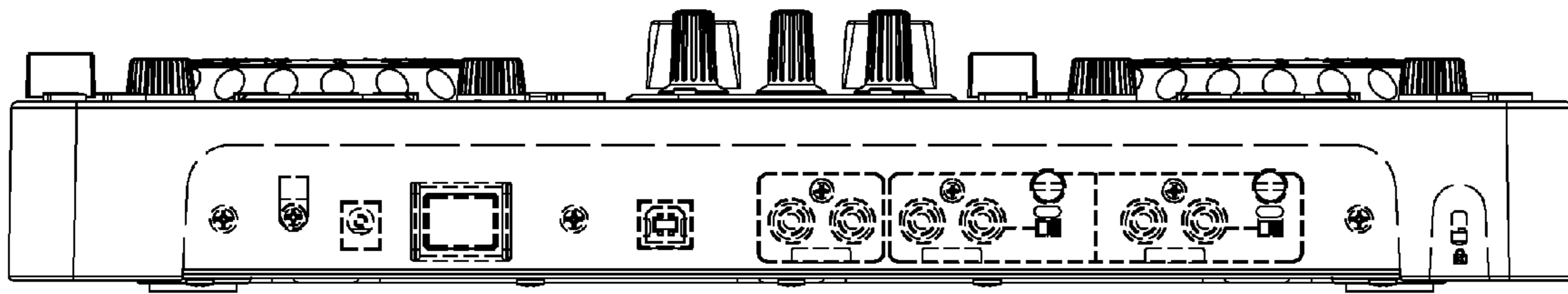


FIG. 2

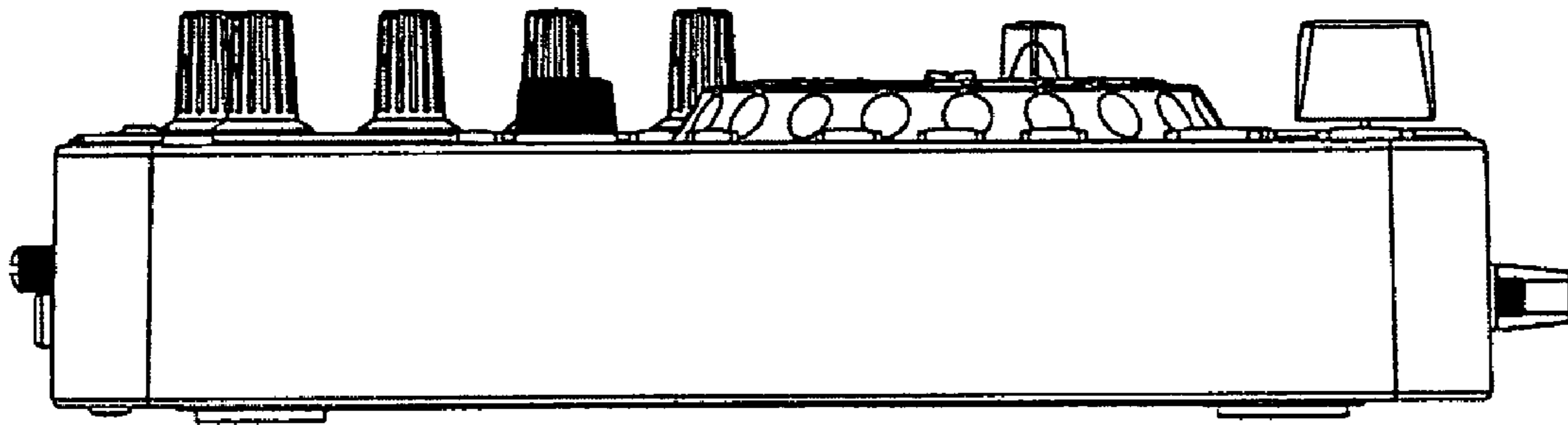


FIG. 3

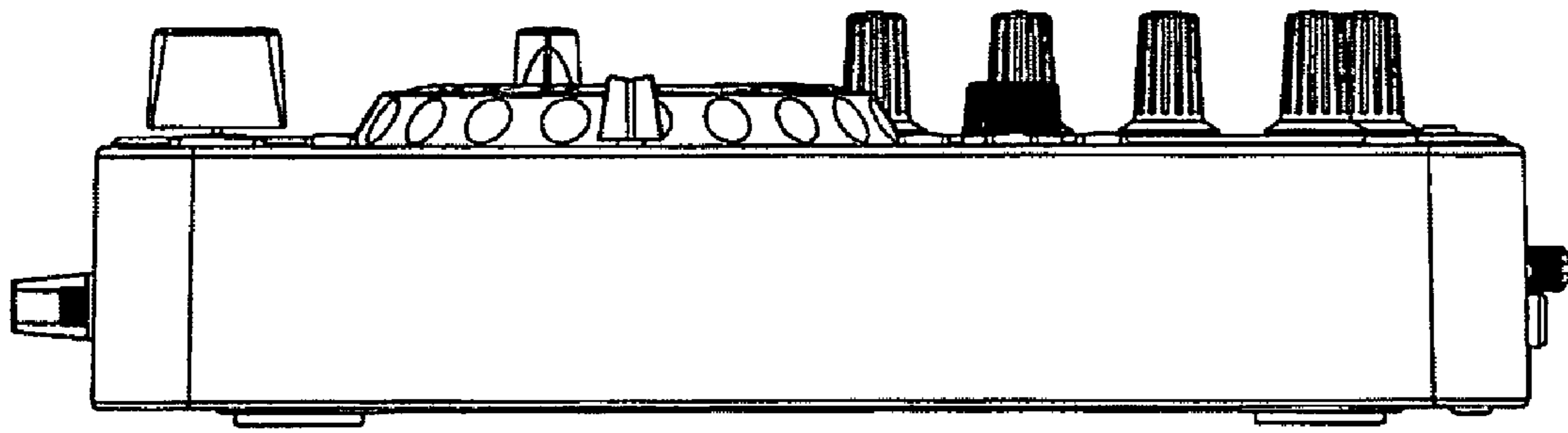


FIG. 4

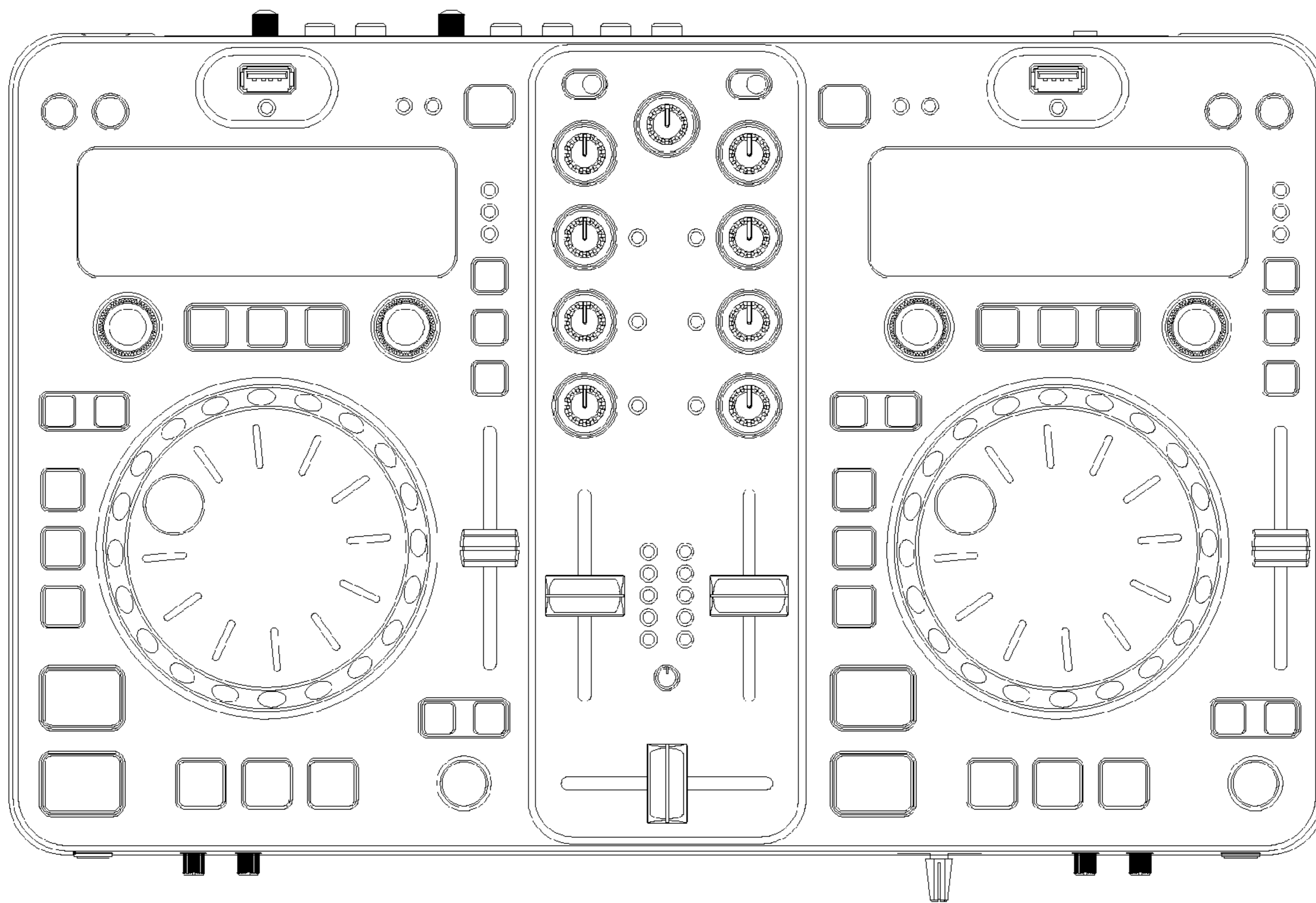


FIG. 5



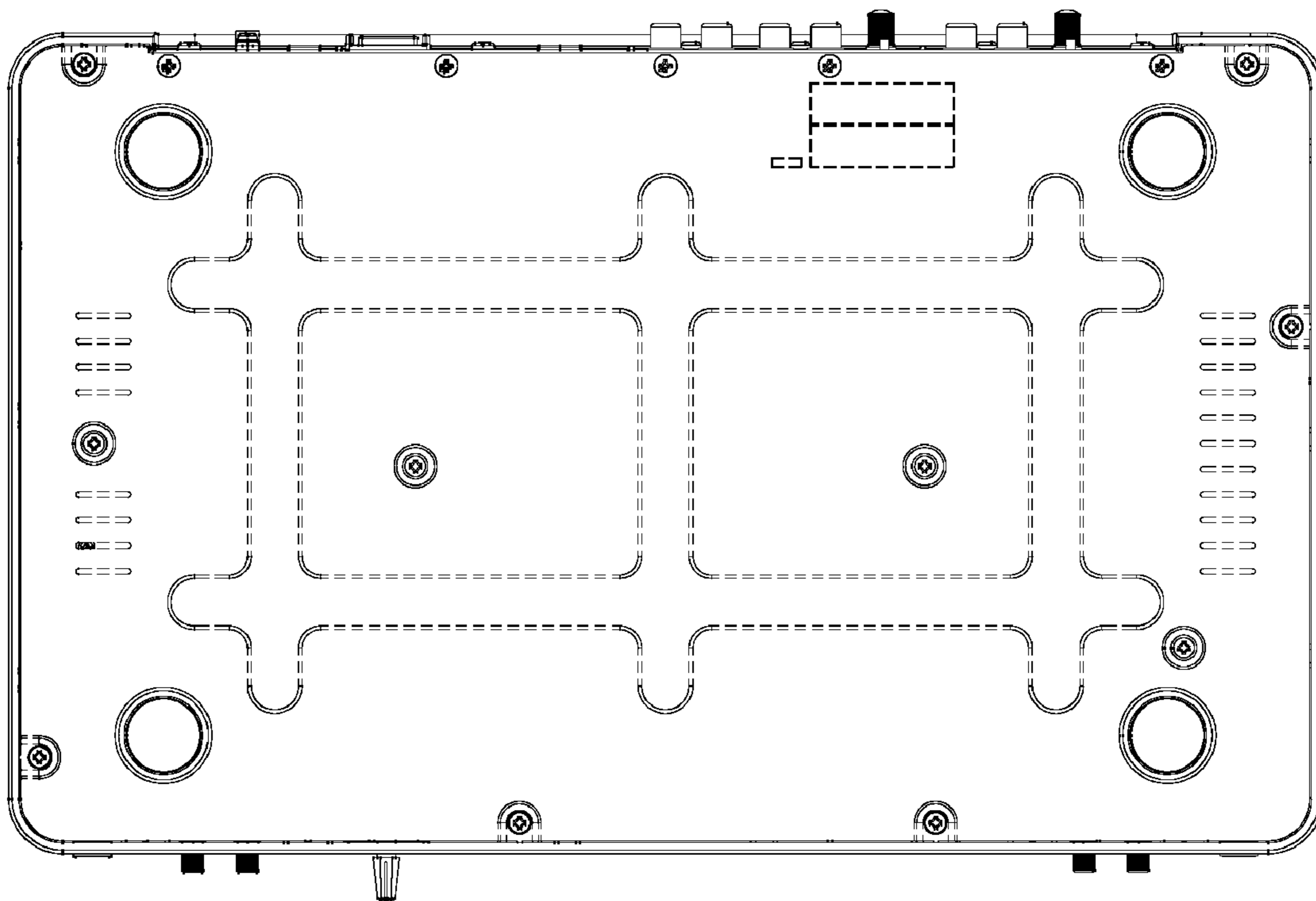


FIG. 6

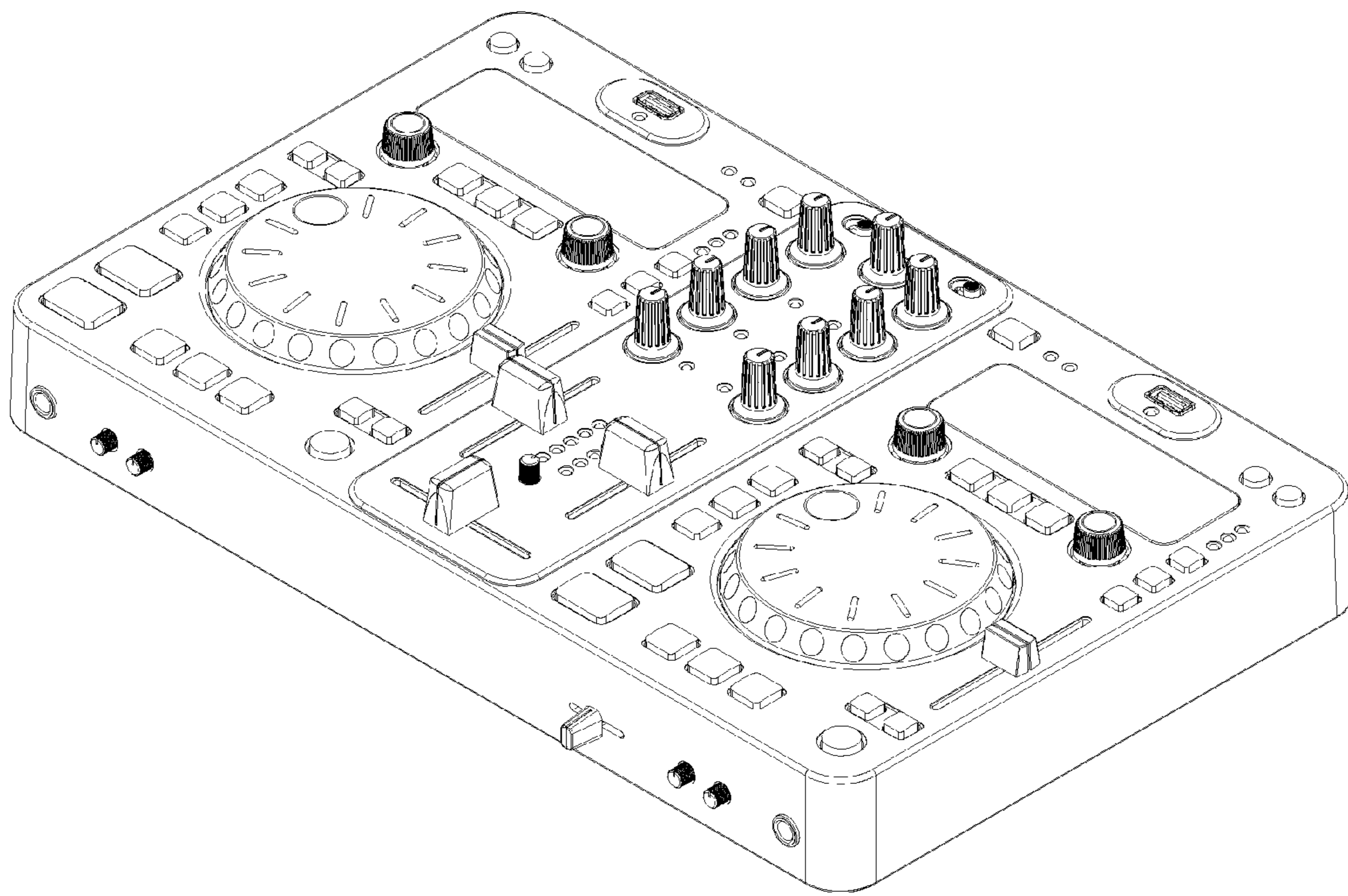


FIG. 7