



US00D615975S

(12) **United States Design Patent**  
**Lin**

(10) **Patent No.:** **US D615,975 S**

(45) **Date of Patent:** **\*\* May 18, 2010**

(54) **EXTERNAL ENCLOSURE**

(75) Inventor: **San-Hai Lin**, Taipei County (TW)

(73) Assignee: **A-Tec Subsystem Inc.**, Taipei County (TW)

(\*\*) Term: **14 Years**

(21) Appl. No.: **29/320,969**

(22) Filed: **Jul. 8, 2008**

(51) **LOC (9) Cl.** ..... **14-02**

(52) **U.S. Cl.** ..... **D14/356**

(58) **Field of Classification Search** ..... D14/137,  
D14/167–168, 230–231, 233, 235, 237, 240–242,  
D14/299, 432, 435–436, 155, 496, 300–301,  
D14/313–314, 214, 348–349, 351–363, 365–370;  
D18/56; D10/65, 75, 78; D13/149, 162,  
D13/184, 199; D3/201, 273; 312/223.1,  
312/223.2; 369/34.01, 36.01, 272.1; 360/132,  
360/133, 135; 361/685–686; 379/93.01;  
720/613; 711/15, 100, 115

See application file for complete search history.

(56) **References Cited**

**U.S. PATENT DOCUMENTS**

D417,453 S *	12/1999	Du	.....	D14/242
D430,563 S *	9/2000	Chen	.....	D14/301
D434,411 S *	11/2000	Chen	.....	D14/301
D438,202 S *	2/2001	Hui	.....	D14/348
D455,747 S *	4/2002	Lin	.....	D14/356
D458,253 S *	6/2002	Wei	.....	D14/349
D459,348 S *	6/2002	Wei et al.	.....	D14/349
D459,349 S *	6/2002	Wei et al.	.....	D14/349
D478,069 S *	8/2003	Beck et al.	.....	D14/240
D482,678 S *	11/2003	Chung	.....	D14/240
D494,574 S *	8/2004	Schmidt et al.	.....	D14/240
D518,481 S *	4/2006	Chen et al.	.....	D14/349

D532,414 S *	11/2006	Storti et al.	.....	D14/240
D535,650 S *	1/2007	Wong et al.	.....	D14/240
D538,795 S *	3/2007	Wong et al.	.....	D14/240
D541,273 S *	4/2007	Wang	.....	D14/356
D549,223 S *	8/2007	McKimm et al.	.....	D14/240
D568,314 S *	5/2008	Wang	.....	D14/356

**OTHER PUBLICATIONS**

DataStor Technology Co. Ltd @ Global Sources Online—Supplier Homepage, [online], [retrieved on Nov. 14, 2006]. Retrieved from the Internet <URL: [http://datastor.manufacturer.globalsources.com/si/6008800307...Compact-Case-for/product\\_id-1002430329/action-GetProduct.htm](http://datastor.manufacturer.globalsources.com/si/6008800307...Compact-Case-for/product_id-1002430329/action-GetProduct.htm)>.\*

\* cited by examiner

*Primary Examiner*—Cathron C Brooks

*Assistant Examiner*—Karen E Kearney

(74) *Attorney, Agent, or Firm*—WPAT, P.C.; Anthony King

(57) **CLAIM**

The ornamental design for an “external enclosure,” as shown and described.

**DESCRIPTION**

FIG. 1 is a perspective view of external enclosure showing my new design;

FIG. 2 is a front elevation thereof;

FIG. 3 is a rear elevation thereof;

FIG. 4 is a left side elevation thereof;

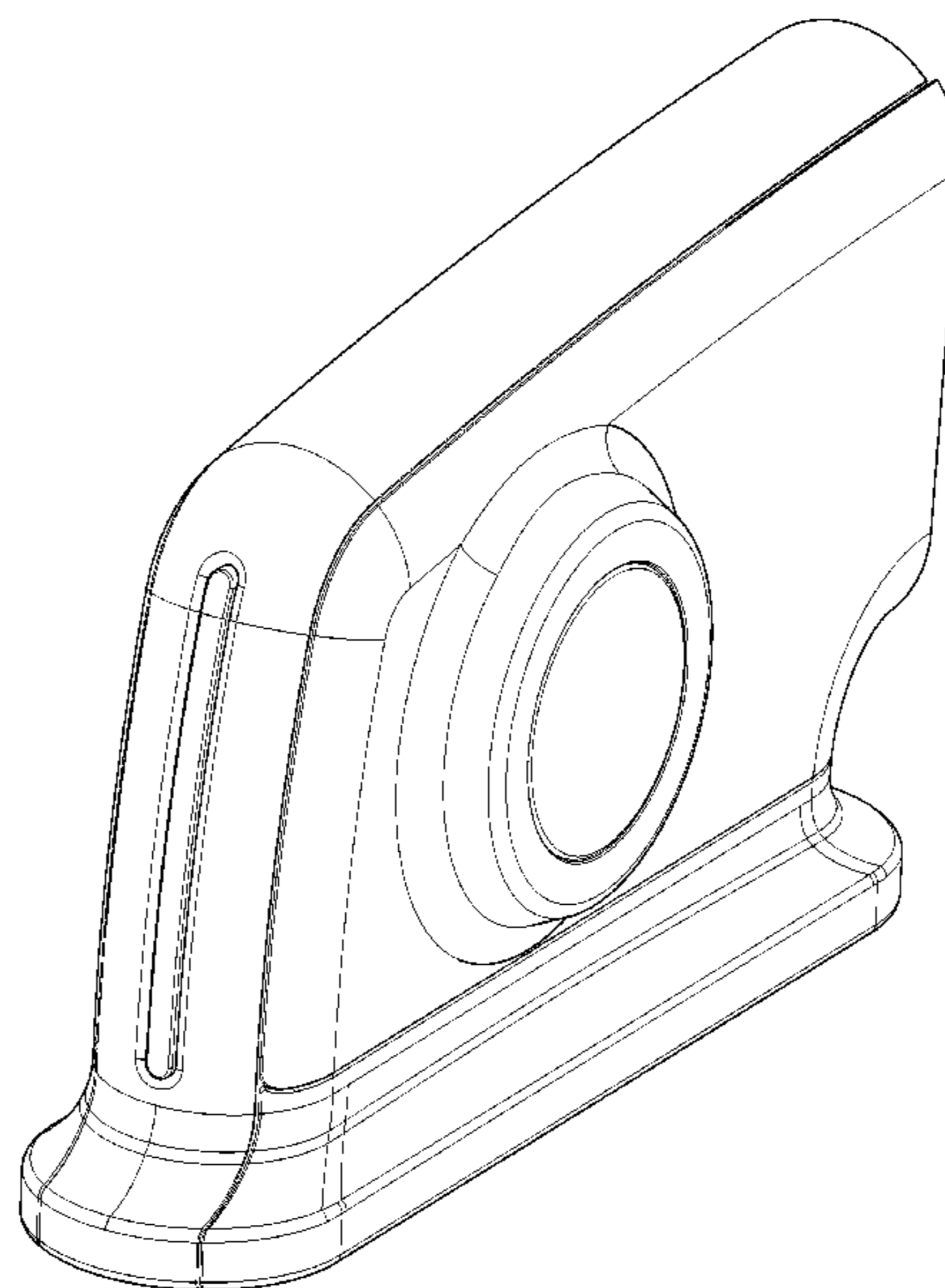
FIG. 5 is a right side elevation thereof;

FIG. 6 is a top plan view thereof; and,

FIG. 7 is a bottom view thereof.

The broken line showing of various portions in FIGS. 3 and 7 are included for the purpose of illustrating unclaimed portions and form no part of the claimed design.

**1 Claim, 7 Drawing Sheets**



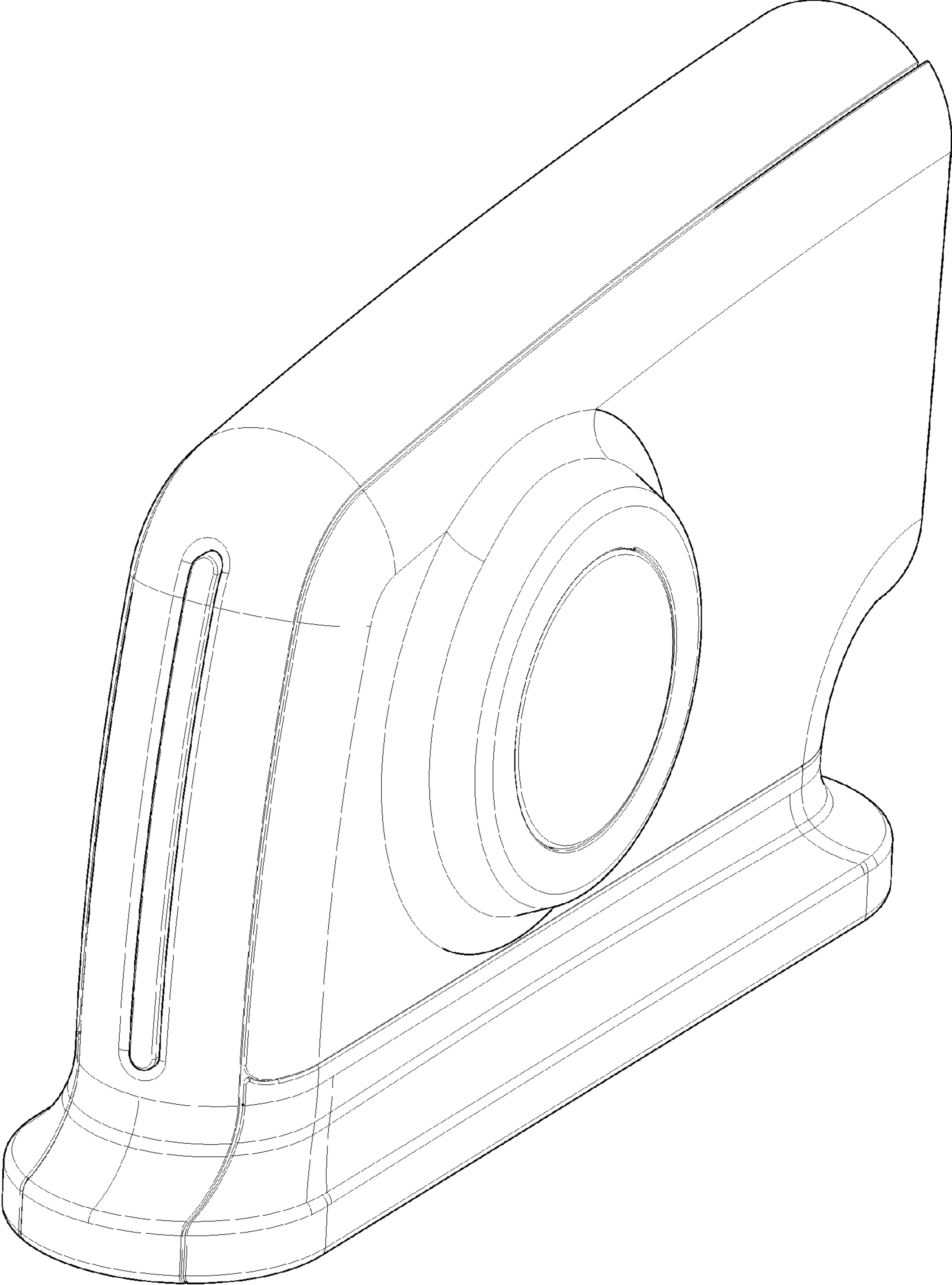


Fig. 1

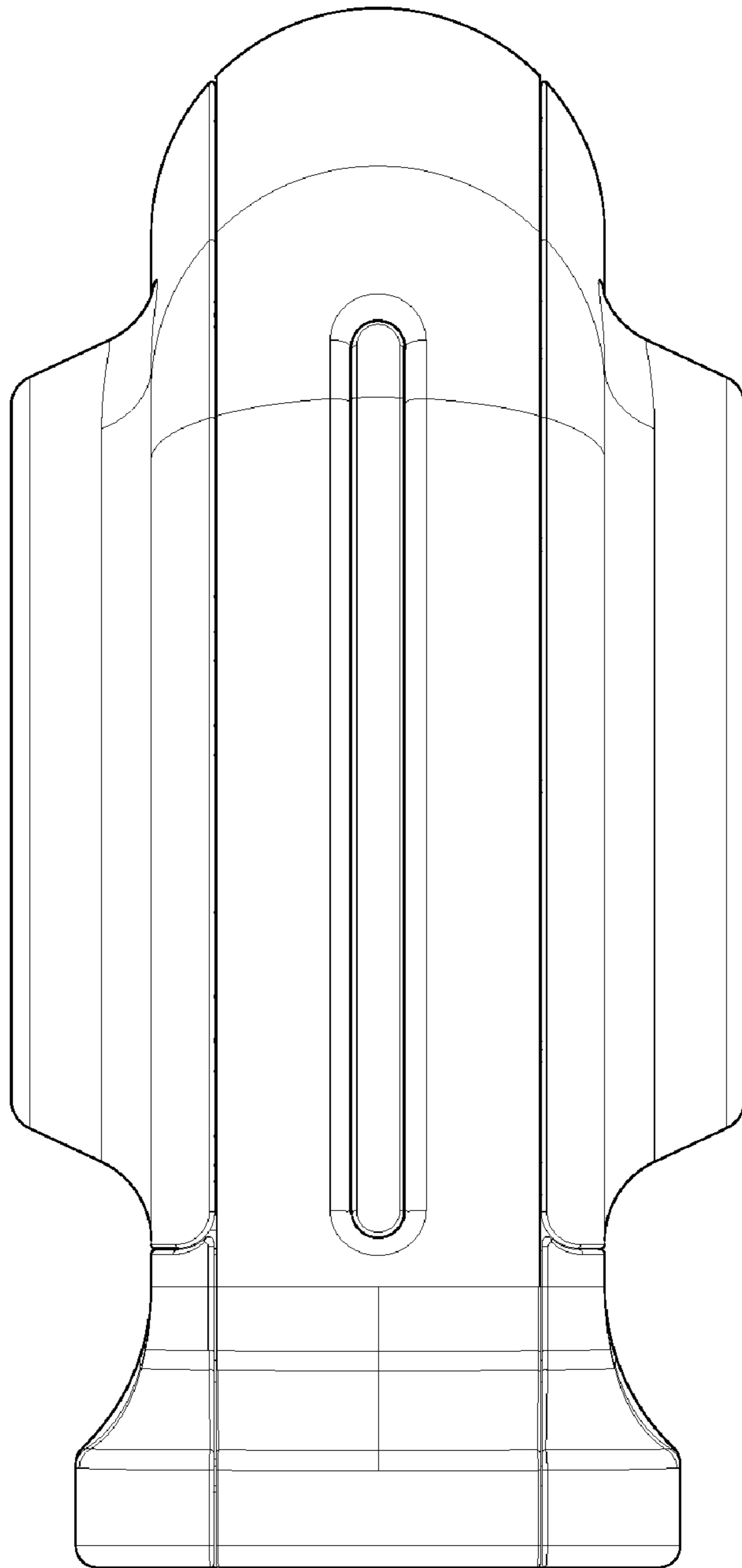


Fig. 2

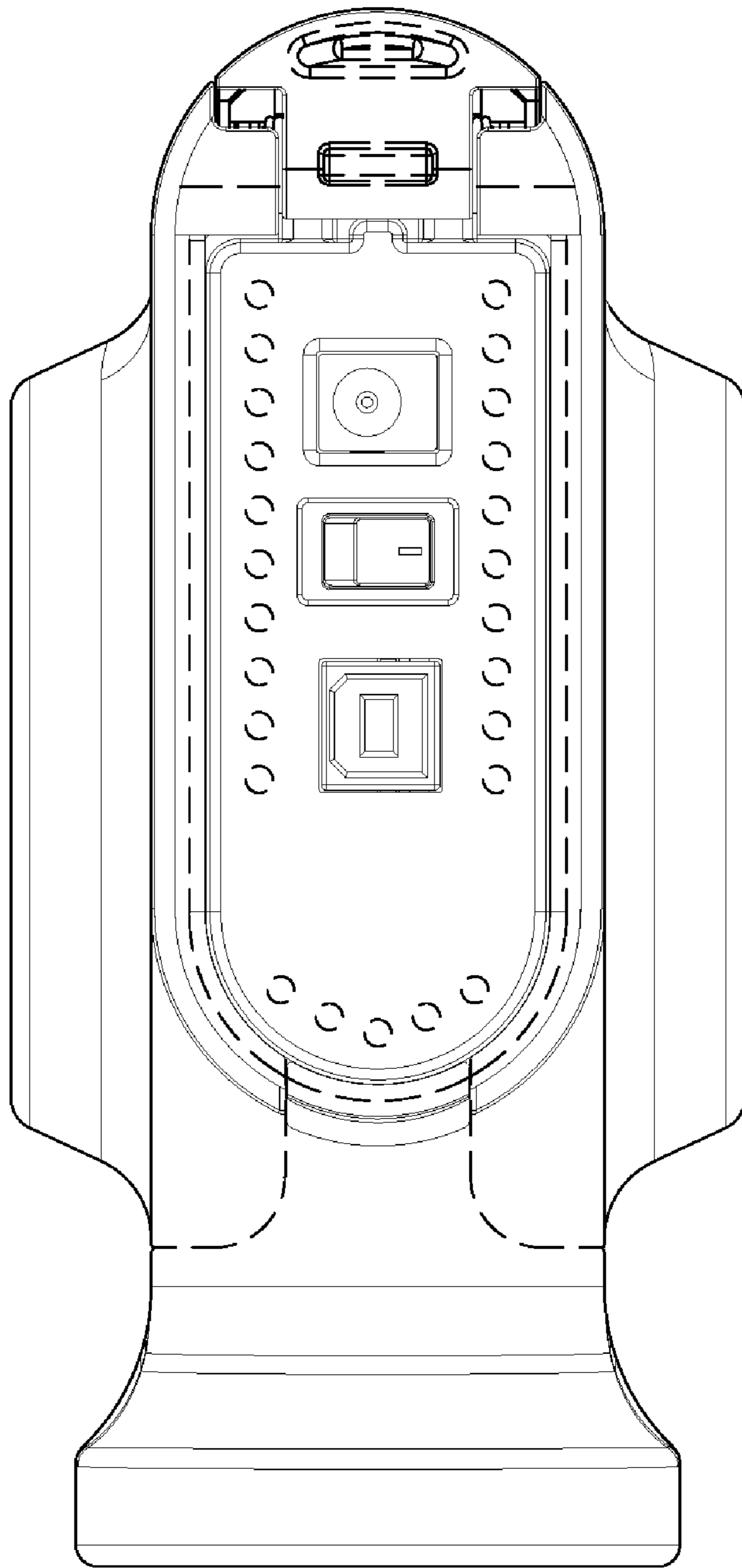


Fig. 3

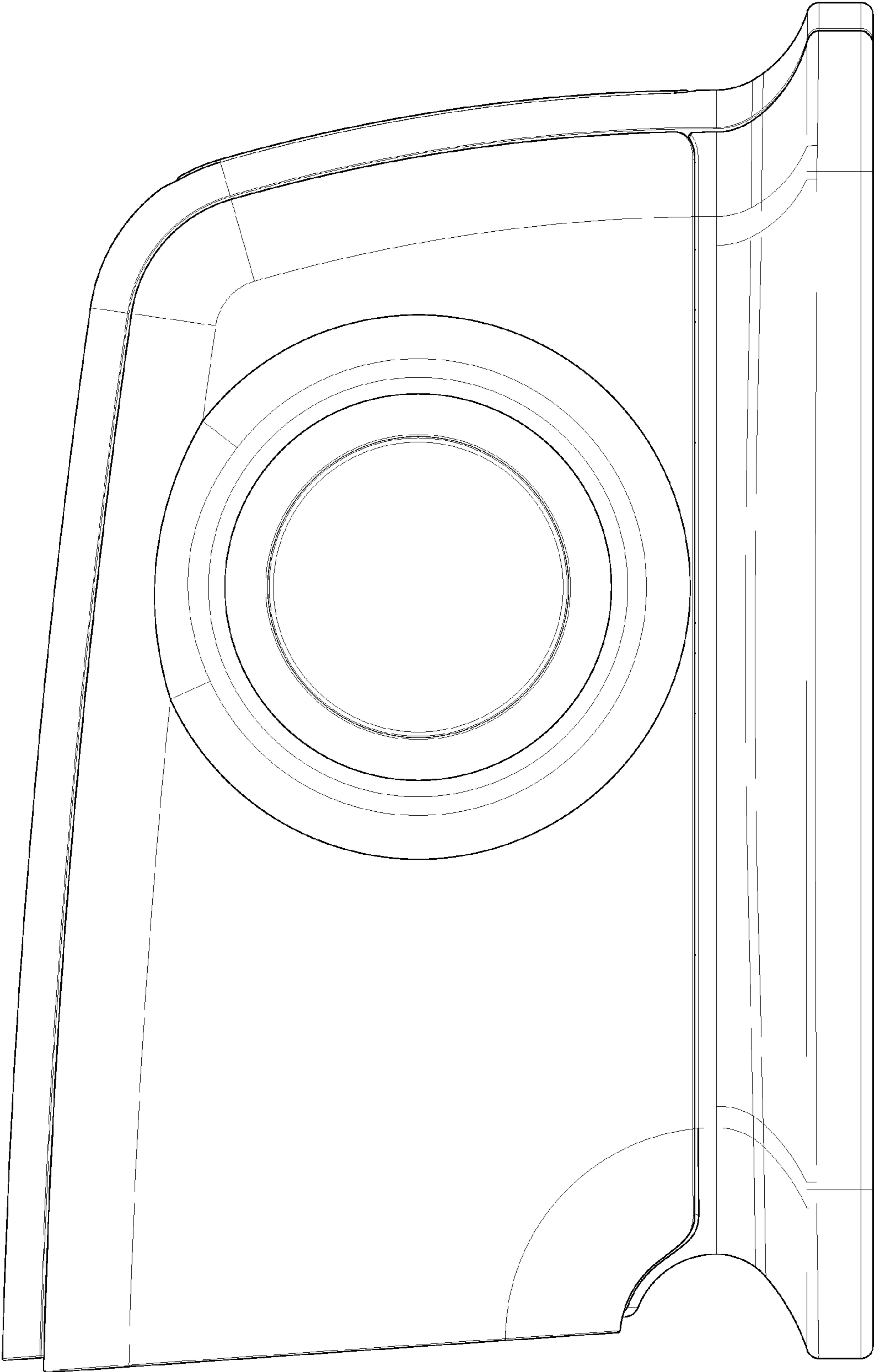


Fig. 4

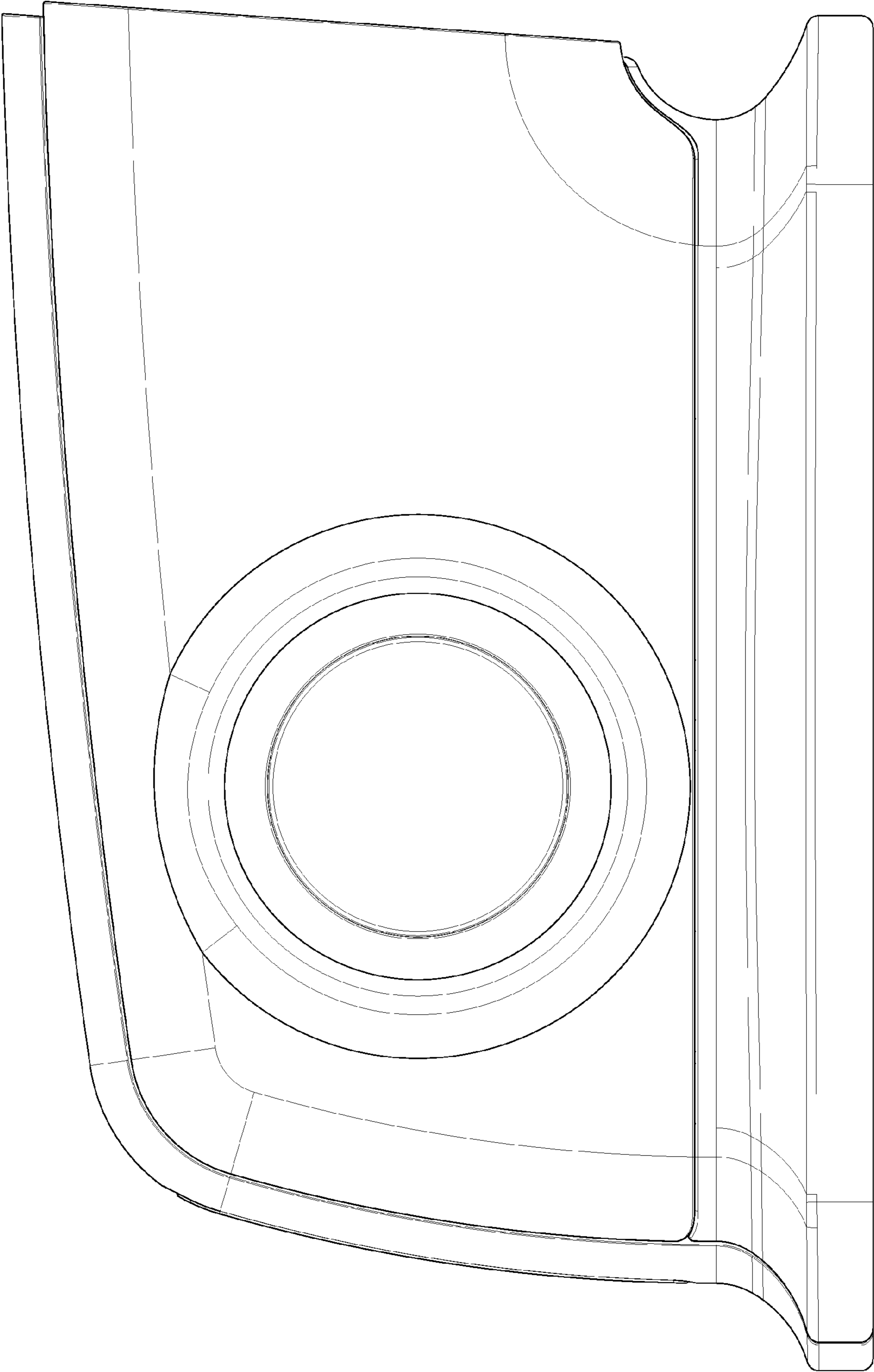


Fig. 5

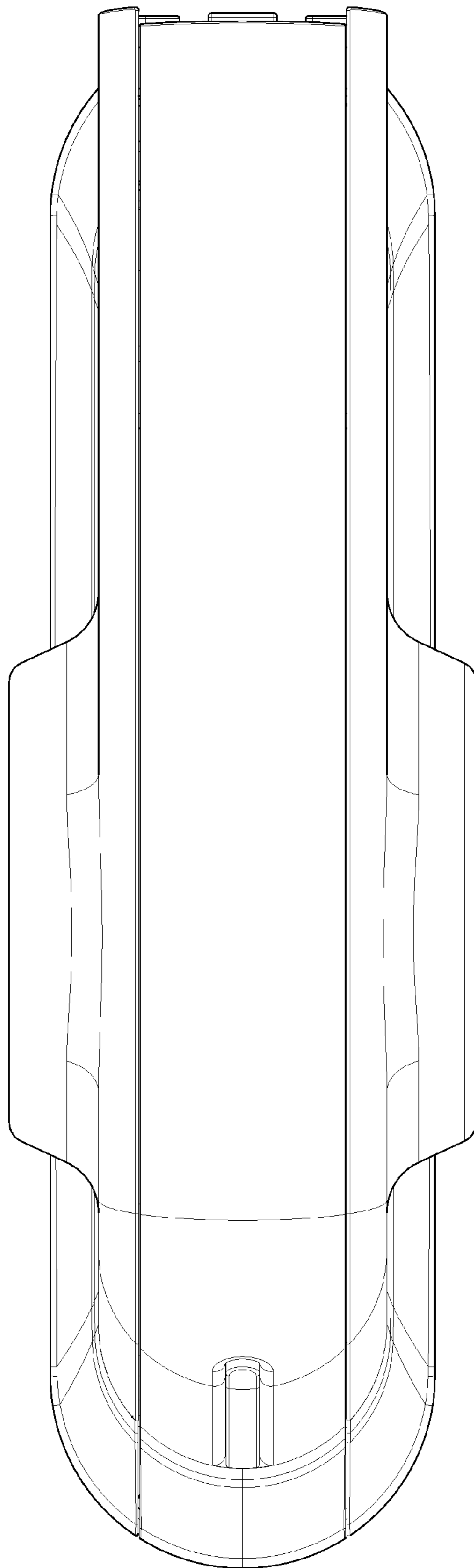


Fig. 6

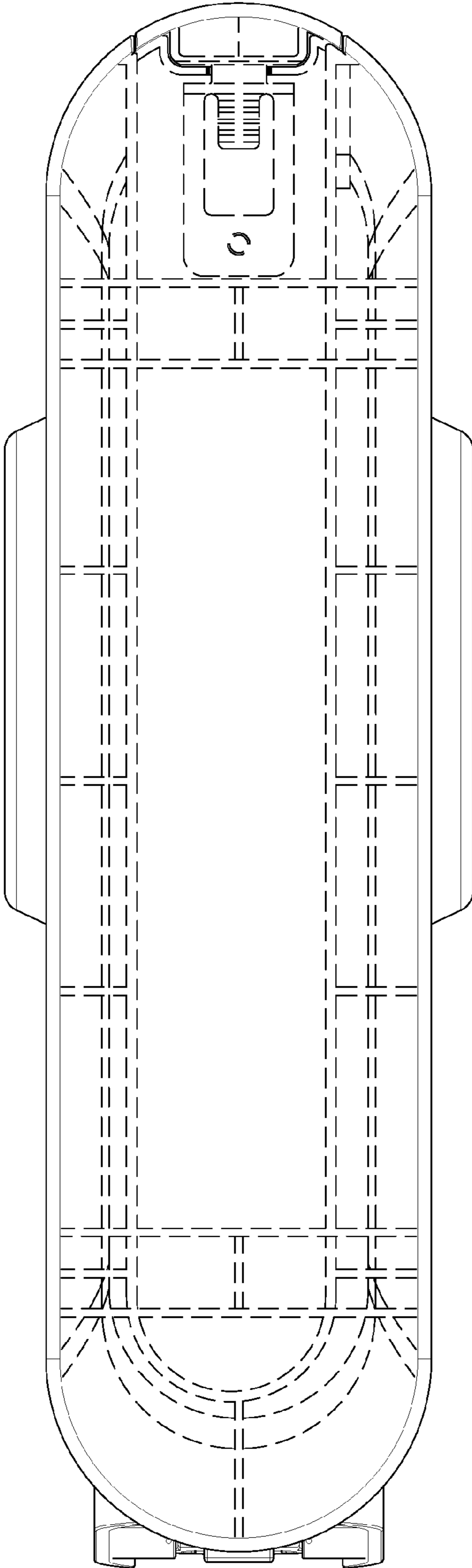


Fig. 7