



US00D615974S

(12) **United States Design Patent**  
**Quijano et al.**

(10) **Patent No.:** **US D615,974 S**

(45) **Date of Patent:** **\*\* May 18, 2010**

(54) **COMPUTER WORKSTATION**

(75) Inventors: **David Quijano**, Fort Collins, CO (US);  
**Randall W. Martin**, The Woodlands, TX (US);  
**Tom J. Searby**, Eaton, CO (US);  
**John L. Guenther**, Aptos, CA (US);  
**Peter J. Wyatt**, San Francisco, CA (US);  
**Holger Hampf**, Newbury Park, CA (US);  
**Seth Frankel**, Newbury Park, CA (US);  
**Matthew Hern**, Newbury Park, CA (US);  
**Owen T. Richard**, Fort Collins, CO (US)

(73) Assignee: **Hewlett-Packard Development Company, L.P.**, Houston, TX (US)

(\*\*) Term: **14 Years**

(21) Appl. No.: **29/341,796**

(22) Filed: **Aug. 12, 2009**

(51) **LOC (9) Cl.** ..... **14-02**

(52) **U.S. Cl.** ..... **D14/354**

(58) **Field of Classification Search** ..... D14/300–302,  
D14/308–312, 349–356; D13/162, 184,  
D13/199; 312/223.1–223.3; 360/99.01–99.12;  
361/600, 679.6, 679.33, 816; 369/34.01,  
369/36.01

See application file for complete search history.

(56) **References Cited**

U.S. PATENT DOCUMENTS

6,480,398 B1 \* 11/2002 Fiora et al. .... 361/816  
6,549,397 B1 \* 4/2003 Diaz et al. .... 361/679.6  
D499,096 S \* 11/2004 Deng ..... D14/353  
D523,427 S \* 6/2006 Tsuzuki et al. .... D14/300  
D545,306 S \* 6/2007 Lauffer et al. .... D14/349

D548,737 S \* 8/2007 Dearborn et al. .... D14/349  
D575,779 S \* 8/2008 Dearborn et al. .... D14/349  
D593,089 S \* 5/2009 Sun et al. .... D14/349  
2003/0122457 A1 \* 7/2003 Diaz et al. .... 312/223.2

\* cited by examiner

*Primary Examiner*—Freda S Nunn

(57) **CLAIM**

The ornamental design for a computer workstation, as shown and described.

**DESCRIPTION**

FIG. 1 is a top, front, and left side isometric view of a computer workstation showing our new design;

FIG. 2 is a top, rear and right side isometric view thereof;

FIG. 3 is a front elevational view thereof;

FIG. 4 is a rear elevational view thereof;

FIG. 5 is a left elevational view thereof;

FIG. 6 is a right elevational view thereof;

FIG. 7 is a top plan view thereof;

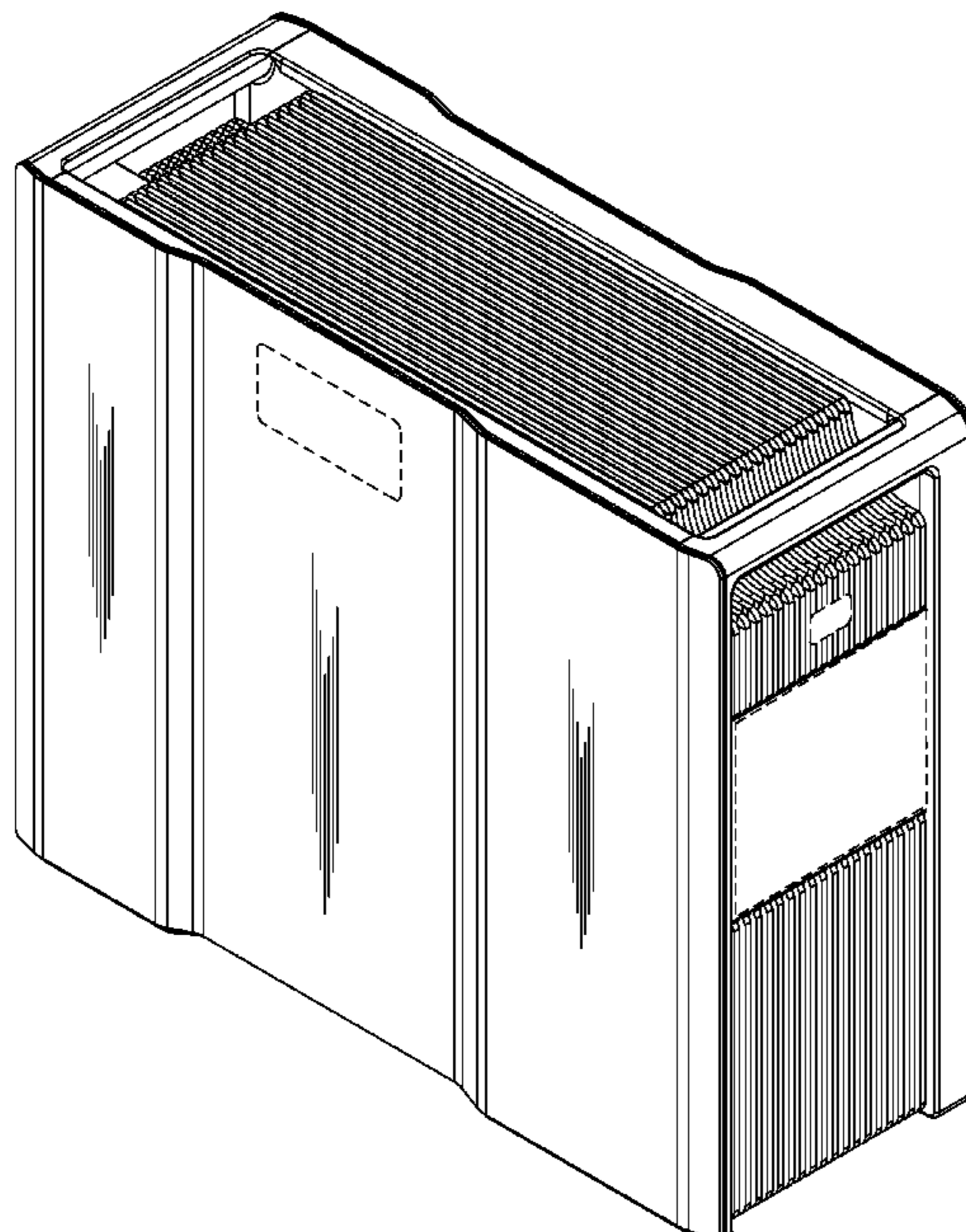
FIG. 8 is a bottom plan view thereof;

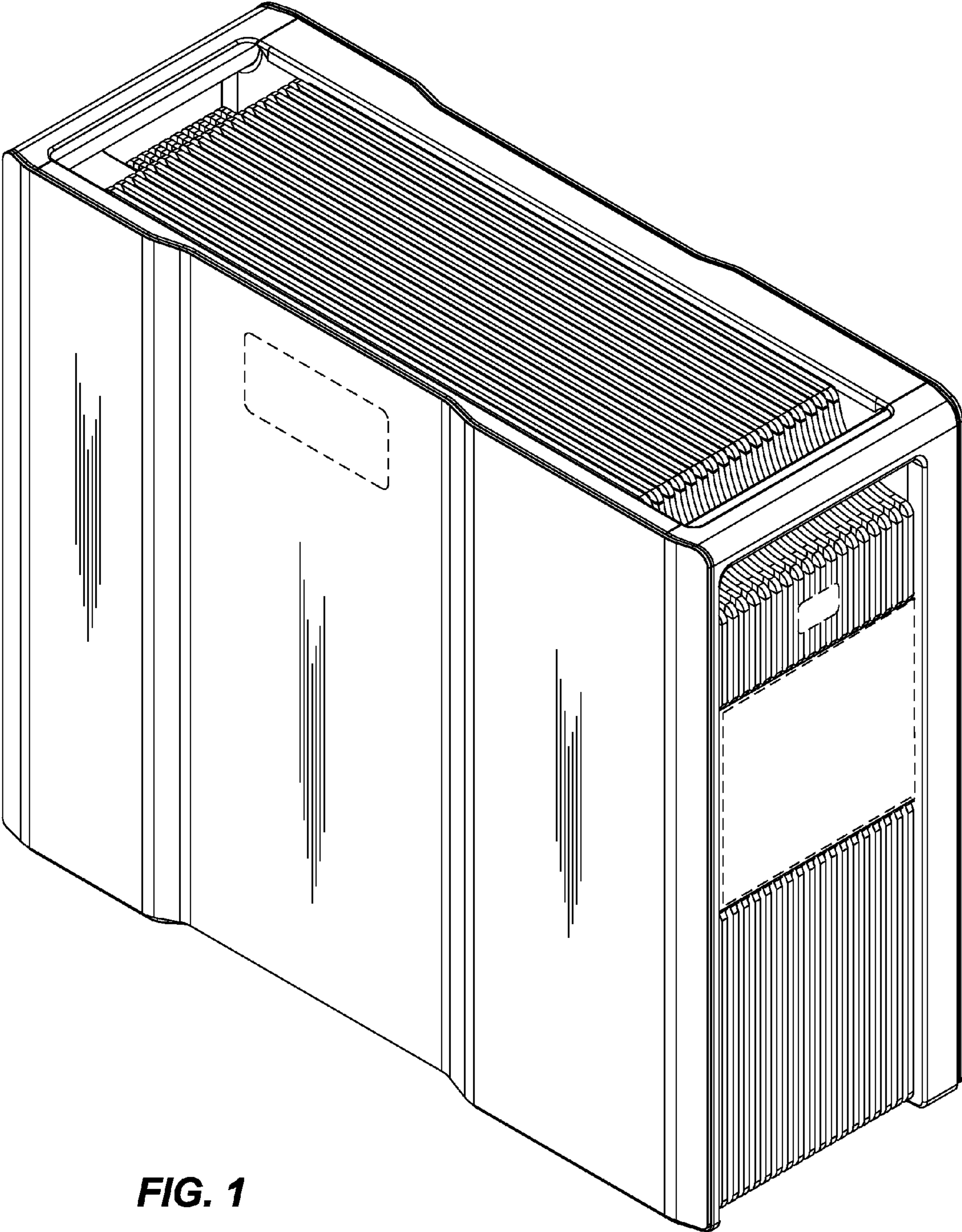
FIG. 9 is the same view as FIG. 1 with a handle partially removed to better illustrate the shape thereof as well as a portion of the design otherwise obscured by the handle; and,

FIG. 10 is the same view as FIG. 2 with another handle partially removed to better illustrate the shape thereof as well as a portion of the design otherwise obscured by the handle.

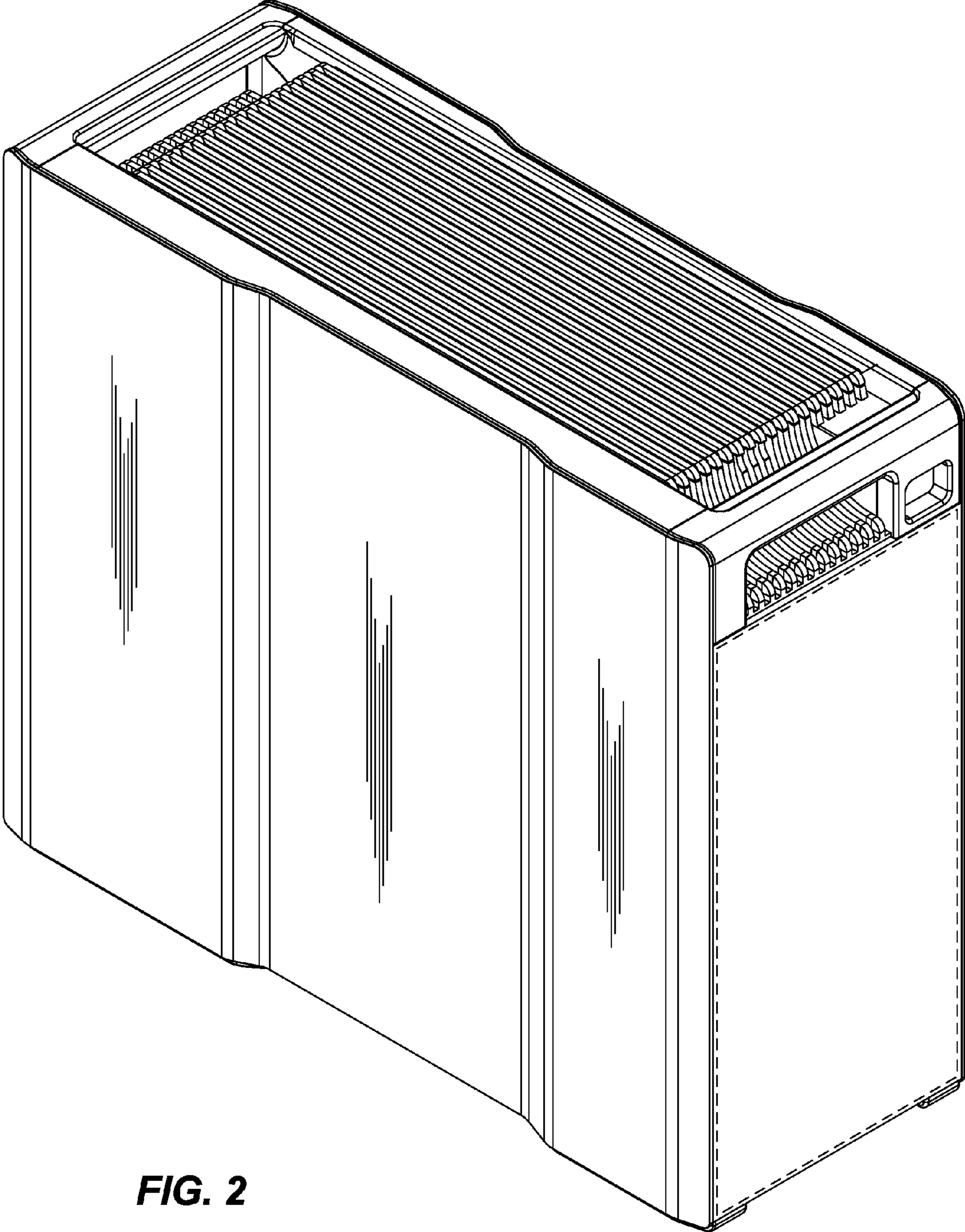
The broken lines shown in the drawing views indicate areas on the article that form no part of the claimed design of the subject embodiment.

**1 Claim, 10 Drawing Sheets**

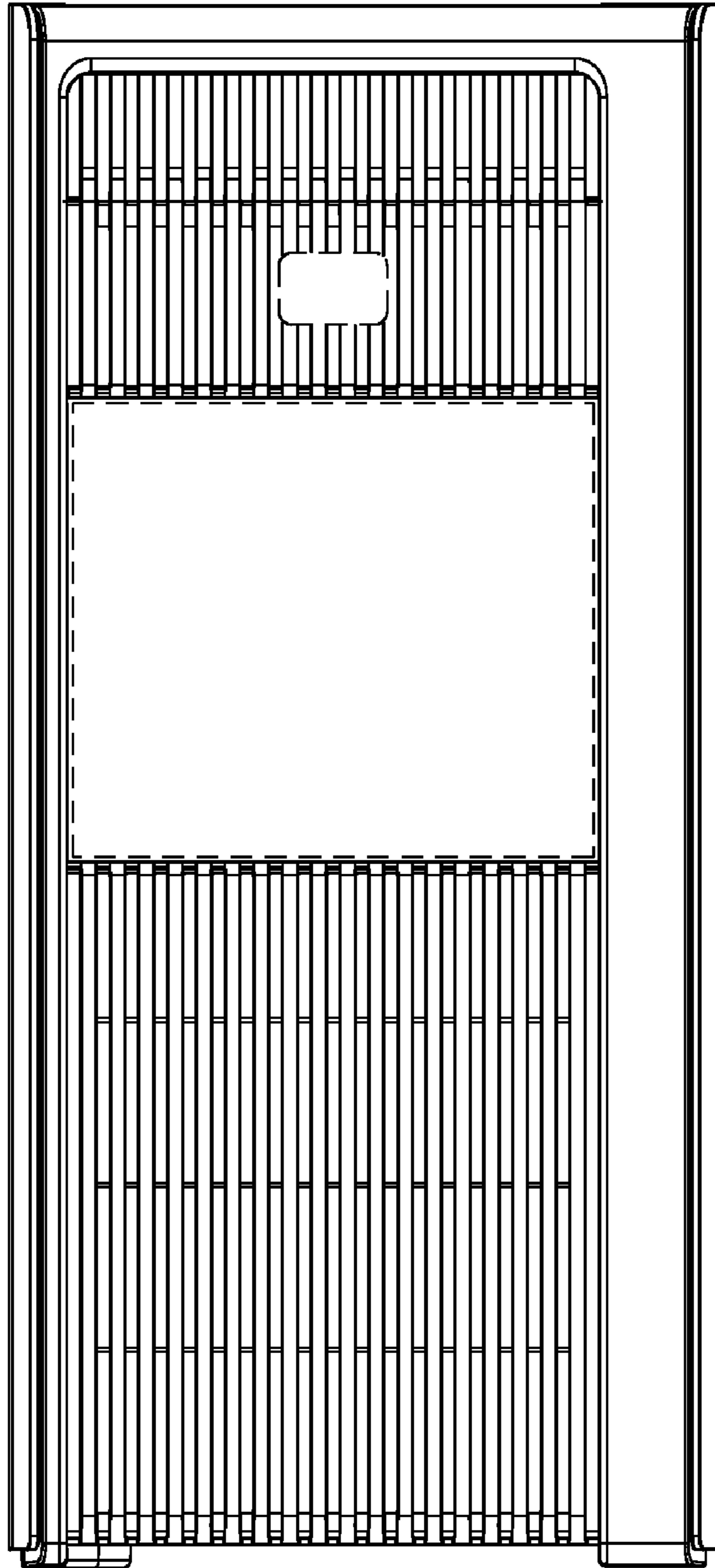




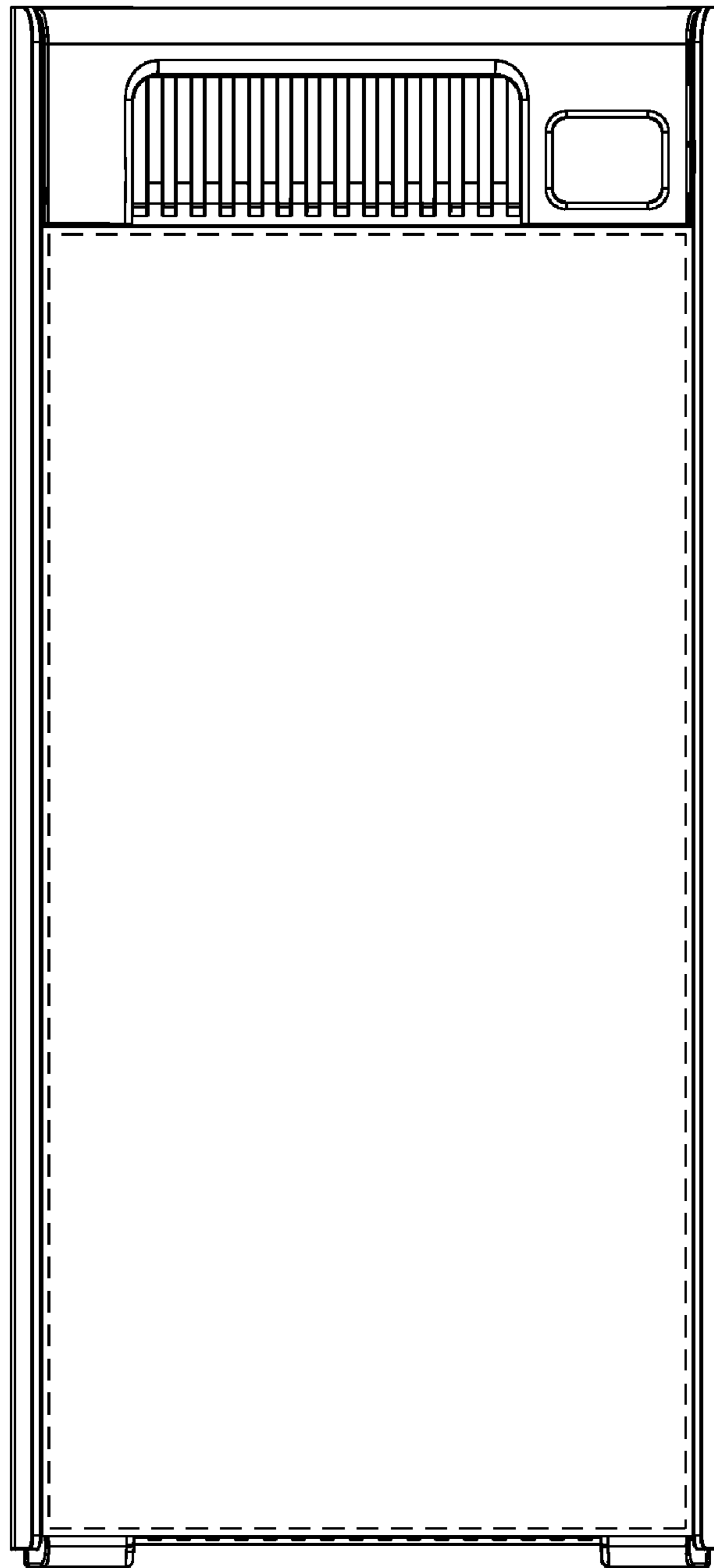
**FIG. 1**



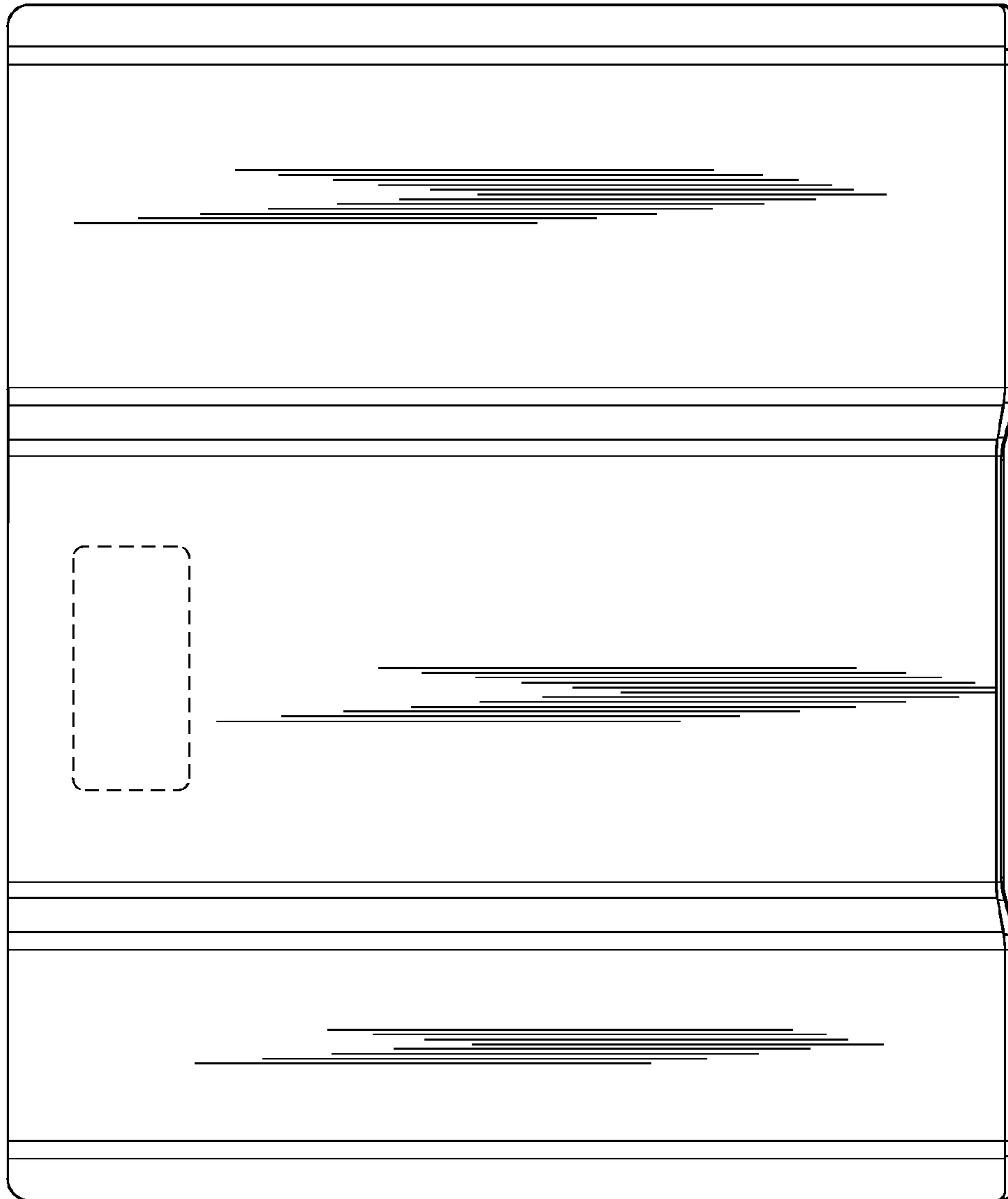
**FIG. 2**



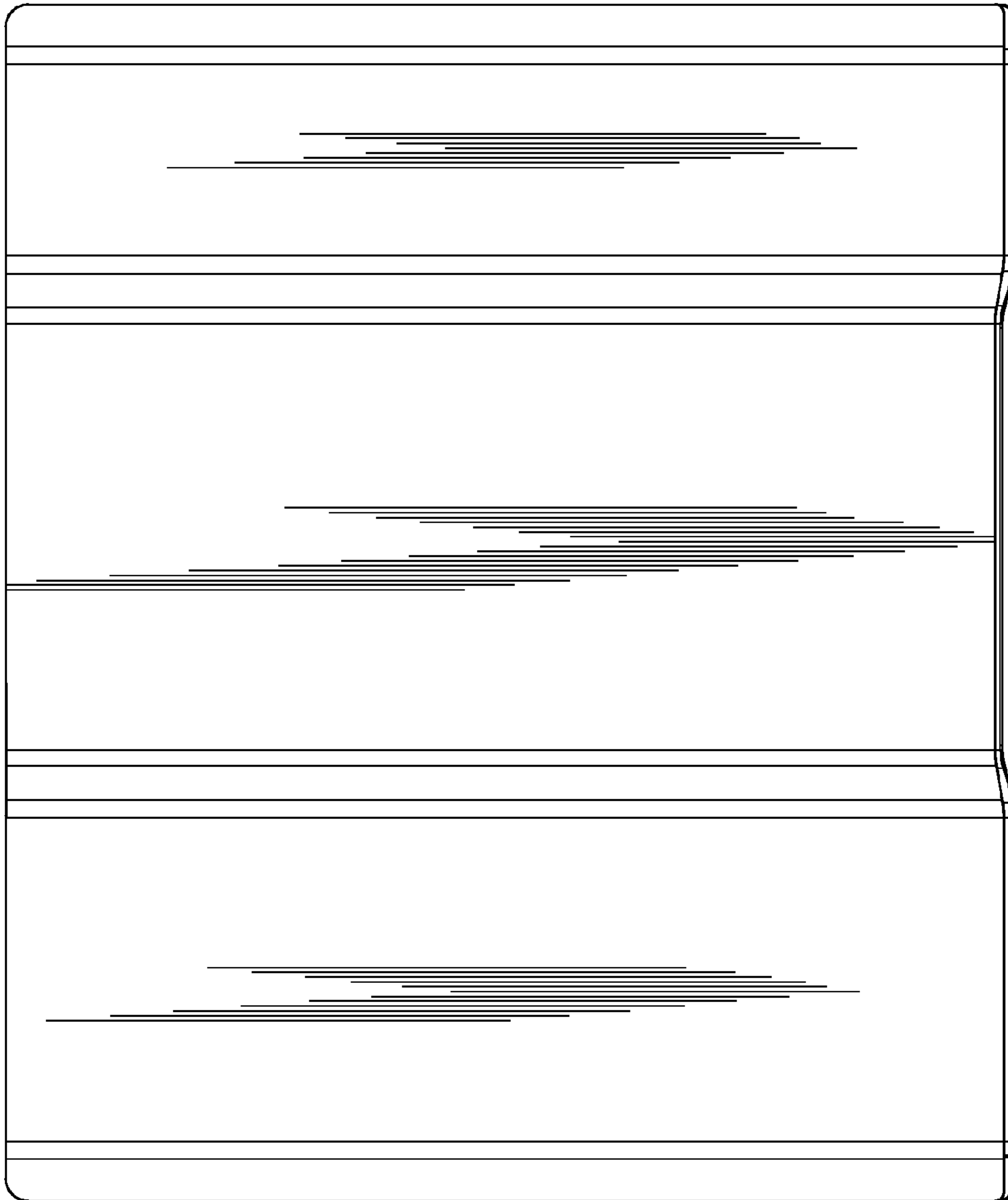
**FIG. 3**



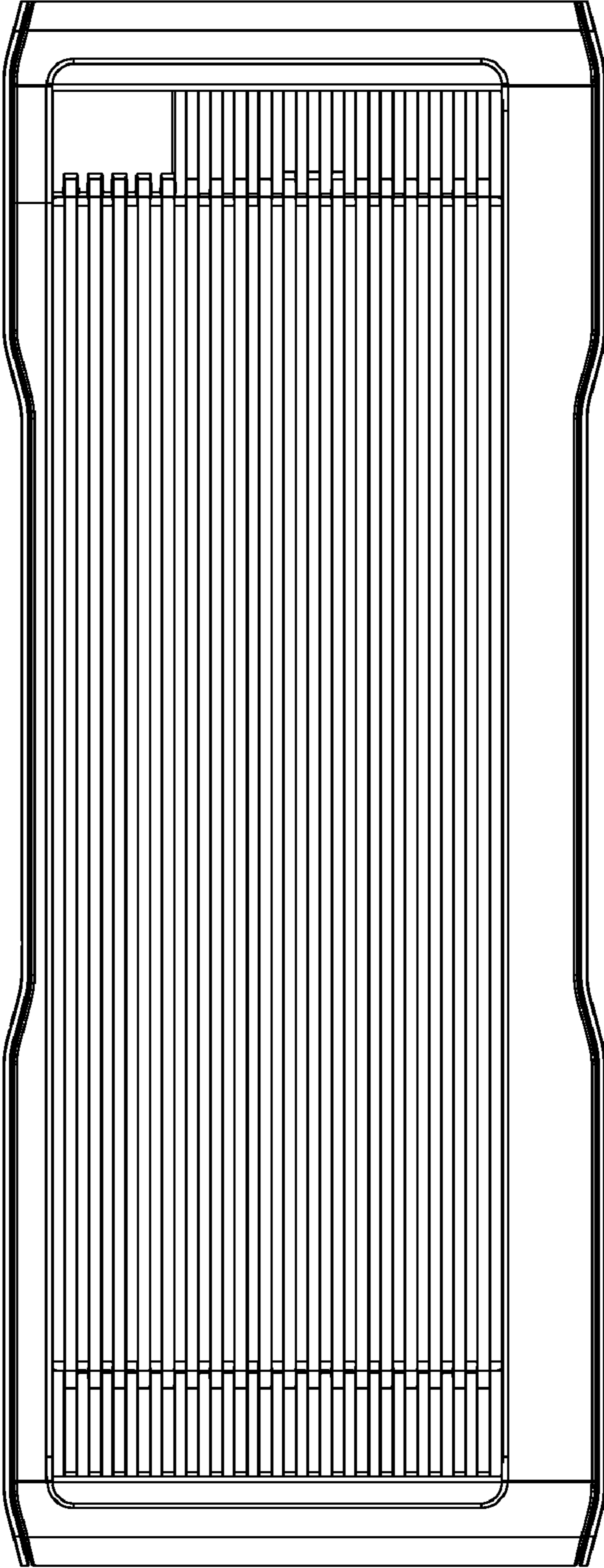
**FIG. 4**



**FIG. 5**

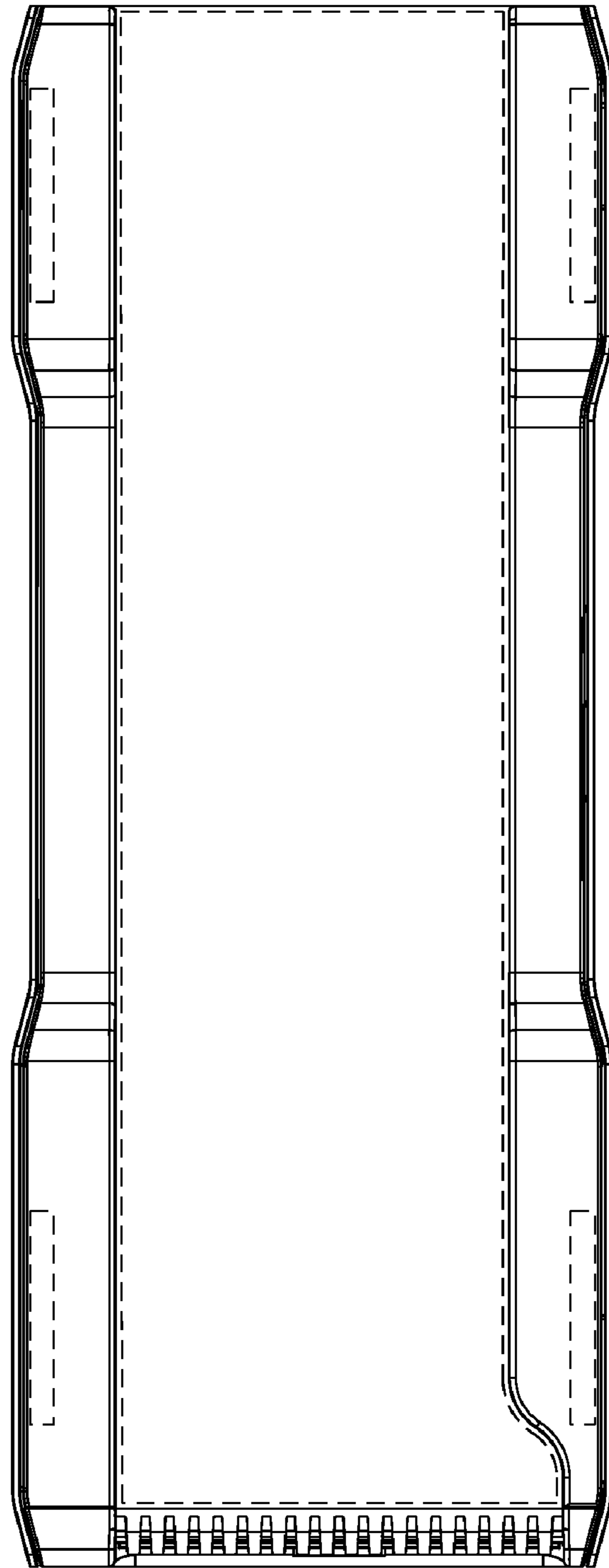


**FIG. 6**

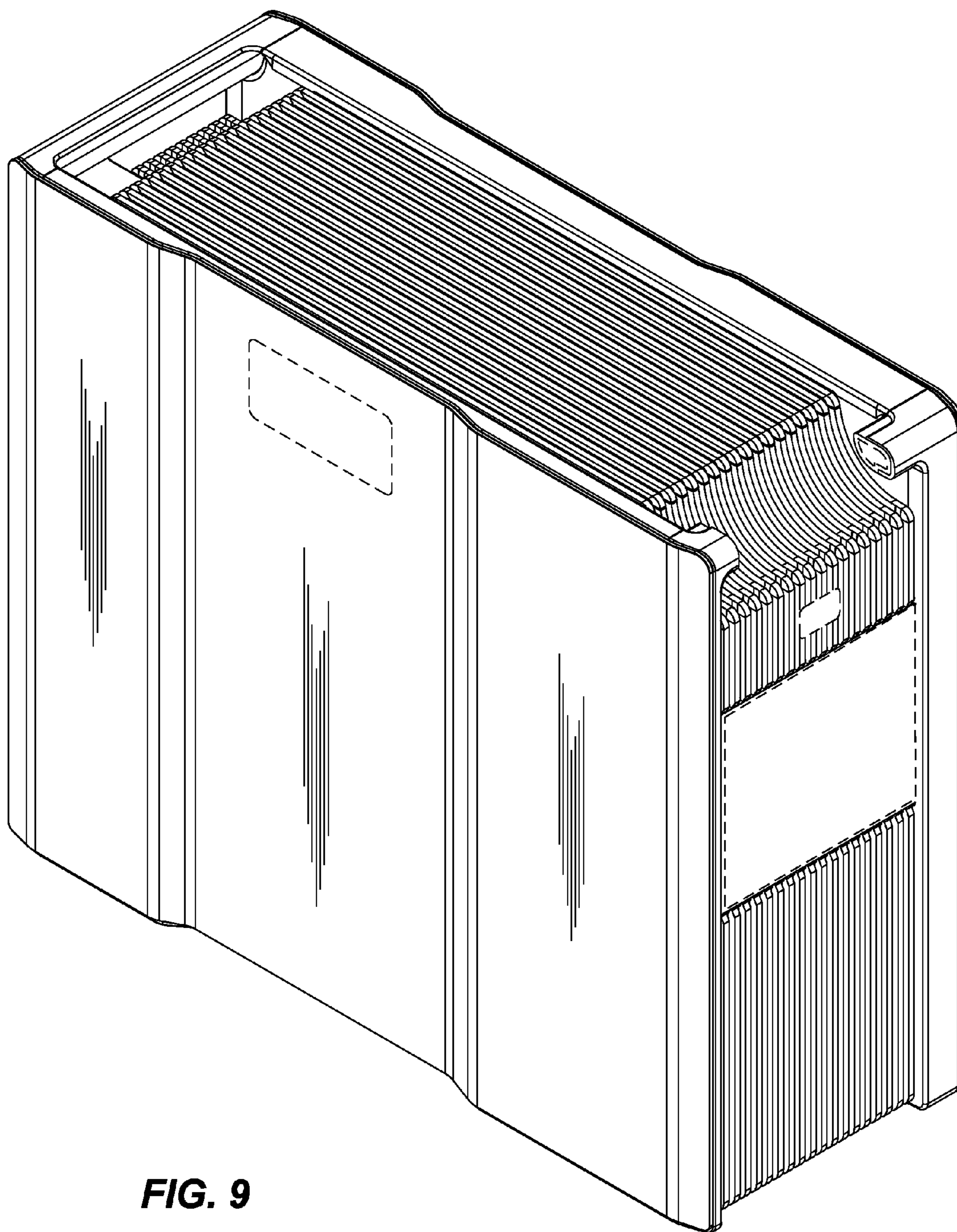


**FIG. 7**

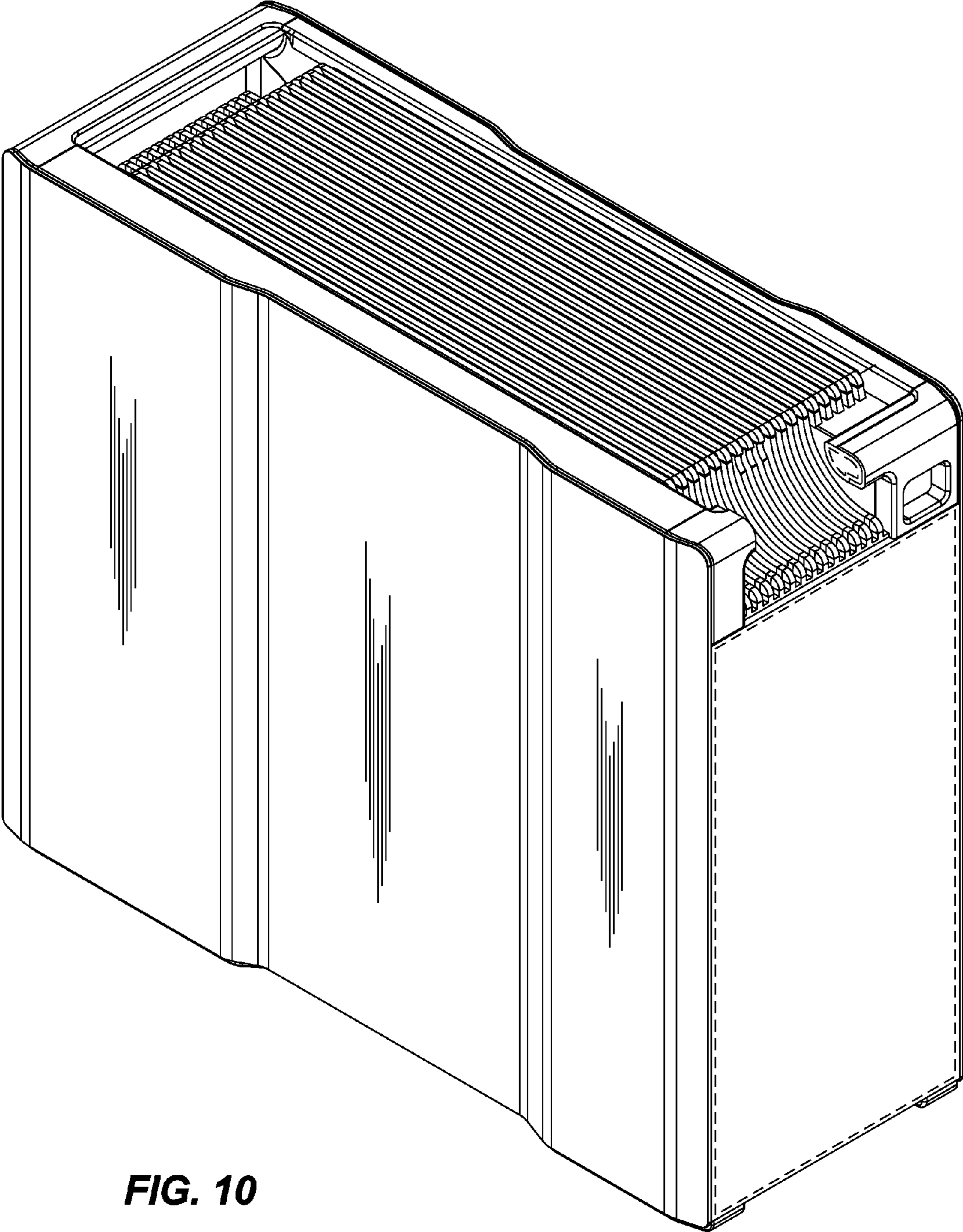




**FIG. 8**



**FIG. 9**



**FIG. 10**