



US00D615972S

(12) **United States Design Patent**
Corley et al.

(10) **Patent No.:** **US D615,972 S**
(45) **Date of Patent:** **** May 18, 2010**

(54) **HAND-HELD ELECTRONIC DEVICE**

(75) Inventors: **Cortez Corley**, Waterloo (CA); **Todd Wood**, Guelph (CA)

(73) Assignee: **Research in Motion Limited**, Waterloo, Ontario (CA)

(**) Term: **14 Years**

(21) Appl. No.: **29/335,354**

(22) Filed: **Apr. 14, 2009**

D550,186 S * 9/2007 Rak D14/138 AA
D550,665 S 9/2007 Griffin
D551,227 S 9/2007 Griffin
D556,749 S 12/2007 Rak
D576,593 S 9/2008 Chang
D581,924 S * 12/2008 Griffin D14/346
D586,344 S * 2/2009 Rak et al. D14/346

Related U.S. Application Data

(62) Division of application No. 29/295,198, filed on Sep. 21, 2007, now Pat. No. Des. 595,724.

(51) **LOC (9) Cl.** **14-02**

(52) **U.S. Cl.** **D14/346; D14/439; D14/248**

(58) **Field of Classification Search** D14/341, D14/342, 343, 344, 345, 346, 347, 138 R, D14/138 AA, 138 AB, 138 AC, 138 AD, D14/138 C, 138 G, 315, 316, 320, 331, 333, D14/334, 335, 338, 339, 340, 387, 390, 391, D14/392, 393, 394, 395, 396, 397, 398, 399, D14/400, 401, 406, 420, 426, 427, 428, 429, D14/432, 439, 440, 441, 453, 454, 455, 456, D14/457, 496, 130, 137, 142, 150, 151, 203.1; D14/203.3, 203.4, 203.5, 203.6, 203.7, 238.1, D14/247, 248, 250, 902, 218, 125, 126; D13/168, D13/171; D18/7; D21/324, 329, 330, 331, D21/333; D10/65; 455/556.1, 556.2, 566, 455/575.1, 575.3, 575.4, 90.3; 341/22; 379/433.04, 379/433.06, 433.07, 433.11, 433.12, 433.13, 379/910, 915, 916; 348/14.02, 207.1, 552; 345/169, 168, 901

See application file for complete search history.

(56) **References Cited**

U.S. PATENT DOCUMENTS

D495,695 S 9/2004 Yugaya

(Continued)

OTHER PUBLICATIONS

BlackBerry Pearl 8100, announced Sep. 2006, [online], [retrieved on Jun. 18, 2008]. Retrieved from Internet, <URL: http://www.gsmarena.com/blackberry_pearl_8100-1701.php>.

(Continued)

Primary Examiner—Jennifer Rivard
Assistant Examiner—Angela J Lee
(74) *Attorney, Agent, or Firm*—Novak Druce + Quigg LLP

(57) **CLAIM**

We claim the ornamental design for a hand-held electronic device, as shown and described.

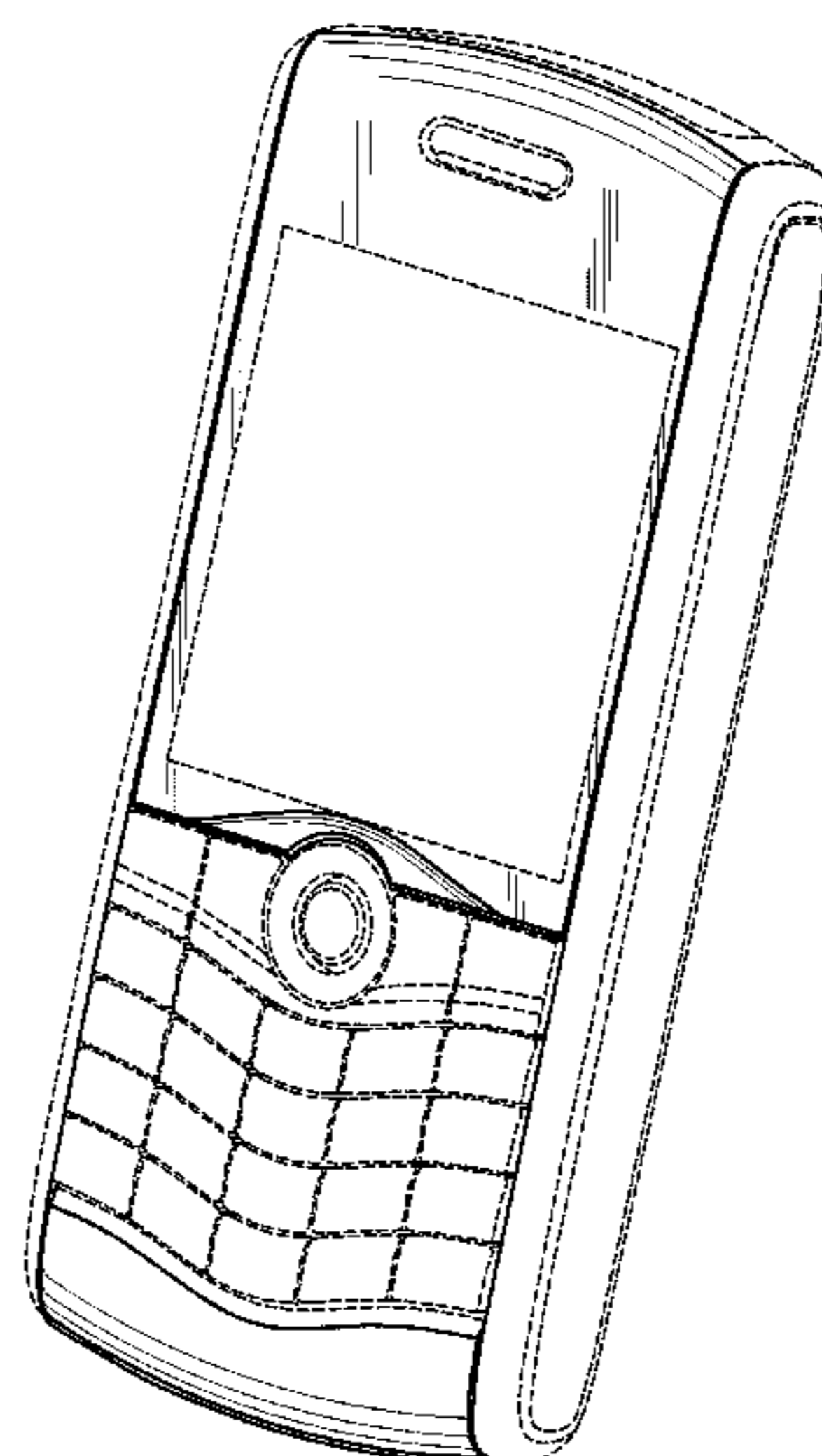
DESCRIPTION

FIG. 1 is a front perspective view of a hand-held electronic device; and,

FIG. 2 is a front elevational view of a hand-held electronic device.

The portions of the hand-held electronic device shown in broken lines are included for illustrating environment and form no part of the claimed design.

1 Claim, 2 Drawing Sheets



US D615,972 S

Page 2

U.S. PATENT DOCUMENTS

D586,804 S * 2/2009 Rak et al. D14/346
D587,263 S * 2/2009 Rak et al. D14/346
D587,264 S * 2/2009 Griffin et al. D14/346
D587,705 S * 3/2009 Rak et al. D14/346
D589,043 S * 3/2009 Rak et al. D14/346
D589,926 S * 4/2009 Turner D14/138 AA
D591,743 S * 5/2009 Corley et al. D14/346
D593,555 S * 6/2009 Corley et al. D14/346
D595,724 S * 7/2009 Corley et al. D14/455
2007/0188462 A1 8/2007 Lee

2007/0234208 A1 10/2007 Scott
2007/0259698 A1 11/2007 Chen
2007/0281733 A1* 12/2007 Griffin et al. 455/550.1
2008/0058006 A1 3/2008 Ladouceur

OTHER PUBLICATIONS

BlackBerry Pearl 8120, announced Oct. 2007, [online], [retrieved on Jun. 18, 2008]. Retrieved from Internet, <URL: http://www.gsmarena.com/blackberry_pearl_8120-2136.php>.

* cited by examiner

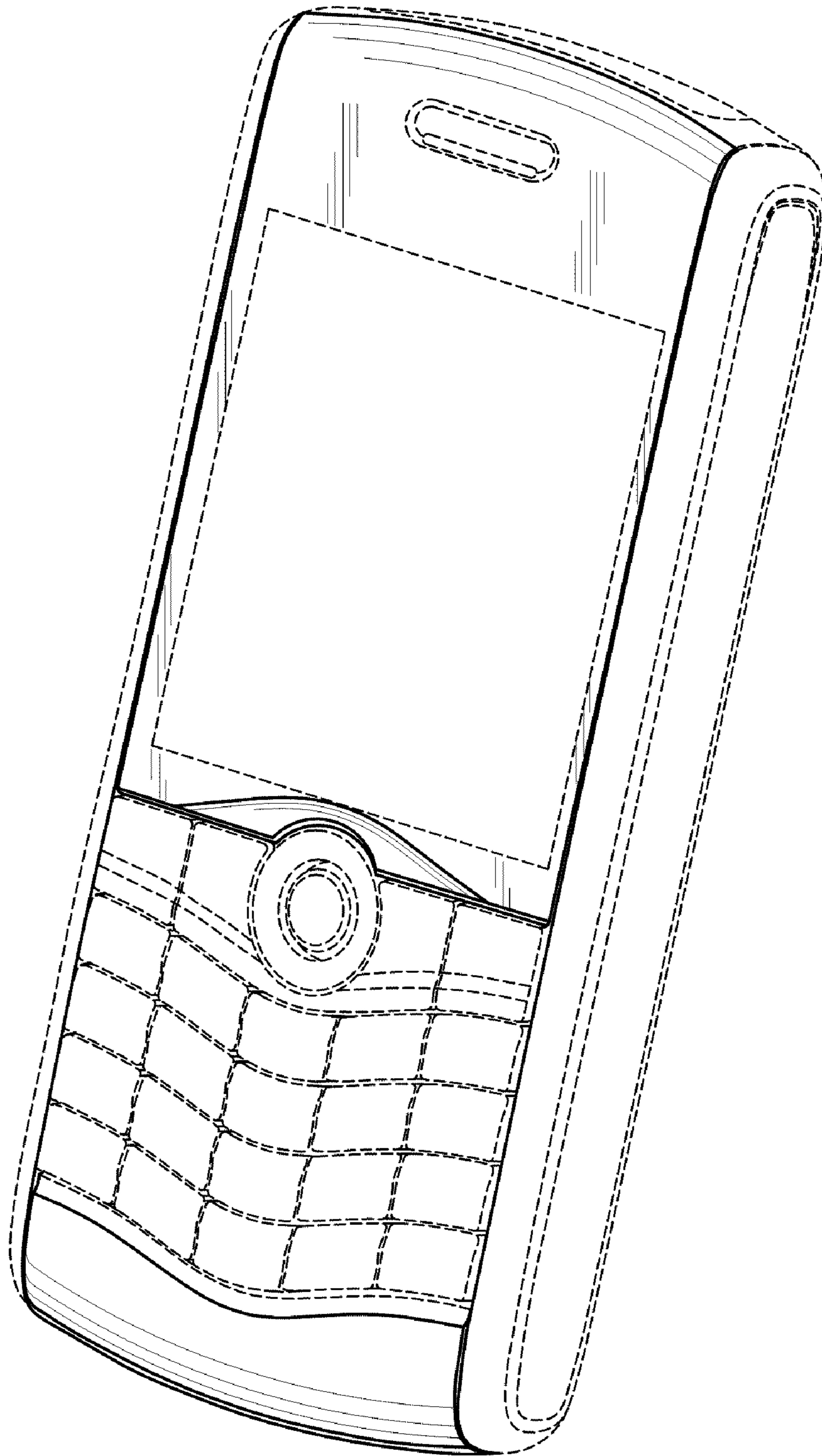


FIG. 1

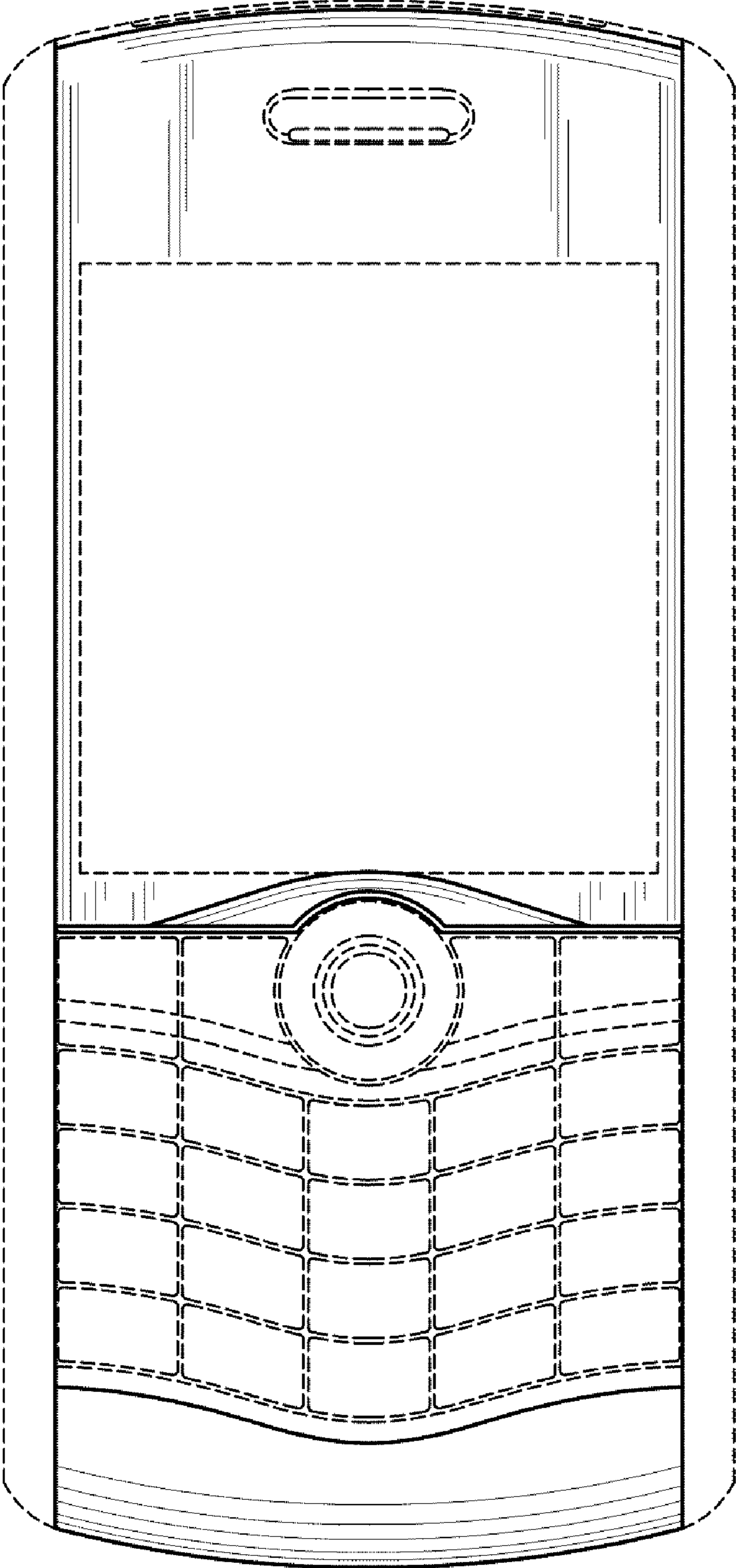


FIG.2