



US00D615971S

(12) **United States Design Patent**
Chien et al.

(10) **Patent No.:** **US D615,971 S**
(45) **Date of Patent:** **** May 18, 2010**

(54) **HANDHELD ELECTRONIC DEVICE**

(75) Inventors: **Chih-Ling Chien**, Taoyuan County (TW); **Po-Lin Ho**, Taoyuan County (TW); **Feng-Chen Chang**, Taoyuan County (TW)

(73) Assignee: **HTC Corporation**, Taoyuan (TW)

(**) Term: **14 Years**

(21) Appl. No.: **29/342,620**

(22) Filed: **Aug. 28, 2009**

(30) **Foreign Application Priority Data**

Aug. 5, 2009 (TW) 98303640

(51) **LOC (9) Cl.** **14-02**

(52) **U.S. Cl.** **D14/341**

(58) **Field of Classification Search** D14/341–347, D14/137, 138, 138.1, 138 AA, 138 R, 138 AB, D14/138 AC, 138 AD, 138 C, 138 G, 496, D14/203.1, 203.3, 203.4, 203.5, 203.6, 203.7, D14/402–411, 431, 417, 426, 427, 428, 432, D14/429, 129, 130, 420, 439–441, 448, 125, D14/147, 156, 218, 247–248, 250, 389; D10/65, D10/104; D21/29, 686, 33, 324, 329, 330, D21/331; 455/556.1, 556.2, 566, 575.1, 455/575.3, 575.4, 90.3, 6.1; 379/433.04, 379/433.11, 433.12, 433.13, 910, 916, 433.01, 379/433.06, 433.07; 345/169, 901, 905; 361/814; 341/122; 346/173; 273/454–456, 273/459–461, 153 R, 148 R, 148 B, 259, 273/138.2, 237; 463/1, 46, 47, 47.3

See application file for complete search history.

(56) **References Cited**

U.S. PATENT DOCUMENTS

D580,387 S	*	11/2008	Andre et al.	D14/138 G
D584,270 S	*	1/2009	Chien et al.	D14/138 AD
D596,608 S	*	7/2009	Kim et al.	D14/138 G
D597,507 S	*	8/2009	Jung et al.	D14/138 AD
D604,716 S	*	11/2009	Oh et al.	D14/203.7
D606,506 S	*	12/2009	Choi et al.	D14/138 AD
D609,210 S	*	2/2010	Sohn et al.	D14/138 AD

* cited by examiner

Primary Examiner—Cathron C Brooks

Assistant Examiner—Barbara Fox

(74) *Attorney, Agent, or Firm*—Birch, Stewart, Kolasch & Birch, LLP

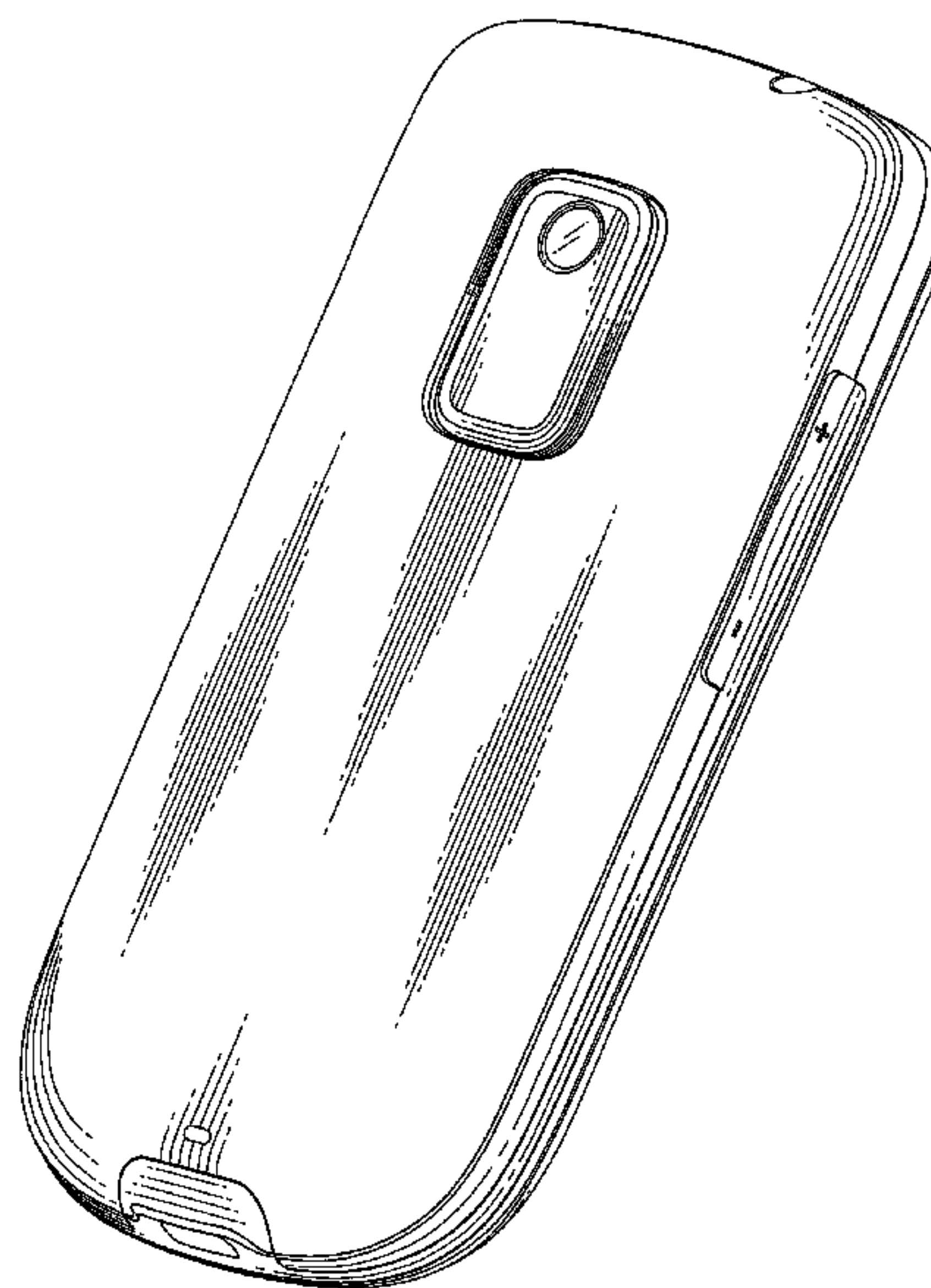
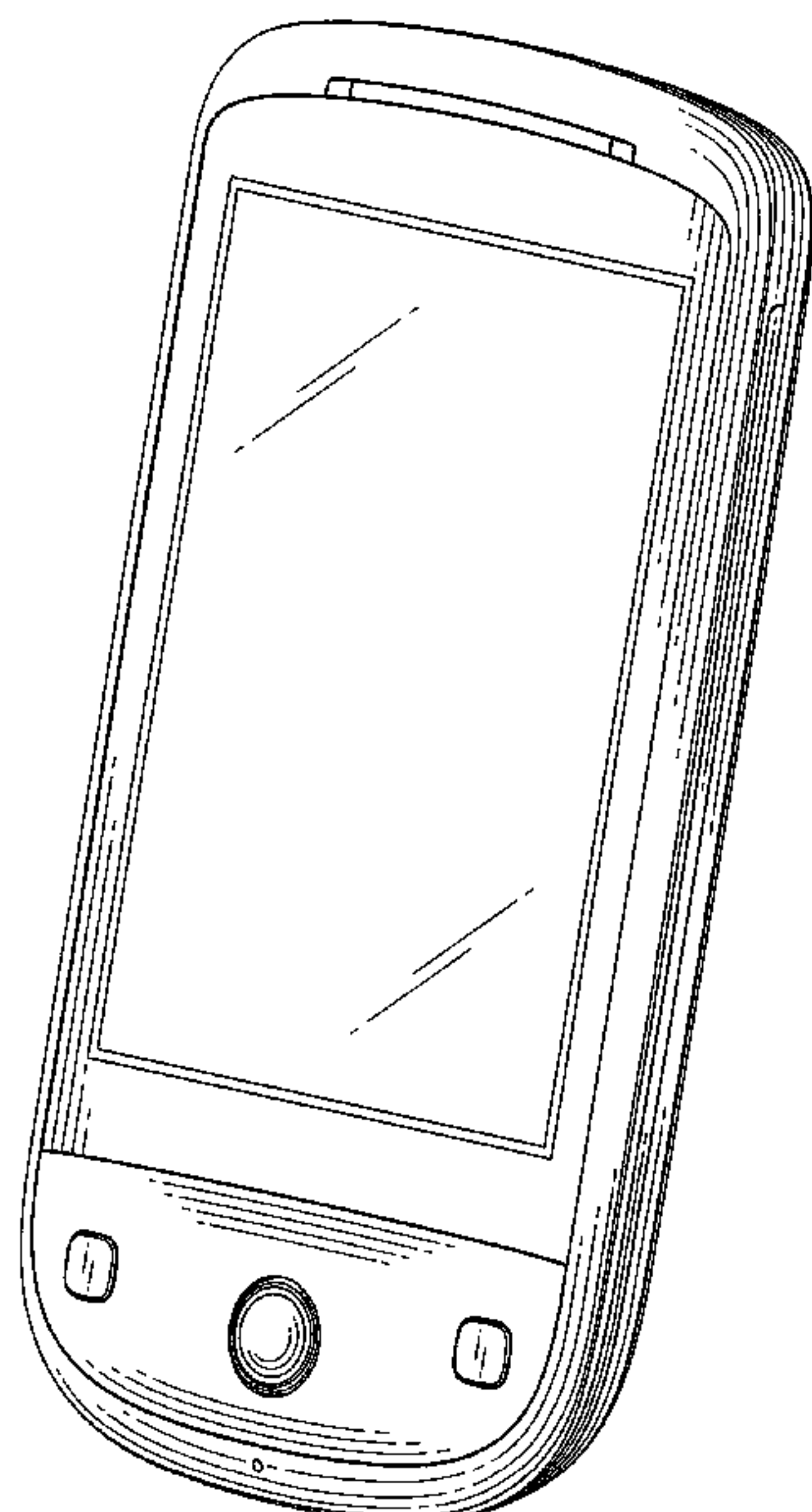
(57) **CLAIM**

The ornamental design for handheld electronic device, as shown and described.

DESCRIPTION

FIG. 1 is a front perspective view of a handheld electronic device showing our new design;
FIG. 2 is a front side view thereof;
FIG. 3 is a rear side view thereof;
FIG. 4 is a left side view thereof;
FIG. 5 is a right side view thereof;
FIG. 6 is a top plan view thereof;
FIG. 7 is a bottom plan view thereof; and,
FIG. 8 is a rear perspective view thereof.

1 Claim, 8 Drawing Sheets



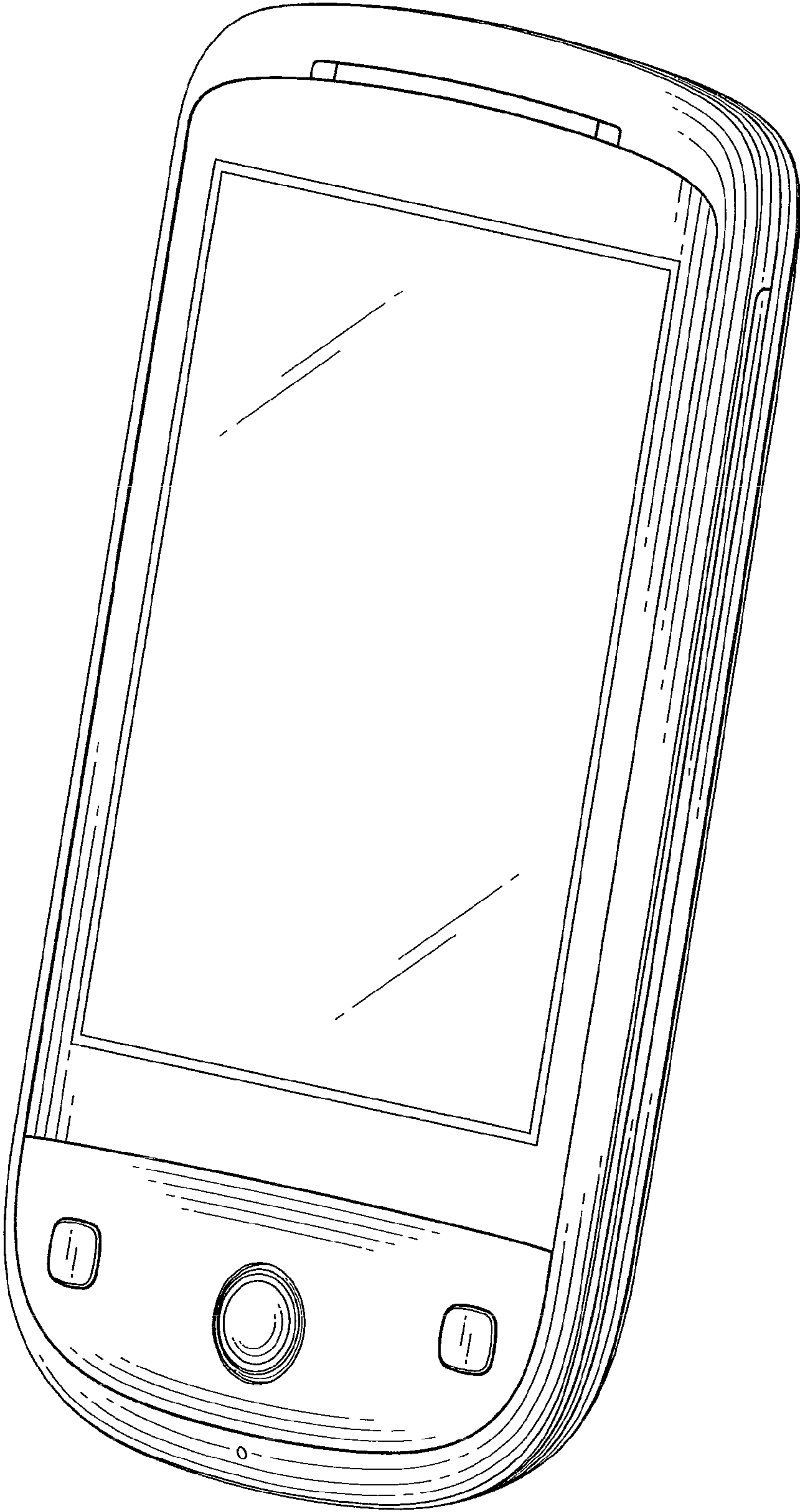


FIG. 1

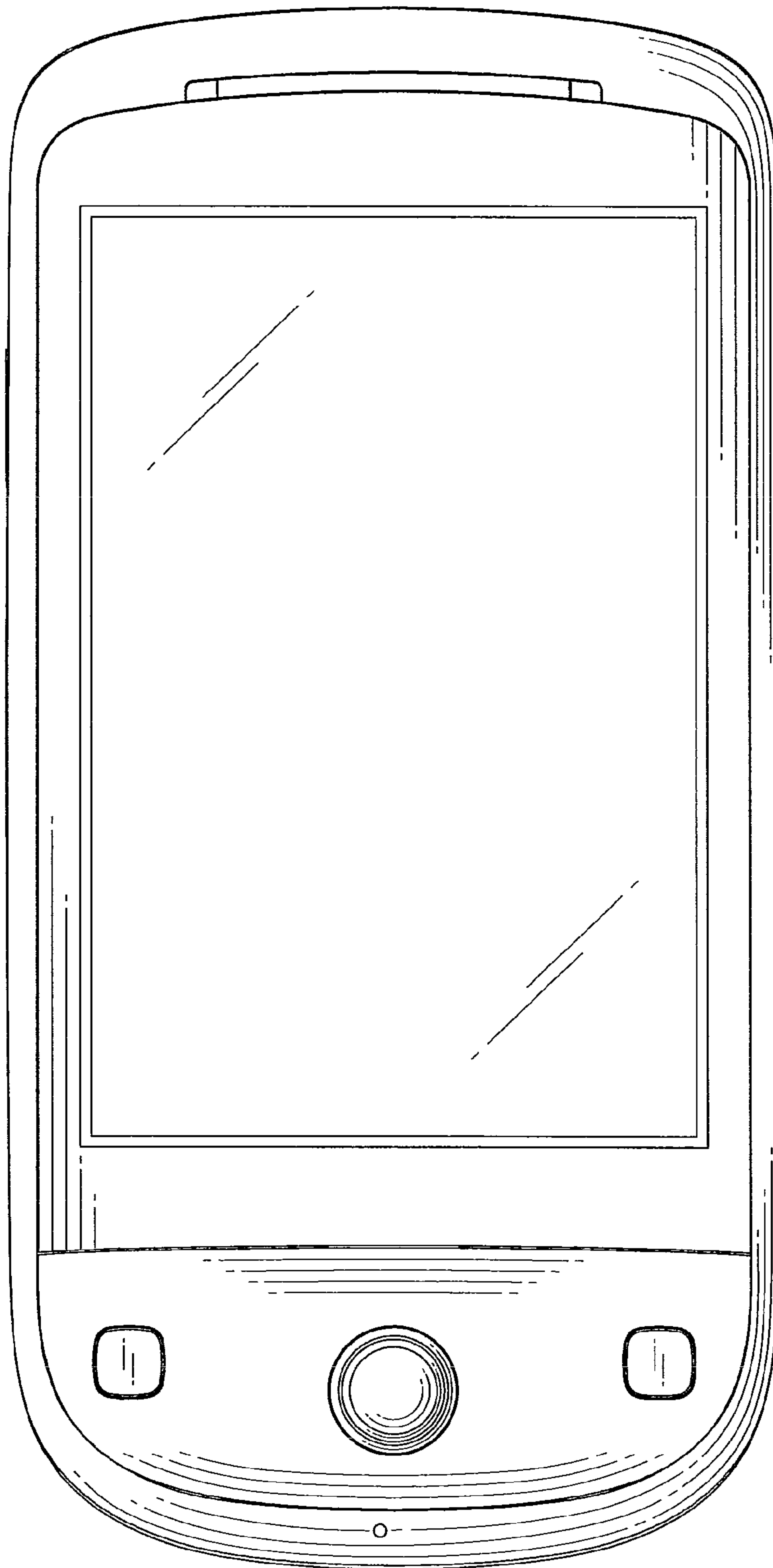


FIG. 2

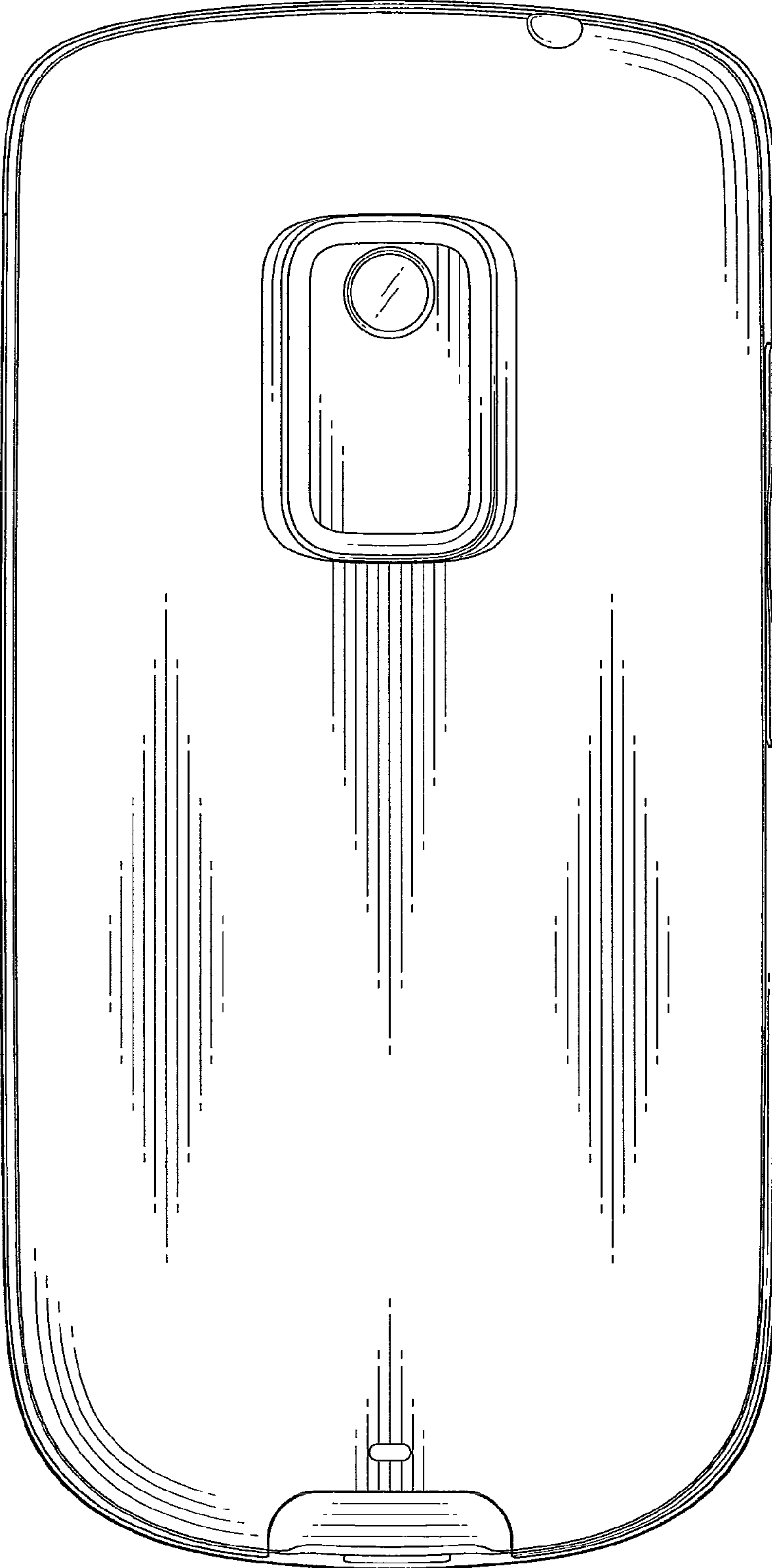


FIG. 3

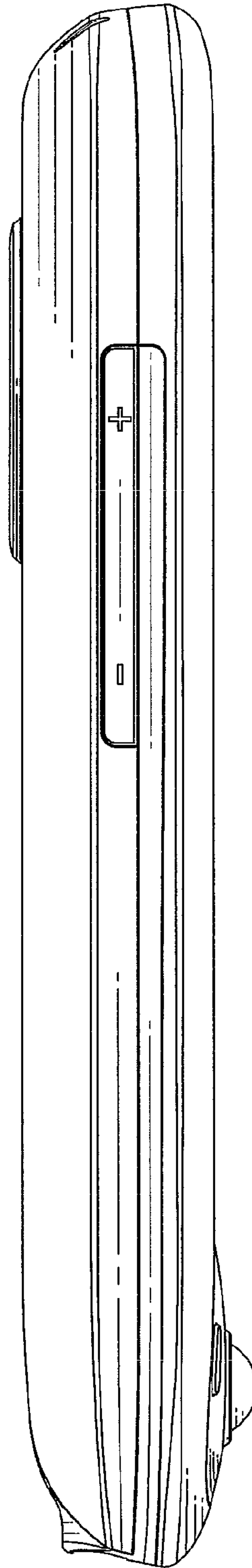


FIG. 4

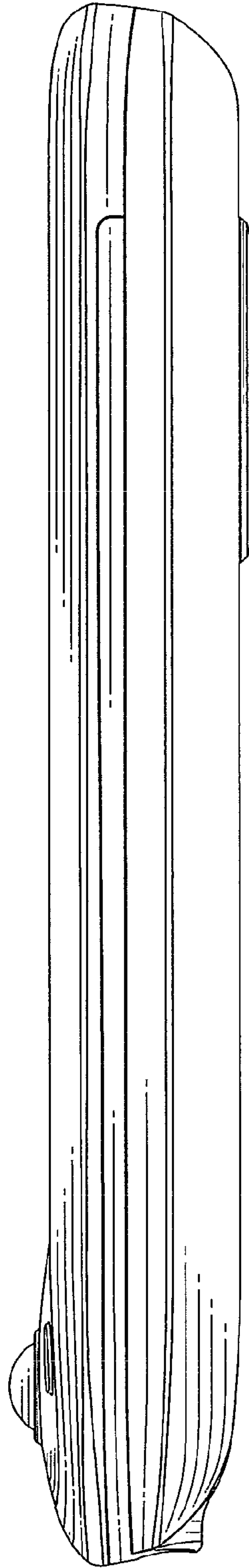


FIG. 5

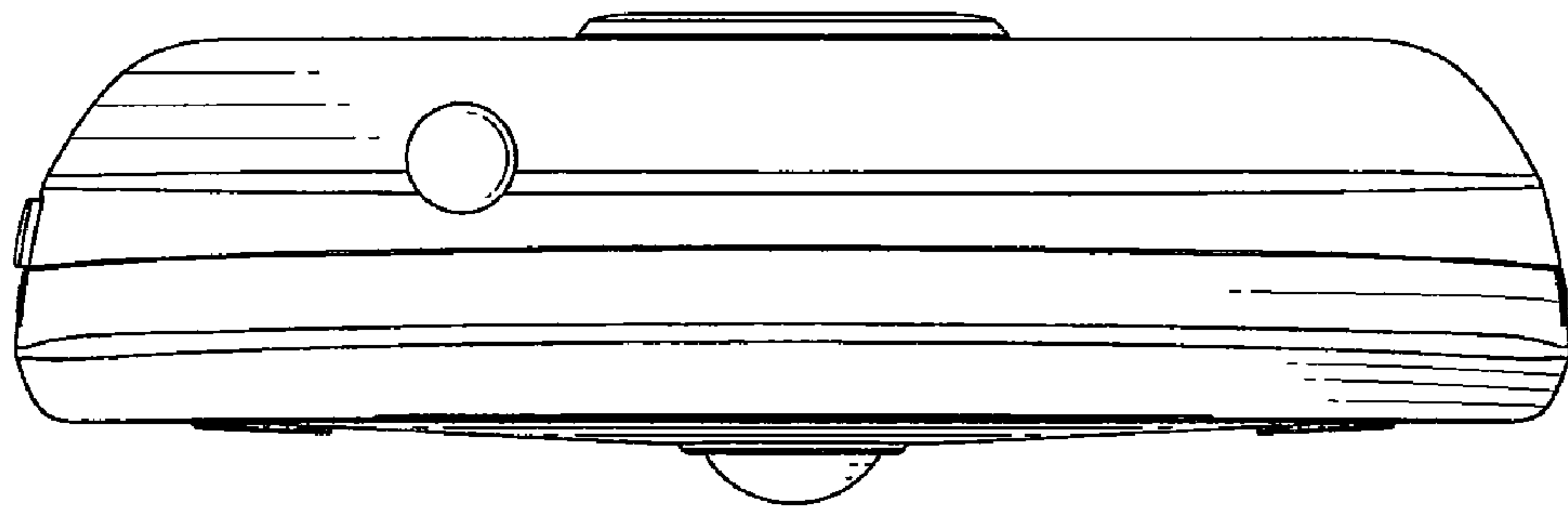


FIG. 6

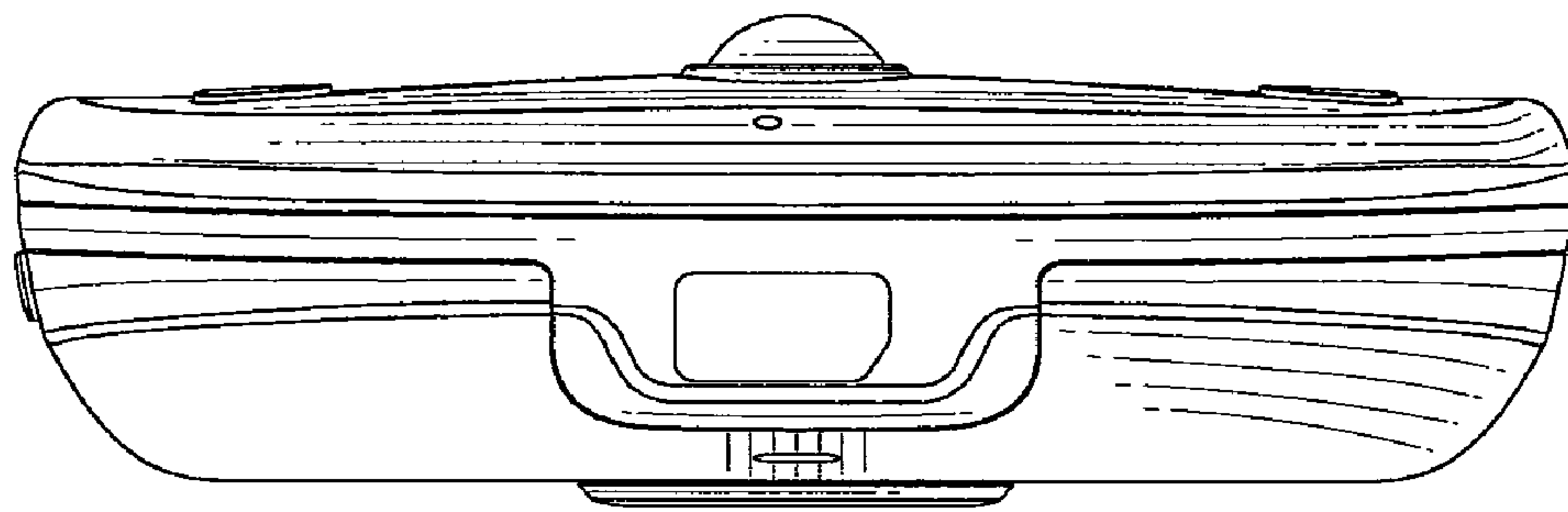


FIG. 7

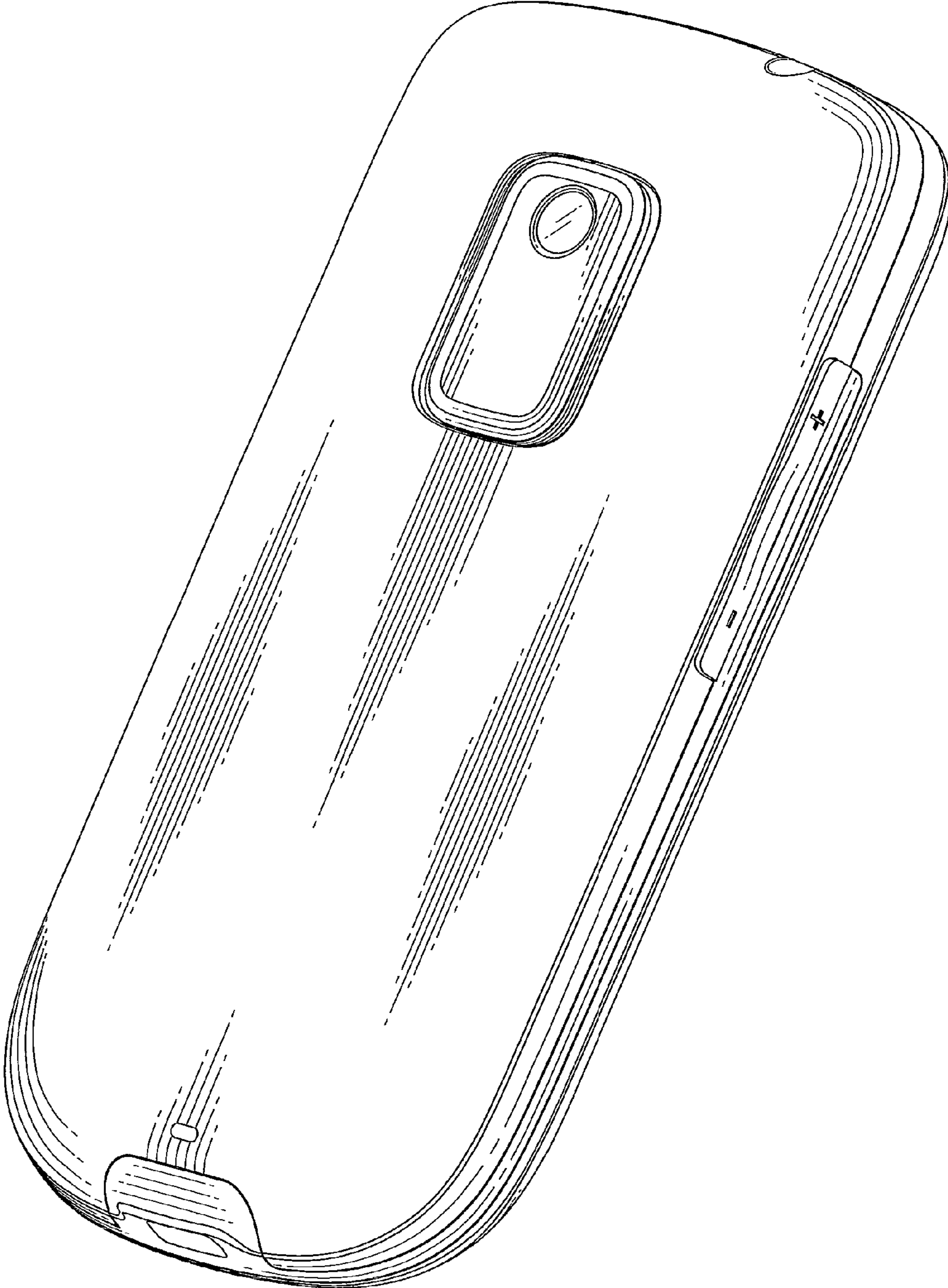


FIG. 8