



US00D615970S

(12) **United States Design Patent**
Morabito

(10) **Patent No.:** **US D615,970 S**
(45) **Date of Patent:** **** May 18, 2010**

- (54) **ELECTRONIC DEVICE**
- (75) Inventor: **Pascal Ito Morabito**, Paris (FR)
- (73) Assignee: **Deutsche Telekom AG** (DE)
- (**) Term: **14 Years**
- (21) Appl. No.: **29/329,708**
- (22) Filed: **Dec. 19, 2008**
- (51) **LOC (9) Cl.** **14-02**
- (52) **U.S. Cl.** **D14/341**
- (58) **Field of Classification Search** D14/341-347,
D14/137, 138, 138.1, 138 AA, 138 R, 138 AB,
D14/138 AC, 138 AD, 138 C, 138 G, 496,
D14/203.1, 203.3, 203.4, 203.5, 203.6, 203.7,
D14/426, 427, 428, 432, 429, 129, 130, 420,
D14/439-441, 448, 125, 147, 156, 218, 247-248,
D14/250, 389; D10/65, 104; D18/6-7; D21/29,
D21/686, 33, 324, 329, 330; D6/596, 601,
D6/605; D19/60; 455/556.1, 556.2, 566,
455/575.1, 575.3, 575.4, 90.3, 6.1; 379/433.04,
379/433.07, 433.11, 433.12, 433.13, 910,
379/916, 433.01, 433.06; 345/169, 901,
345/905; 348/169; 361/814; 341/122; 346/173
See application file for complete search history.

EM	898465-0001 S	6/2008
EM	898465-0002 S	6/2008
EM	898465-0003 S	6/2008
EM	898465-0004 S	6/2008
EM	898465-0005 S	6/2008
EM	898465-0006 S	6/2008
EM	898465-0007 S	6/2008
EM	898465-0008 S	6/2008
EM	898465-0009 S	6/2008
EM	898465-0010 S	6/2008
EM	898465-0011 S	6/2008
EM	898465-0012 S	6/2008
EM	898465-0013 S	6/2008
EM	902663-0005 S	7/2008
EM	1013874-0002 S	10/2008
EM	1013874-0004 S	10/2008

* cited by examiner

Primary Examiner—Cathron C Brooks
Assistant Examiner—Barbara Fox
(74) *Attorney, Agent, or Firm*—Lovells LLP

(57) **CLAIM**

The ornamental design for an electronic device, as shown and described.

DESCRIPTION

FIG. 1 is a perspective view from the front side of an electronic device showing the new design;
FIG. 2 is a perspective view from the rear side thereof;
FIG. 3 is a front view thereof;
FIG. 4 is a rear view thereof;
FIG. 5 is a top side view thereof;
FIG. 6 is a bottom side view thereof;
FIG. 7 is a left side view thereof; and,
FIG. 8 is a right side view thereof.

- (56) **References Cited**
- U.S. PATENT DOCUMENTS
- D492,323 S * 6/2004 Wang D14/203.7
- D548,733 S * 8/2007 Johansson D14/341
- D551,664 S * 9/2007 Lin et al. D14/341
- D569,373 S * 5/2008 Lee et al. D14/341
- D593,553 S * 6/2009 Okamoto et al. D14/341
- D601,105 S * 9/2009 Morabito D14/129

FOREIGN PATENT DOCUMENTS

DE 402008000099 S 3/2008

1 Claim, 8 Drawing Sheets

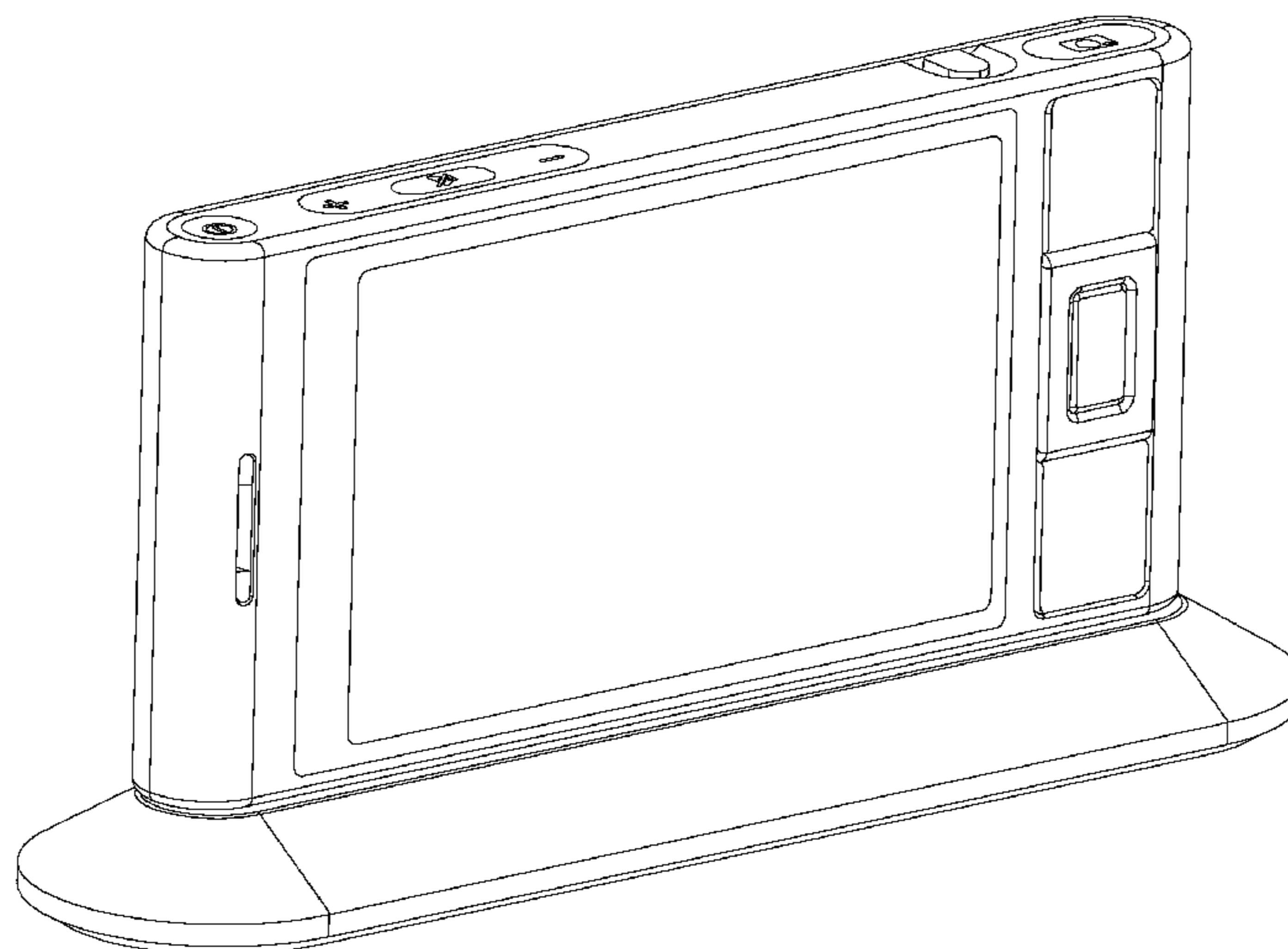


FIG. 1

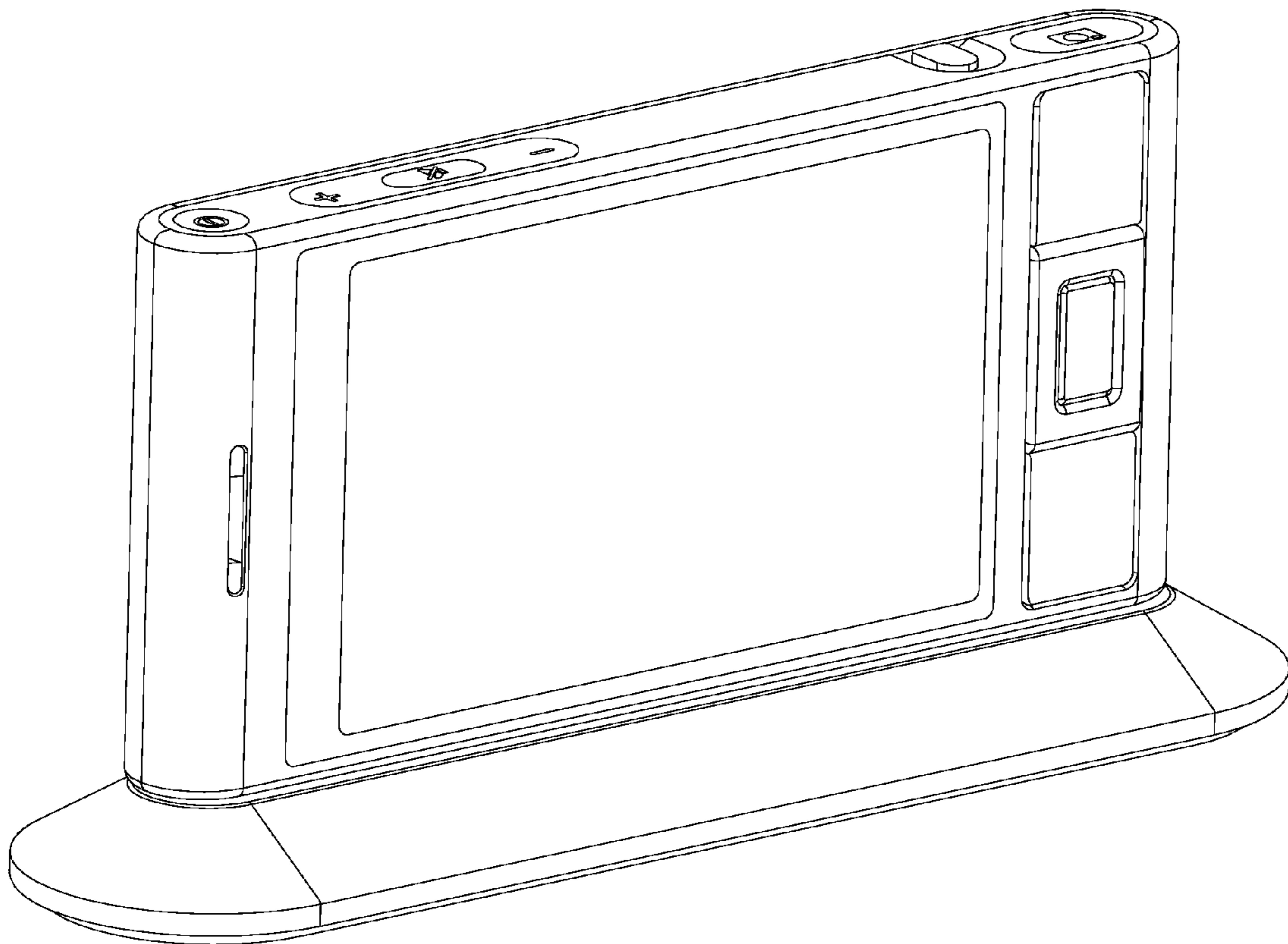


FIG. 2

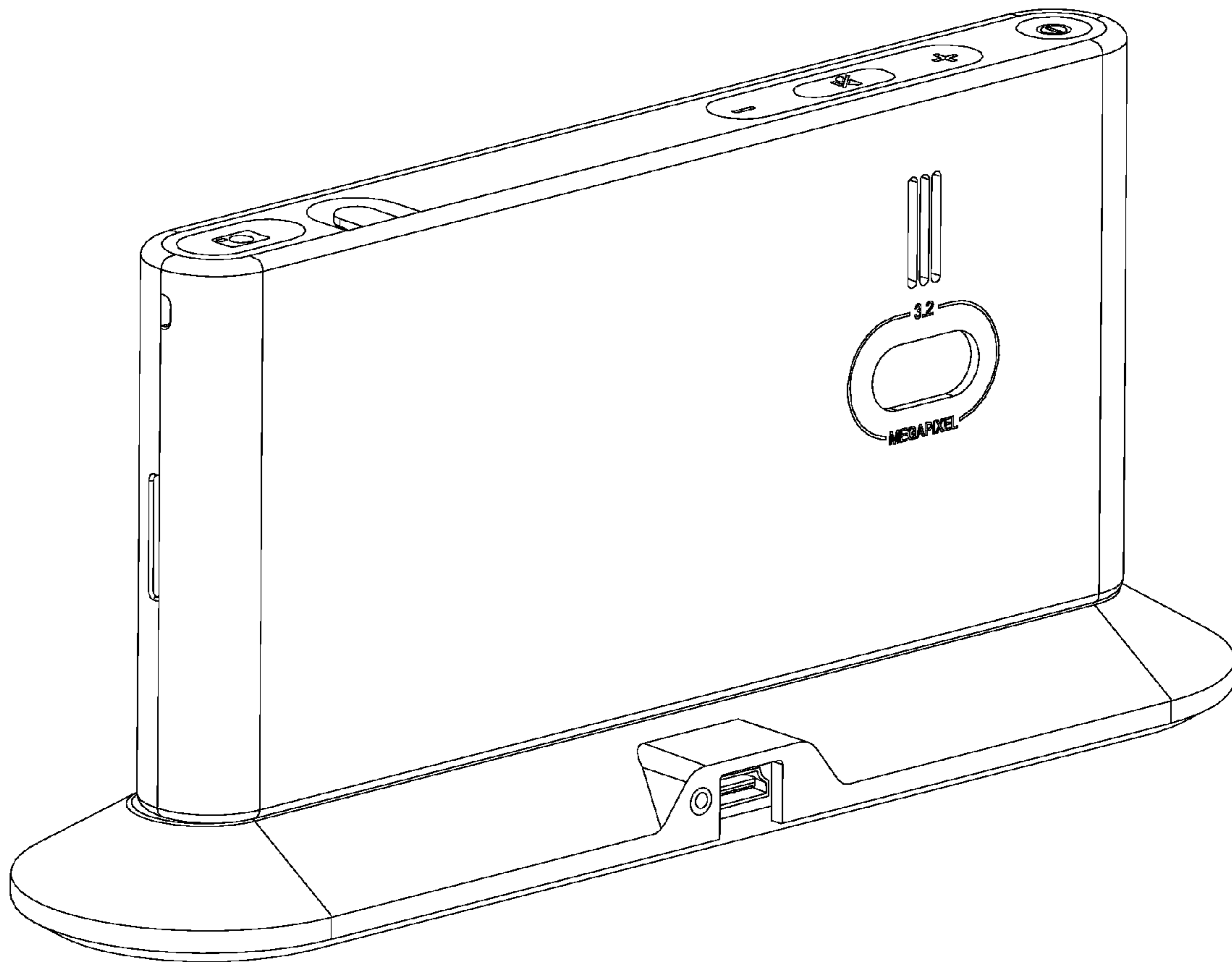


FIG. 3

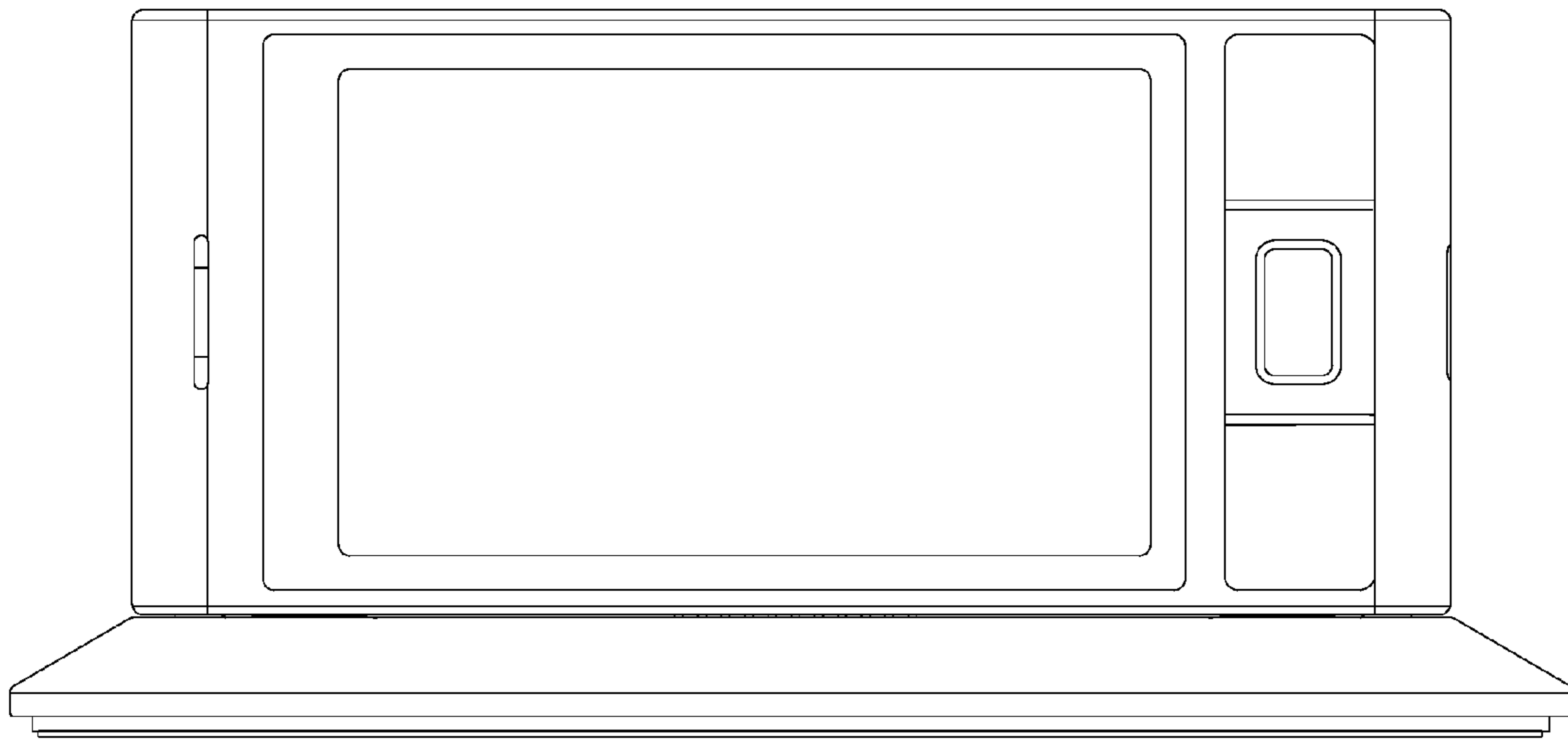


FIG. 4

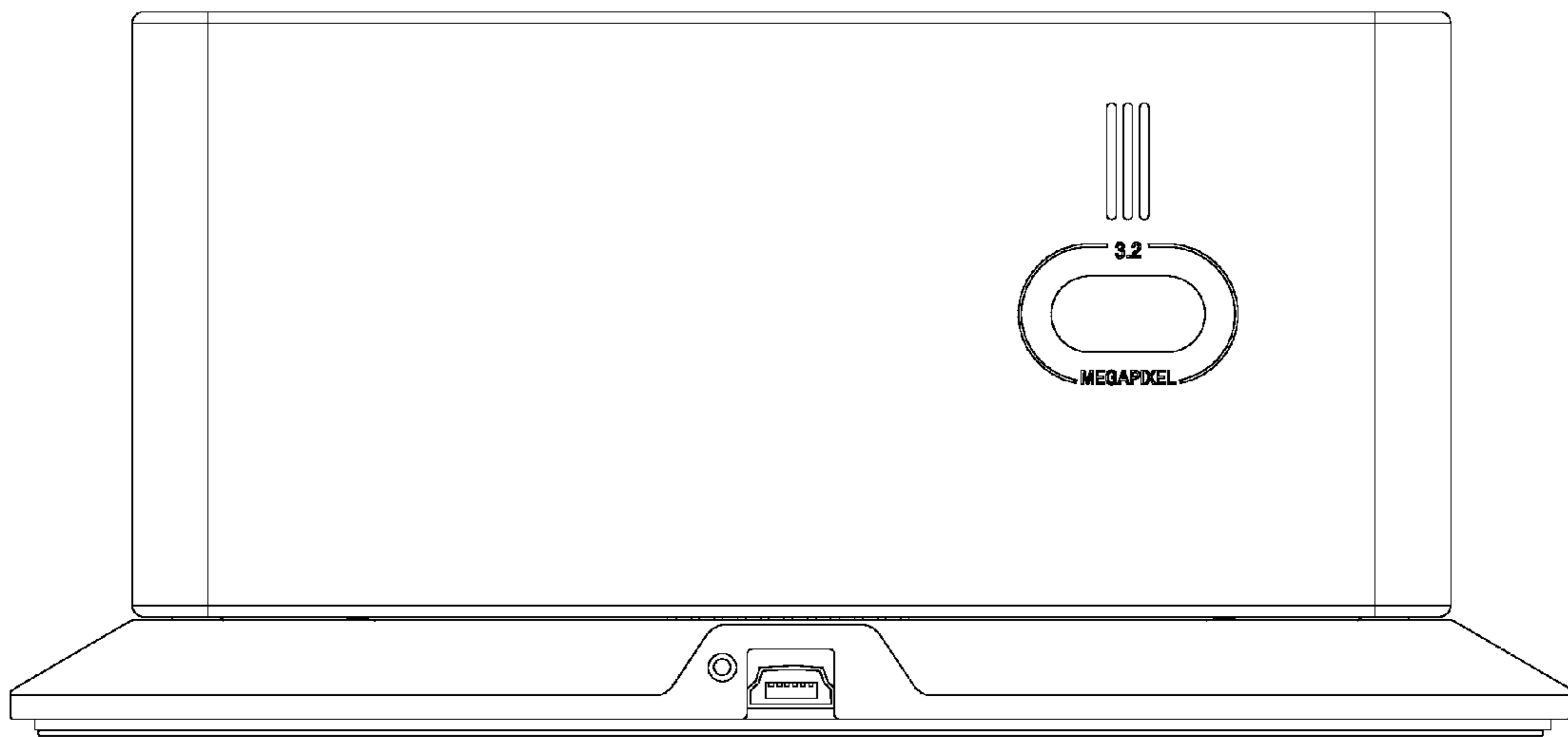


FIG. 5

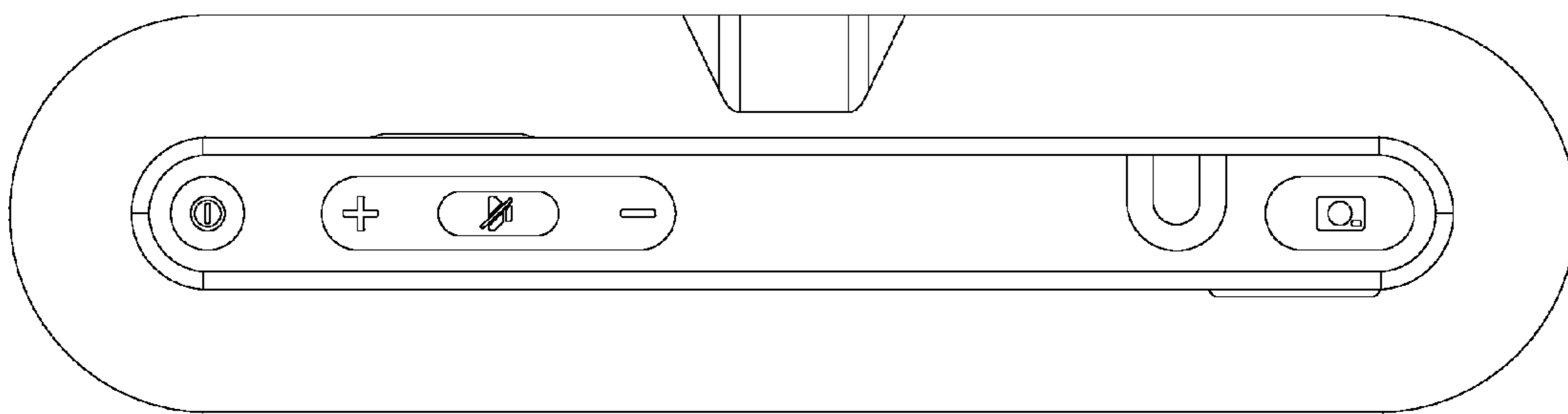


FIG. 6

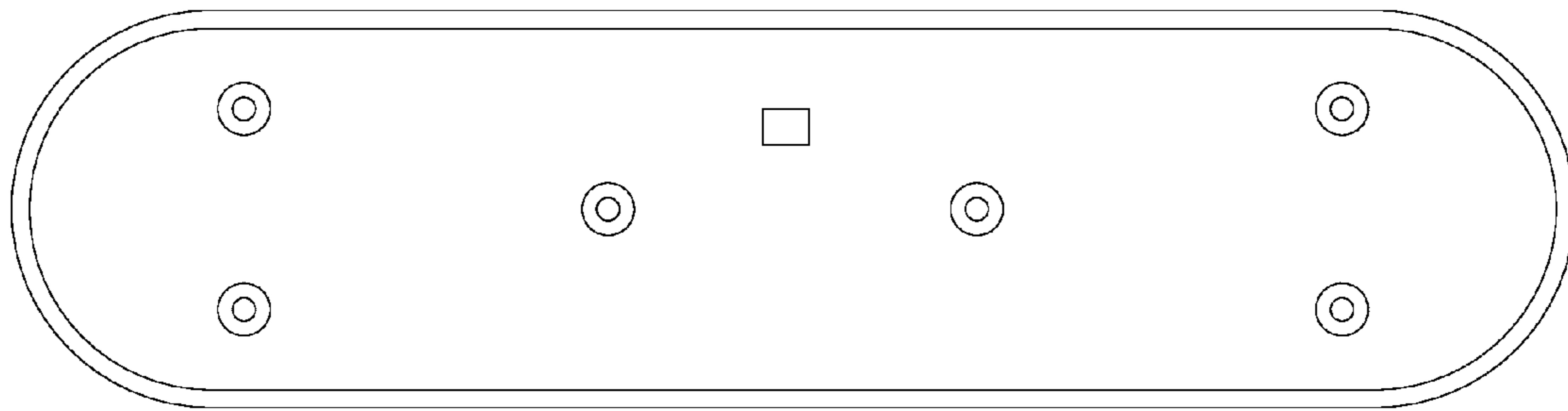


FIG. 7

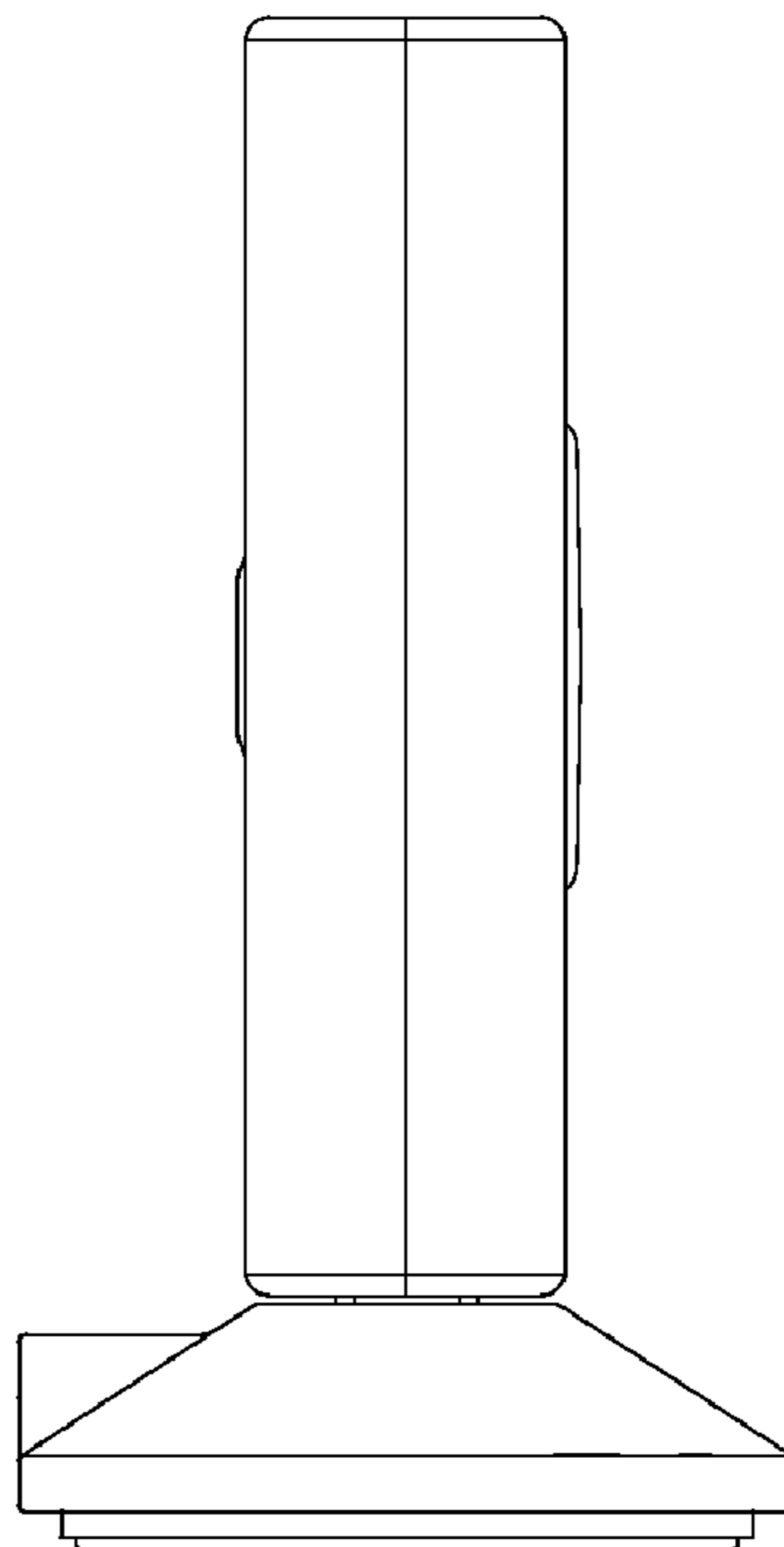


FIG. 8

