



US00D615958S

(12) **United States Design Patent**
Tkachuk et al.

(10) **Patent No.:** **US D615,958 S**
(45) **Date of Patent:** **** May 18, 2010**

(54) **COMBINED WIRELESS INTERNET PHONE AND CHARGER**

FOREIGN PATENT DOCUMENTS

(75) Inventors: **Steven Tkachuk**, Los Angeles, CA (US); **Tae-Hun Kim**, Seoul (KR); **Kyung-Hoon Lee**, Seoul (KR); **Sang-Sung Woo**, Seoul (KR); **Tai-Hyung Ju**, Seoul (KR)

WO DM/060792 * 6/2002

(73) Assignee: **Samsung Electronics Co., Ltd.**, Suwon (KR)

OTHER PUBLICATIONS

Philips DECT 2250, <URL:http://www.101phones.com/details/3172-4611/Philips-Extra-Handsets-DECT-2250.html>, retrieved from internet Dec. 18, 2009.*

(**) Term: **14 Years**

Primary Examiner—Robert M. Spear
Assistant Examiner—Carla Jobe Wright

(21) Appl. No.: **29/343,018**

(74) *Attorney, Agent, or Firm*—Staas & Halsey LLP.

(22) Filed: **Sep. 4, 2009**

(57) **CLAIM**

(30) **Foreign Application Priority Data**

The ornamental design for a combined wireless internet phone and charger, as shown and described.

Jun. 3, 2009 (KR) 30-2009-0024423

(51) **LOC (9) Cl.** **14-03**

DESCRIPTION

(52) **U.S. Cl.** **D14/148**

(58) **Field of Classification Search** D14/137, D14/138 R, 138 AA, 138 AB, 138 AD, 138 C, D14/138 G, 143-144, 147-148, 156, 218, D14/247-248, 341-347, 390, 399, 455-456, D14/496, 138 AC, 224, 149-150; D13/164, D13/168, 108; 320/108; D21/329, 331, D21/333, 517; 348/14.01-14.02; 361/814; 379/433.01-433.13, 428.01-428.02, 434, 379/451-452; 455/90.3, 556.1-556.2, 566, 455/575.1, 575.3, 575.4

FIG. 1 is a front perspective view of a combined wireless internet phone and charger;

FIG. 2 is a front view of the combined wireless internet phone and charger of FIG. 1;

FIG. 3 is a rear view of the combined wireless internet phone and charger of FIG. 1;

FIG. 4 is a left-side view of the combined wireless internet phone and charger of FIG. 1;

FIG. 5 is a right-side view of the combined wireless internet phone and charger of FIG. 1;

FIG. 6 is a top plan view of the combined wireless internet phone and charger of FIG. 1; and

FIG. 7 is a bottom plan view of the combined wireless internet phone and charger of FIG. 1; and,

FIG. 8 is an exploded front perspective view of the combined wireless internet phone and charger of FIG. 1.

See application file for complete search history.

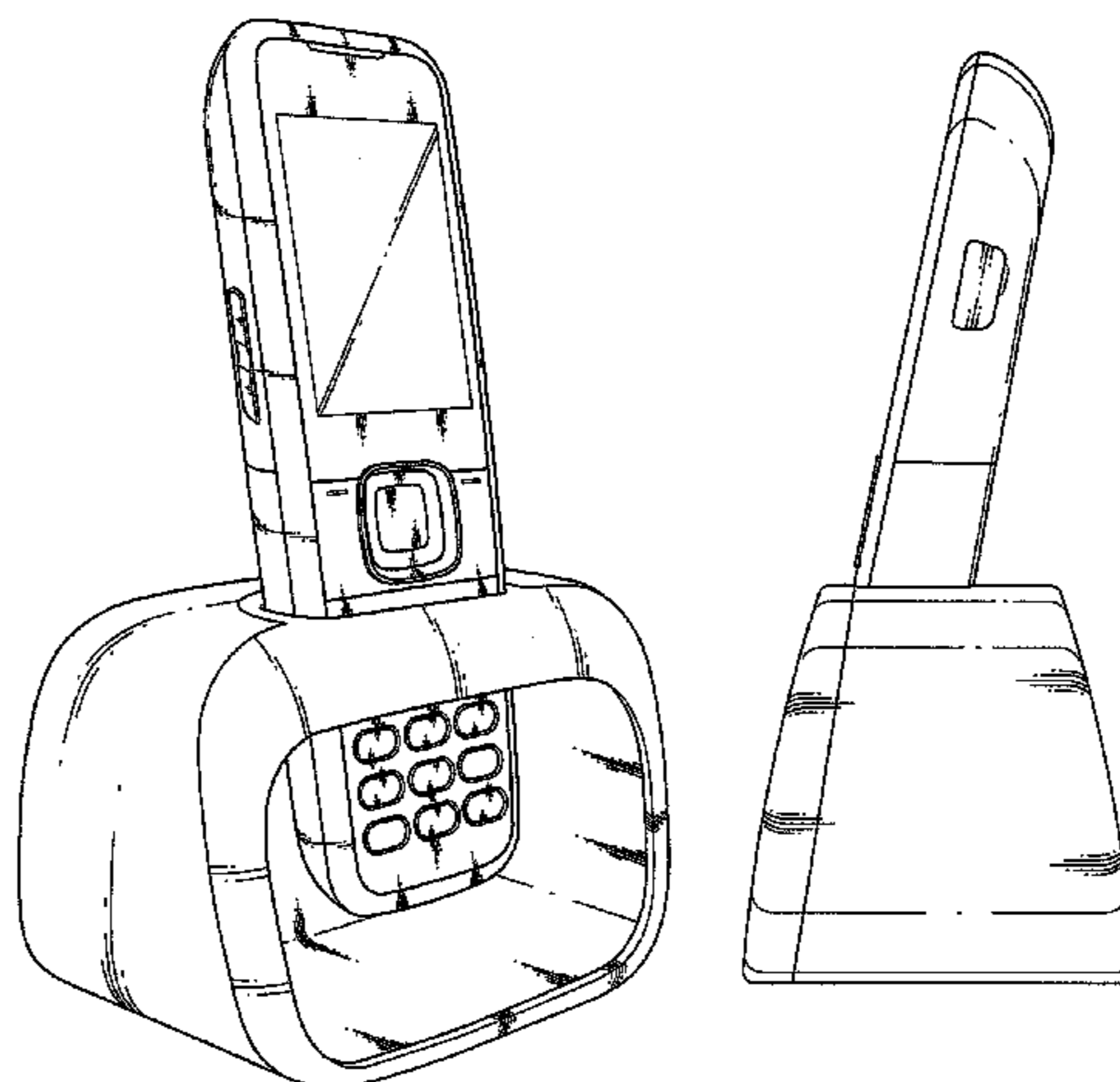
(56) **References Cited**

U.S. PATENT DOCUMENTS

D327,060 S * 6/1992 Wachob et al. D14/138 R
D335,878 S * 5/1993 Roegner D14/138 R
D353,371 S * 12/1994 Delhaes D14/149
D368,713 S * 4/1996 Tomlinson et al. D14/150

(Continued)

1 Claim, 5 Drawing Sheets



US D615,958 S

Page 2

U.S. PATENT DOCUMENTS

D373,124 S *	8/1996	Behar et al.	D14/148	D480,393 S *	10/2003	Toor et al.	D14/253
D380,752 S *	7/1997	Hanson	D14/144	D488,145 S *	4/2004	Abdelal	D14/144
D386,495 S *	11/1997	Schmoll	D14/149	D512,041 S *	11/2005	La Course	D14/149
D401,579 S *	11/1998	Benjamin et al.	D14/149	D571,775 S *	6/2008	Waterman et al.	D14/148
D414,490 S *	9/1999	Heinen et al.	D14/148	D583,354 S *	12/2008	Gonser et al.	D14/147
D433,991 S *	11/2000	Buchin et al.	D13/108	D585,052 S *	1/2009	Mamane et al.	D14/218
D451,498 S *	12/2001	Rossel	D14/218	D586,326 S *	2/2009	Hwang	D14/147
6,438,229 B1 *	8/2002	Overy et al.	379/446	D587,689 S *	3/2009	Hwang et al.	D14/218
D469,073 S *	1/2003	Muensch et al.	D14/149	2009/0267559 A1 *	10/2009	Toya et al.	320/108

* cited by examiner

FIG. 1

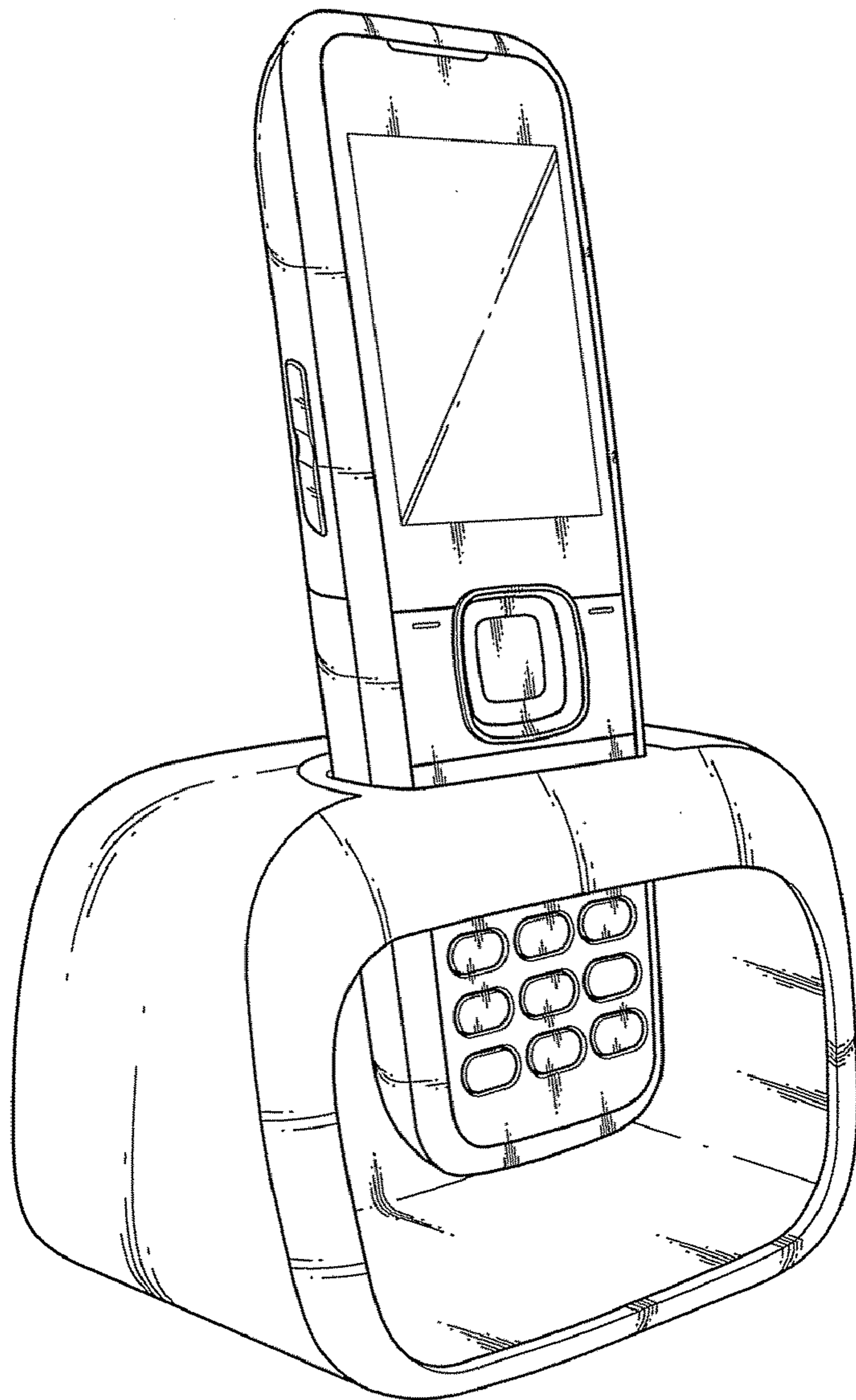


FIG. 2

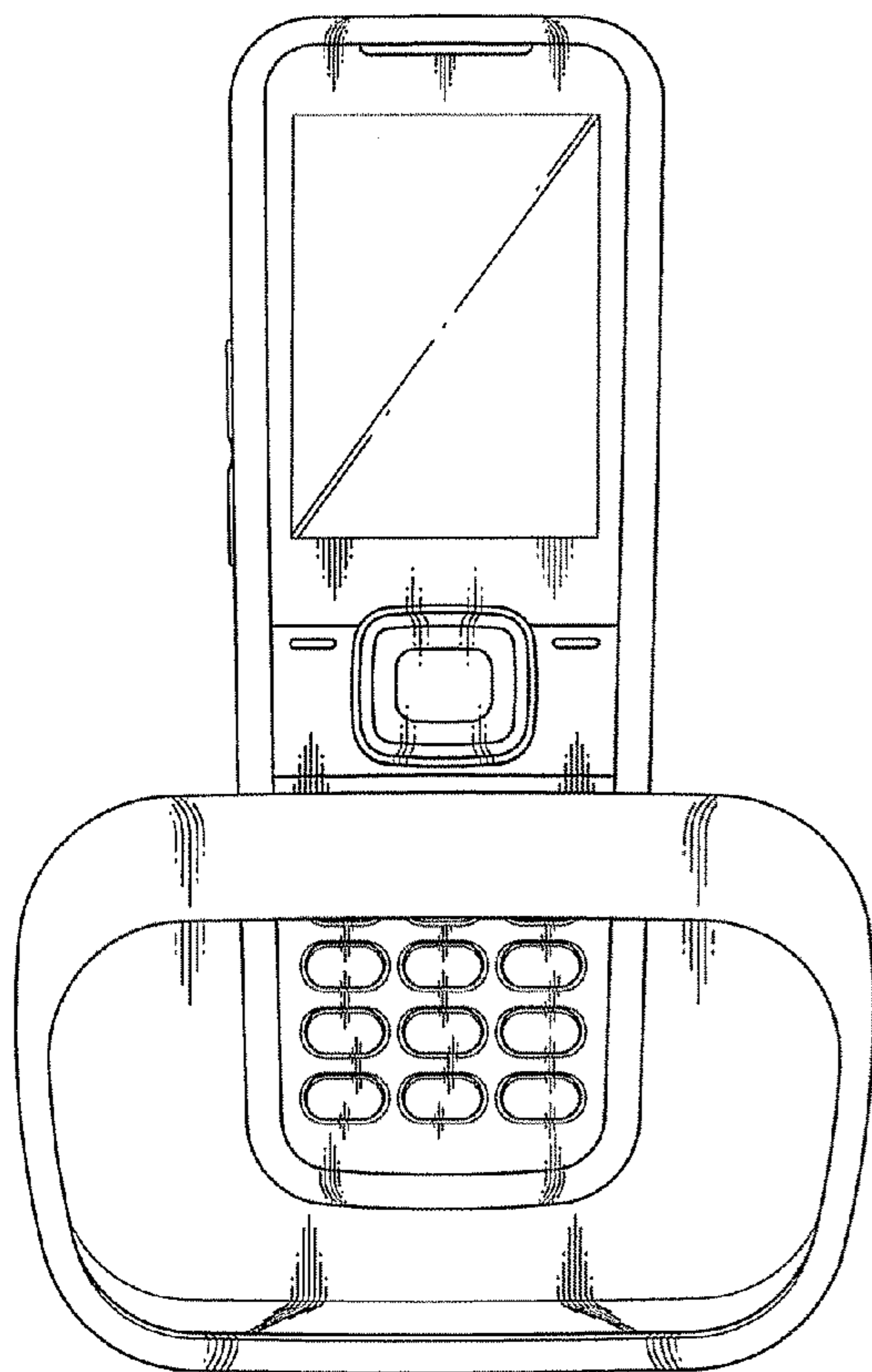


FIG. 3

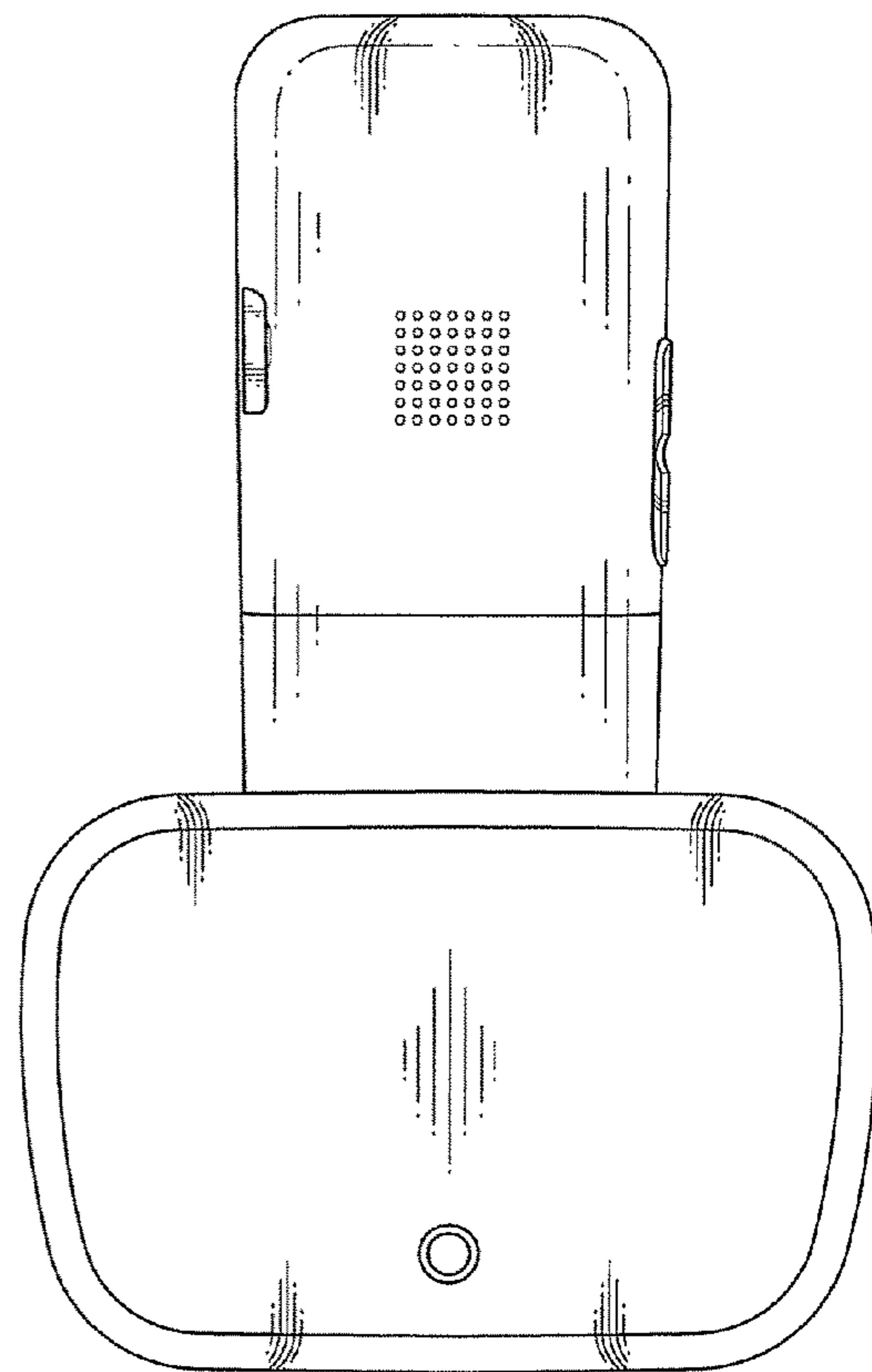


FIG. 4

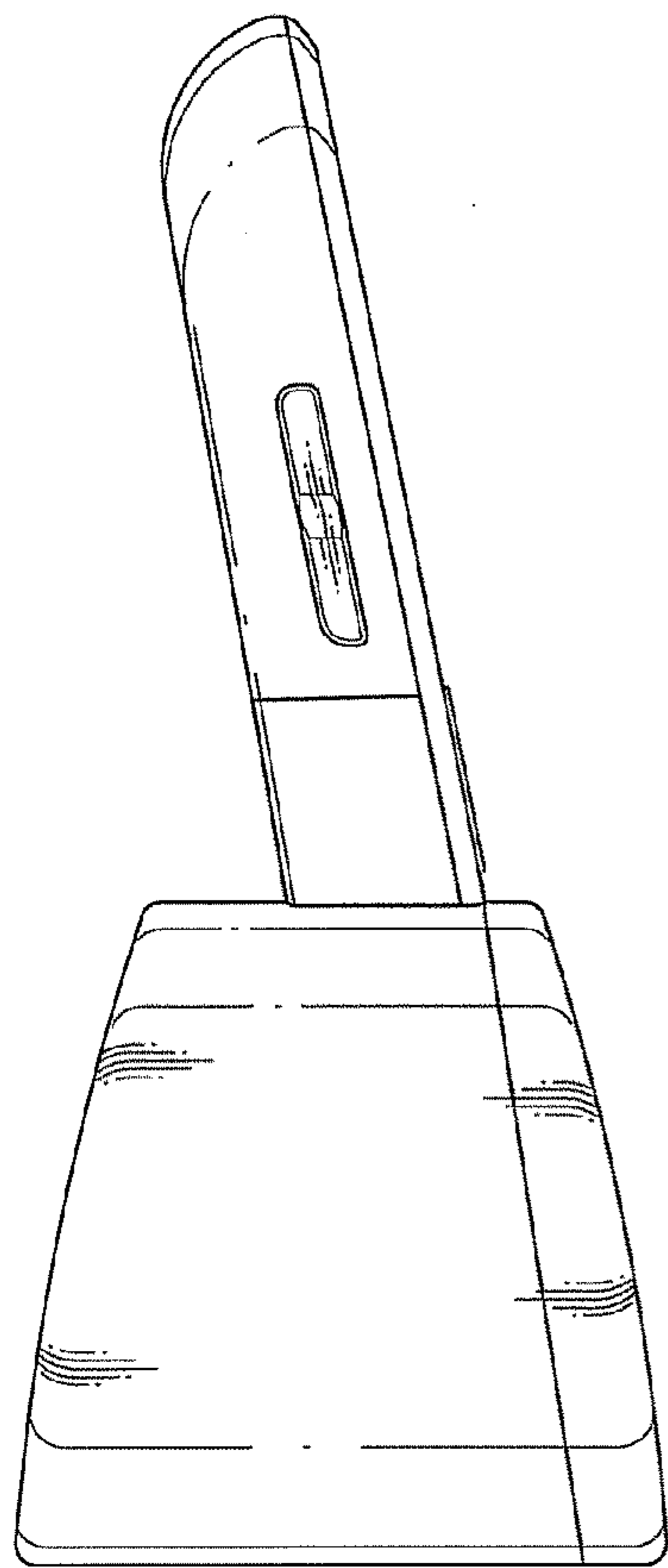


FIG. 5

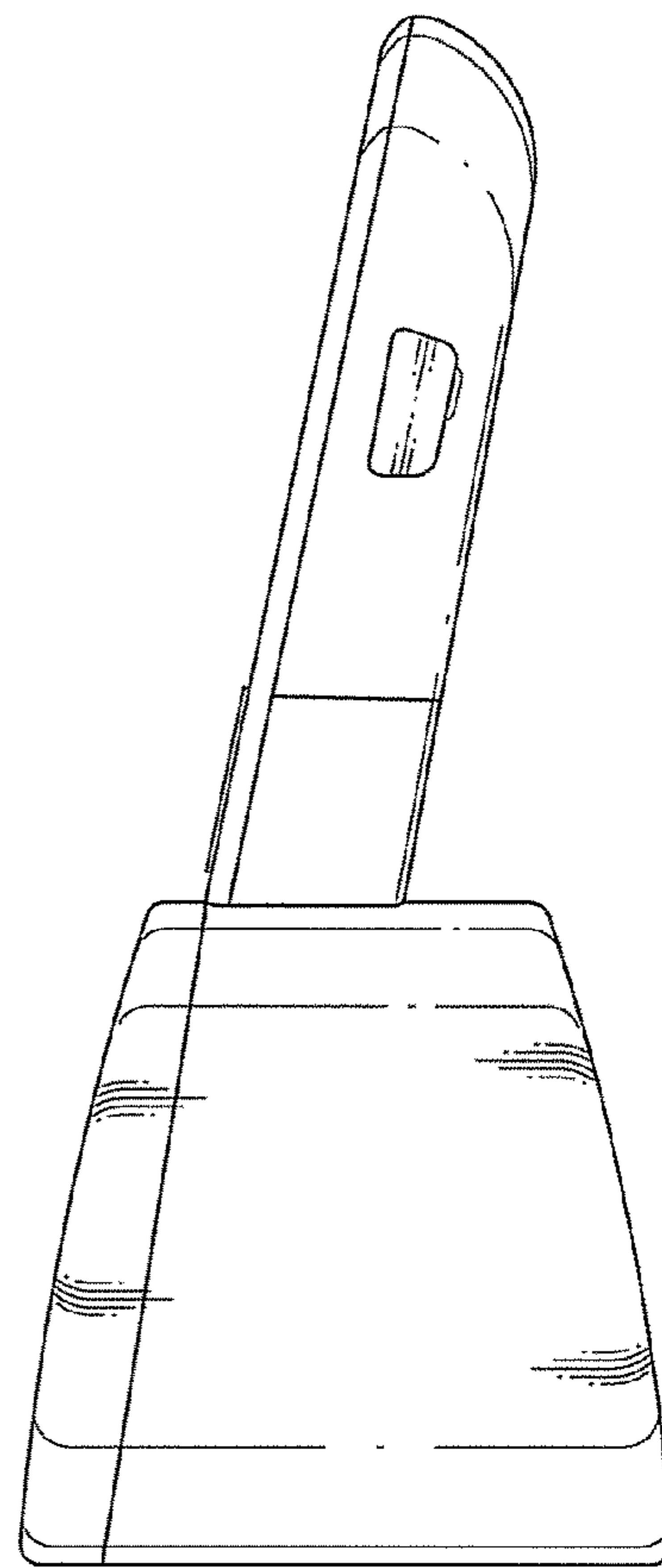


FIG. 6

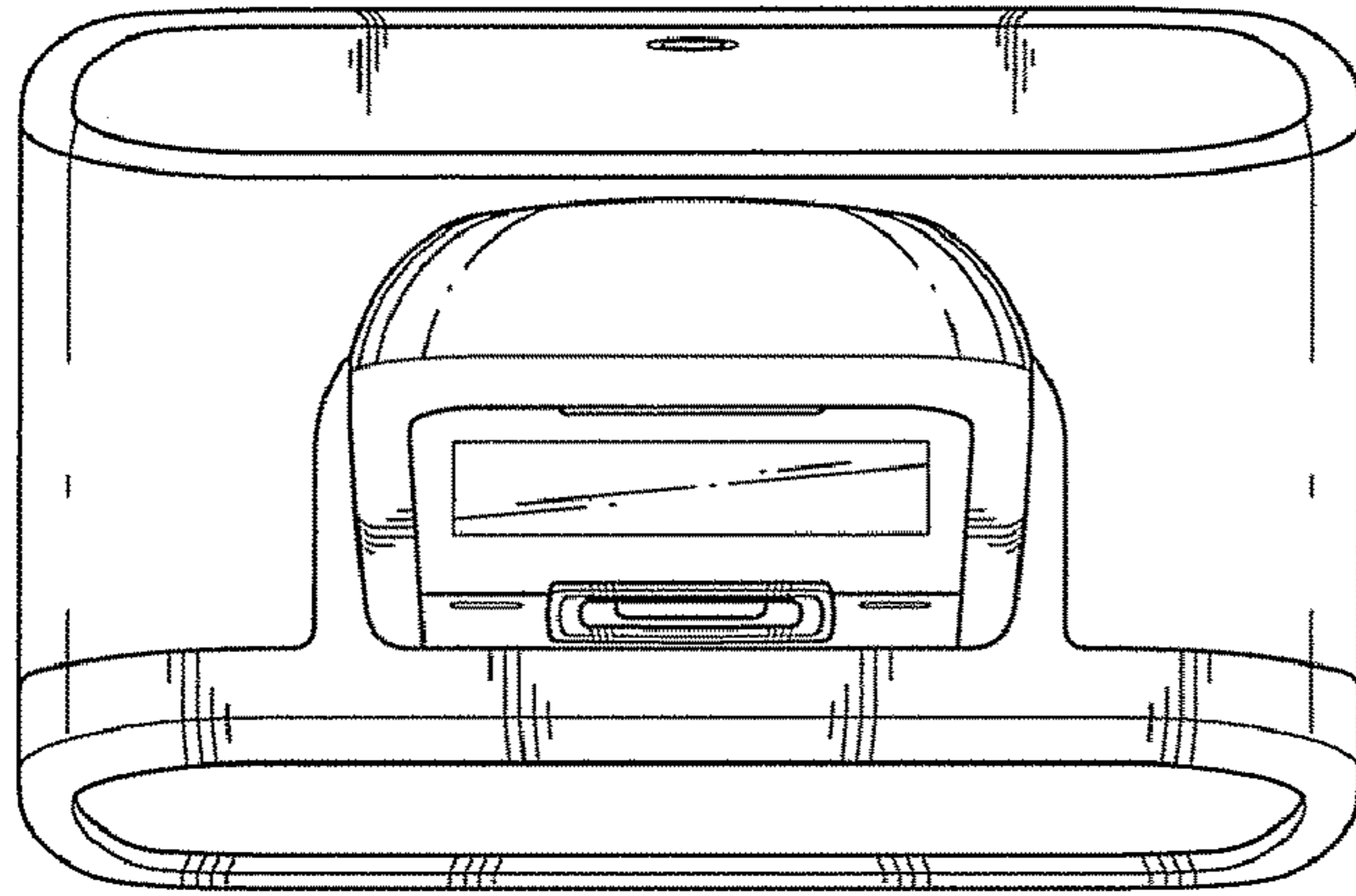


FIG. 7

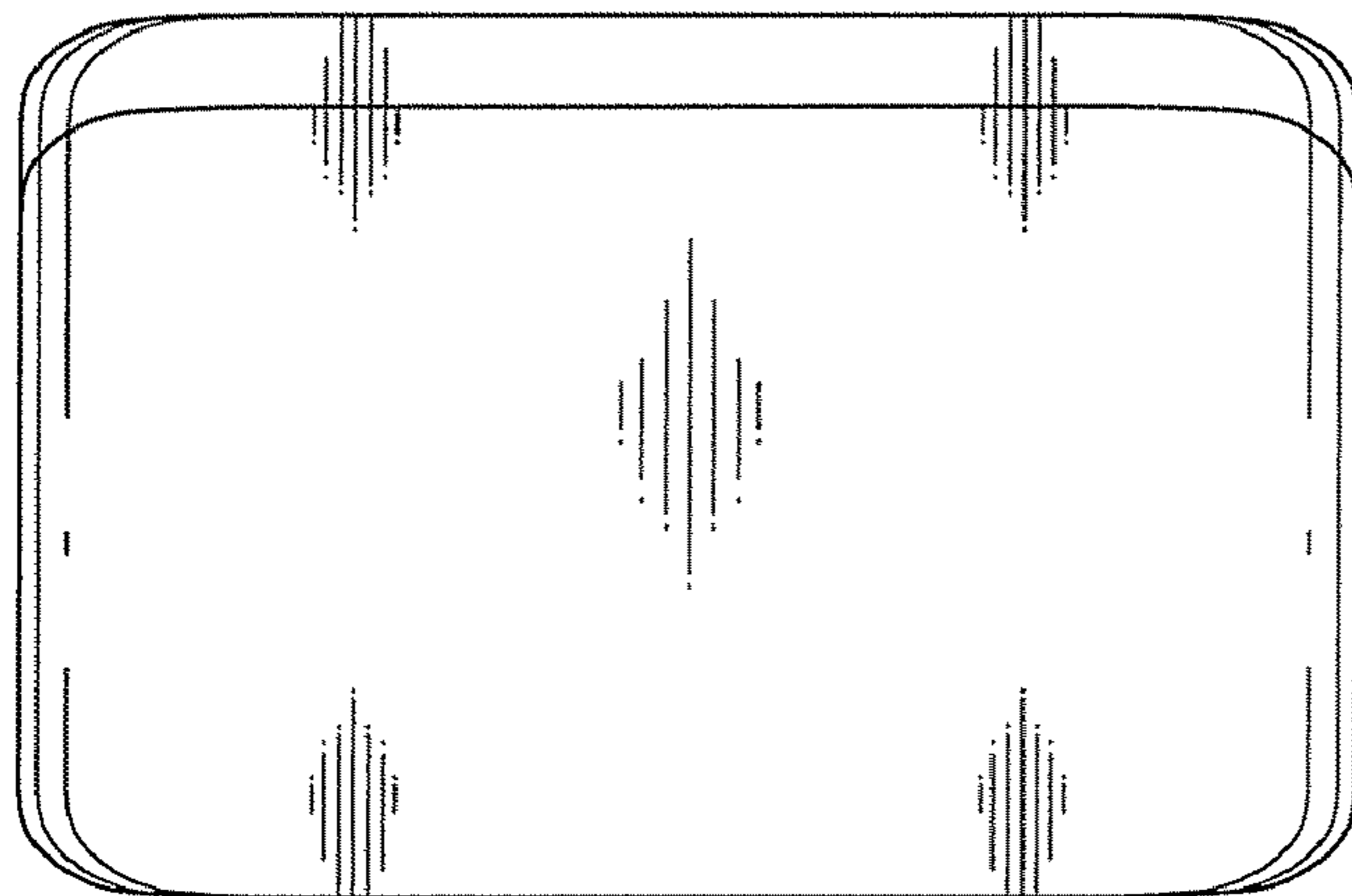


FIG. 8

