



US00D615956S

(12) **United States Design Patent**
Lin et al.

(10) **Patent No.:** **US D615,956 S**
(45) **Date of Patent:** **** May 18, 2010**

(54) **HANDHELD ELECTRONIC DEVICE**

(75) Inventors: **Yen-Hung Lin**, Taoyuan County (TW);
Fu-Long Hong, Taoyuan County (TW);
Yin-Yin Yang, Taoyuan County (TW)

(73) Assignee: **HTC Corporation**, Taoyuan (TW)

(**) Term: **14 Years**

(21) Appl. No.: **29/342,622**

(22) Filed: **Aug. 28, 2009**

(30) **Foreign Application Priority Data**

Jul. 31, 2009 (TW) 98303575

(51) **LOC (9) Cl.** **14-03**

(52) **U.S. Cl.** **D14/138 G; D14/341**

(58) **Field of Classification Search** D14/138 R,
D14/138 AD, 138 AC, 138 C, 138 G, 191,
D14/203.1–203.8, 496, 138 AA, 138 AB,
D14/247–248, 137, 147, 218, 341–347; D10/65,
D10/78, 104; D13/168; D18/7; 455/566,
455/575.1, 575.3

See application file for complete search history.

(56) **References Cited**

U.S. PATENT DOCUMENTS

D341,821 S * 11/1993 Savio D14/341
D354,478 S * 1/1995 Miyahara D14/345
6,675,027 B1 * 1/2004 Huang 455/575.1
6,781,575 B1 * 8/2004 Hawkins et al. 345/173
D526,301 S * 8/2006 Shin D14/138 AD
D526,302 S * 8/2006 Kim D14/138 AD
D528,526 S * 9/2006 Shin D14/138 AD
D548,213 S * 8/2007 Lee et al. D14/138 AC
D564,921 S * 3/2008 Cheng D10/65
D566,082 S * 4/2008 Kim et al. D14/138 AB
D576,618 S * 9/2008 Wong D14/341
D579,899 S * 11/2008 Park et al. D14/138 AD
D580,905 S * 11/2008 Park et al. D14/138 AD
D582,377 S * 12/2008 Kim et al. D14/138 AD
D585,044 S * 1/2009 Seo et al. D14/138 AD
D592,166 S * 5/2009 Song D14/138 AD
D601,538 S * 10/2009 Hong D14/138 G
D601,539 S * 10/2009 Hong D14/138 G

D601,990 S * 10/2009 Kim et al. D14/138 AD
D608,331 S * 1/2010 Kim et al. D14/138 AC
2003/0162560 A1 * 8/2003 Kaneko 455/550
2005/0190291 A1 * 9/2005 Kota et al. 348/376
2007/0232368 A1 * 10/2007 Feightner et al. 455/575.1
2008/0045279 A1 * 2/2008 Ohki 455/575.1
2008/0096616 A1 * 4/2008 Choi 455/575.1
2009/0061948 A1 * 3/2009 Lee et al. 455/566

OTHER PUBLICATIONS

HTC Smart, announced Jan. 2010, [online], [retrieved on Jan. 19, 2010]. Retrieved from Internet ,<URL: http://www.gsmarena.com>.*

LG GM310, announced Feb. 2009, [online], [retrieved on Feb. 2, 2007]. Retrieved from Internet ,<URL: http://www.gsmarena.com>.*

LG GM750, announced Sep. 2009, [online], [retrieved on Sep. 4, 2009]. Retrieved from Internet ,<URL: http://www.gsmarena.com>.*

* cited by examiner

Primary Examiner—Jeffrey D Asch

Assistant Examiner—Bridget L Eland

(74) *Attorney, Agent, or Firm*—Birch, Stewart, Kolasch & Birch, LLP

(57) **CLAIM**

The ornamental design for handheld electronic device, as shown and described.

DESCRIPTION

FIG. 1 is a front perspective view thereof;

FIG. 2 is a front side view thereof;

FIG. 3 is a rear side view thereof;

FIG. 4 is a left side view thereof;

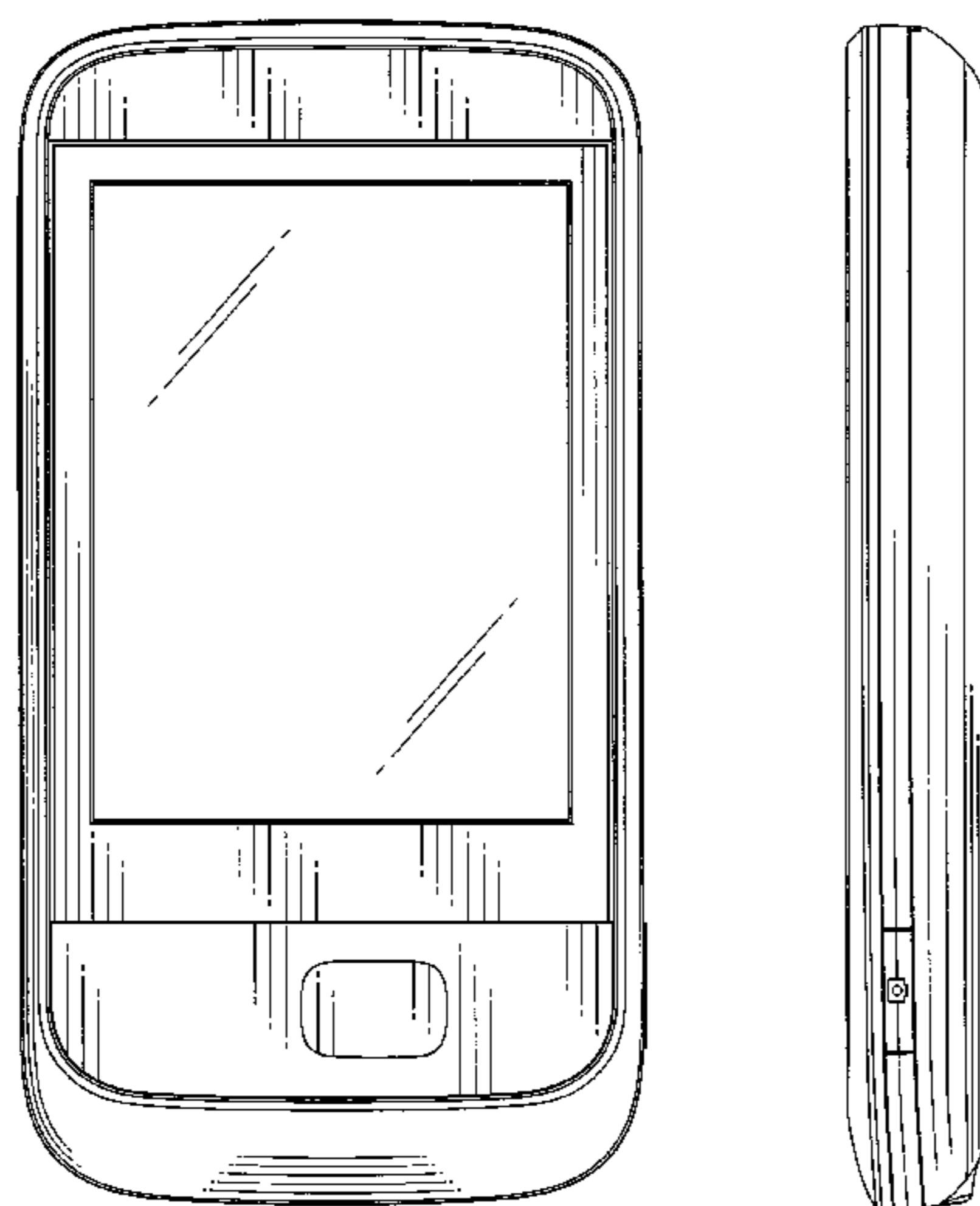
FIG. 5 is a right side view thereof;

FIG. 6 is a top plane view thereof;

FIG. 7 is a bottom plane view thereof; and,

FIG. 8 is a rear perspective view thereof.

1 Claim, 8 Drawing Sheets



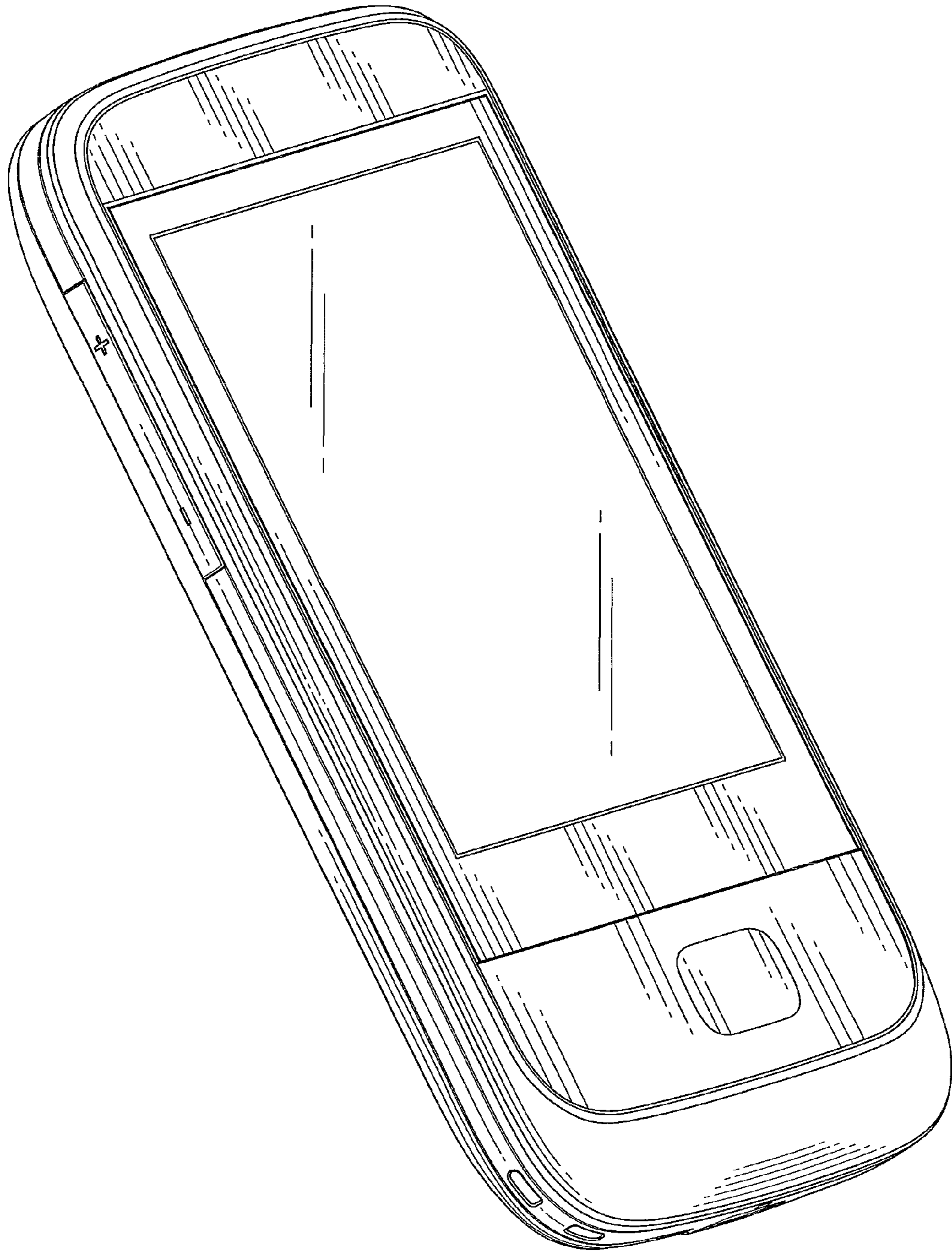


FIG. 1

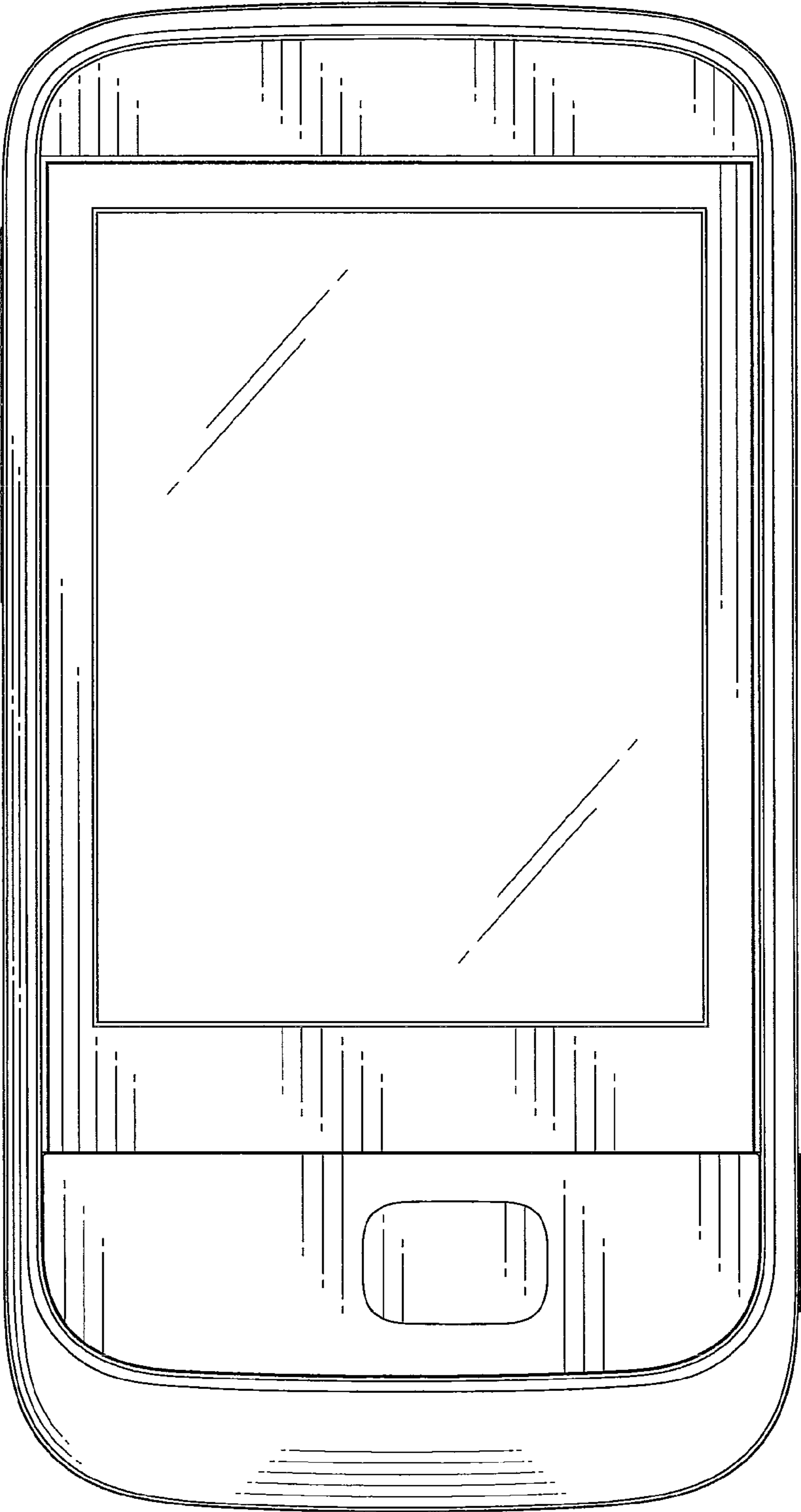


FIG. 2

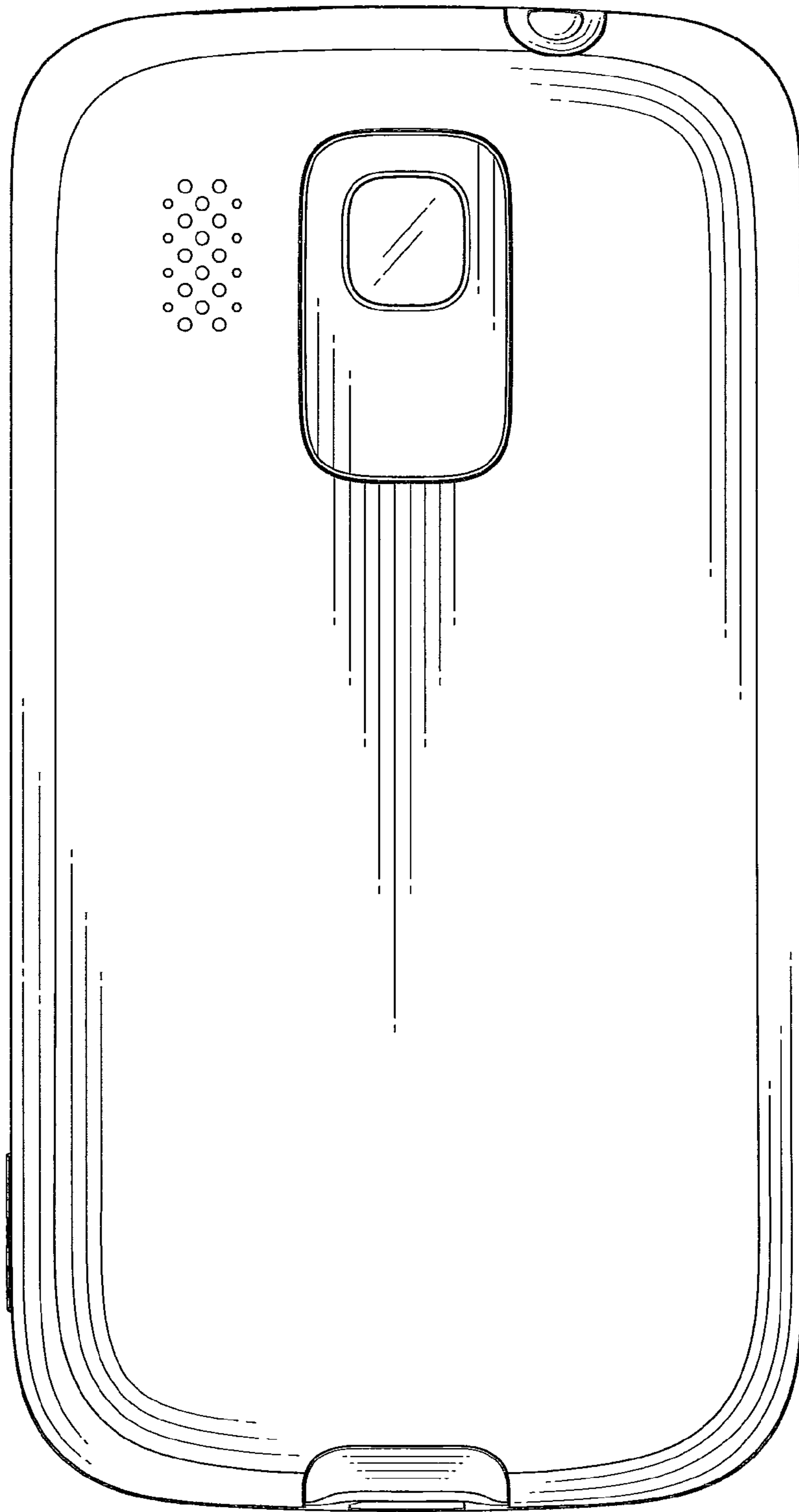


FIG. 3

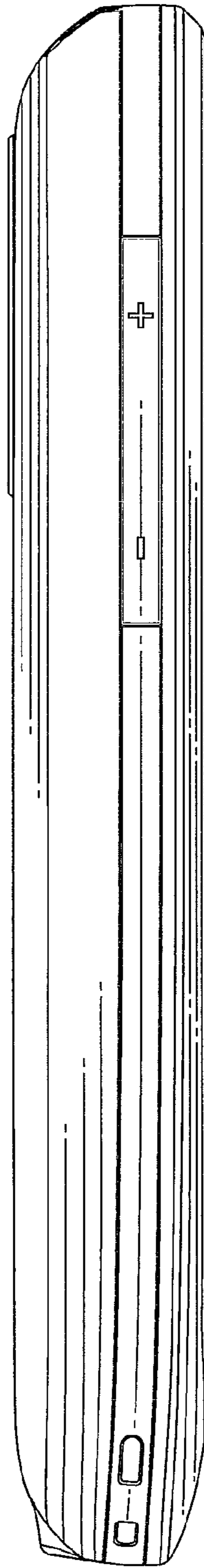


FIG. 4

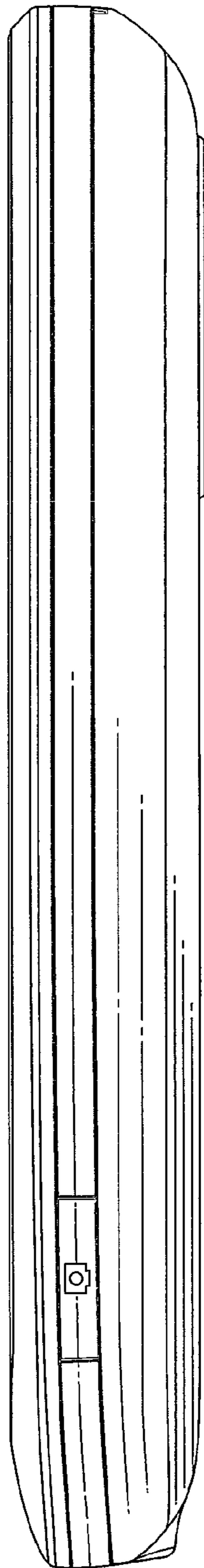


FIG. 5

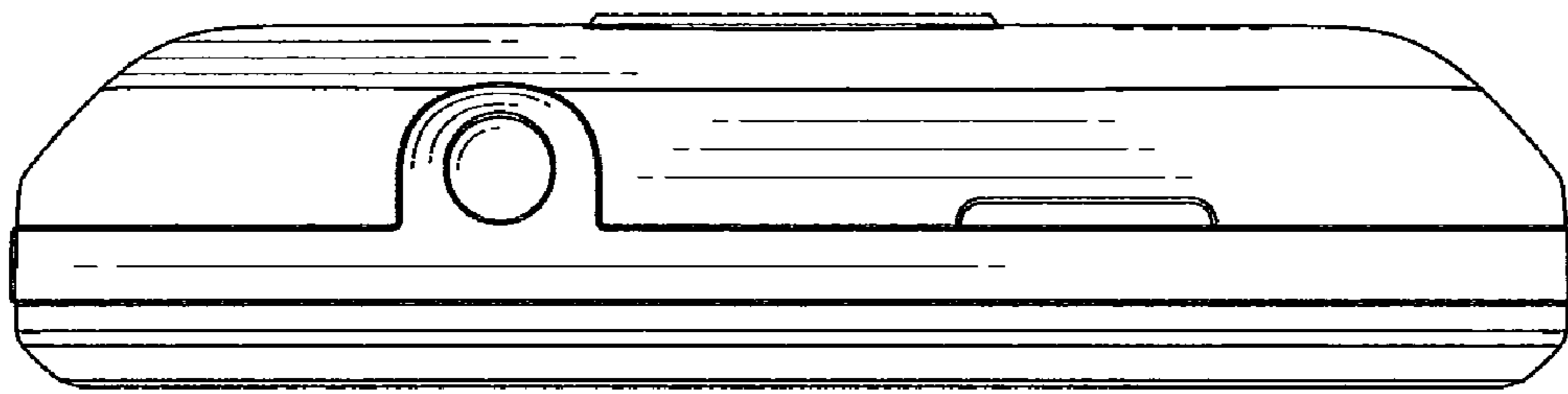


FIG. 6

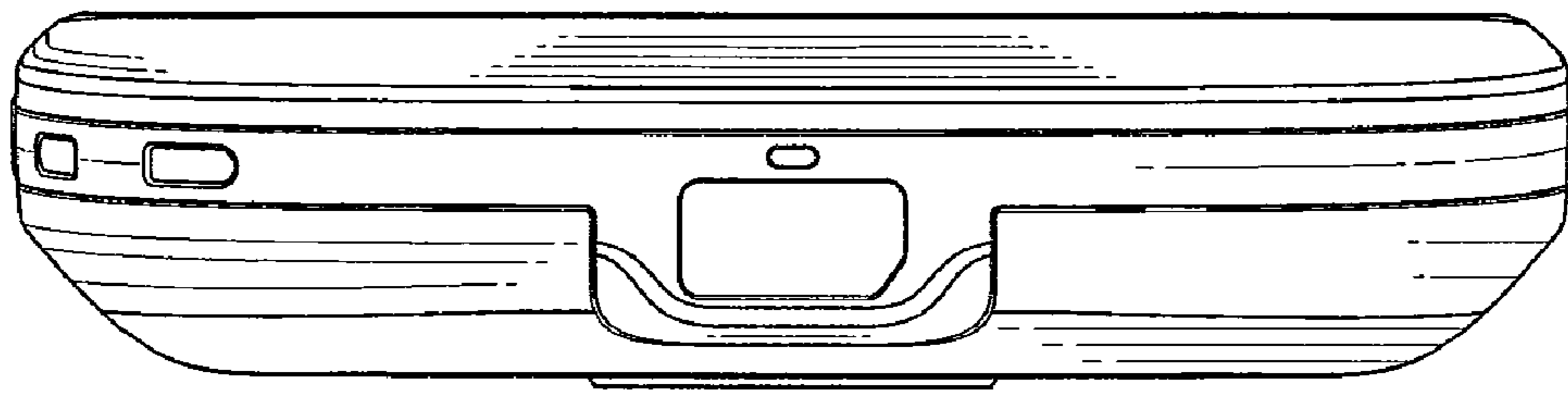


FIG. 7

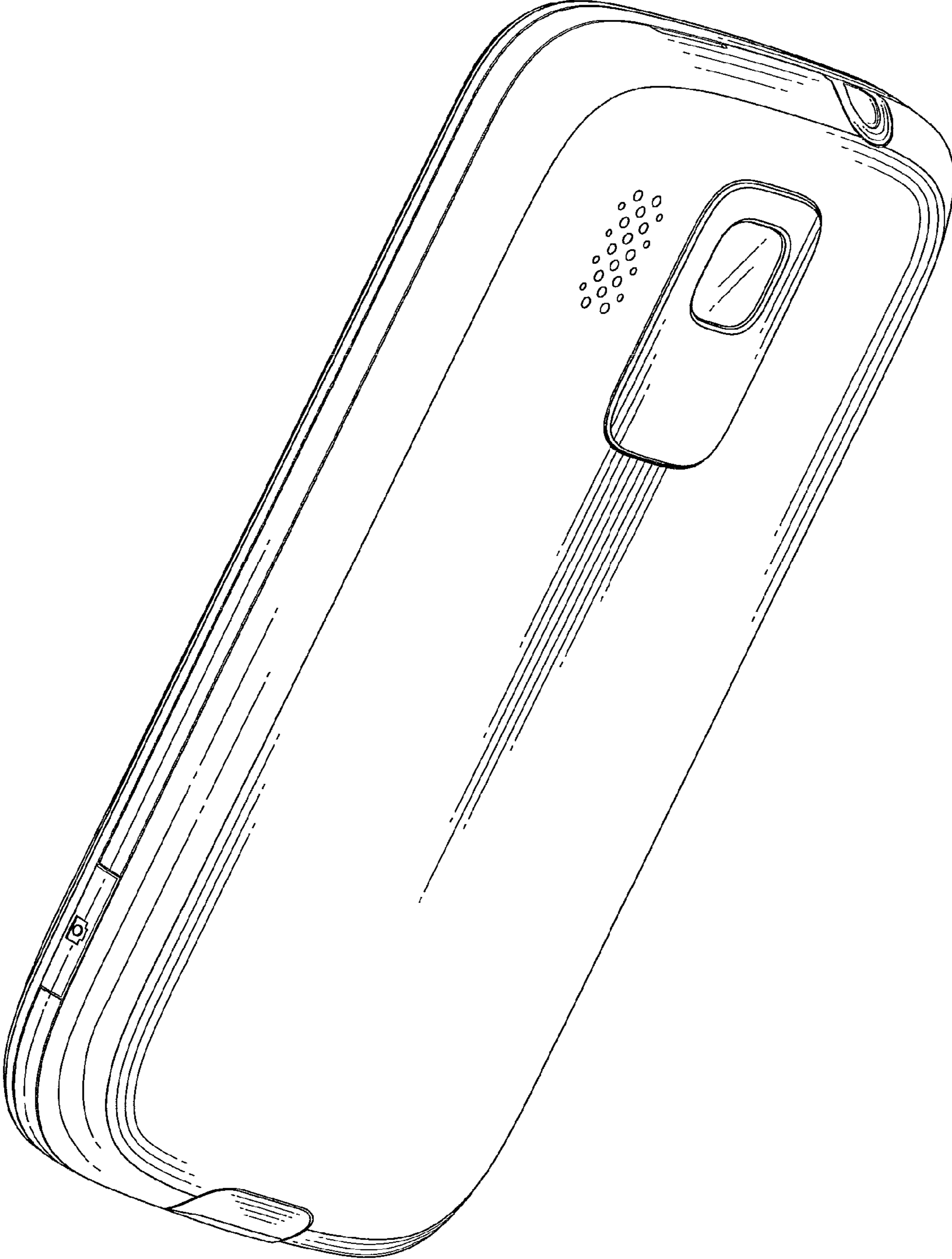


FIG. 8