



US00D615952S

(12) **United States Design Patent**
Kim et al.

(10) **Patent No.:** **US D615,952 S**

(45) **Date of Patent:** **** May 18, 2010**

(54) **MOBILE PHONE**

(75) Inventors: **Hak-Do Kim**, Seoul (KR); **Young-Keun Lee**, Seoul (KR); **Chang-Hwan Hwang**, Goyang-si (KR)

(73) Assignee: **Samsung Electronics Co., Ltd**, Suwon (KR)

(**) Term: **14 Years**

(21) Appl. No.: **29/342,058**

(22) Filed: **Aug. 18, 2009**

(30) **Foreign Application Priority Data**

Jun. 2, 2009 (KR) 30-2009-0024061

(51) **LOC (9) Cl.** **14-03**

(52) **U.S. Cl.** **D14/138 AA; D14/346; D14/138 AD**

(58) **Field of Classification Search** D14/138 AA, D14/138 R, 138 AD, 138 AB, 341-347, 147, D14/496, 203.3, 203.4, 203.7; 455/575.1, 455/575.4, 556.2

See application file for complete search history.

(56) **References Cited**

U.S. PATENT DOCUMENTS

6,438,227 B1 *	8/2002	Kretsch	379/433.02
D468,280 S *	1/2003	Kim et al.	D14/138 AA
D493,778 S *	8/2004	Walliser et al.	D14/138 AA
D498,735 S *	11/2004	Chen et al.	D14/138 AA
D502,945 S *	3/2005	Huang et al.	D14/341
D505,950 S *	6/2005	Summit et al.	D14/341
D524,786 S *	7/2006	Paradise et al.	D14/138 AA
D531,156 S *	10/2006	Ahn et al.	D14/138 C
D539,775 S *	4/2007	Park et al.	D14/138 AA
D543,179 S *	5/2007	Ban Den Nieuwenhuizen et al.	D14/138 AA

D543,193 S *	5/2007	Chung et al.	D14/138 AD
D548,216 S *	8/2007	Pan et al.	D14/138 AA
D552,647 S *	10/2007	Bai	D16/202
D559,222 S *	1/2008	Chen	D14/138 AA
D561,199 S *	2/2008	Morisawa	D14/496
D564,499 S *	3/2008	Ohta	D14/218

(Continued)

FOREIGN PATENT DOCUMENTS

KR 3003673600000 * 11/2004

OTHER PUBLICATIONS

Samsung F520 telephone, announced Feb. 2007, [online], [site visited Dec. 16, 2009]. Available from Internet, <URL: <http://www.gsmarena.com>>.*

(Continued)

Primary Examiner—Jeffrey D Asch

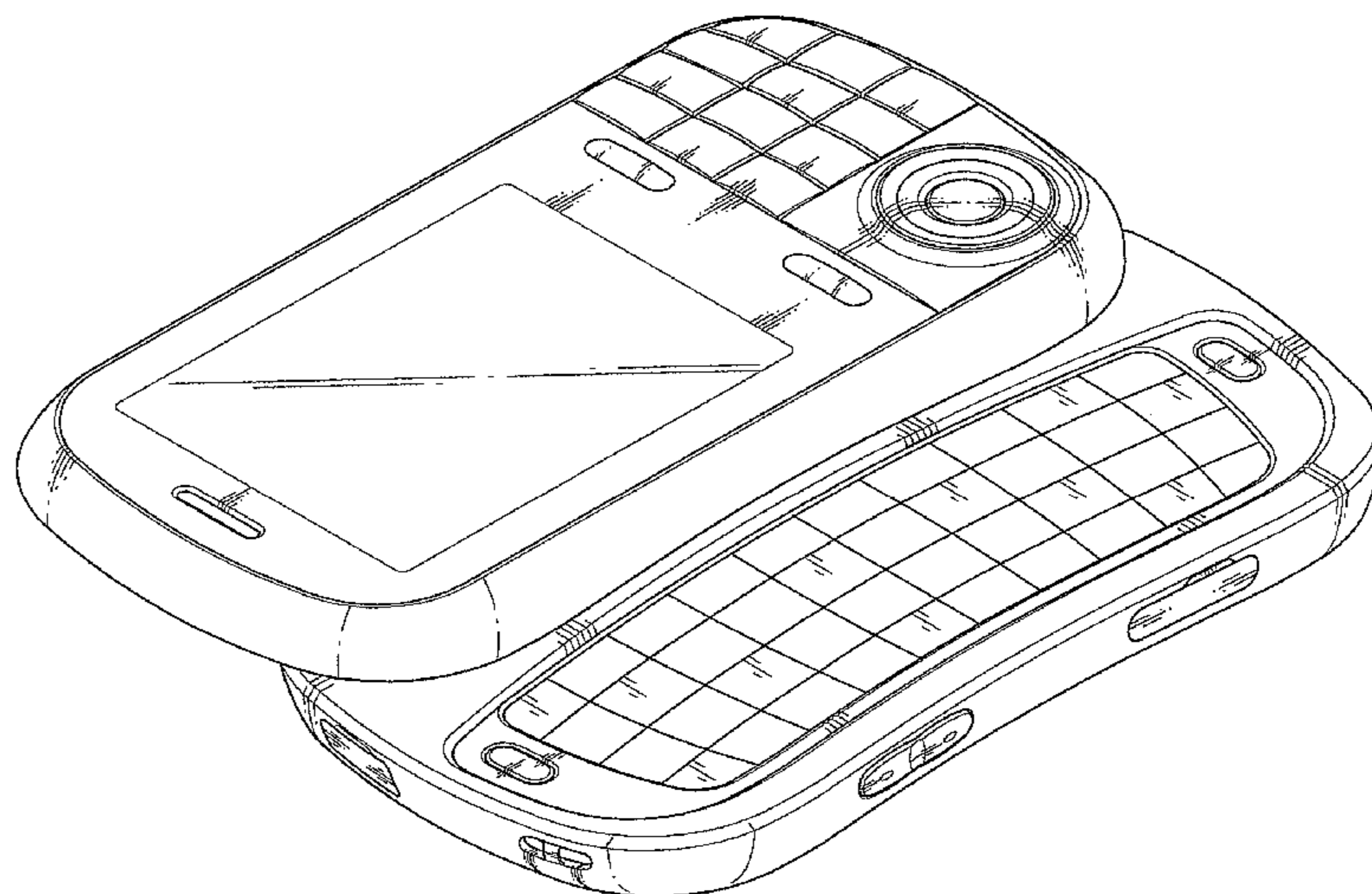
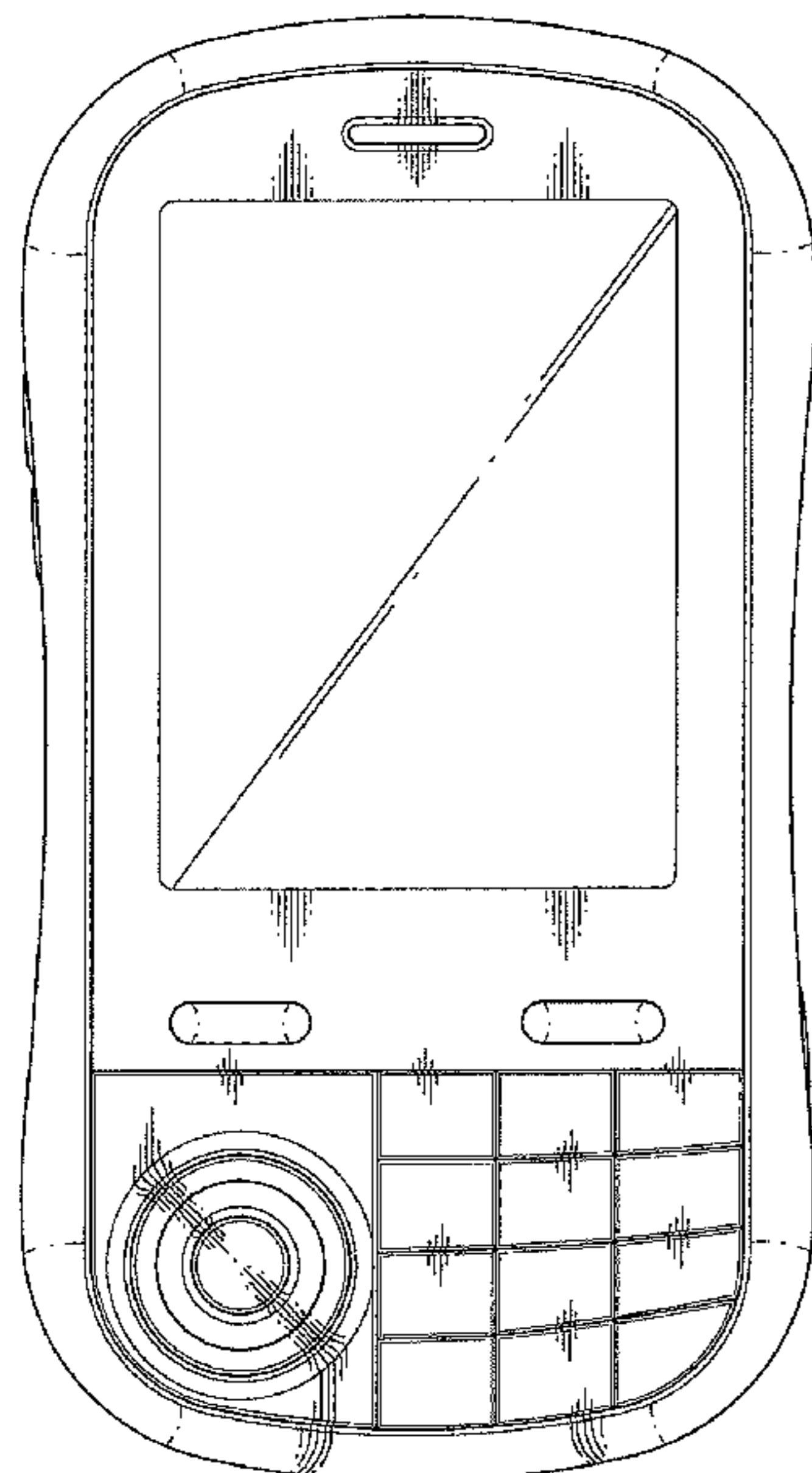
(57) **CLAIM**

The ornamental design for a mobile phone, as shown and described.

DESCRIPTION

FIG. 1 is a front perspective view of a mobile phone;
FIG. 2 is a front view of the mobile phone of FIG. 1;
FIG. 3 is a rear view of the mobile phone of FIG. 1;
FIG. 4 is a left-side view of the mobile phone of FIG. 1;
FIG. 5 is a right-side view of the mobile phone of FIG. 1;
FIG. 6 is a top plan view of the mobile phone of FIG. 1;
FIG. 7 is a bottom plan view of the mobile phone of FIG. 1;
and,
FIG. 8 is an open perspective view of the mobile phone of FIG. 1.

1 Claim, 5 Drawing Sheets



U.S. PATENT DOCUMENTS

D572,698 S * 7/2008 Kim et al. D14/138 AA
D589,020 S * 3/2009 Lee et al. D14/138 AD
D590,804 S * 4/2009 Tkachuk D14/138 AD
D598,416 S * 8/2009 Kangasmaa et al. .. D14/138 AA
D601,115 S * 9/2009 Kim et al. D14/138 AA
D601,117 S * 9/2009 Hong et al. D14/138 AA
D601,541 S * 10/2009 Lee et al. D14/138 AA
D601,983 S * 10/2009 Tkachuk D14/138 AA
D605,164 S * 12/2009 Li et al. D14/203.7
2008/0076493 A1* 3/2008 Seo et al. 455/575.4

OTHER PUBLICATIONS

Samsung T469 Gravity 2 telephone, announced Jul. 2009, [online], [site visited Dec. 16, 2009]. Available from Internet ,<URL: <http://www.gsmarena.com>>.*

LG KG920 telephone, announced Feb. 2006, [online], [site visited Dec. 16, 2009]. Available from Internet ,<URL: <http://www.gsmarena.com>>.*

HTC S710 telephone, announced Feb. 2007, [online], [site visited Dec. 16, 2009]. Available from Internet ,<URL: <http://www.gsmarena.com>>.*

Gigabyte GSmart i120 telephone, announced Dec. 2006, [online], [site visited Dec. 16, 2009]. Available from Internet ,<URL: <http://www.gsmarena.com>>.*

Sagem VS1 telephone, announced 2nd quarter 2005, [online], [site visited Dec. 16, 2009]. Available from Internet ,<URL: <http://www.gsmarena.com>>.*

Pantech PG-8000 telephone, announced 4th quarter 2005, [online], [site visited Dec. 16, 2009]. Available from Internet ,<URL: <http://www.gsmarena.com>>.*

Nokia E75 telephone, announced Feb. 2009, [online], [site visited Dec. 16, 2009]. Available from Internet ,<URL: <http://www.gsmarena.com>>.*

* cited by examiner

FIG. 1

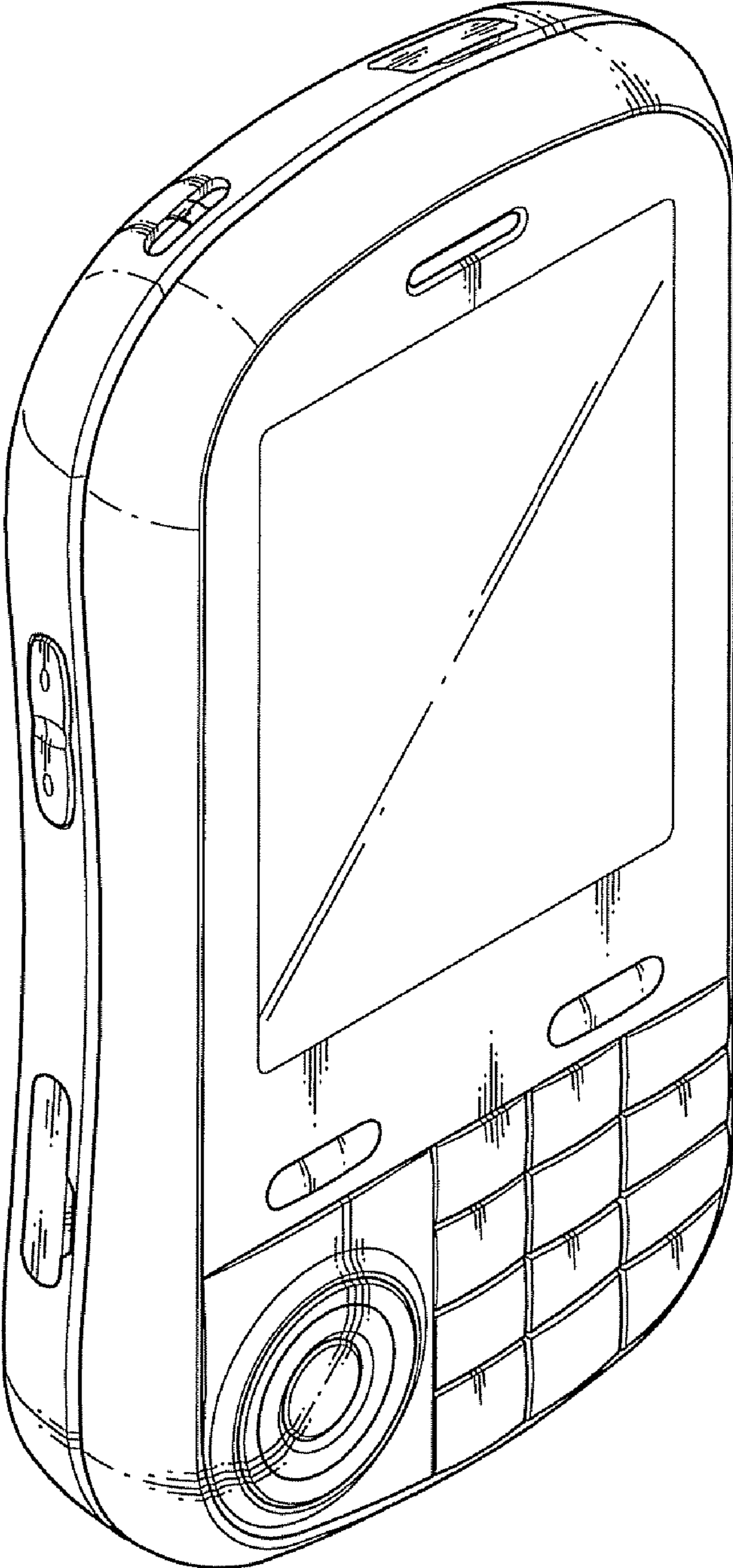


FIG. 2

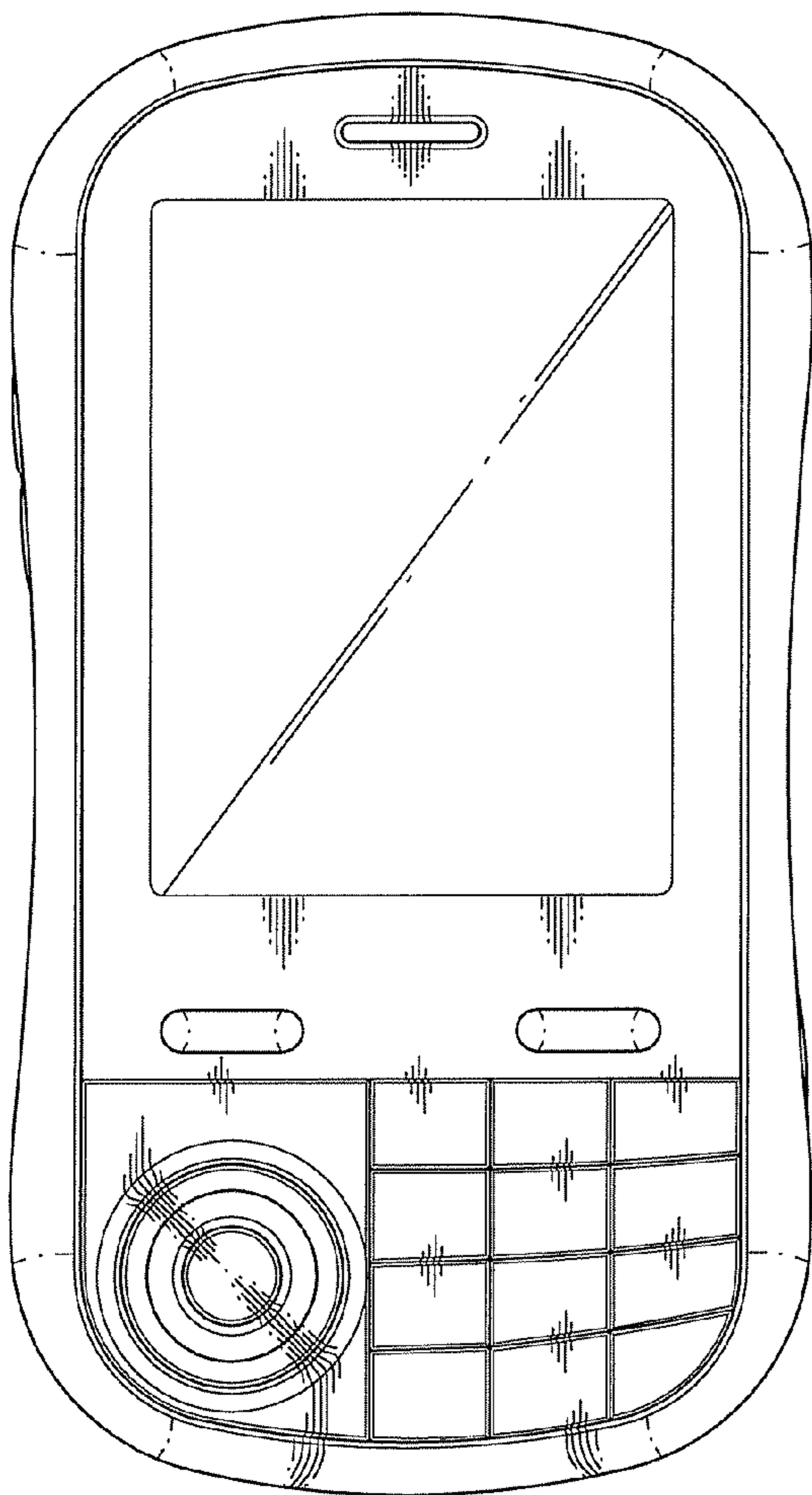


FIG. 3

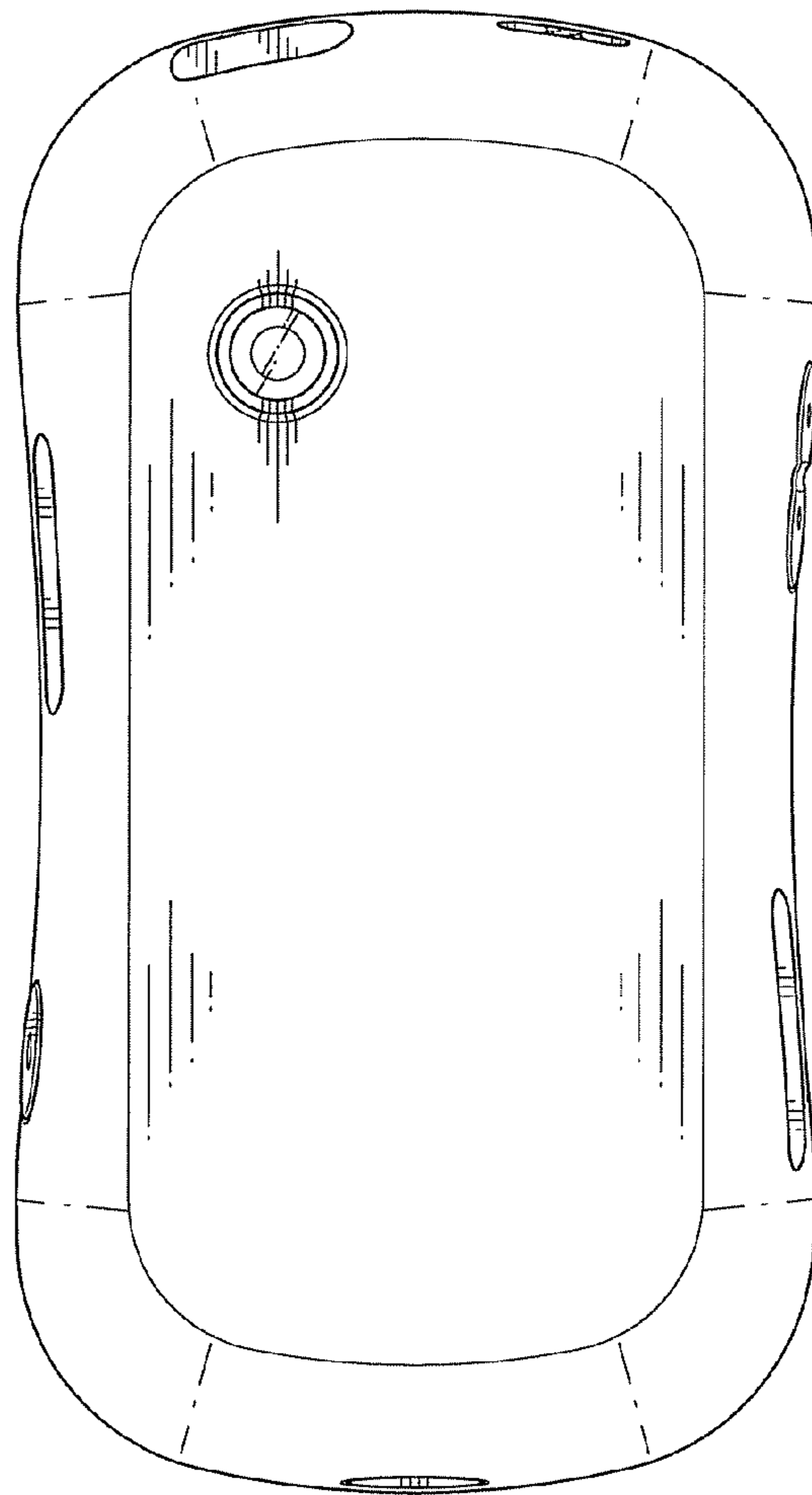


FIG. 4

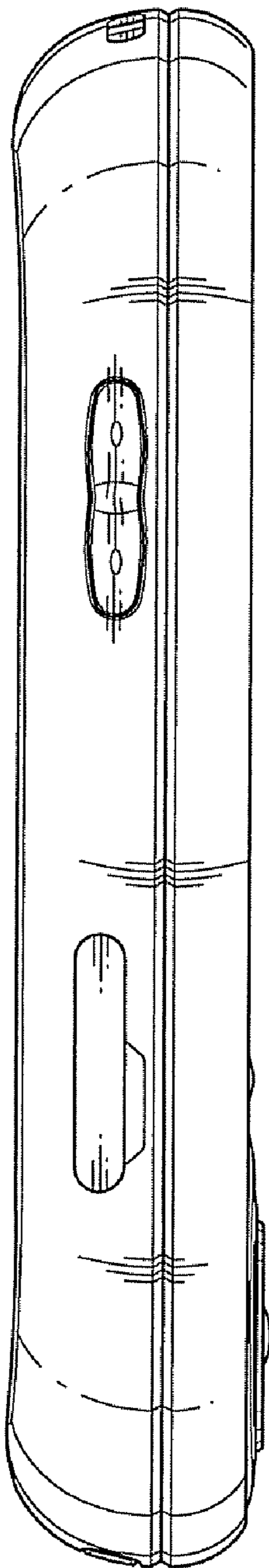


FIG. 5

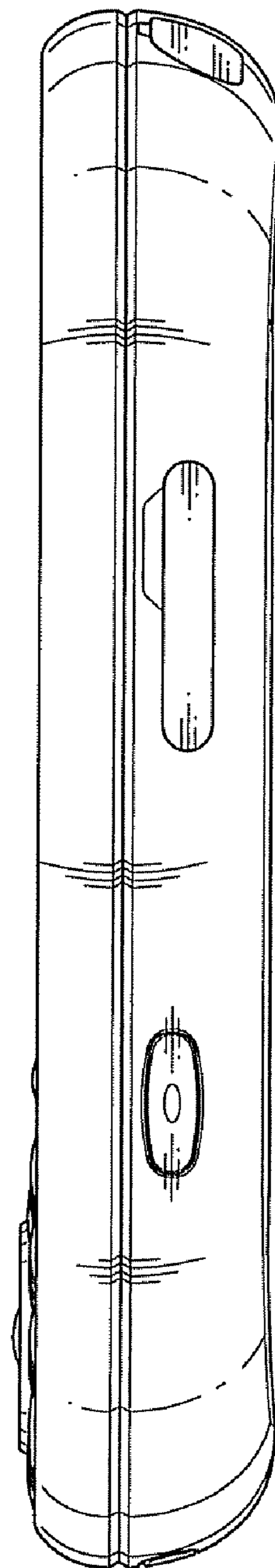


FIG. 6

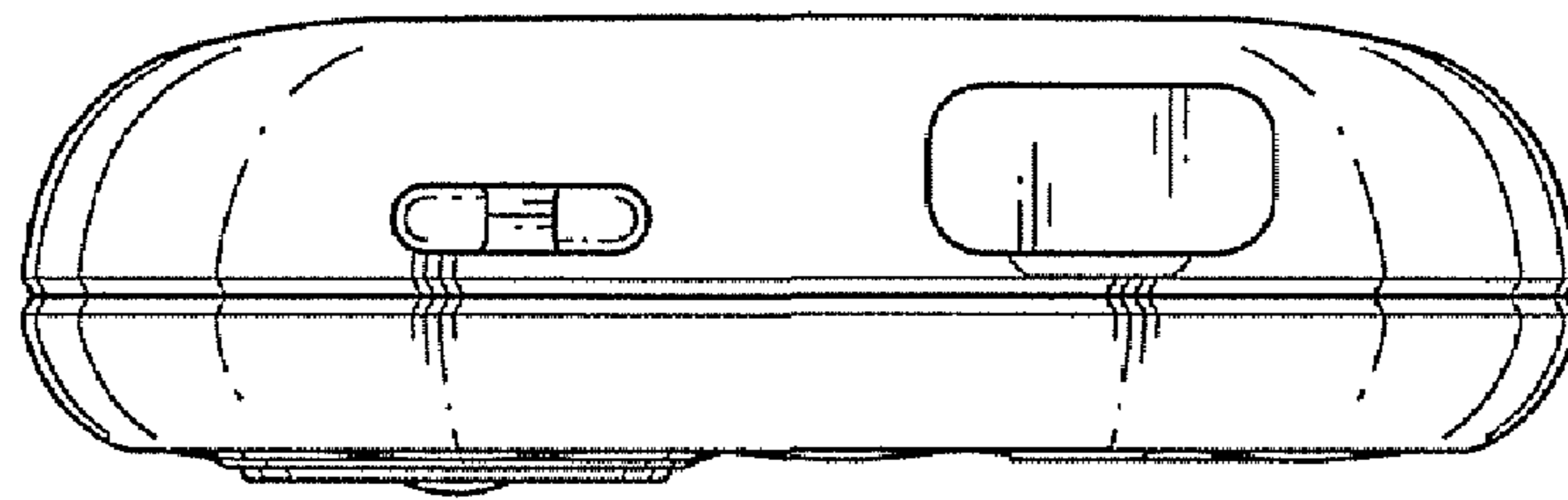


FIG. 7

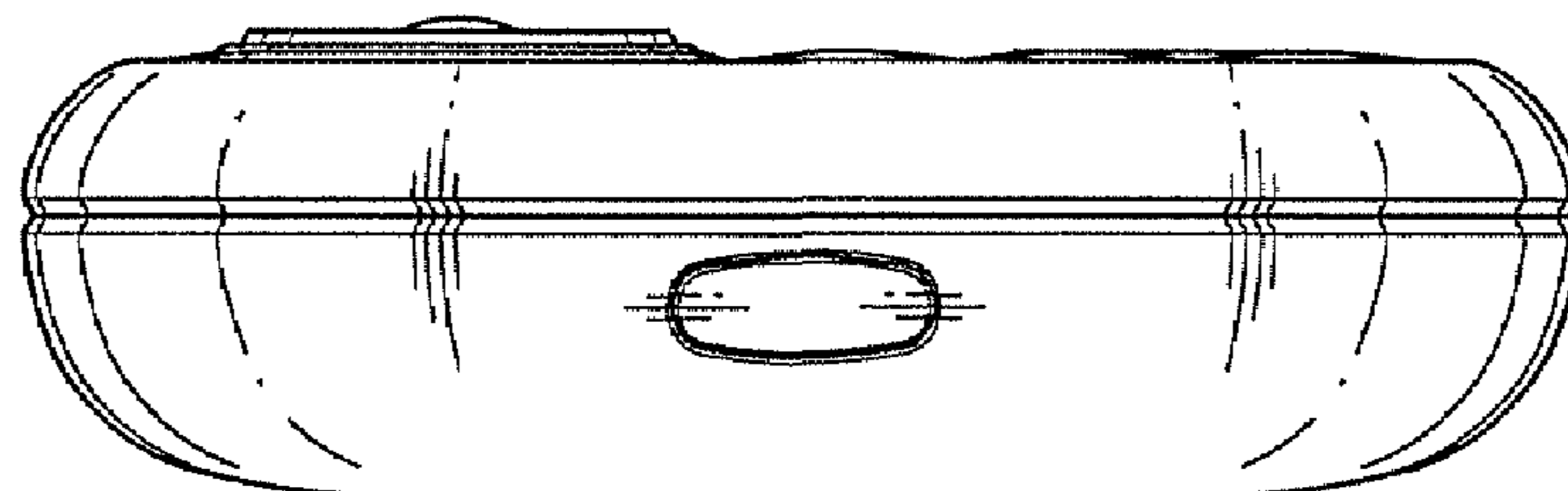


FIG. 8

