



US00D615938S

(12) **United States Design Patent**
Song et al.

(10) **Patent No.:** **US D615,938 S**

(45) **Date of Patent:** **** May 18, 2010**

(54) **LCD TELEVISION SET**

(75) Inventors: **Jae-Seung Song**, Seoul (KR); **Yun-Je Kang**, Kyunggi-do (KR)

(73) Assignee: **Samsung Electronics Co., Ltd.**,
Kyunggi-do (KR)

(**) Term: **14 Years**

(21) Appl. No.: **29/316,365**

(22) Filed: **Sep. 17, 2009**

(51) **LOC (9) Cl.** **14-03**

(52) **U.S. Cl.** **D14/126**

(58) **Field of Classification Search** D14/125-134,
D14/239, 371, 136, 374-377, 440, 450, 448,
D14/336, 342; 312/7.2; 348/836, 838, 180,
348/184, 325, 739; 341/12; 248/917-924,
248/465; 345/104, 133, 156, 168, 87, 173;
720/605, 669, 600, 655; 369/99, 197; 455/344,
455/347; D21/329, 515, 577, 622, 333, 433,
D21/448, 452, 450, 331; D6/477, 479, 300;
273/148 B; 446/484, 175, 356; D10/15,
D10/26

See application file for complete search history.

(56) **References Cited**

U.S. PATENT DOCUMENTS

D494,941 S	8/2004	Kim
D499,386 S	12/2004	Yang
D512,424 S	12/2005	Kim
D521,511 S	5/2006	Kim et al.
D521,996 S	5/2006	Kim et al.
D521,997 S	5/2006	Park et al.
D522,509 S	6/2006	Park et al.
D524,313 S	7/2006	Boo et al.
D527,003 S	8/2006	Kim et al.
D528,115 S	9/2006	Yoon
D528,116 S	9/2006	Won et al.
D529,910 S	10/2006	Ota
D532,764 S	11/2006	Kim et al.
D533,848 S	12/2006	Lee et al.
D534,510 S	1/2007	Kang et al.

D534,883 S	1/2007	Kang et al.
D535,267 S	1/2007	Kang et al.
D536,677 S	2/2007	Kim et al.
D537,079 S	2/2007	Park
D539,241 S *	3/2007	Peng D14/126
D539,242 S	3/2007	Lee et al.
D539,281 S	3/2007	Kim et al.
D539,767 S	4/2007	Kang et al.
D540,277 S	4/2007	Kim et al.
D541,236 S	4/2007	Kim et al.
D541,763 S	5/2007	Kim
D542,746 S	5/2007	Kim

(Continued)

OTHER PUBLICATIONS

U.S. Appl. No. 29/286,893, Applicant: Seung-Ho Lee, et al., filed May 22, 2007 entitled LCD Television Set.

(Continued)

Primary Examiner—Raphael Barkai
(74) *Attorney, Agent, or Firm*—Flynn, Thiel, Boutell & Tanis, P.C.

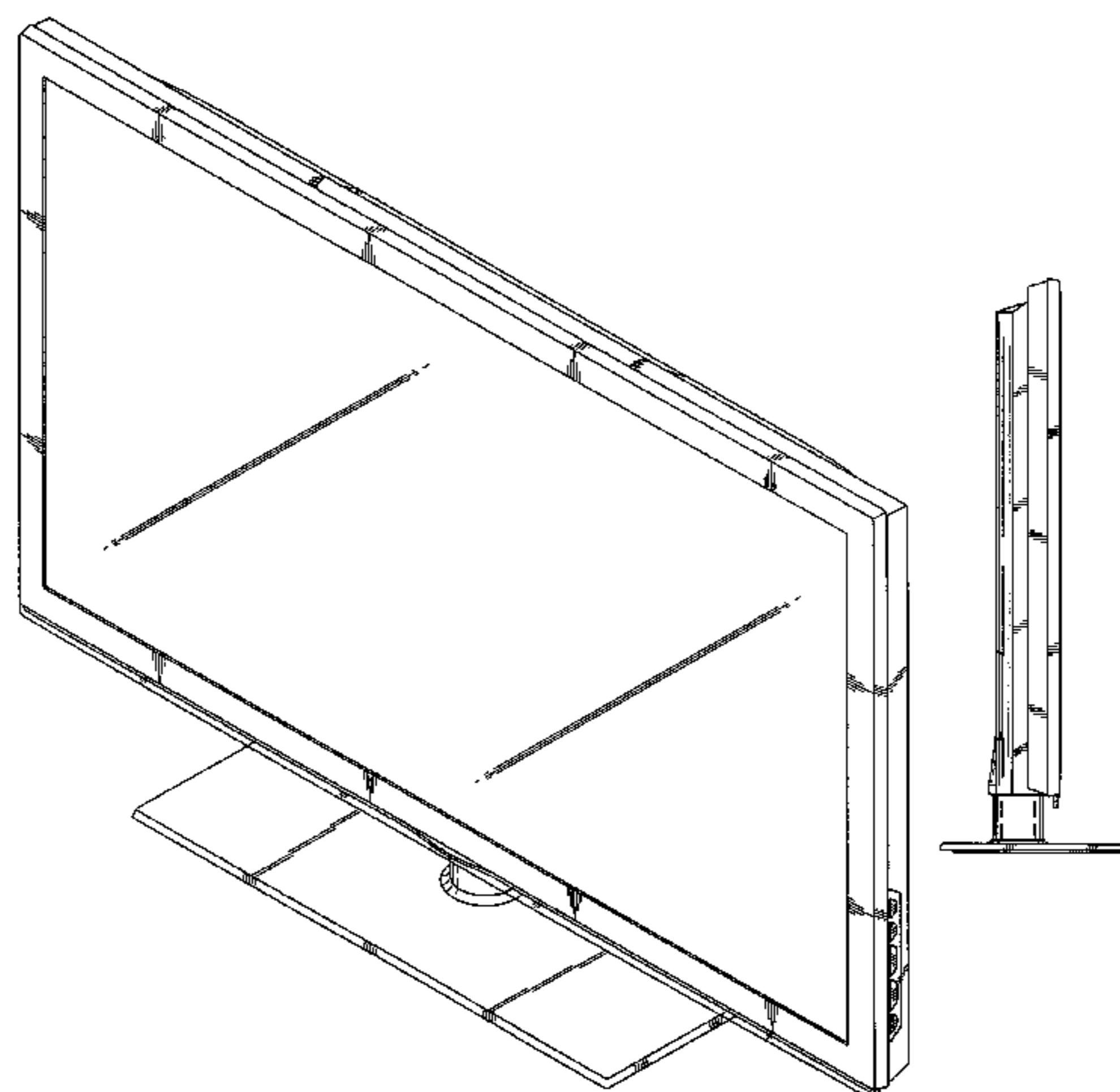
(57) **CLAIM**

The ornamental design for an LCD television set, as shown and described.

DESCRIPTION

FIG. 1 is a top front perspective view of an LCD television set showing our new design;
FIG. 2 is a front elevational view thereof;
FIG. 3 is a rear elevational view thereof;
FIG. 4 is a left side elevational view thereof;
FIG. 5 is a right side elevational view thereof;
FIG. 6 is a top plan view thereof; and,
FIG. 7 is a bottom plan view thereof.
The peripheral frame of the LCD television set has a lower-most extruded portion which is of a transparent material.

1 Claim, 5 Drawing Sheets



US D615,938 S

Page 2

U.S. PATENT DOCUMENTS

D542,747 S	5/2007	Kim et al.	
D543,163 S	5/2007	Yang et al.	
D543,164 S	5/2007	Yang et al.	
D544,849 S	6/2007	Yang et al.	
D545,312 S	6/2007	Kim	
D545,313 S	6/2007	Kim	
D545,314 S	6/2007	Kim	
D545,315 S	6/2007	Kim	
D545,316 S	6/2007	Kim	
D545,776 S	7/2007	Kwon	
D545,820 S	7/2007	Won et al.	
D546,331 S	7/2007	Kim	
D547,276 S	7/2007	Yang et al.	
D547,278 S *	7/2007	Cheng D14/126
D547,313 S	7/2007	Kim	
D548,205 S	8/2007	Kim et al.	
D548,206 S	8/2007	Han	
D548,708 S	8/2007	Park et al.	
D551,186 S	9/2007	Yang et al.	
D551,194 S	9/2007	Kim et al.	
D551,636 S	9/2007	Kang et al.	
D553,108 S	10/2007	Won et al.	
D554,601 S	11/2007	Won et al.	
D556,159 S	11/2007	Park et al.	
D556,160 S	11/2007	Lee et al.	
D556,709 S	12/2007	Kim et al.	
D556,755 S	12/2007	Lee et al.	
D556,756 S	12/2007	Kataoka et al.	
D556,757 S	12/2007	Kim et al.	
D558,201 S	12/2007	Park et al.	
D558,696 S	1/2008	Park et al.	
D561,130 S	2/2008	Won et al.	
D561,134 S	2/2008	Kim et al.	
D561,135 S	2/2008	Won et al.	
D561,136 S	2/2008	Won et al.	
D564,472 S	3/2008	Won et al.	
D565,521 S	4/2008	Yang et al.	
D567,198 S	4/2008	Yang et al.	
D567,199 S	4/2008	Kim et al.	
D569,818 S	5/2008	Kim et al.	
D570,841 S	6/2008	Kim et al.	
D572,680 S	7/2008	Lee et al.	
D572,682 S	7/2008	Won et al.	
D573,118 S	7/2008	Yang et al.	
D573,559 S	7/2008	Kim et al.	
D576,622 S	9/2008	Park	
D582,365 S	12/2008	Yang et al.	
D582,366 S	12/2008	Yang et al.	
D582,867 S	12/2008	Song et al.	
D584,258 S	1/2009	Yang et al.	
D584,309 S	1/2009	Kim et al.	
D584,310 S	1/2009	Kim et al.	
D584,729 S	1/2009	Kim et al.	
D585,856 S *	2/2009	Fujimoto D14/126
D586,811 S	2/2009	Kim et al.	
D587,712 S	3/2009	Park et al.	
D592,621 S	5/2009	Han	
D593,974 S	6/2009	Yang et al.	
D597,041 S	7/2009	Cho et al.	
D597,977 S	8/2009	Won et al.	
D597,978 S	8/2009	Won et al.	
D605,149 S *	12/2009	Kim et al. D14/126

OTHER PUBLICATIONS

U.S. Appl. No. 29/308,894, Applicant: Eui-Seok Kim, et al., filed Jul. 14, 2008 entitled LCD Monitor.
U.S. Appl. No. 29/308,635, Applicant: Ki-Soo Kim, et al., Jun. 27, 2008 entitled LCD Monitor.
U.S. Appl. No. 29/314,209, Applicant: Sang-Il Park, et al., filed Mar. 13, 2009 entitled LCD Monitor.
U.S. Appl. No. 29/308,634, Applicant: Kyu-Mi Han, et al., filed Jun. 27, 2008 entitled Television Set.
U.S. Appl. No. 29/316,364, Applicant: Jae-Seung Song, et al., filed Sep. 17, 2009 entitled LCD Television Set.
U.S. Appl. No. 29/316,367, Applicant: Young-Sun Shin, et al., filed Sep. 17, 2009 entitled LCD Television Set.
U.S. Appl. No. 29/316,366, Applicant: Dong-Hee Won, et al., filed Sep. 17, 2009 entitled LED Television Set.
U.S. Appl. No. 29/316,368, Applicant: Dong-Hee Won, et al., filed Sep. 17, 2009 entitled LED Television Set.

* cited by examiner

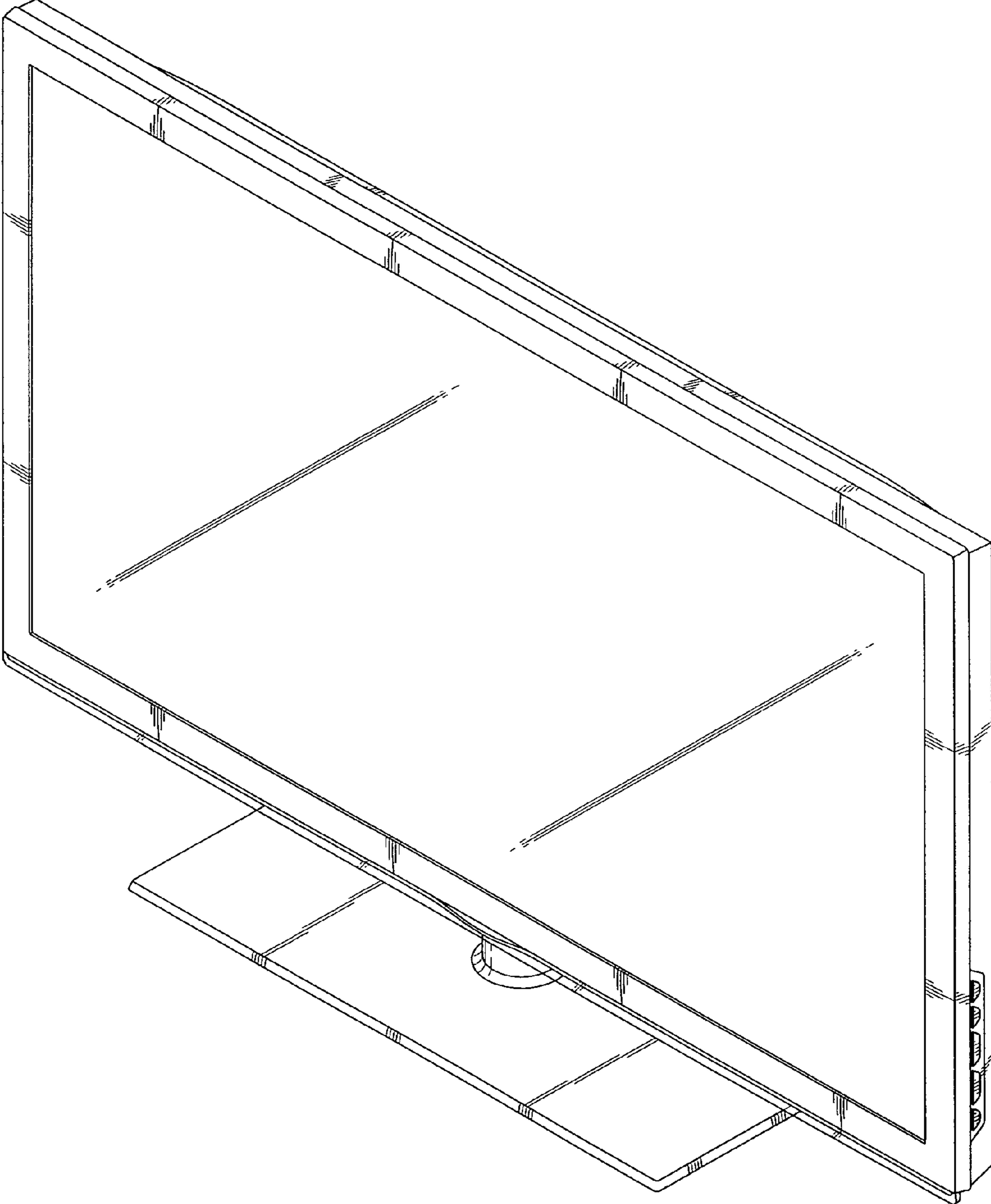


FIG. 1

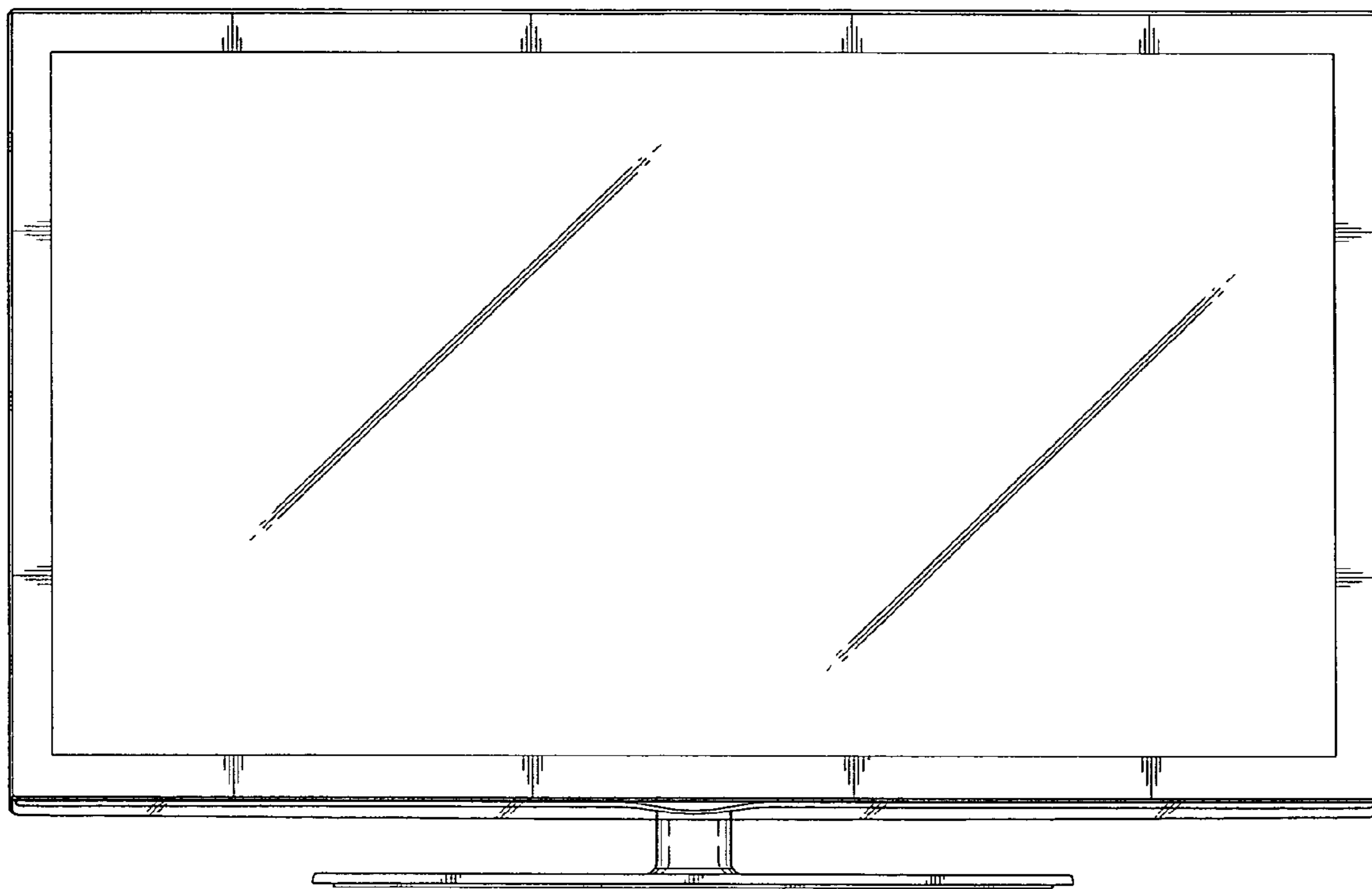


FIG. 2

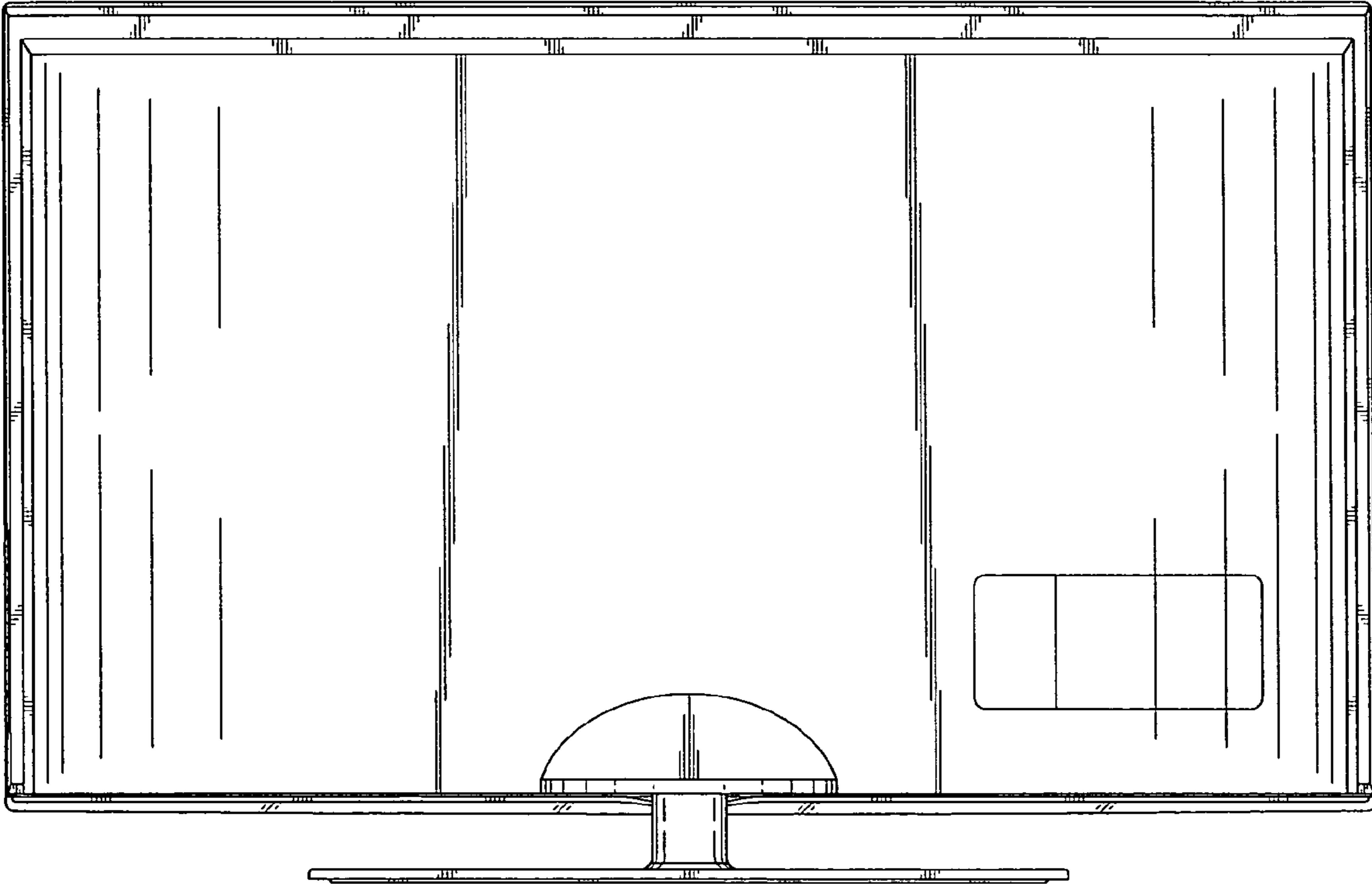


FIG. 3

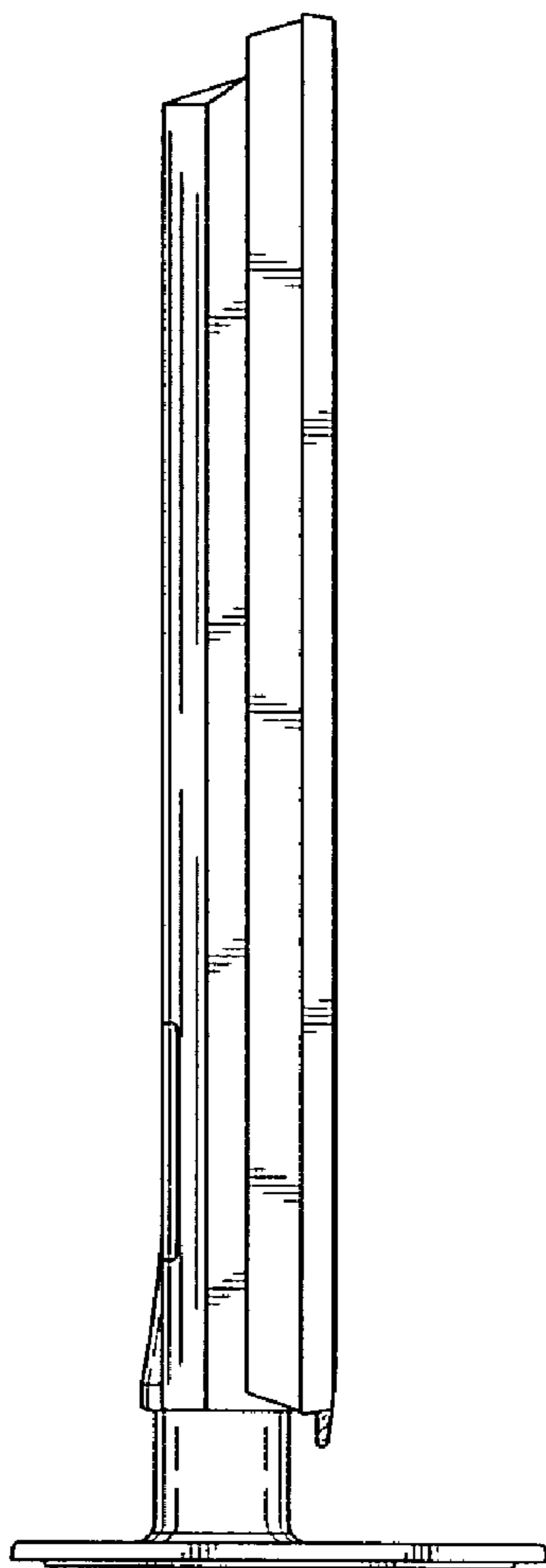


FIG. 4

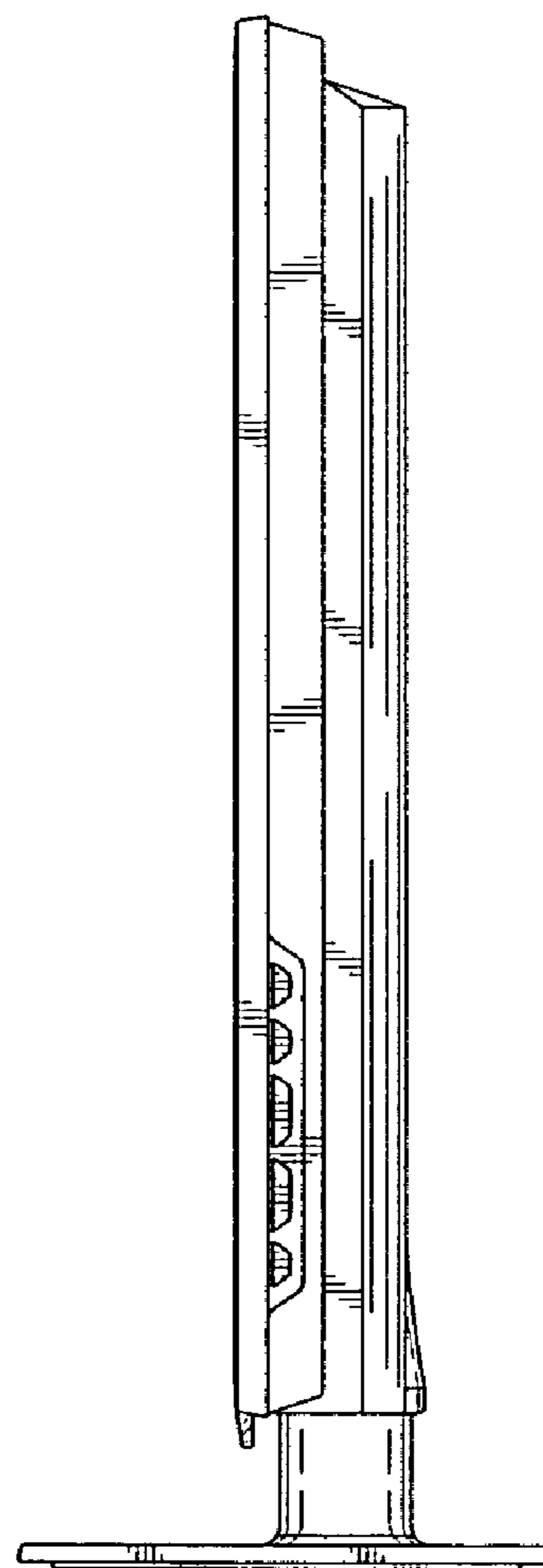


FIG. 5

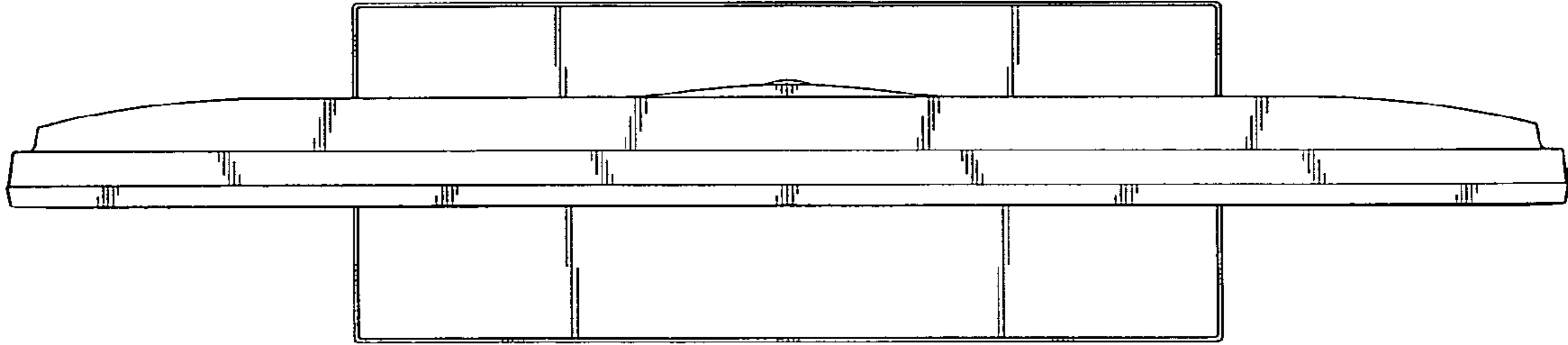


FIG. 6

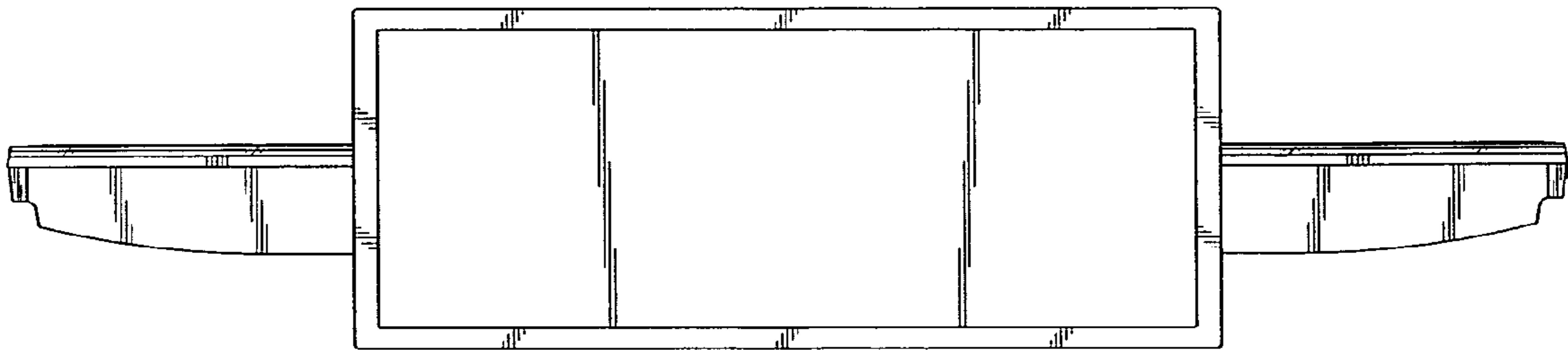


FIG. 7