



US00D615936S

(12) **United States Design Patent**  
**Sato**

(10) **Patent No.:** **US D615,936 S**

(45) **Date of Patent:** **\*\* May 18, 2010**

(54) **PEDESTAL OF HEAT INSULATING  
CYLINDER FOR MANUFACTURING  
SEMICONDUCTOR WAFERS**

6,110,285 A \* 8/2000 Kitazawa et al. .... 118/715  
6,716,027 B2 \* 4/2004 Kim et al. .... 432/253

\* cited by examiner

(75) Inventor: **Izumi Sato**, Oshu (JP)

*Primary Examiner*—Selina Sikder

(73) Assignee: **Tokyo Electron Limited**, Minato-Ku  
(JP)

(74) *Attorney, Agent, or Firm*—Burr & Brown

(\*\*) Term: **14 Years**

(21) Appl. No.: **29/342,847**

(22) Filed: **Sep. 2, 2009**

(57) **CLAIM**

The ornamental design for a pedestal of heat insulating cylinder for manufacturing semiconductor wafers, as shown and described.

(30) **Foreign Application Priority Data**

Mar. 6, 2009 (JP) ..... 2009-004983

**DESCRIPTION**

(51) **LOC (9) Cl.** ..... **13-03**

FIG. 1 is a front perspective view of a pedestal of heat insulating cylinder for manufacturing semiconductor wafers illustrating my new design;

(52) **U.S. Cl.** ..... **D13/182**

FIG. 2 is a front view thereof;

(58) **Field of Classification Search** ..... D13/182;  
206/454, 711; 118/728, 729; 211/41.18;  
432/241, 253, 258

FIG. 3 is a rear view thereof;

See application file for complete search history.

FIG. 4 is a right side view thereof;

FIG. 5 is a left side view thereof;

FIG. 6 is a top plan view thereof;

FIG. 7 is a bottom plan view thereof;

(56) **References Cited**

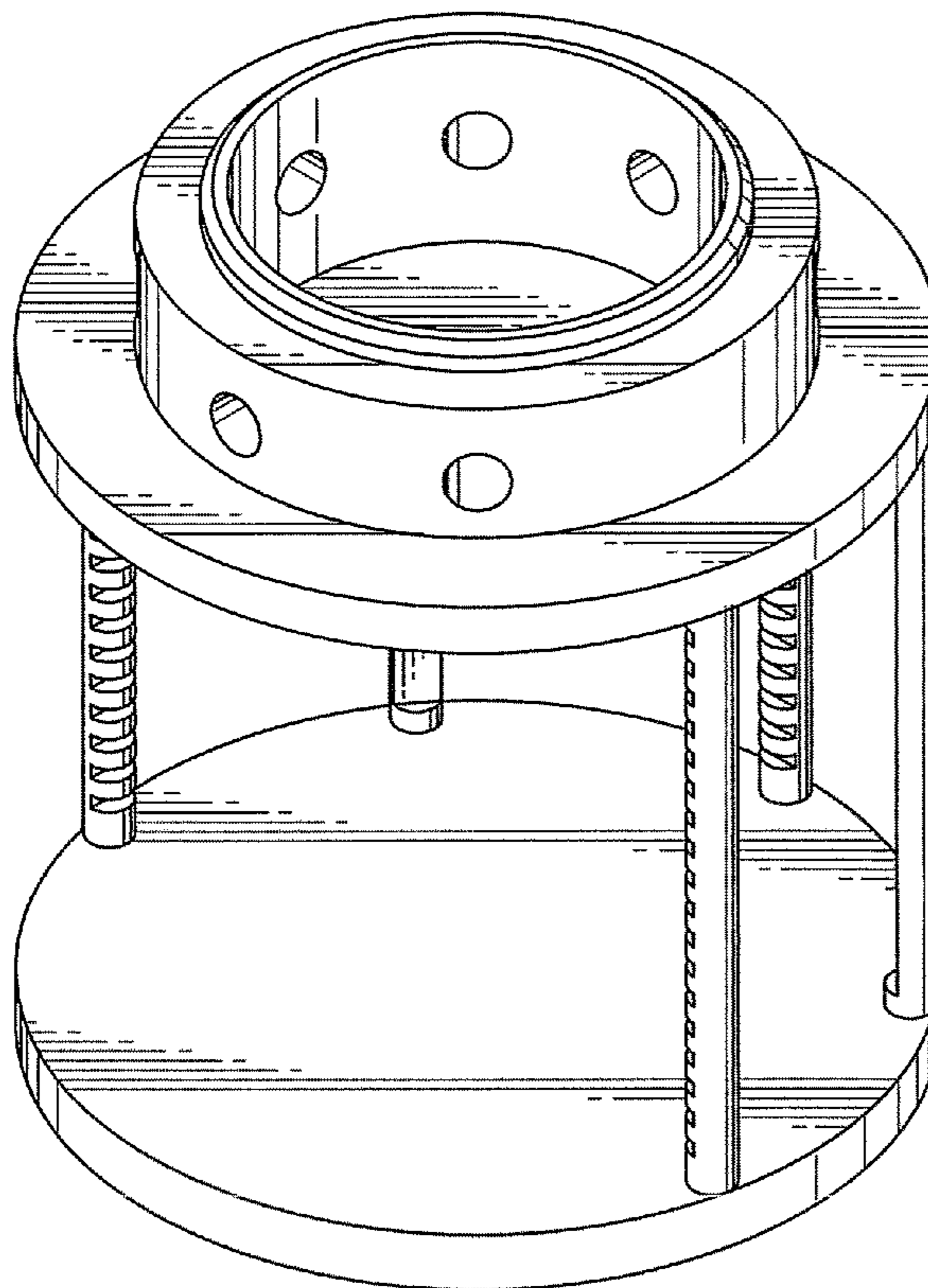
**U.S. PATENT DOCUMENTS**

D404,016 S \* 1/1999 Ishii ..... D13/182  
D409,158 S \* 5/1999 Shimazu ..... D13/182  
D424,527 S \* 5/2000 Ishii ..... D13/182  
6,099,302 A \* 8/2000 Hong et al. .... 432/259

FIG. 8 is a cross-sectional view taken through line 8—8 of FIG. 2; and,

FIG. 9 is a cross-section view taken through line 9—9 of FIG. 2.

**1 Claim, 7 Drawing Sheets**



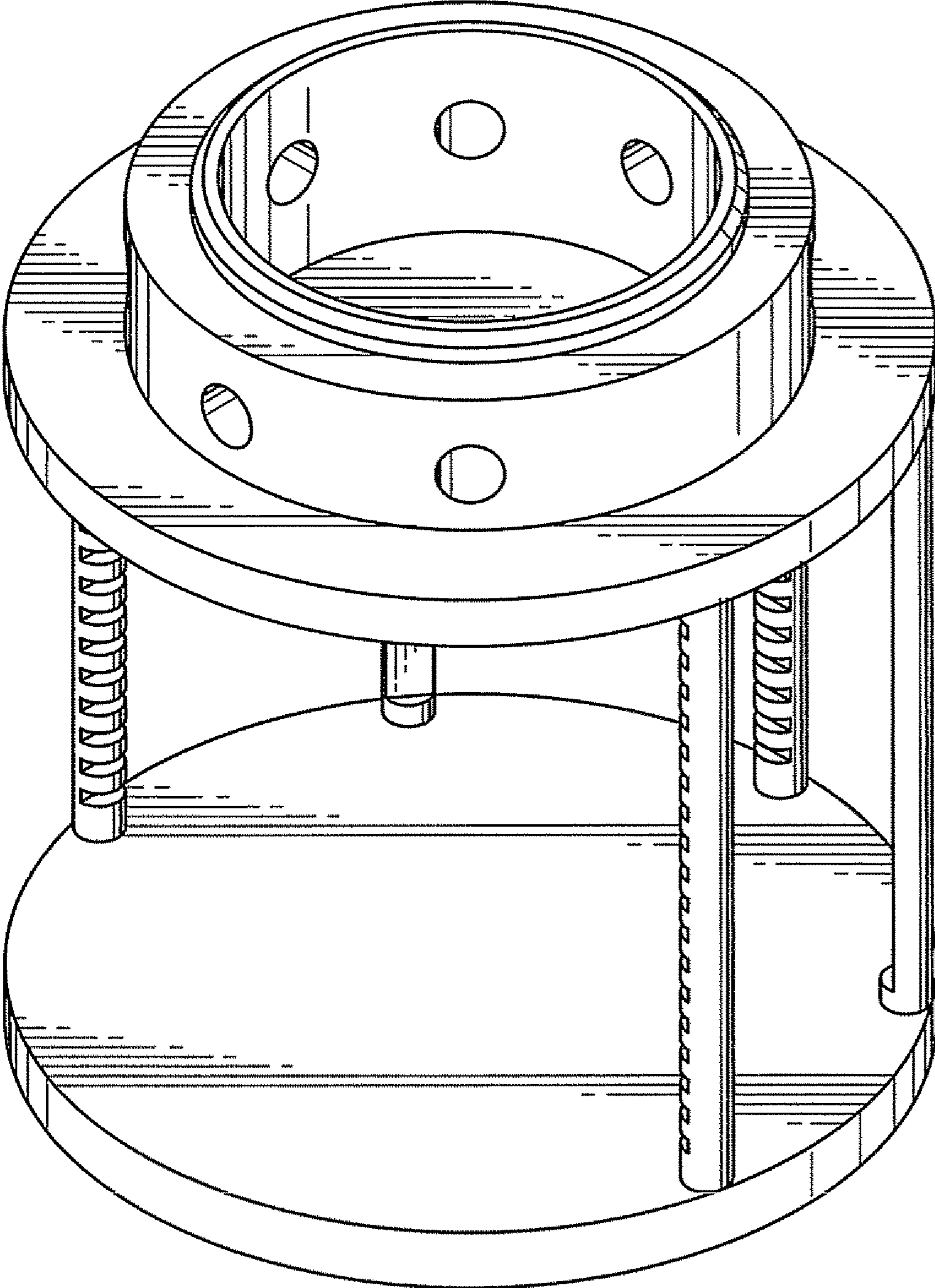


FIG. 1

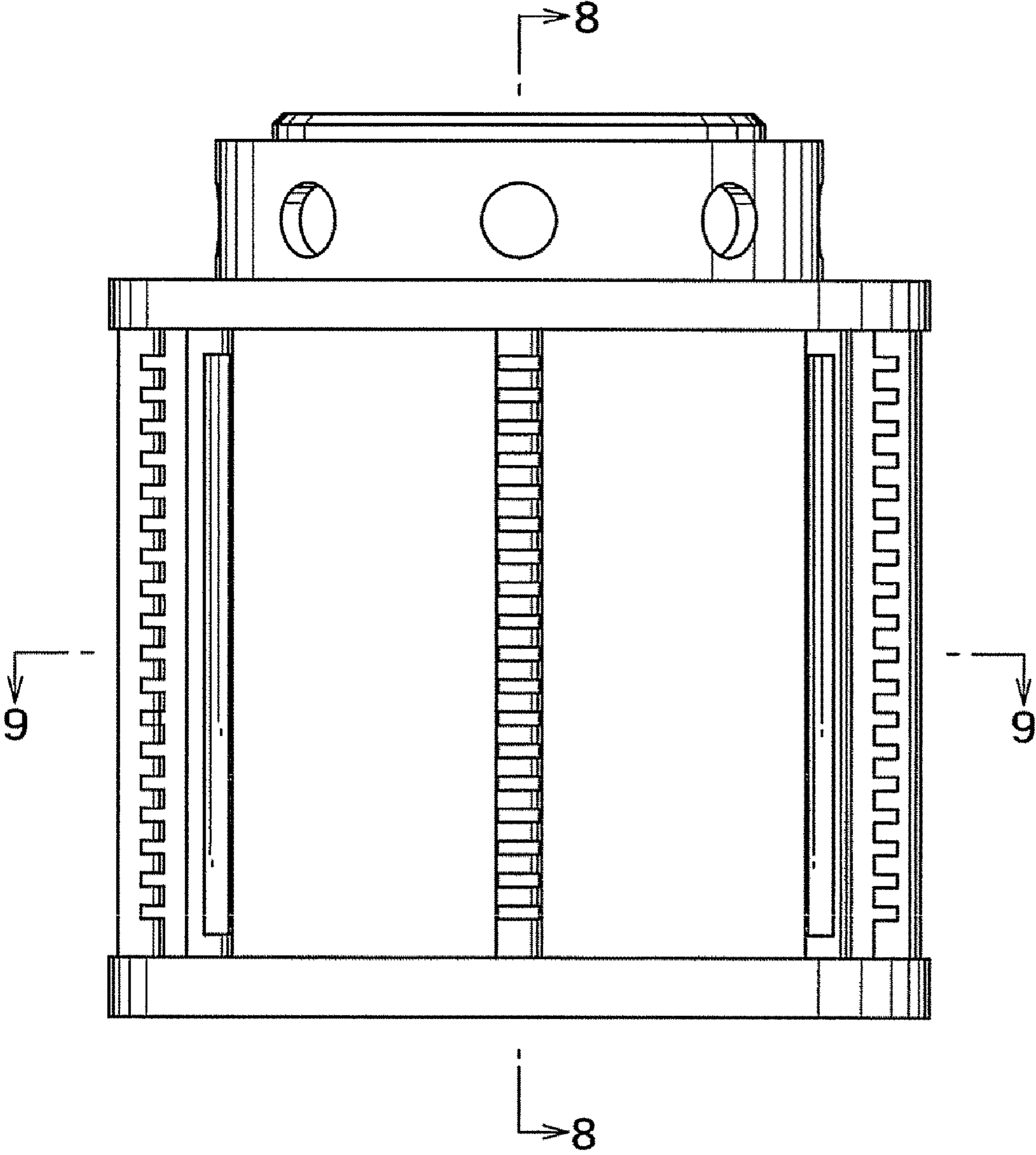


FIG. 2

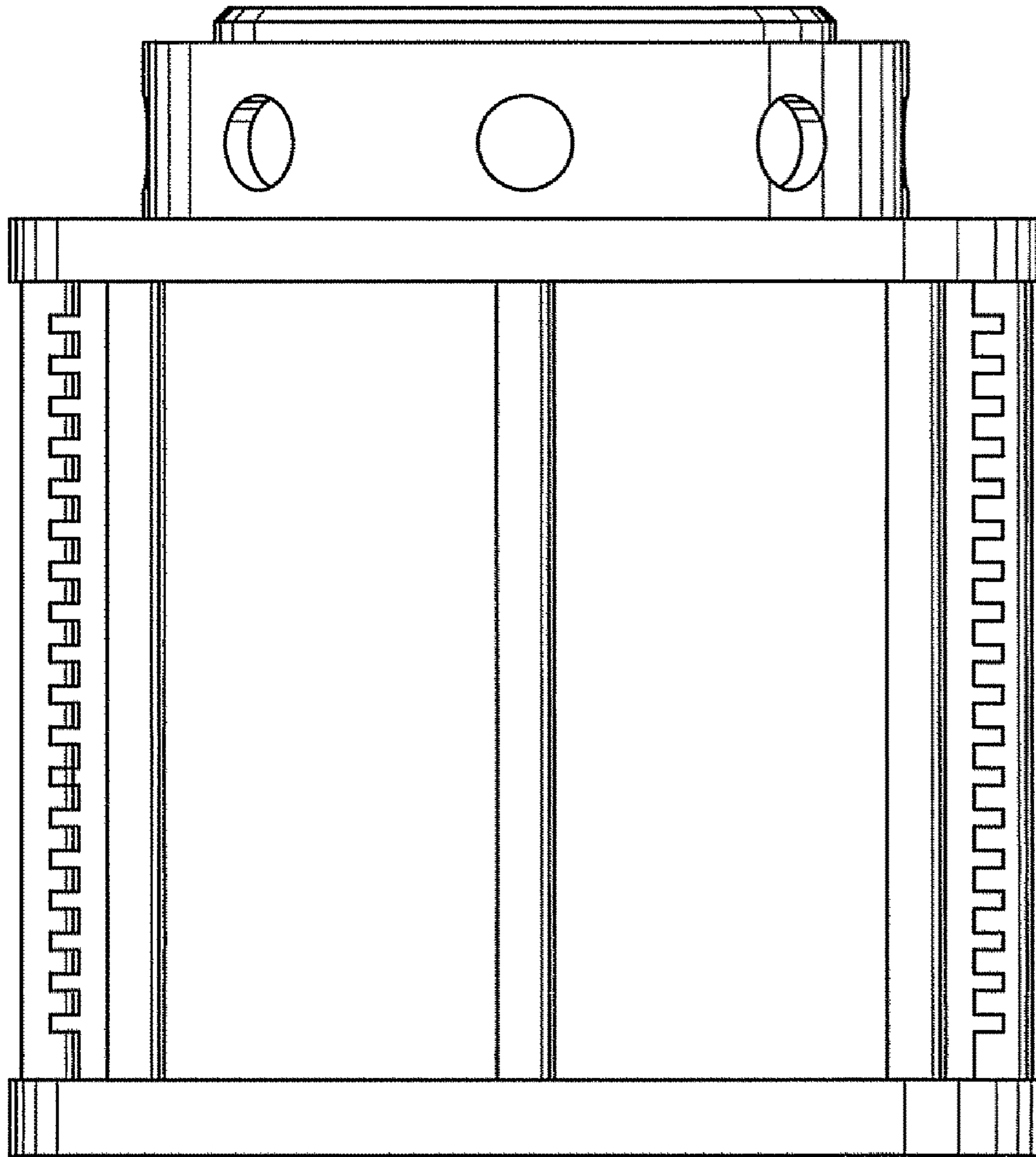


FIG. 3

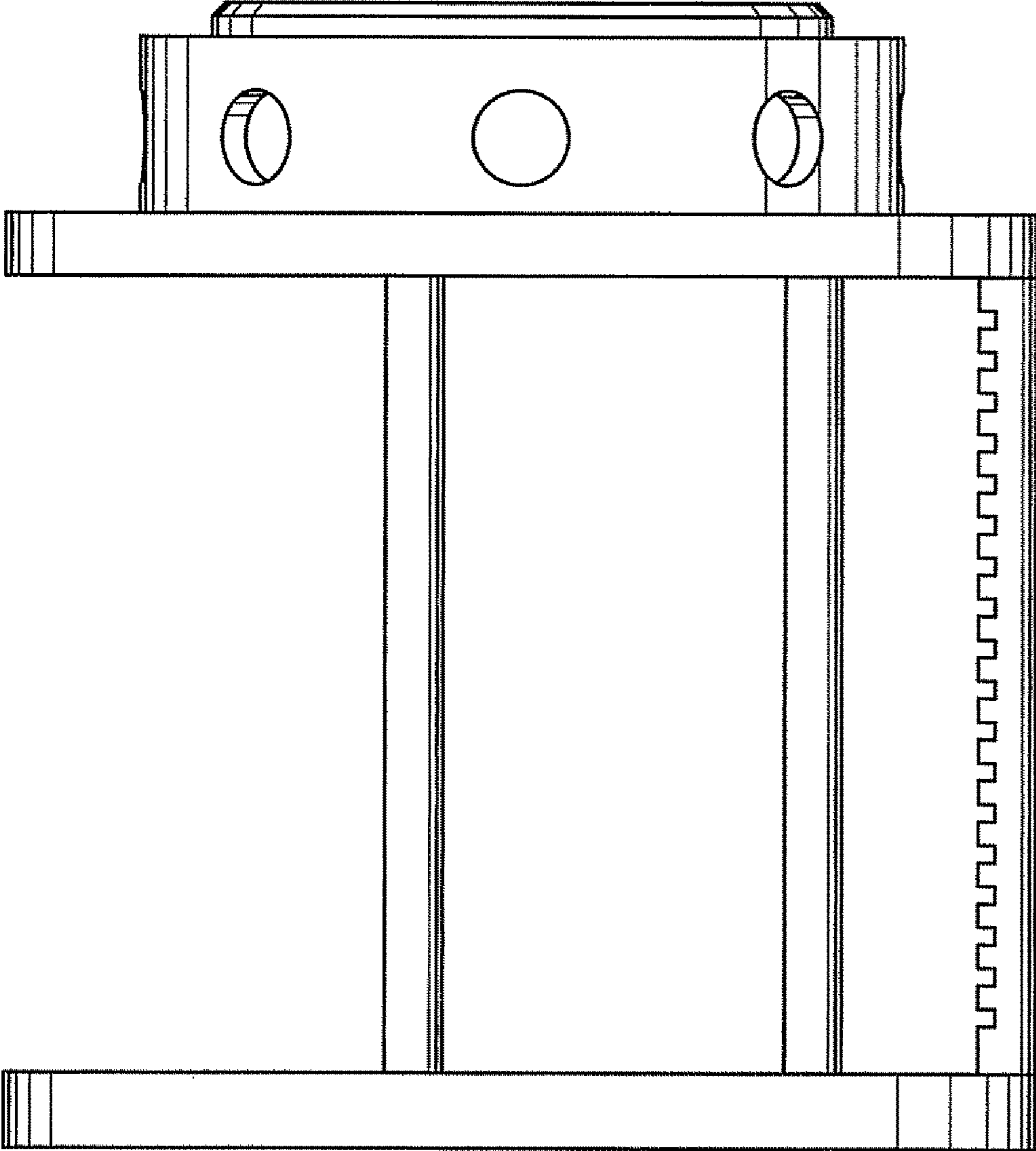


FIG. 4

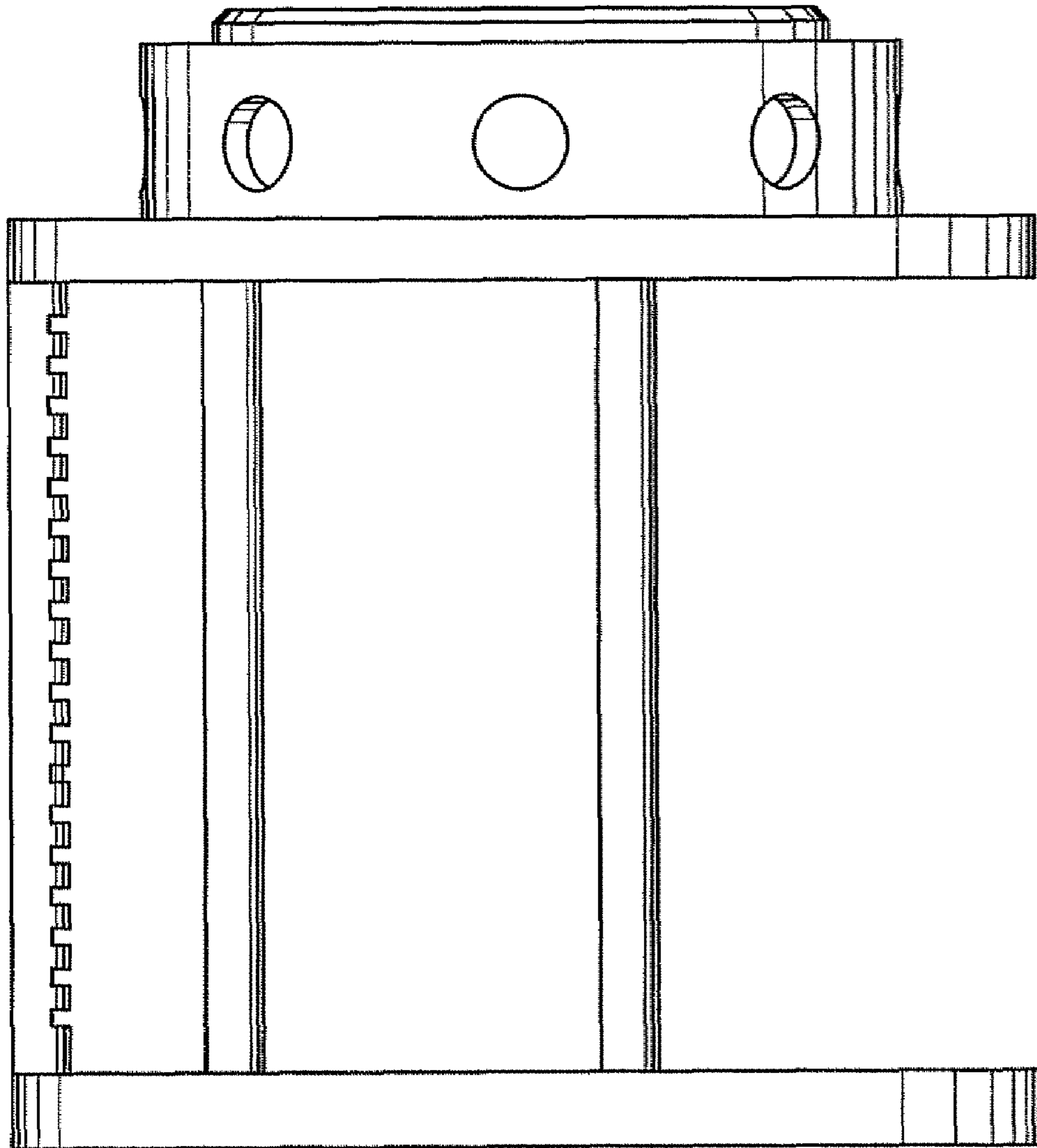


FIG. 5

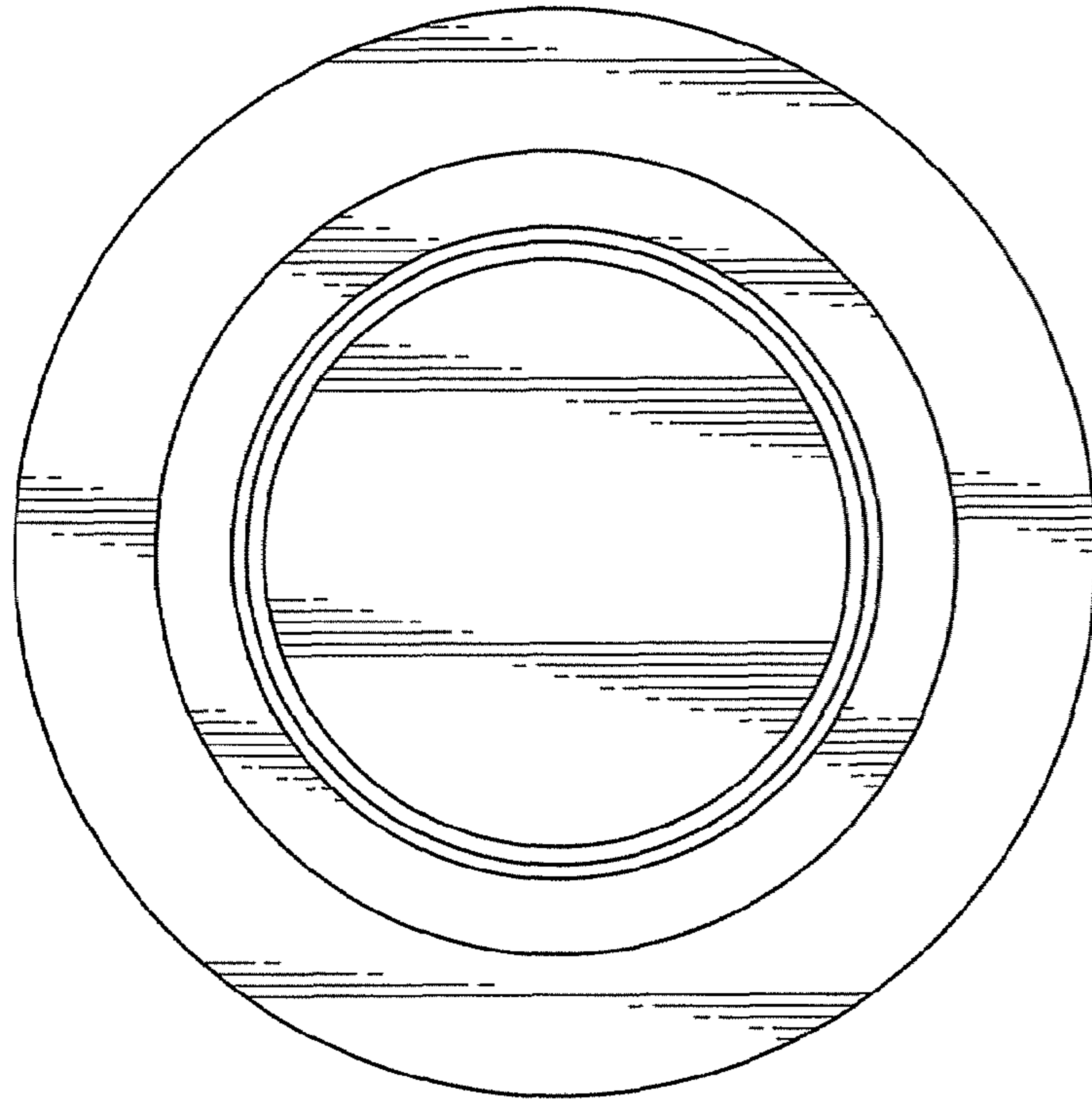


FIG. 6

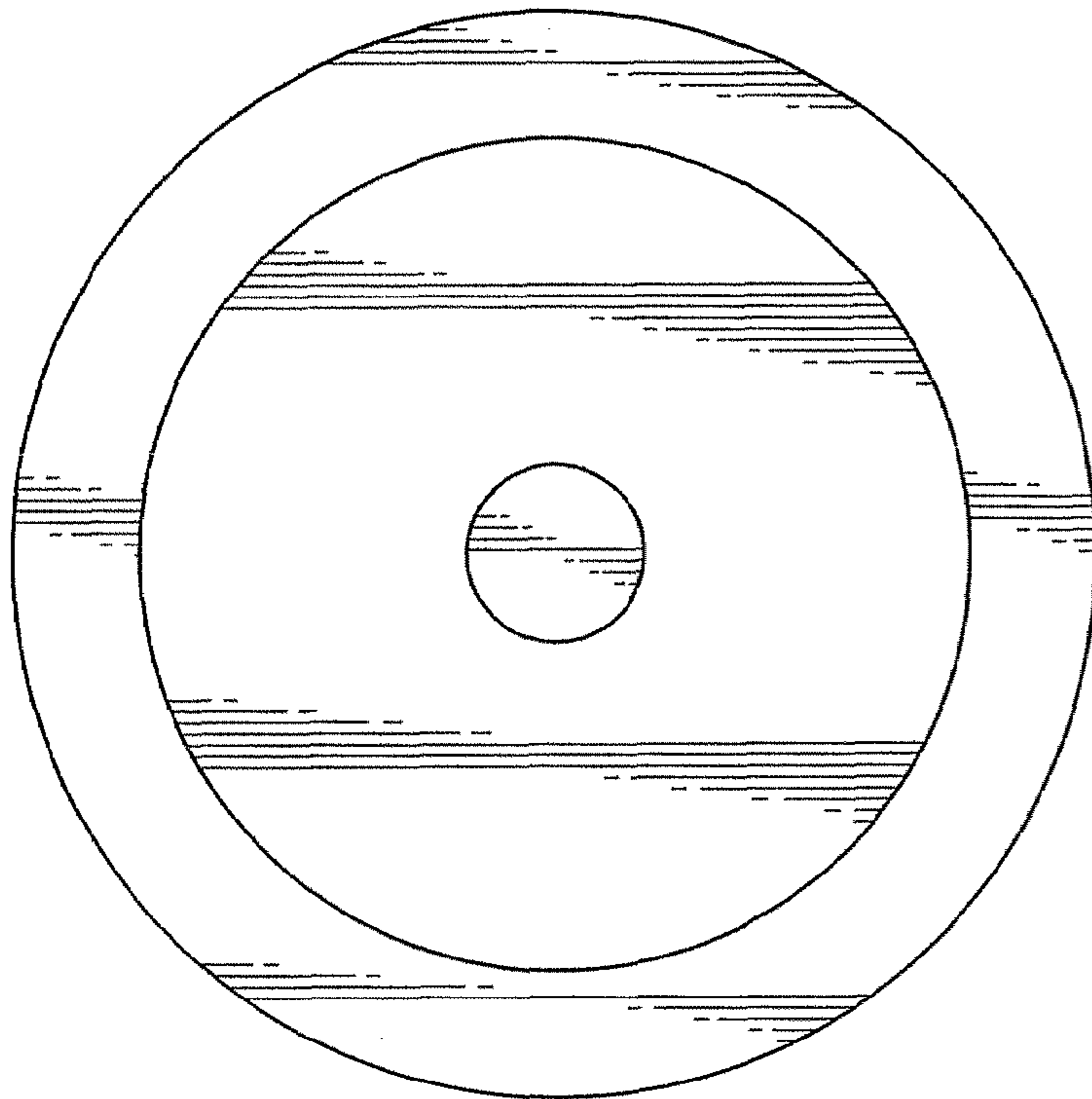


FIG. 7

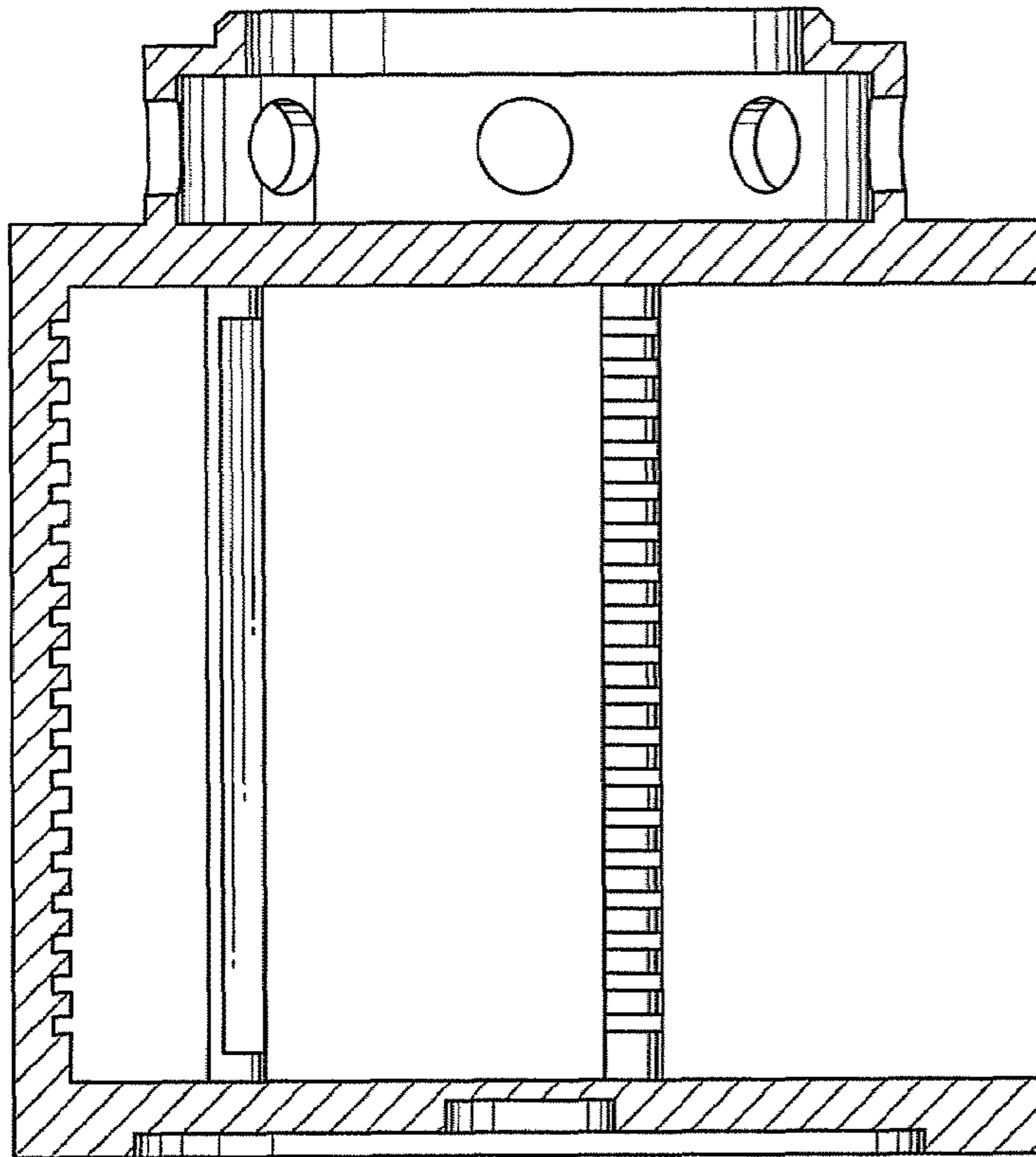


FIG. 8

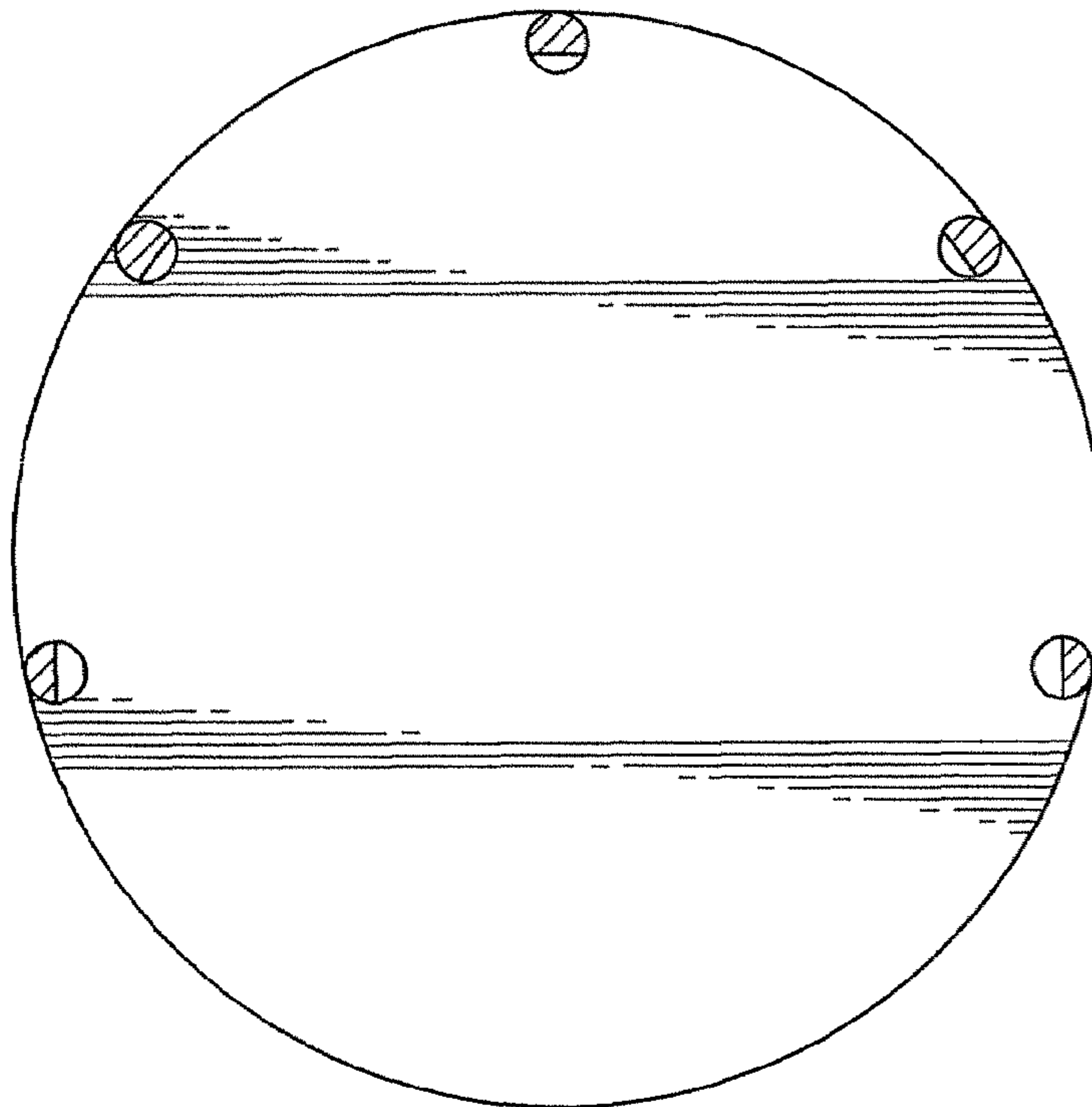


FIG. 9