



US00D615935S

(12) **United States Design Patent**
An et al.

(10) **Patent No.:** **US D615,935 S**

(45) **Date of Patent:** **** May 18, 2010**

(54) **LIGHT-EMITTING DIODE (LED)**

(75) Inventors: **Joong In An**, Gwangju (KR); **Sung Ho Park**, Goseong-Ggun (KR); **Joo Seok Lee**, Suwon-si (KR)

(73) Assignee: **LG Innotek Co., Ltd.**, Seoul (KR)

(**) Term: **14 Years**

(21) Appl. No.: **29/344,640**

(22) Filed: **Oct. 1, 2009**

(51) **LOC (9) Cl.** **13-03**

(52) **U.S. Cl.** **D13/180**

(58) **Field of Classification Search** D13/180;
D26/2; 257/79, 80, 81, 88, 89, 95, 98, 99,
257/100, E33.058; 313/483, 498, 500; 362/555,
362/800

See application file for complete search history.

(56) **References Cited**

U.S. PATENT DOCUMENTS

D512,693 S * 12/2005 Kim et al. D13/180
D528,998 S * 9/2006 Song et al. D13/180
D579,425 S * 10/2008 Yoon et al. D13/180
D585,851 S * 2/2009 Kokubu et al. D13/180
7,527,400 B2 * 5/2009 Yamamoto et al. 362/362

D605,608 S * 12/2009 Lee et al. D13/180
D605,609 S * 12/2009 Lee et al. D13/180
D606,032 S * 12/2009 Lee et al. D13/180
D608,308 S * 1/2010 Hsieh D13/180

* cited by examiner

Primary Examiner—Selina Sikder

(74) *Attorney, Agent, or Firm*—Birch, Stewart, Kolasch & Birch, LLP

(57) **CLAIM**

The ornamental design for a light-emitting diode (LED), as shown.

DESCRIPTION

FIG. 1 is a top, front, perspective view of a light-emitting diode (LED) showing our new design;

FIG. 2 is a front view thereof;

FIG. 3 is a rear view thereof;

FIG. 4 is a left side view thereof;

FIG. 5 is a right side view thereof;

FIG. 6 is a top plan view thereof; and,

FIG. 7 is a bottom plan view thereof.

1 Claim, 3 Drawing Sheets

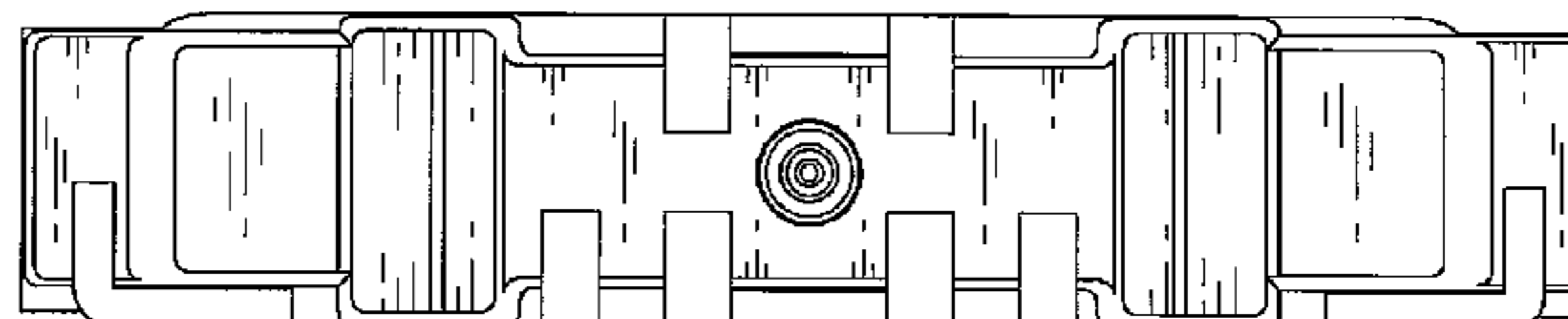
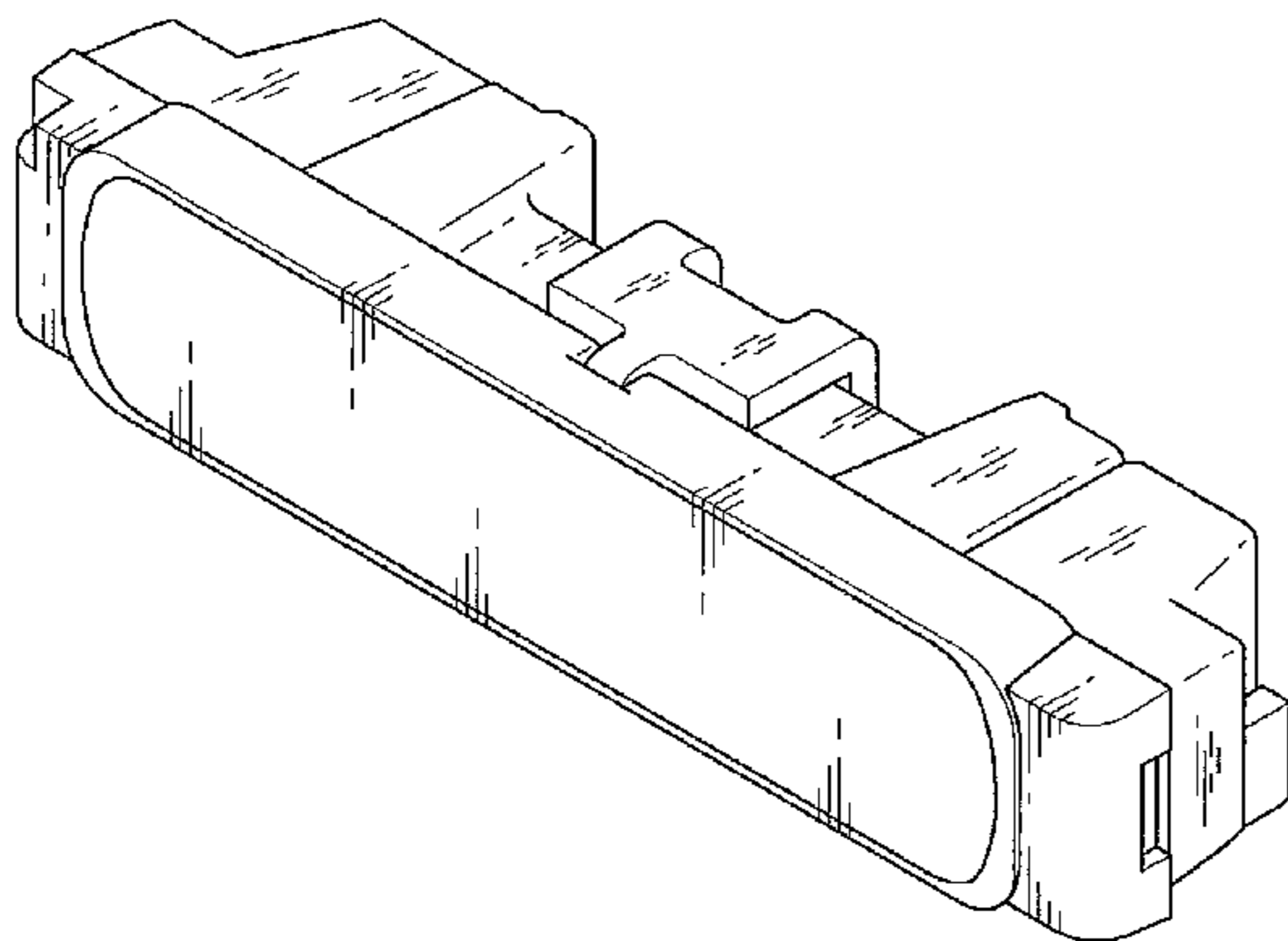


FIG. 1

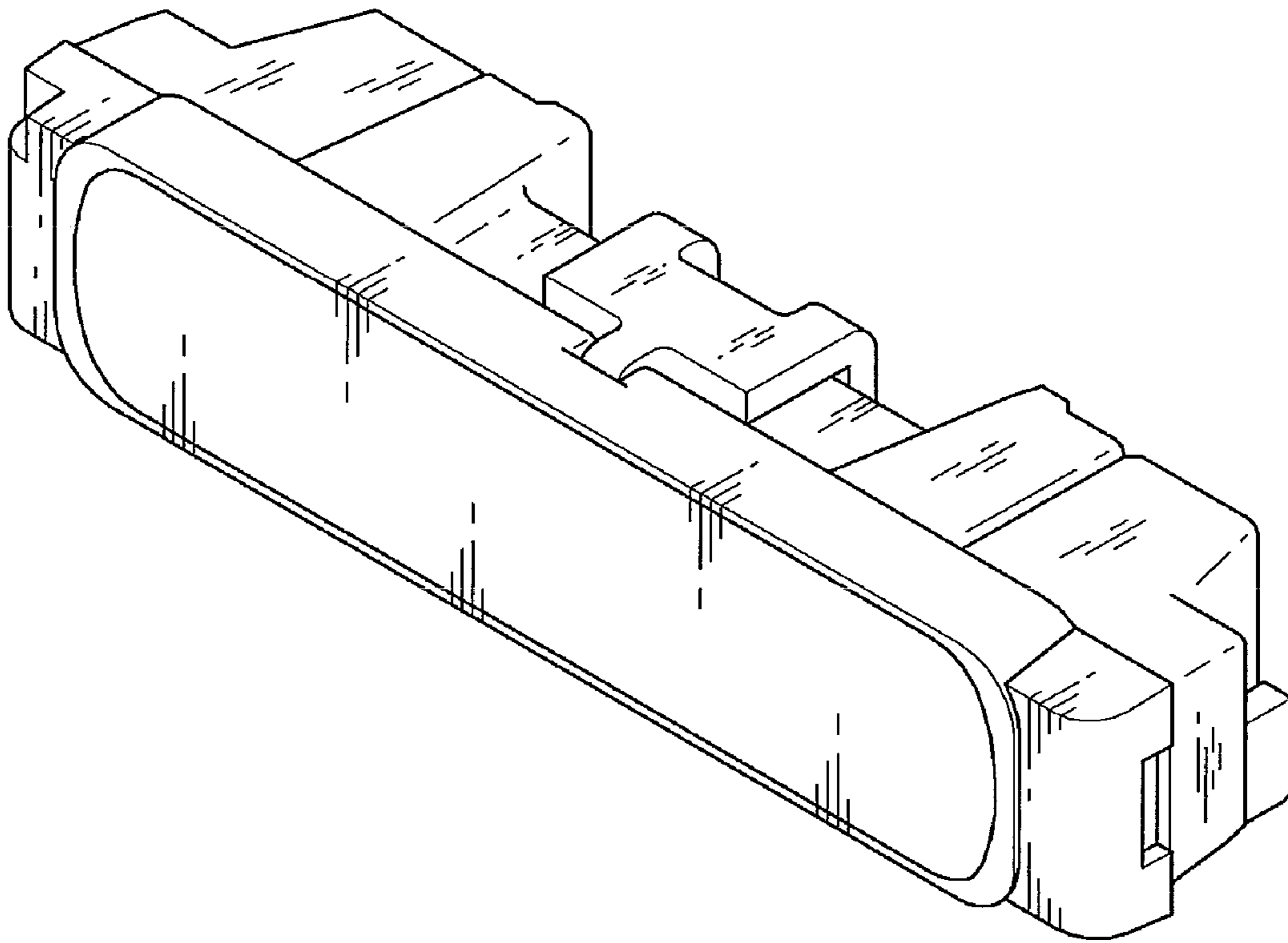


FIG. 2

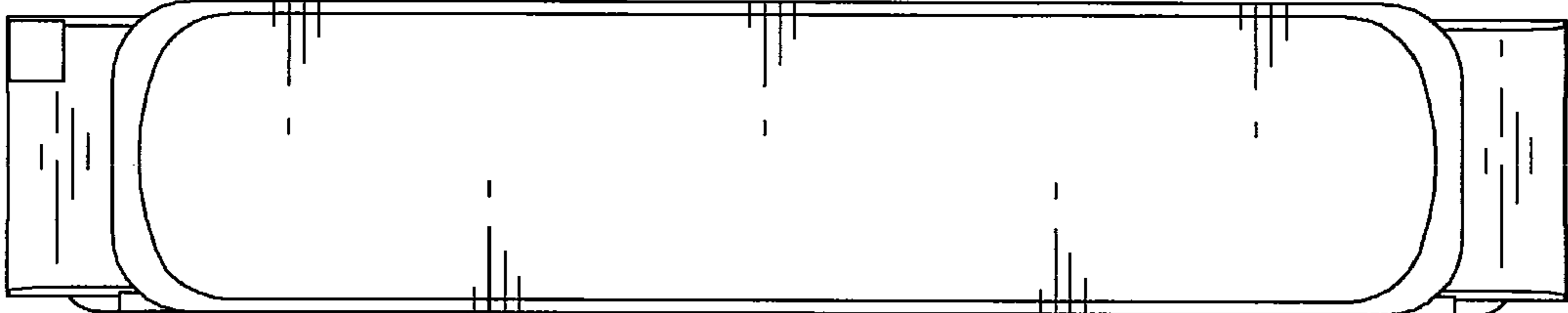


FIG. 3

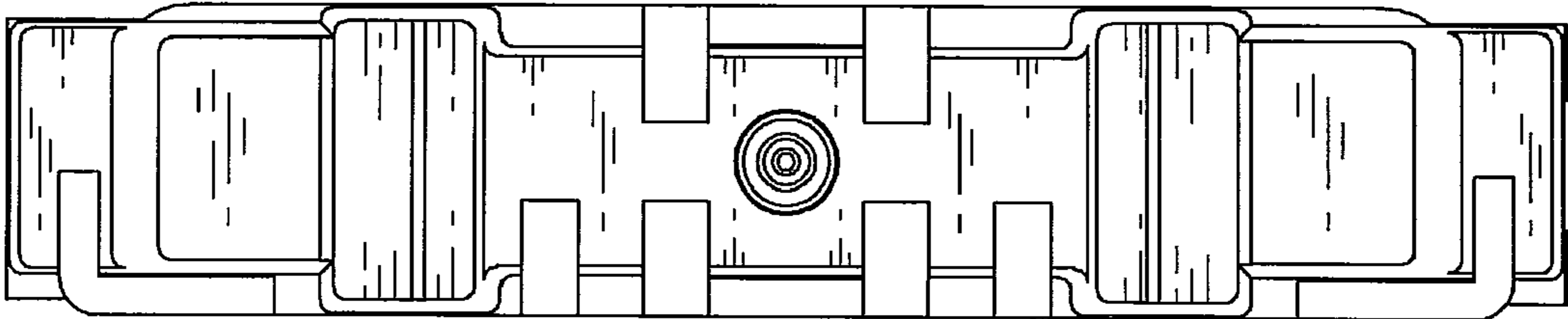


FIG. 4

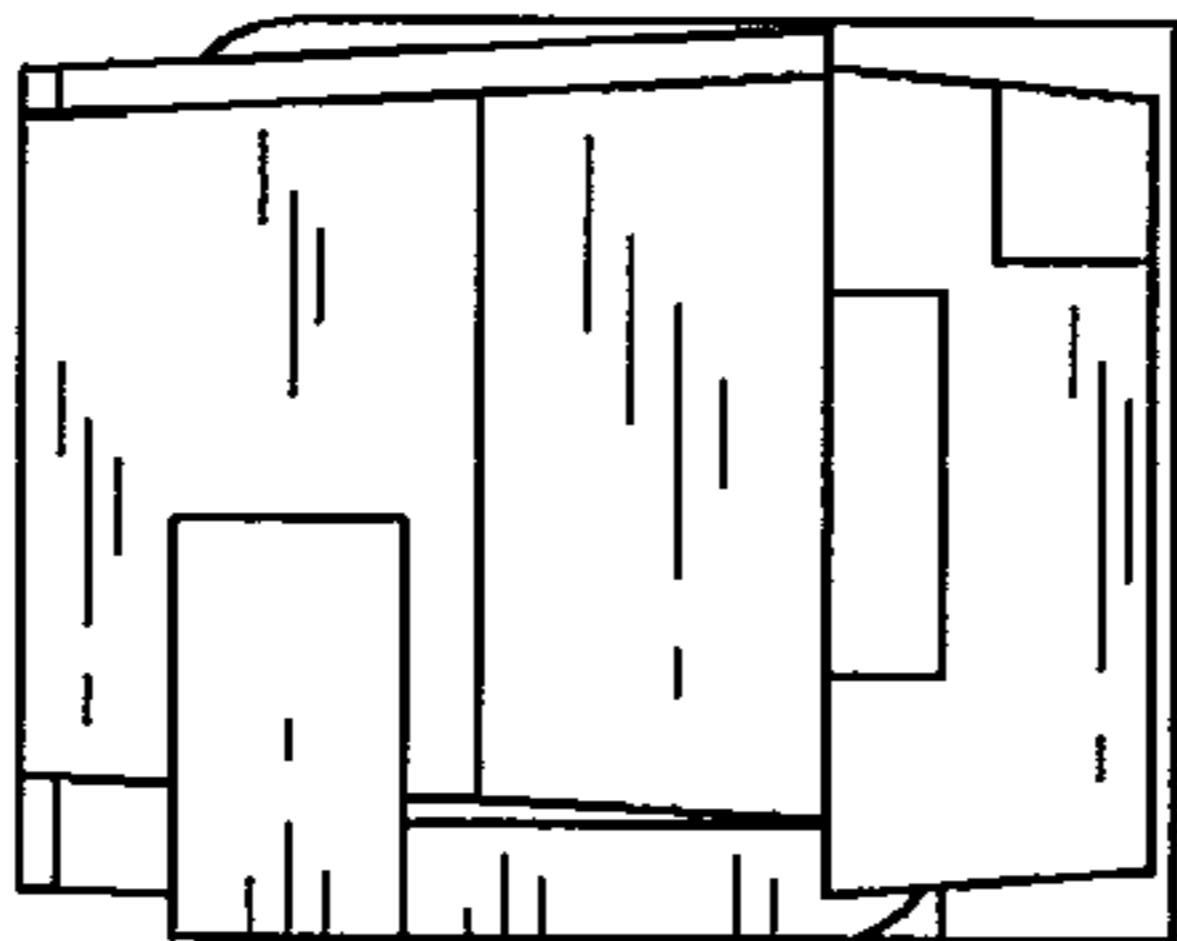


FIG. 5

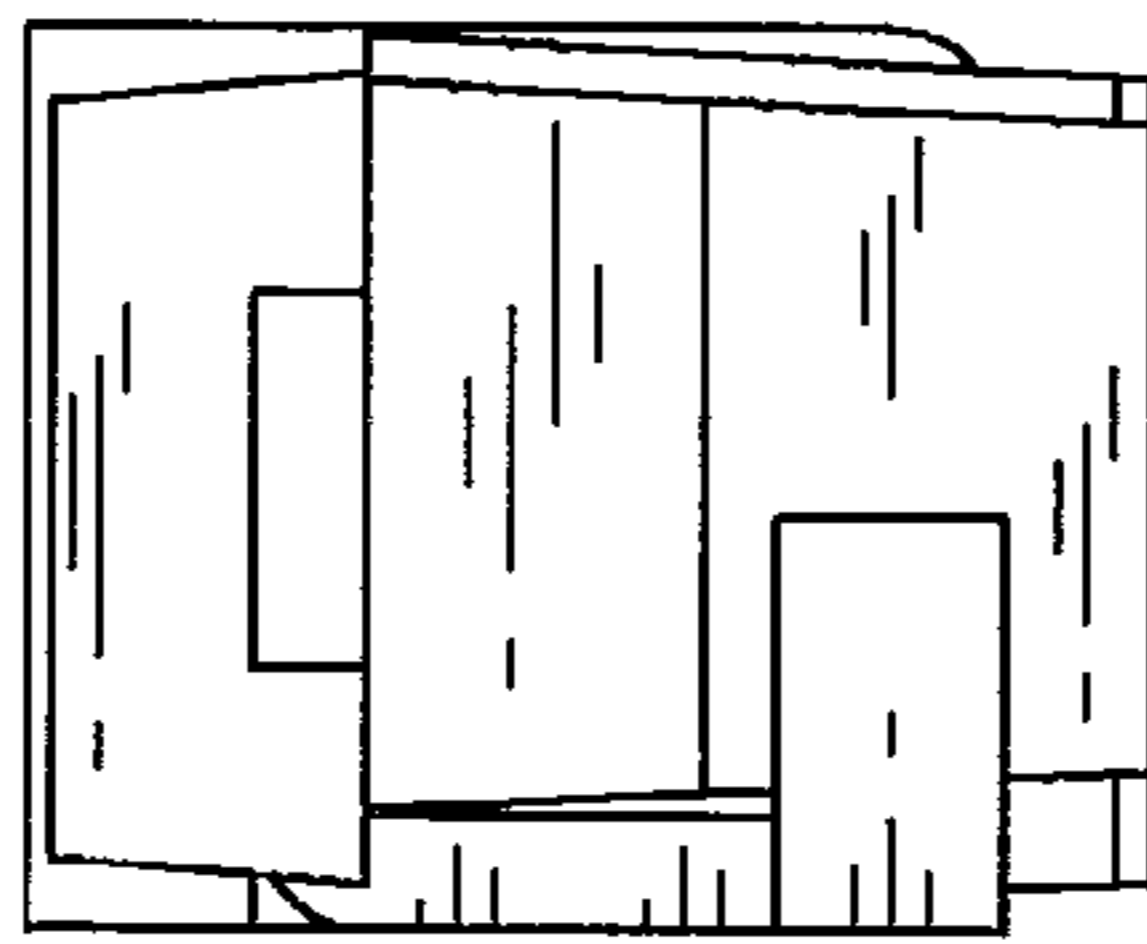


FIG. 6

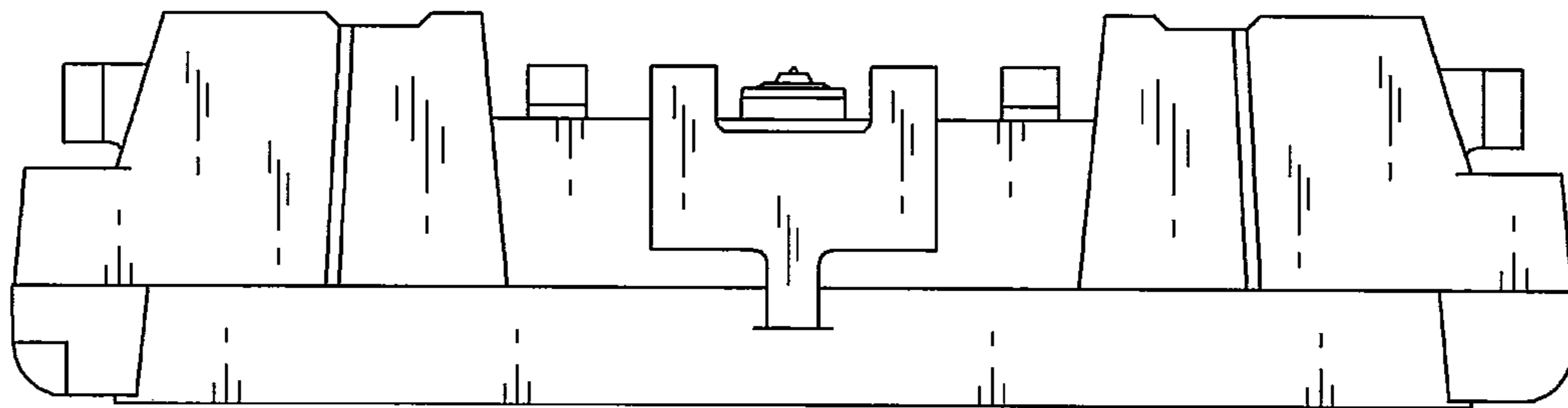


FIG. 7

