



US00D615934S

(12) **United States Design Patent**
Bolzan

(10) **Patent No.:** **US D615,934 S**
(45) **Date of Patent:** **** May 18, 2010**

(54) **LIGHT MODULE FOR SIGNALING**

2004/0041222 A1* 3/2004 Loh 257/433

(75) Inventor: **José Carlos Bolzan**, Tatui (BR)

* cited by examiner

(73) Assignee: **Rontan Eletro Metalurgica Ltda.**, Sao Paulo (BR)

Primary Examiner—Selina Sikder
(74) *Attorney, Agent, or Firm*—B. Aaron Schulman; Stites & Harbison PLLC

(**) Term: **14 Years**

(21) Appl. No.: **29/341,816**

(57) **CLAIM**

(22) Filed: **Aug. 13, 2009**

The ornamental design for a light module for signaling, as shown and described.

(51) **LOC (9) Cl.** **13-03**

(52) **U.S. Cl.** **D13/180**

(58) **Field of Classification Search** D13/180;
D26/2; 257/79, 80, 81, 88, 89, 95, 98, 99,
257/100, E33.058; 313/483, 498, 500; 362/555,
362/800

DESCRIPTION

See application file for complete search history.

FIG. 1 is a front perspective view showing the new design for the light module for signaling.

FIG. 2 is a rear perspective view thereof.

FIG. 3 is a front view thereof.

FIG. 4 is a rear view thereof.

FIG. 5 is a top view thereof.

FIG. 6 is a left view thereof.

FIG. 7 is a right view thereof; and,

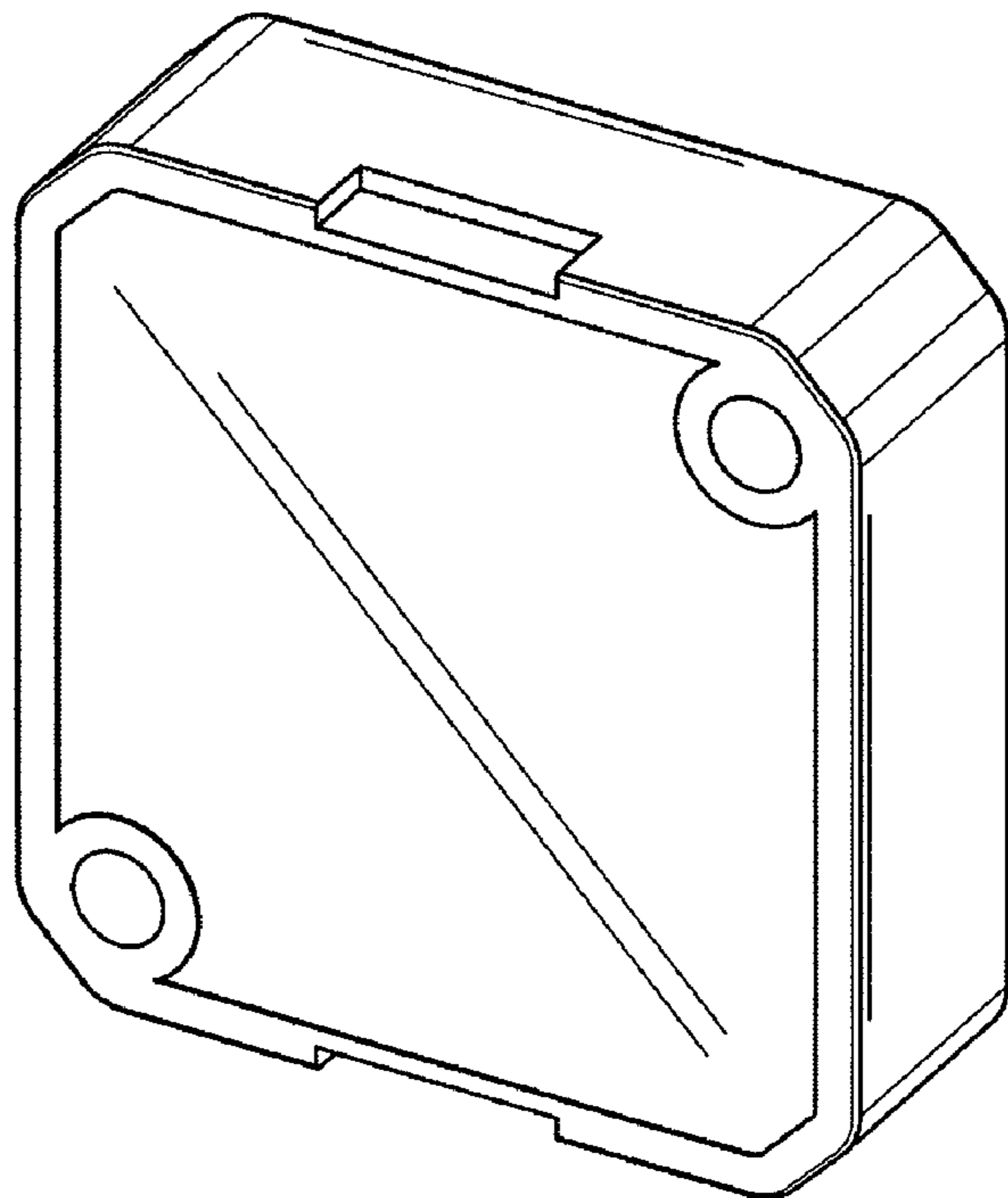
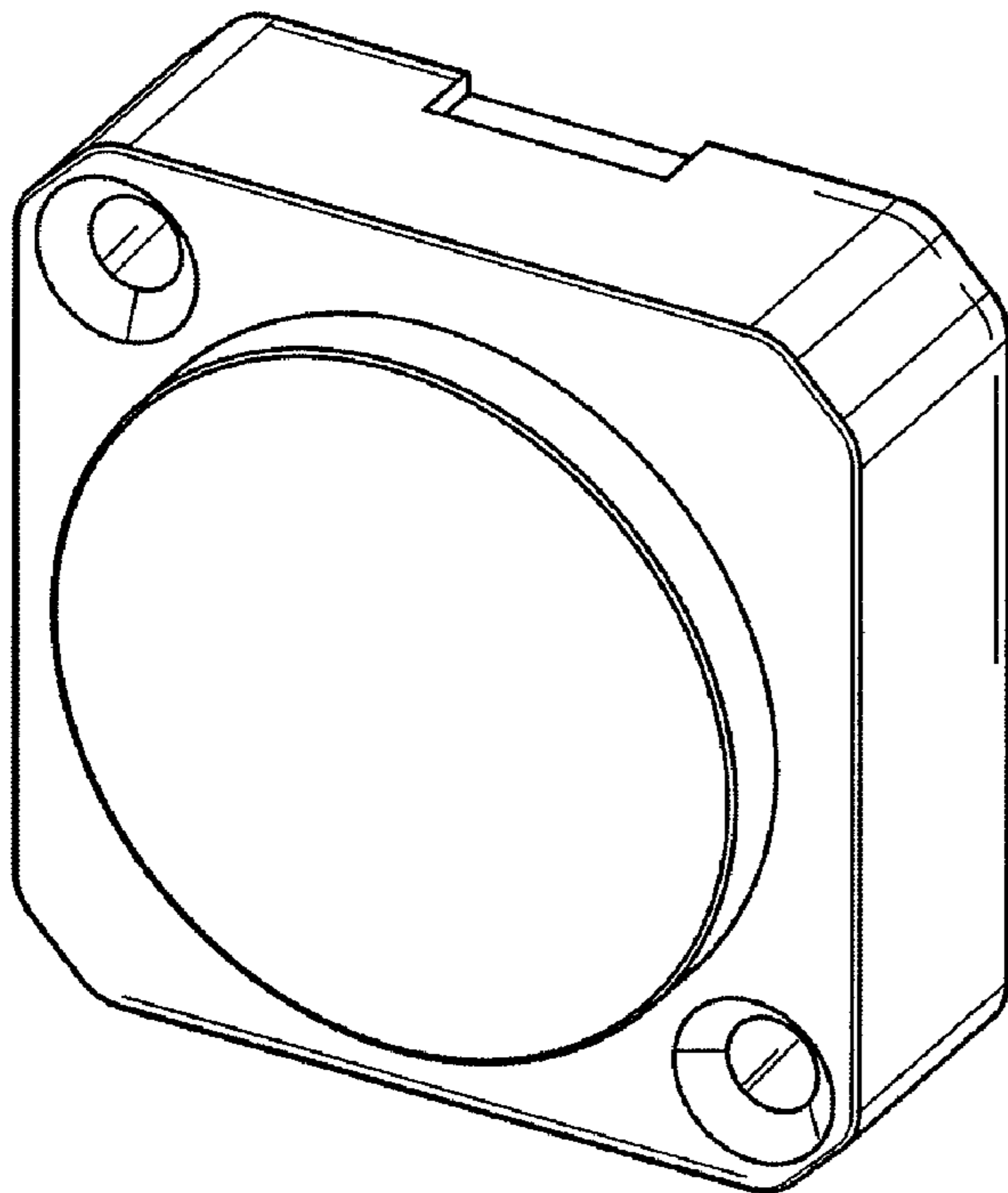
FIG. 8 is a bottom view thereof.

(56) **References Cited**

U.S. PATENT DOCUMENTS

D512,029 S * 11/2005 Kim et al. D13/180
D570,797 S * 6/2008 Song D13/180
D580,381 S * 11/2008 Bando D13/180
7,501,657 B2* 3/2009 Nagai 257/79

1 Claim, 3 Drawing Sheets



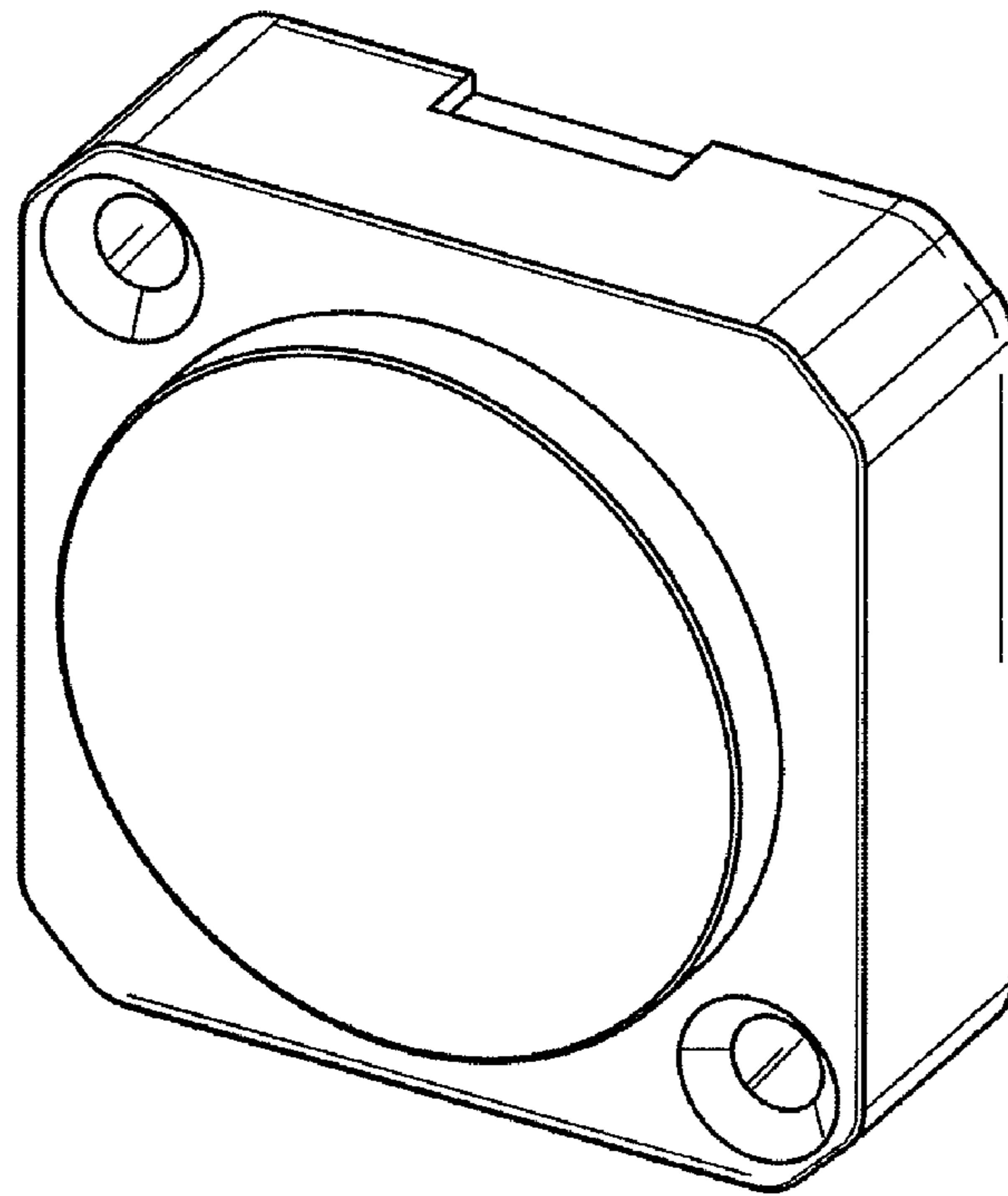


FIG.1

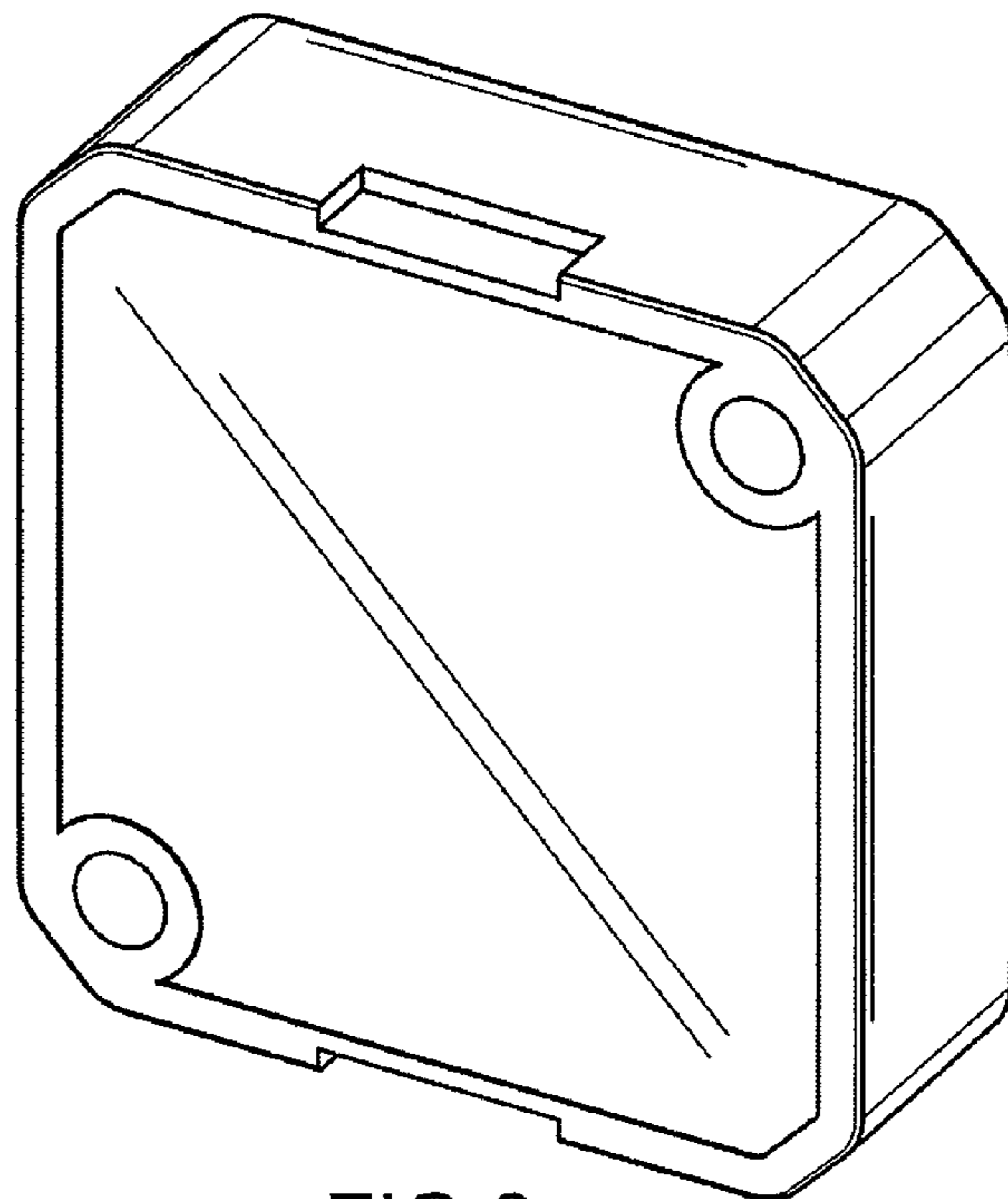


FIG.2

FIG.3

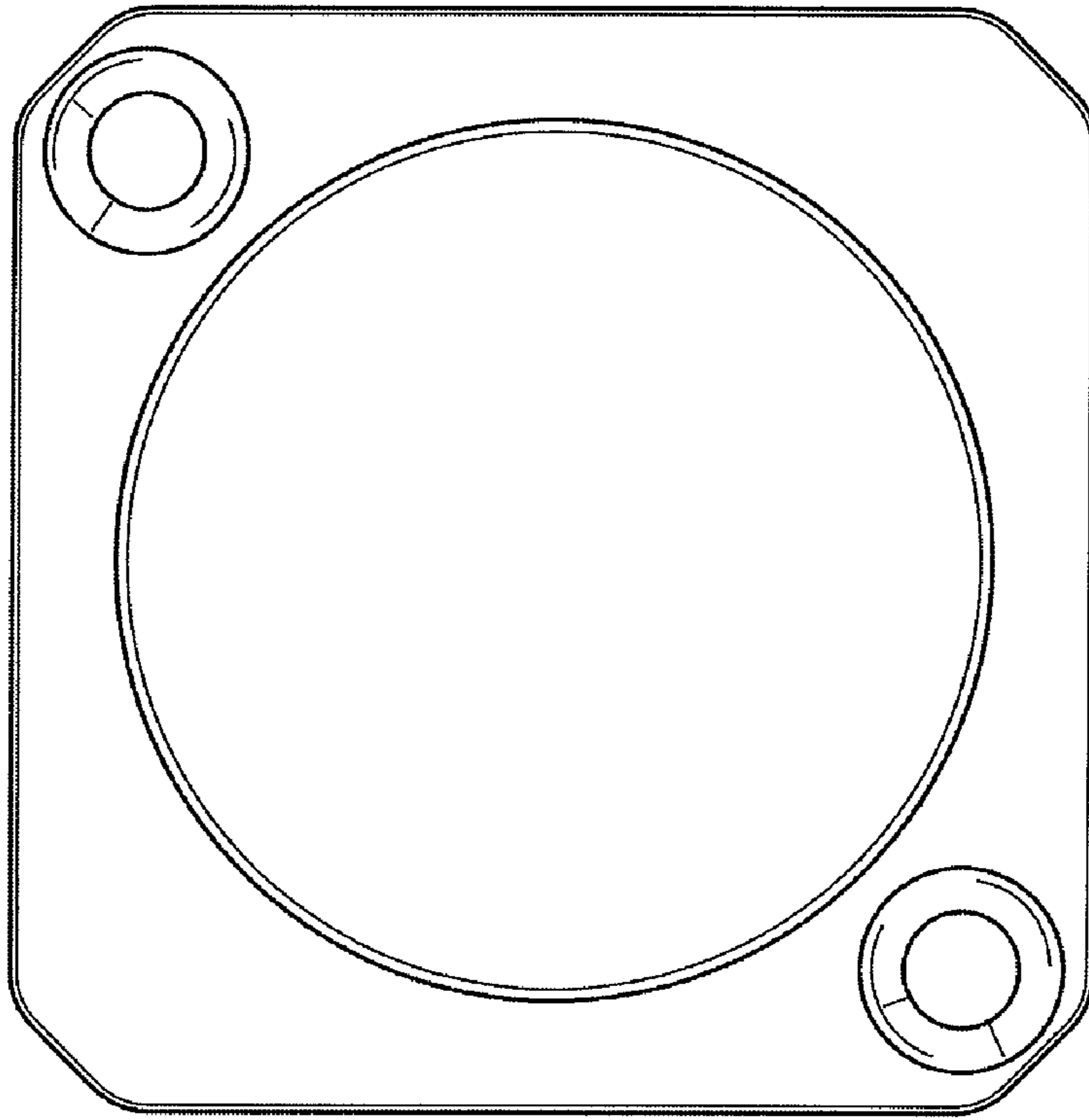
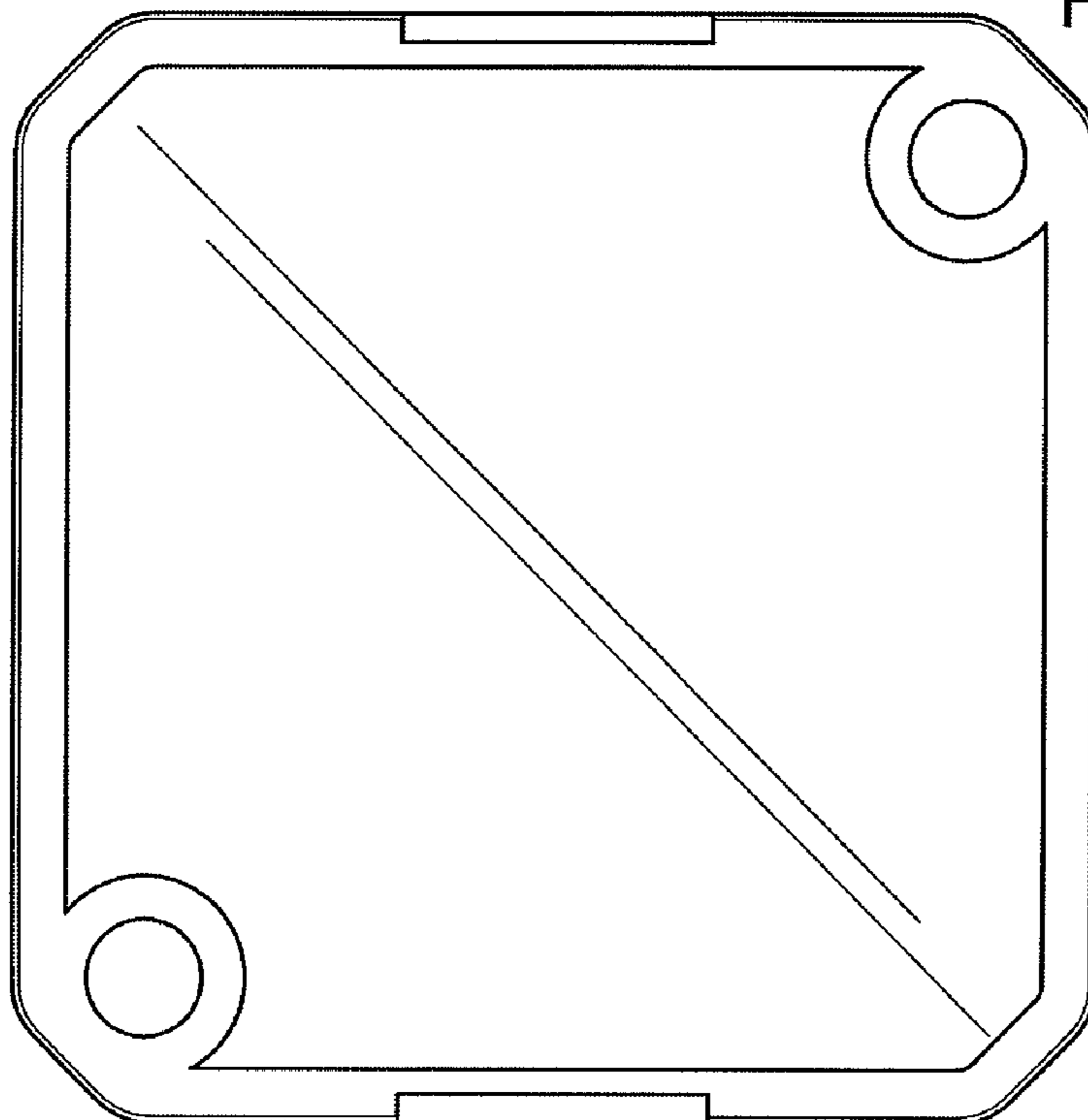


FIG.4



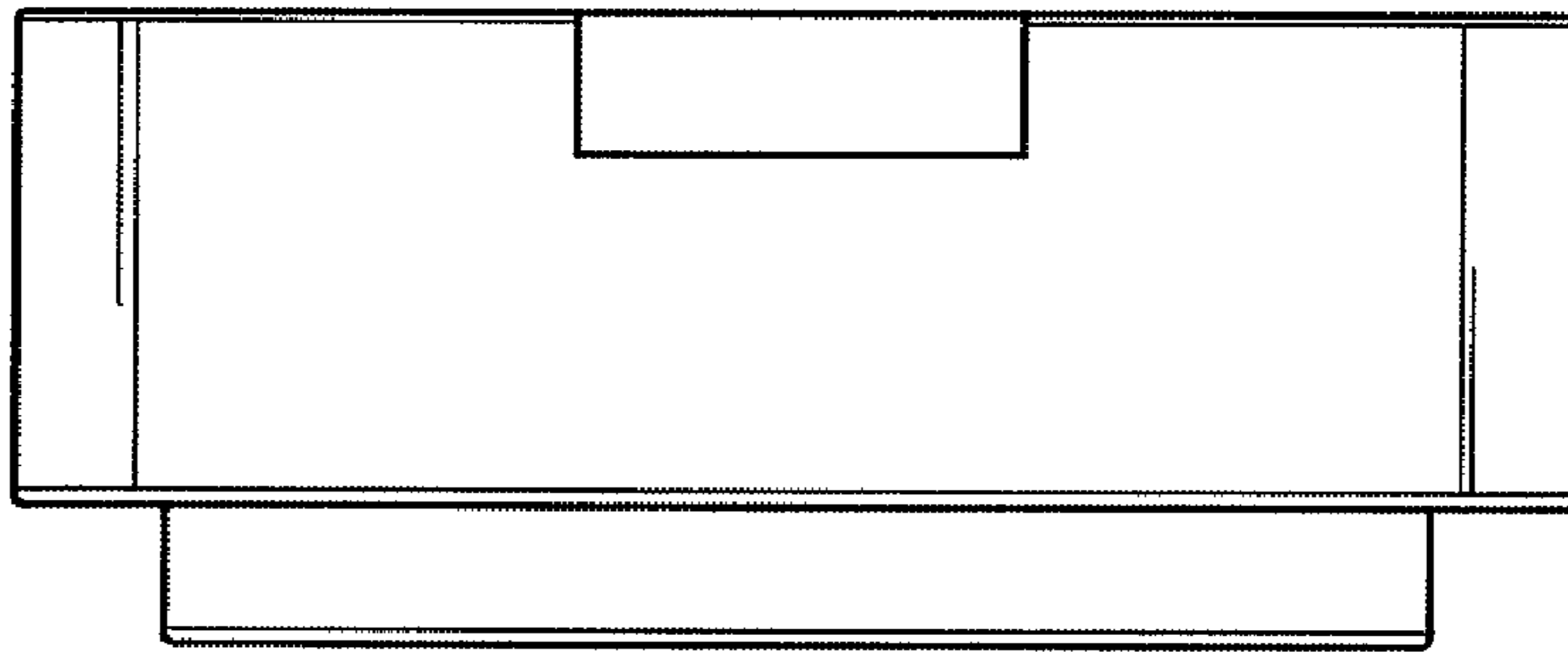


FIG. 5

FIG. 6

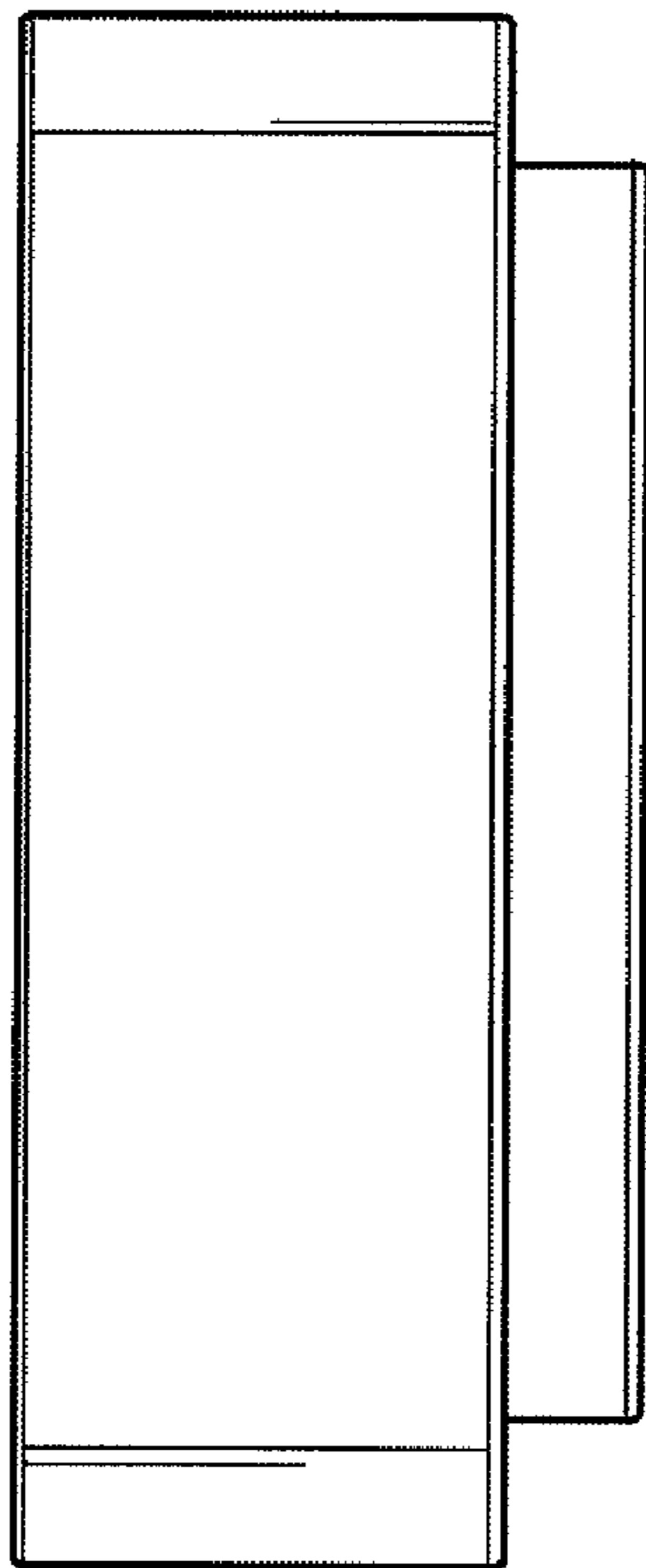


FIG. 7

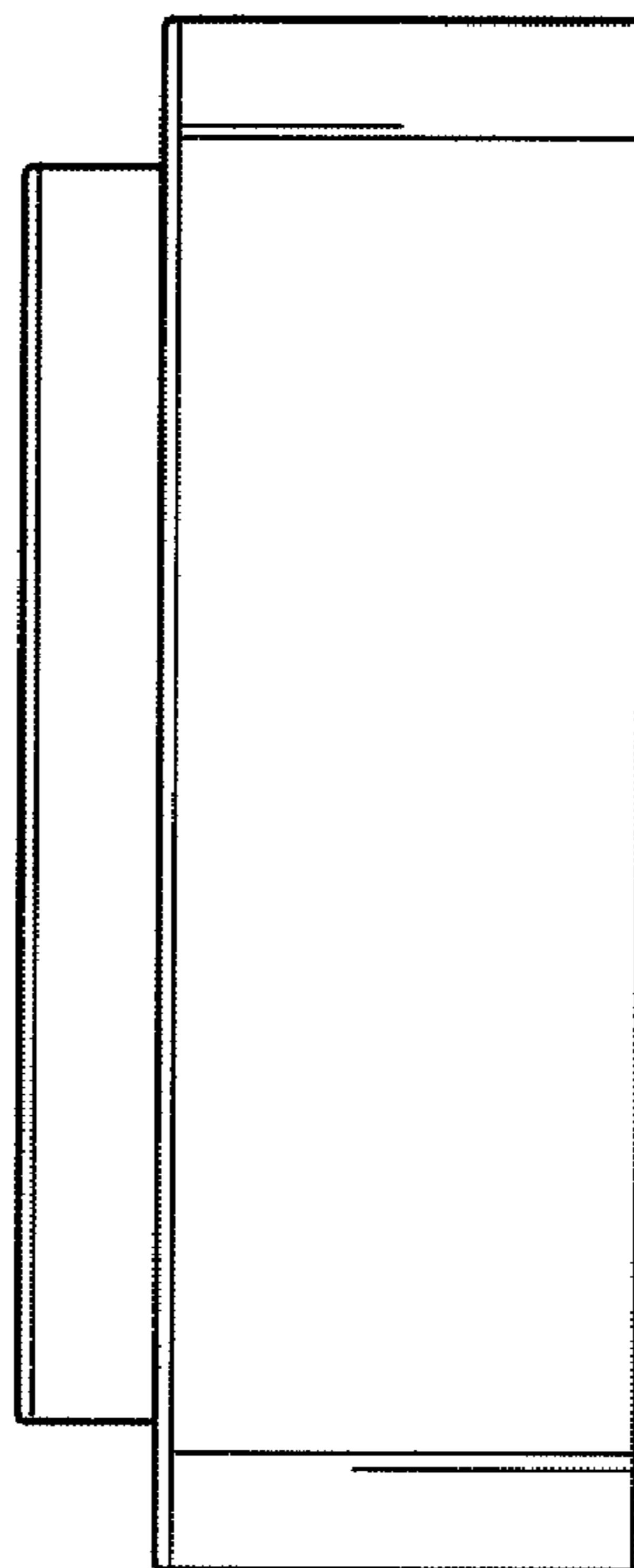


FIG. 8

