



US00D615931S

(12) **United States Design Patent**
Byrne

(10) **Patent No.:** **US D615,931 S**

(45) **Date of Patent:** **** *May 18, 2010**

(54) **ELECTRICAL CONNECTOR KEYING ARRANGEMENT**

(74) *Attorney, Agent, or Firm*—Varnum, Riddering, Schmidt & Howlett LLP

(76) Inventor: **Norman R. Byrne**, 2736 Honey Creek, NE., Ada, MI (US) 49301

(57) **CLAIM**

(*) Notice: This patent is subject to a terminal disclaimer.

I claim, the ornamental electrical connector keying arrangement, as shown and described.

(**) Term: **14 Years**

DESCRIPTION

(21) Appl. No.: **29/182,692**

FIG. 1 is a perspective view of a first embodiment of my electrical connector keying arrangement in accordance with the invention;

(22) Filed: **May 30, 2003**

FIG. 2 is an end view of the embodiment of my electrical connector keying arrangement illustrated in FIG. 1;

(51) **LOC (9) Cl.** **13-03**

(52) **U.S. Cl.** **D13/147**

(58) **Field of Classification Search** D13/146, D13/147; 385/53, 58, 71, 76, 77; 439/353, 439/354, 357, 358, 680, 681

FIG. 3 is a right-side elevation view of the first embodiment of my electrical connector keying arrangement illustrated in FIG. 1;

See application file for complete search history.

FIG. 4 is a plan view of the first embodiment of my electrical connector keying arrangement illustrated in FIG. 1;

(56) **References Cited**

U.S. PATENT DOCUMENTS

D252,269	S	*	7/1979	Jonsson	D13/147
4,345,813	A	*	8/1982	Hatch	439/681
4,990,099	A	*	2/1991	Marin et al.	439/284
5,289,554	A	*	2/1994	Cubukciyan et al.	385/76
5,521,997	A	*	5/1996	Rovenolt et al.	385/77
D474,746	S	*	5/2003	Rupert	D13/147

FIG. 5 is a perspective view of a second embodiment of my electrical connector keying arrangement in accordance with the invention;

* cited by examiner

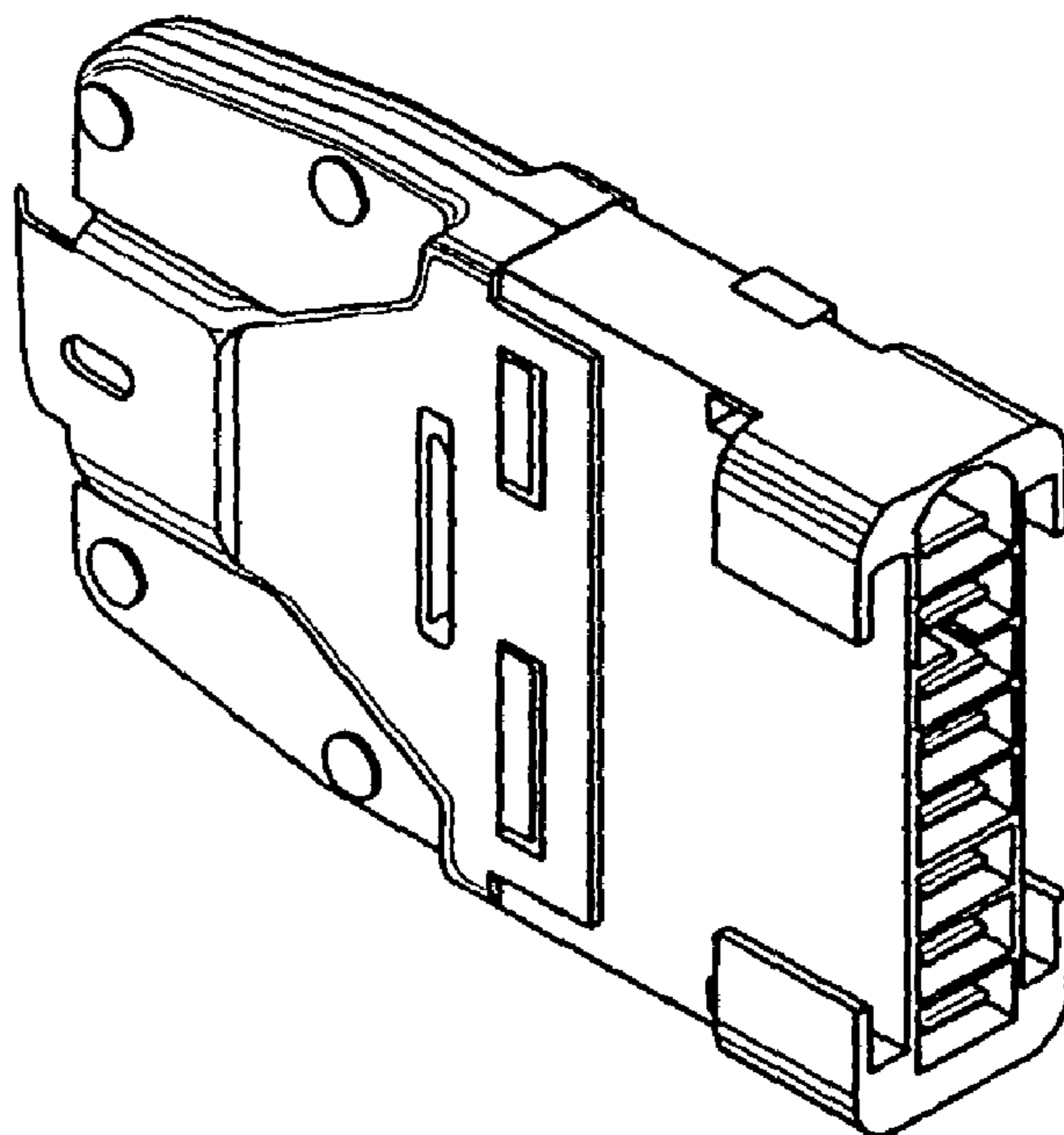
FIG. 6 is an end view of the second embodiment of my electrical connector keying arrangement illustrated in FIG. 5;

Primary Examiner—Stella Reid
Assistant Examiner—Selina Sikder

FIG. 7 is a right-side elevation view of the second embodiment of my electrical connector keying arrangement illustrated in FIG. 5; and,

FIG. 8 is a plan view of the second embodiment of my electrical connector keying arrangement illustrated in FIG. 5.

1 Claim, 2 Drawing Sheets



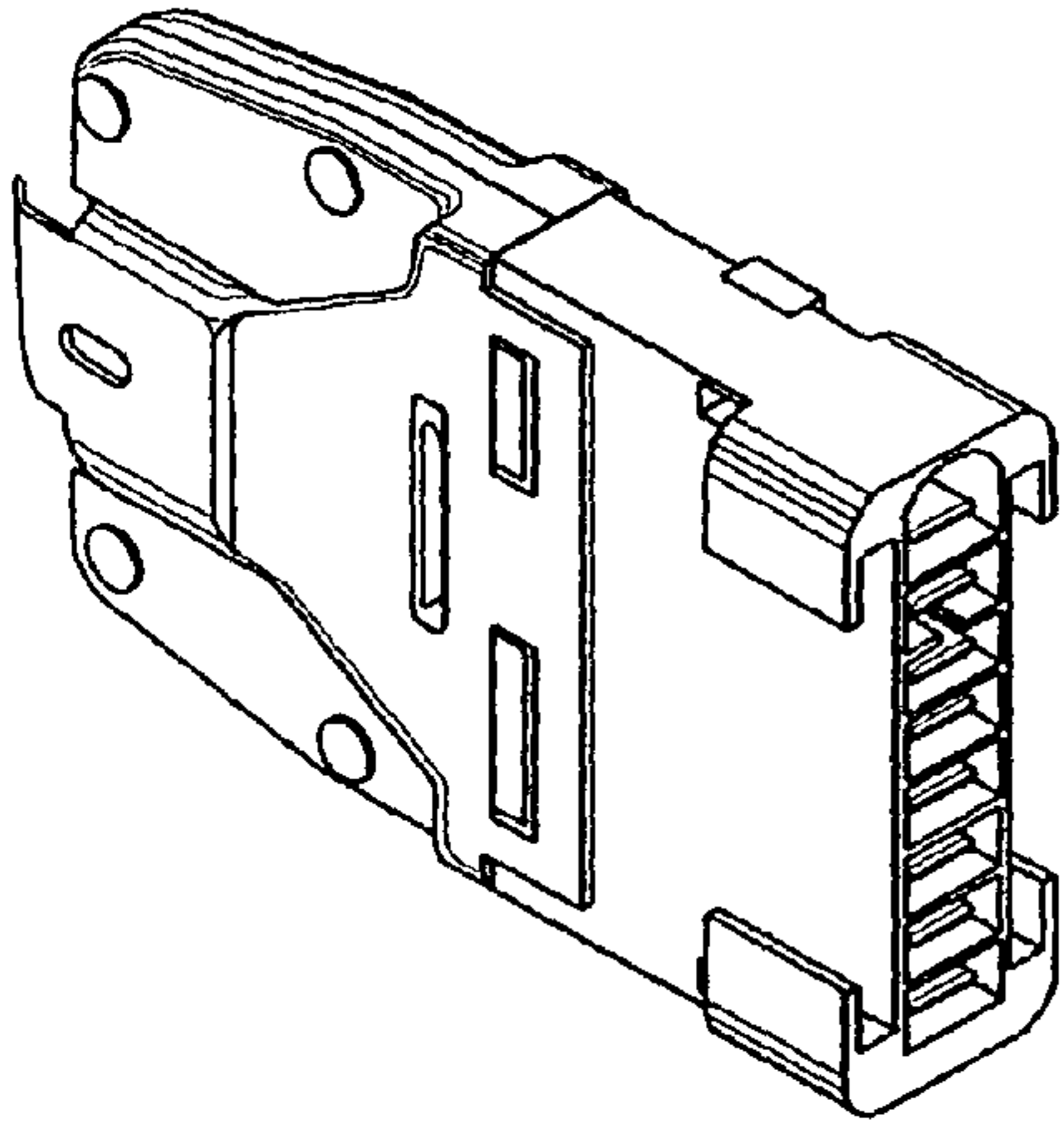


Fig. 1

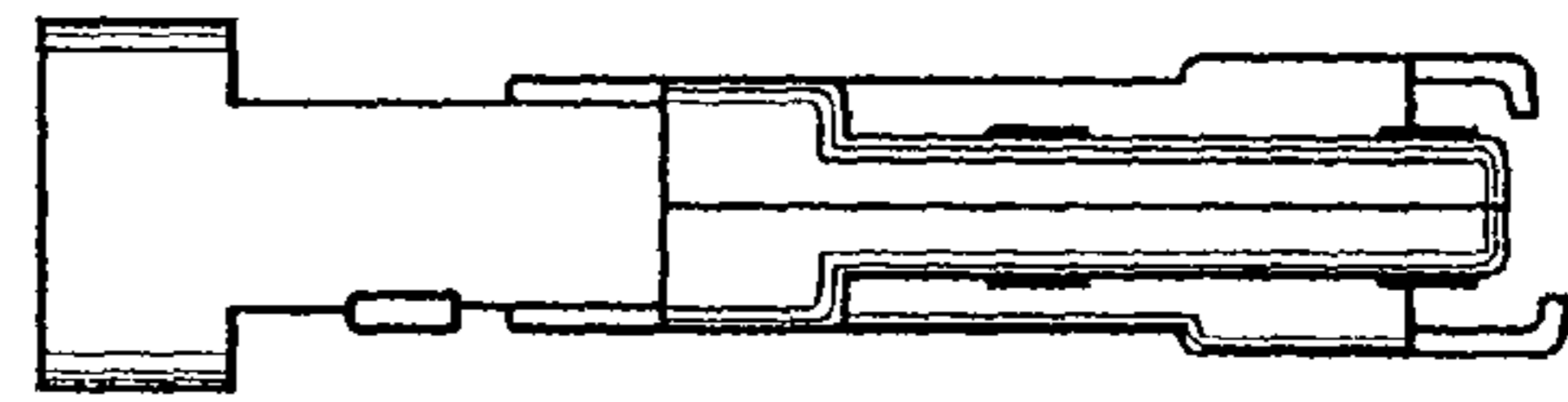


Fig. 4

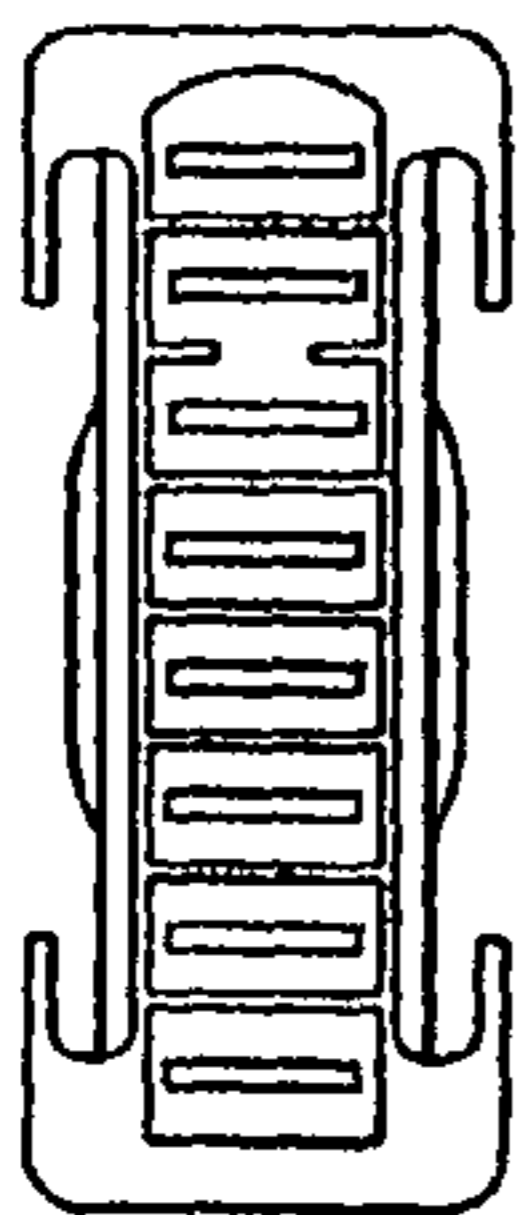


Fig. 2

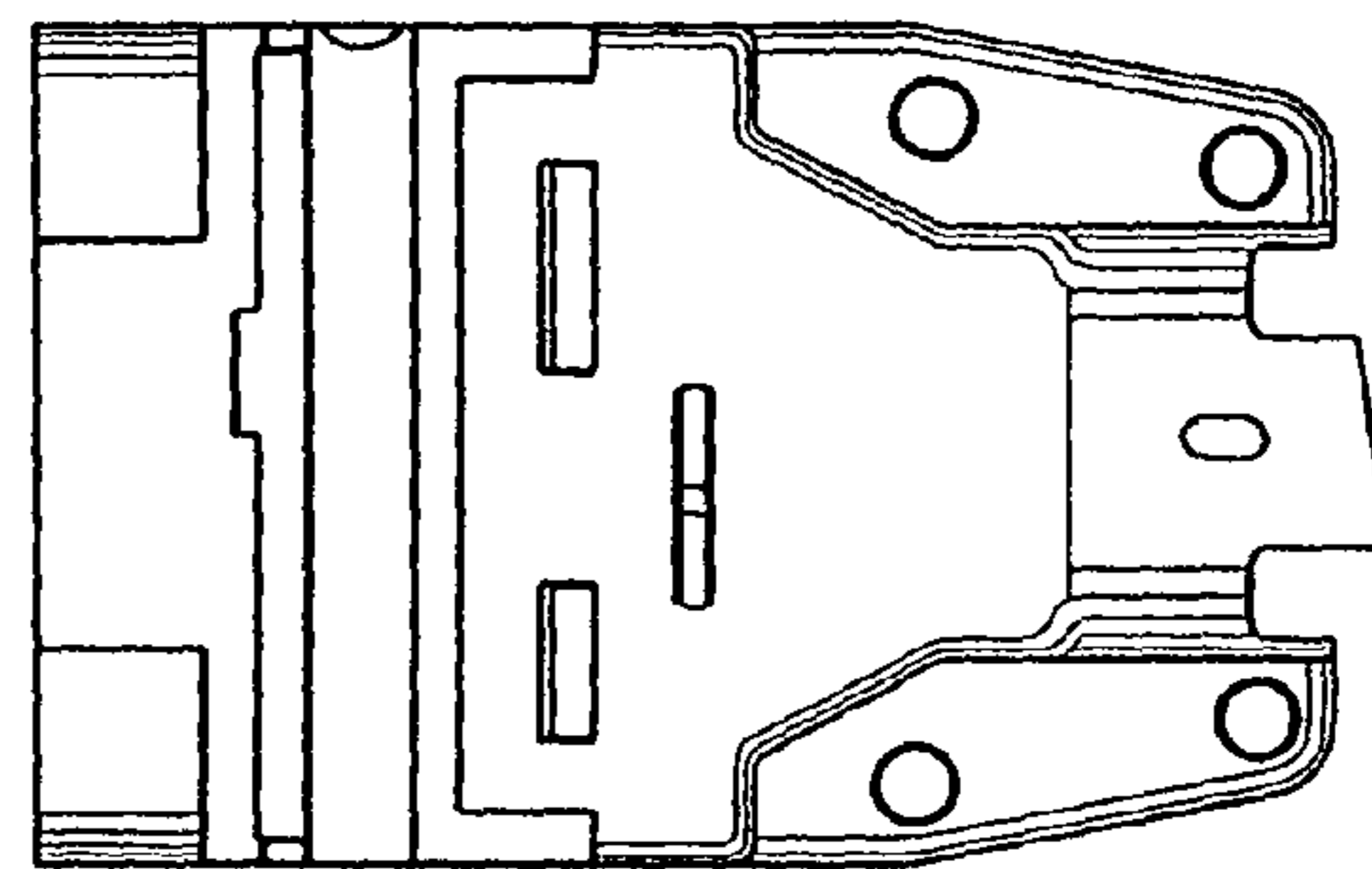


Fig. 3

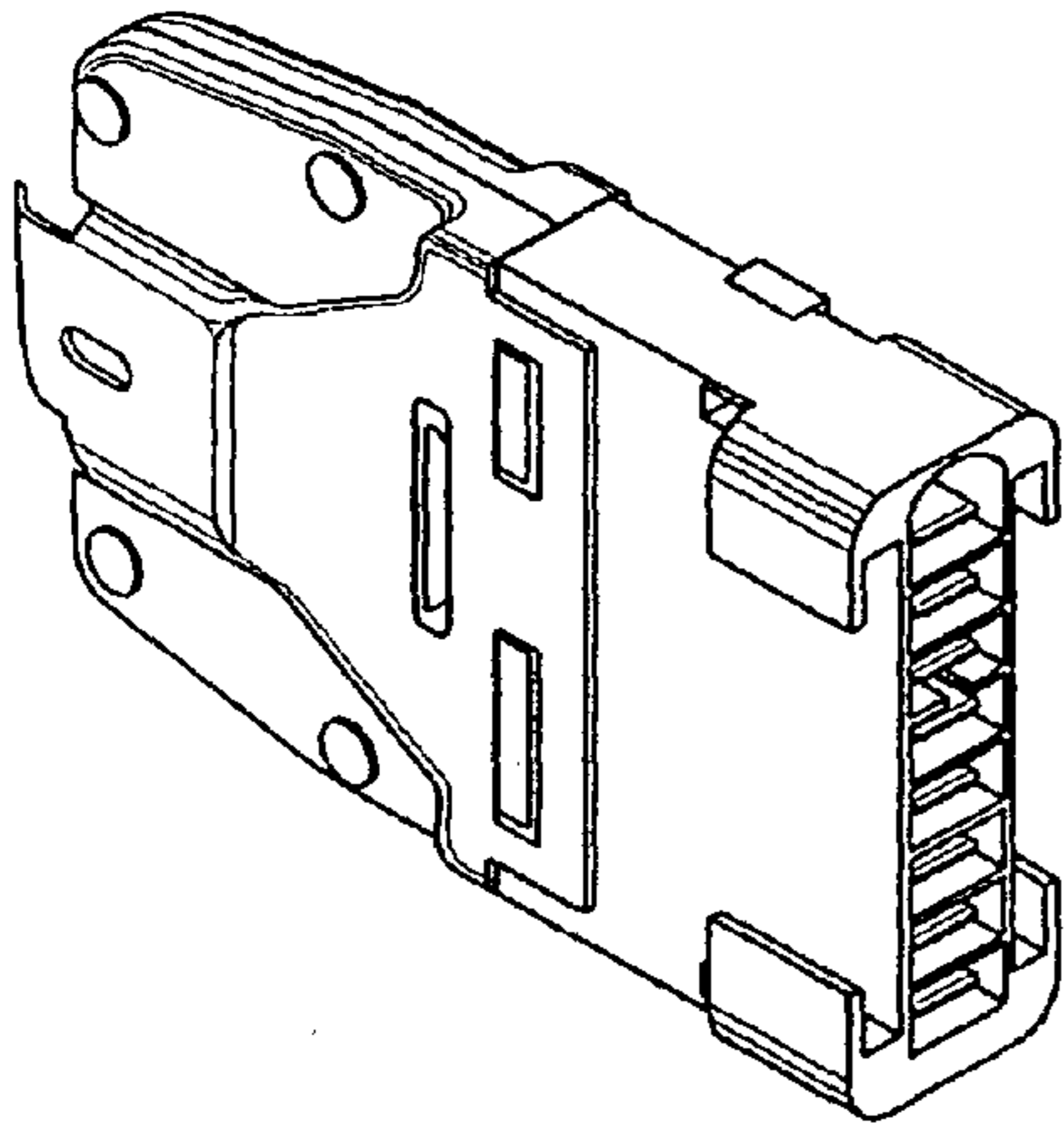


Fig. 5

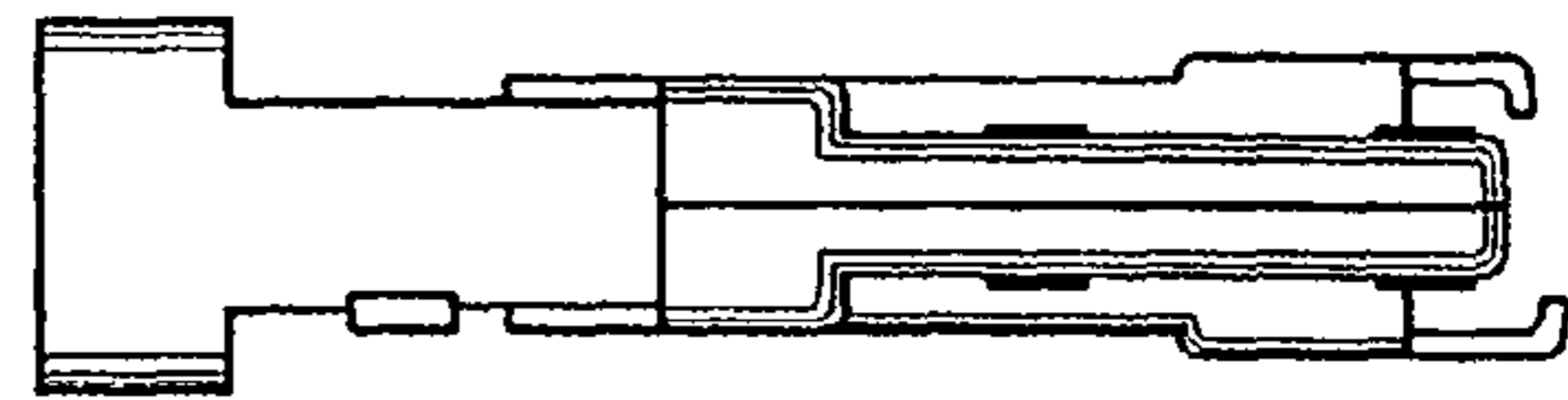


Fig. 8

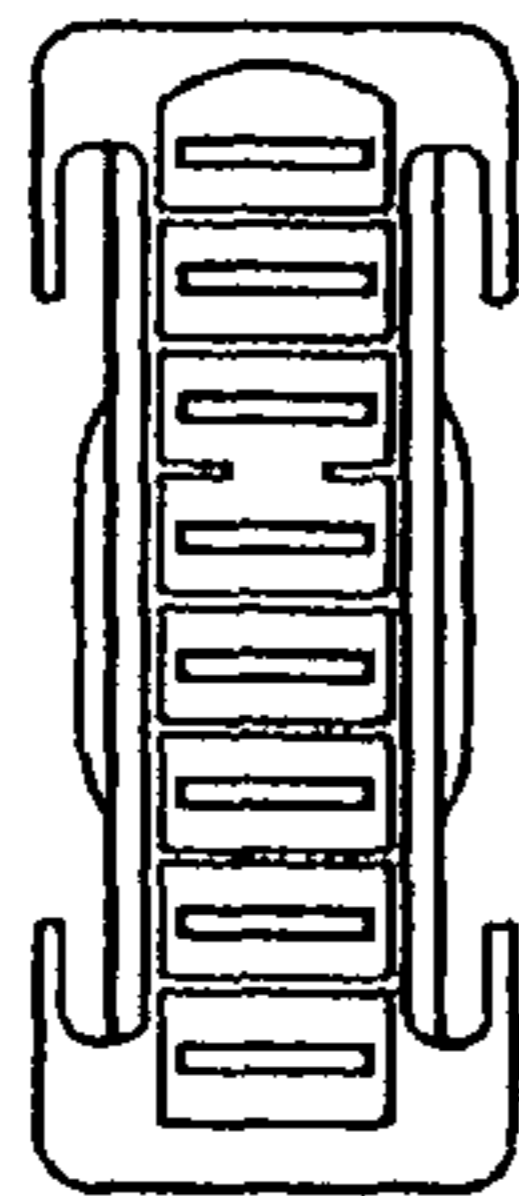


Fig. 6

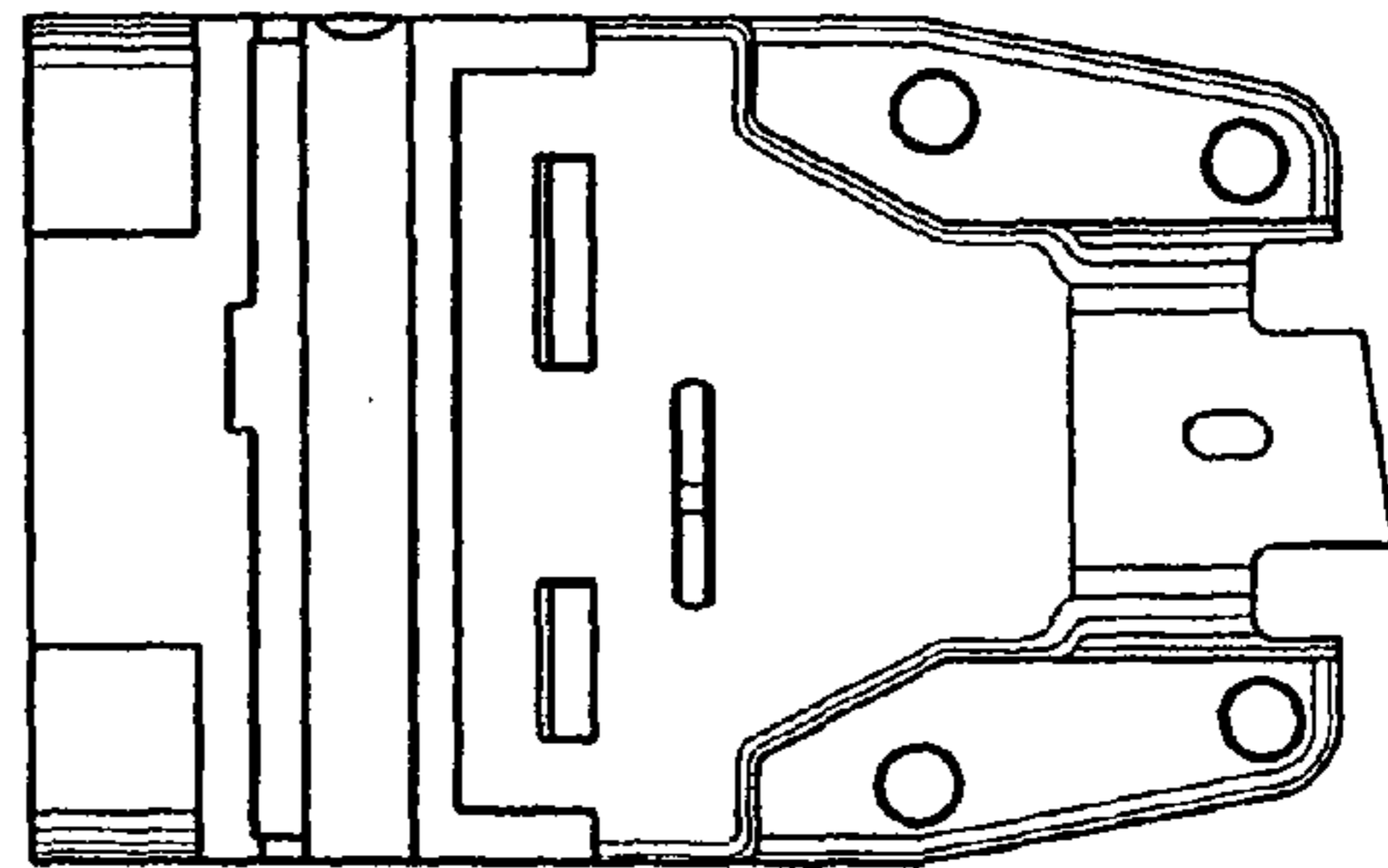


Fig. 7