



US00D615930S

(12) **United States Design Patent**
Upham et al.

(10) **Patent No.:** **US D615,930 S**

(45) **Date of Patent:** **** May 18, 2010**

(54) **TRAILER WIRING CONNECTOR**

6,259,170 B1 * 7/2001 Limoge et al. 307/10.8
D514,068 S * 1/2006 Scheller et al. D13/147

(75) Inventors: **Matthew Neal Upham**, Neosho Rapids, KS (US); **Daniel L. Scheller**, Emporia, KS (US)

* cited by examiner

Primary Examiner—Daniel D Bui

(73) Assignee: **Hopkins Manufacturing Corporation**, Emporia, KS (US)

(74) *Attorney, Agent, or Firm*—George R. McGuire; Bond, Schoeneck & King, PLLC

(**) Term: **14 Years**

(57) **CLAIM**

(21) Appl. No.: **29/327,175**

The ornamental design for a trailer wiring connector, as shown and described.

(22) Filed: **Oct. 31, 2008**

DESCRIPTION

(51) **LOC (9) Cl.** **13-03**

FIG. 1 is a perspective view of a trailer wiring connector showing our new design;

(52) **U.S. Cl.** **D13/146**

FIG. 2 is a bottom plan view thereof;

(58) **Field of Classification Search** D13/146,

FIG. 3 is a top plan view thereof;

D13/147, 154, 184; 439/35, 135, 136, 138, 439/142, 149, 152, 344, 347, 378, 460, 521, 439/527, 676

FIG. 4 is a front elevation view thereof;

See application file for complete search history.

FIG. 5 is a rear elevation thereof;

(56) **References Cited**

FIG. 6 is a first side elevation view thereof; and,

U.S. PATENT DOCUMENTS

FIG. 7 is a second side elevation view thereof.

4,057,310 A * 11/1977 Young 439/35

The broken line portion of the figure drawings is included to show unclaimed subject matter only and forms no part of the claimed design.

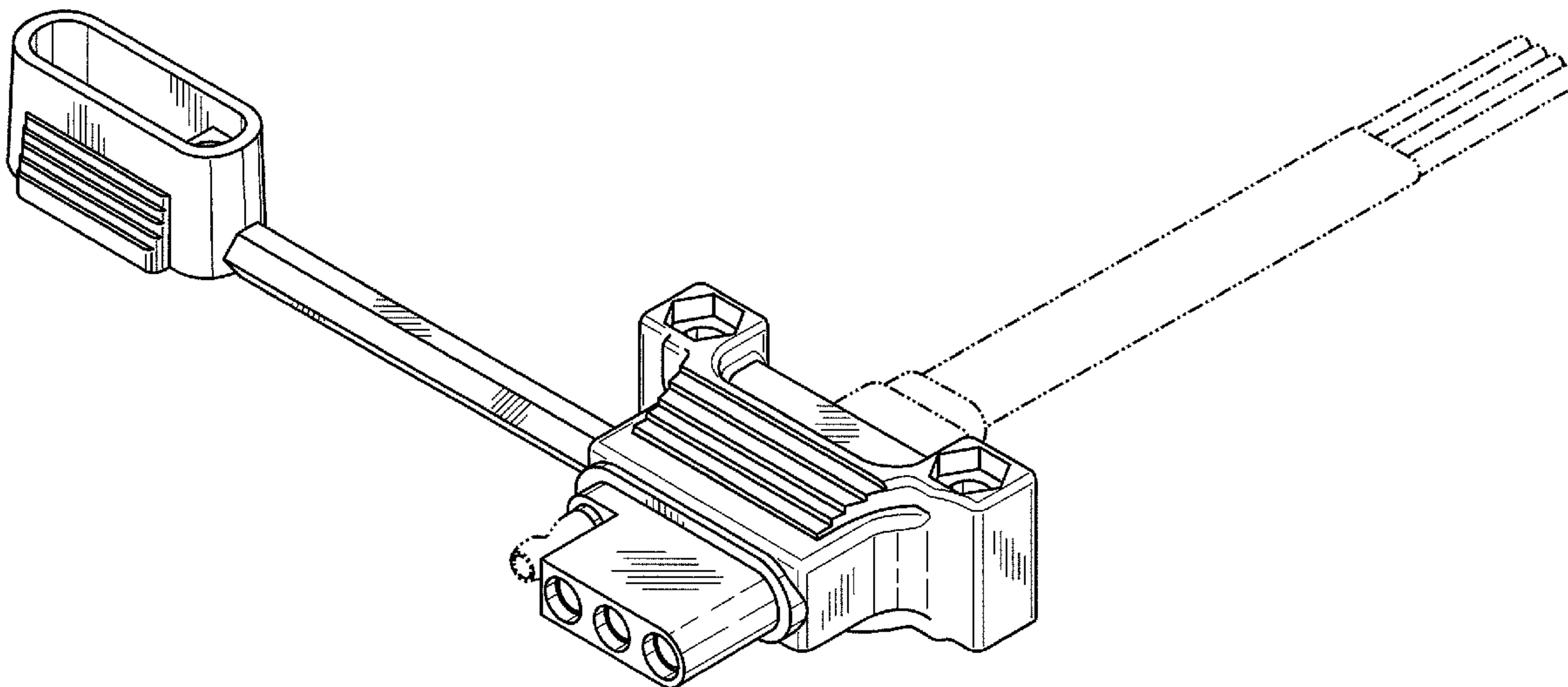
D344,065 S * 2/1994 Hughes D13/147

5,514,009 A * 5/1996 Hughes 439/35

5,630,728 A * 5/1997 Watters, Jr. 439/528

D411,829 S * 7/1999 Pancheri et al. D13/147

1 Claim, 4 Drawing Sheets



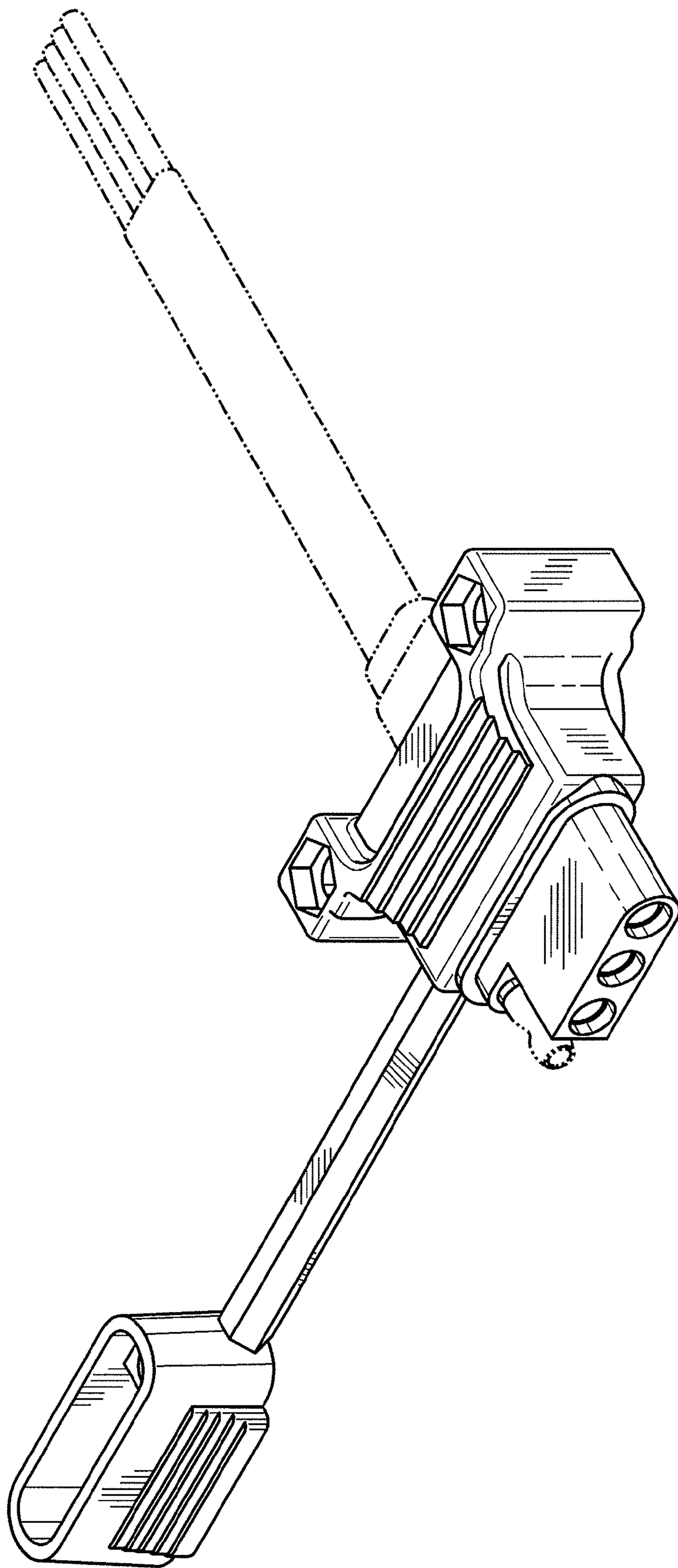


Fig. 1

Fig. 2

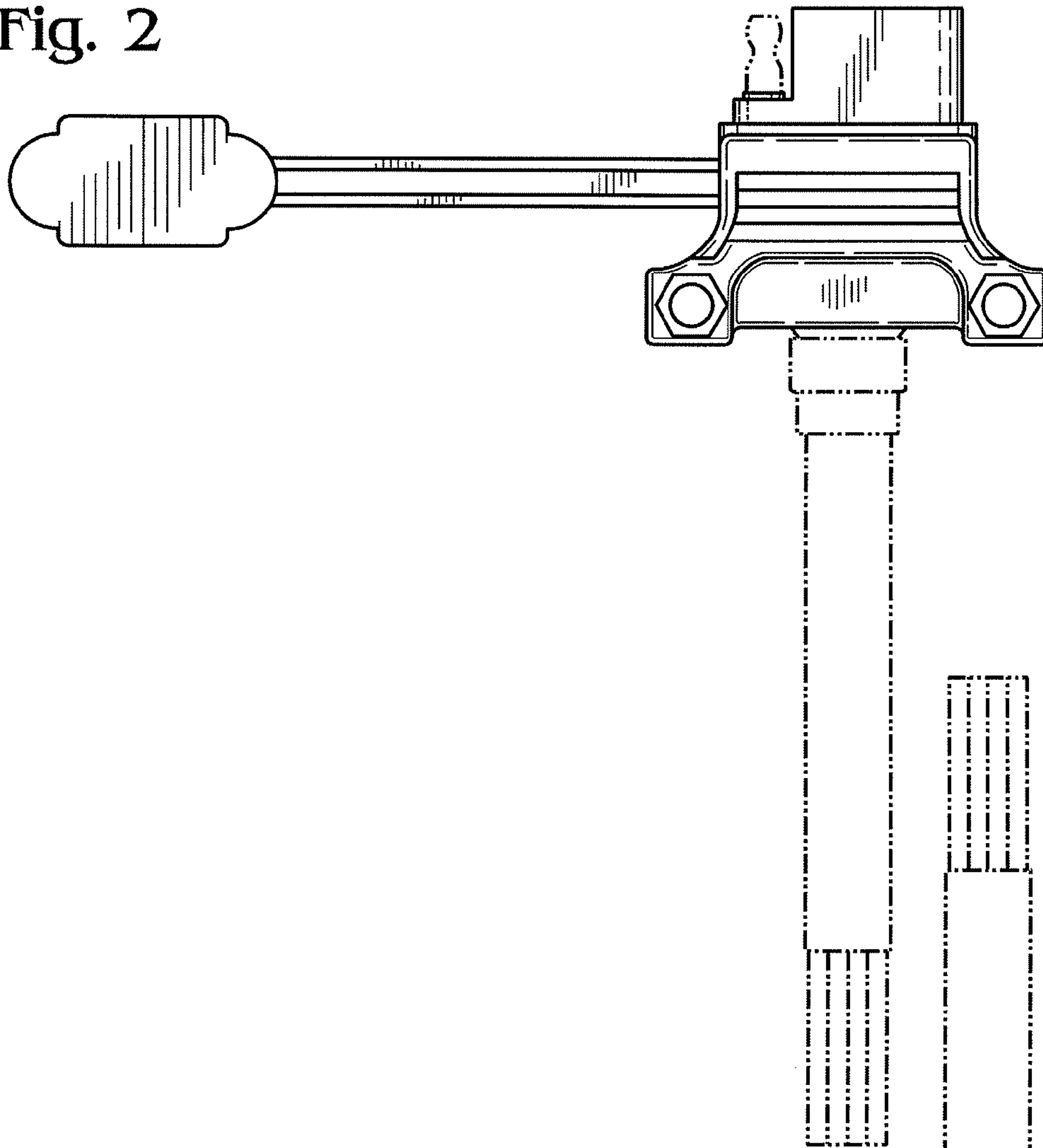
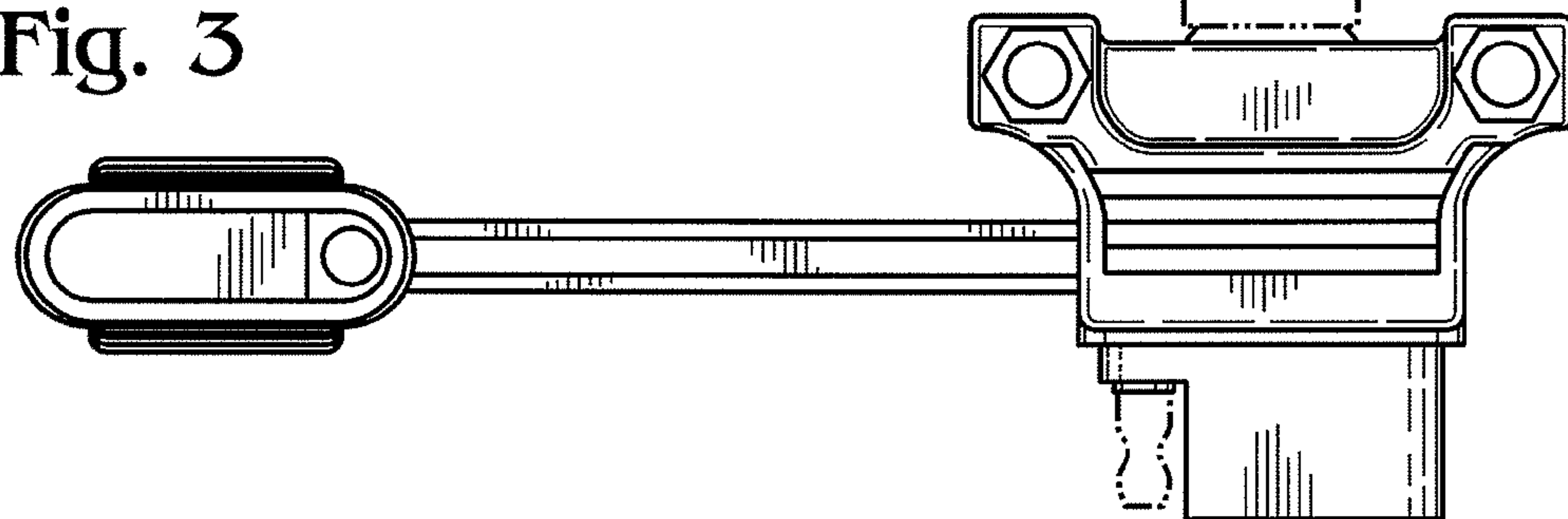


Fig. 3



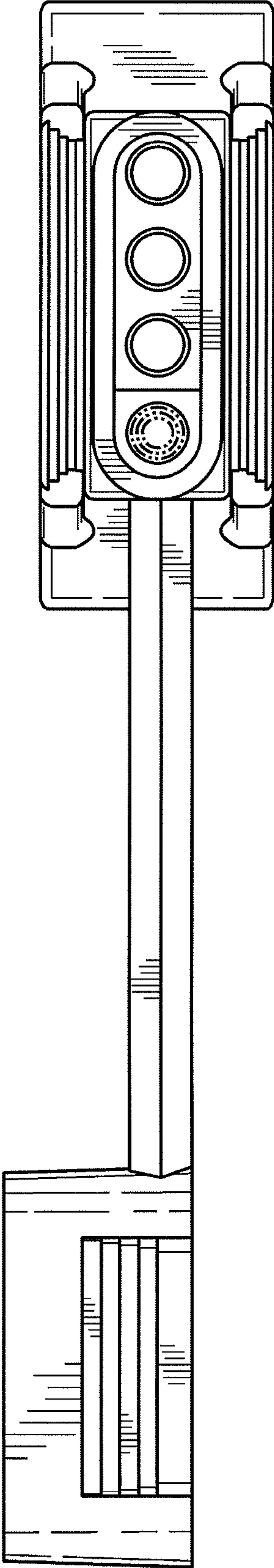


Fig. 4

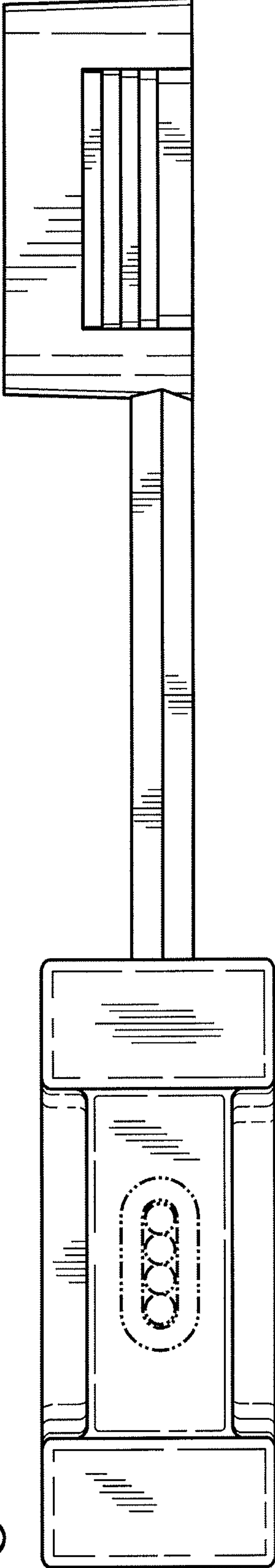


Fig. 5

Fig. 6

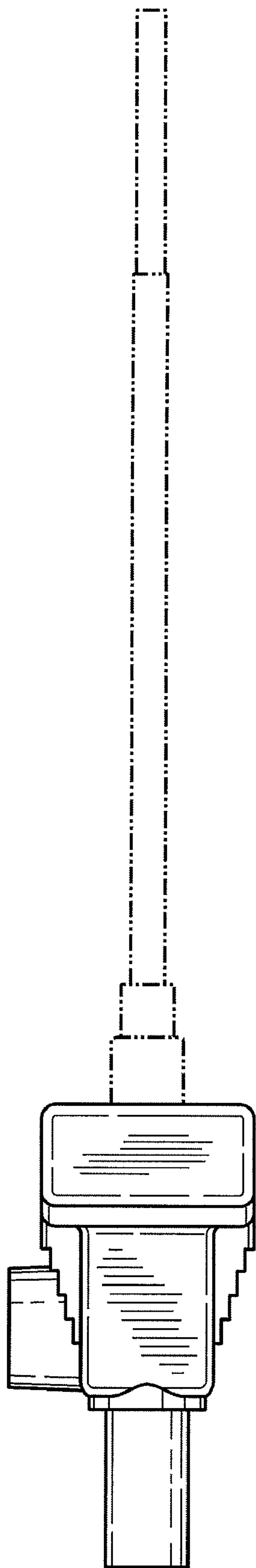


Fig. 7

