



US00D615928S

(12) **United States Design Patent**  
**Kalina**

(10) **Patent No.:** **US D615,928 S**

(45) **Date of Patent:** **\*\* May 18, 2010**

(54) **ADAPTER**

(75) Inventor: **Daniel Kalina**, Kibbutz Gaash (IL)

(73) Assignee: **Gaash Lighting Products Ltd.**, Gaash (IL)

(\*\*) Term: **14 Years**

(21) Appl. No.: **29/340,207**

(22) Filed: **Jul. 15, 2009**

(30) **Foreign Application Priority Data**

Jan. 15, 2009 (IL) ..... 47133

(51) **LOC (9) Cl.** ..... **13-03**

(52) **U.S. Cl.** ..... **D13/134**

(58) **Field of Classification Search** ..... D13/133-136,  
D13/154, 184, 199; D26/24, 113; 313/318.01-318.05,  
313/318.12; 362/260, 581; 439/168, 220,  
439/226, 232, 280, 336, 419, 602

See application file for complete search history.

(56) **References Cited**

**U.S. PATENT DOCUMENTS**

D282,062 S \* 1/1986 Cummings ..... D13/135  
D294,019 S \* 2/1988 Futatsugi et al. .... D13/134  
D296,207 S \* 6/1988 Futatsugi et al. .... D13/134  
D304,716 S \* 11/1989 Johnson et al. .... D13/134

D321,502 S \* 11/1991 Ilemo ..... D13/135  
D387,730 S \* 12/1997 McCarthy ..... D13/133  
D397,811 S \* 9/1998 Vakil ..... D26/3  
D448,096 S \* 9/2001 Choi ..... D26/3  
D546,762 S \* 7/2007 Kovacs ..... D13/134

\* cited by examiner

*Primary Examiner*—Daniel D Bui

*Assistant Examiner*—Thomas J Johannes

(74) *Attorney, Agent, or Firm*—Myers Bigel Sibley & Sajovec

(57) **CLAIM**

The ornamental design for the adapter, as shown and described.

**DESCRIPTION**

FIG. 1 is a front perspective view of an adapter showing my design;

FIG. 2 is an opposing back perspective view thereof;

FIG. 3 is a front view thereof;

FIG. 4 is a side view thereof;

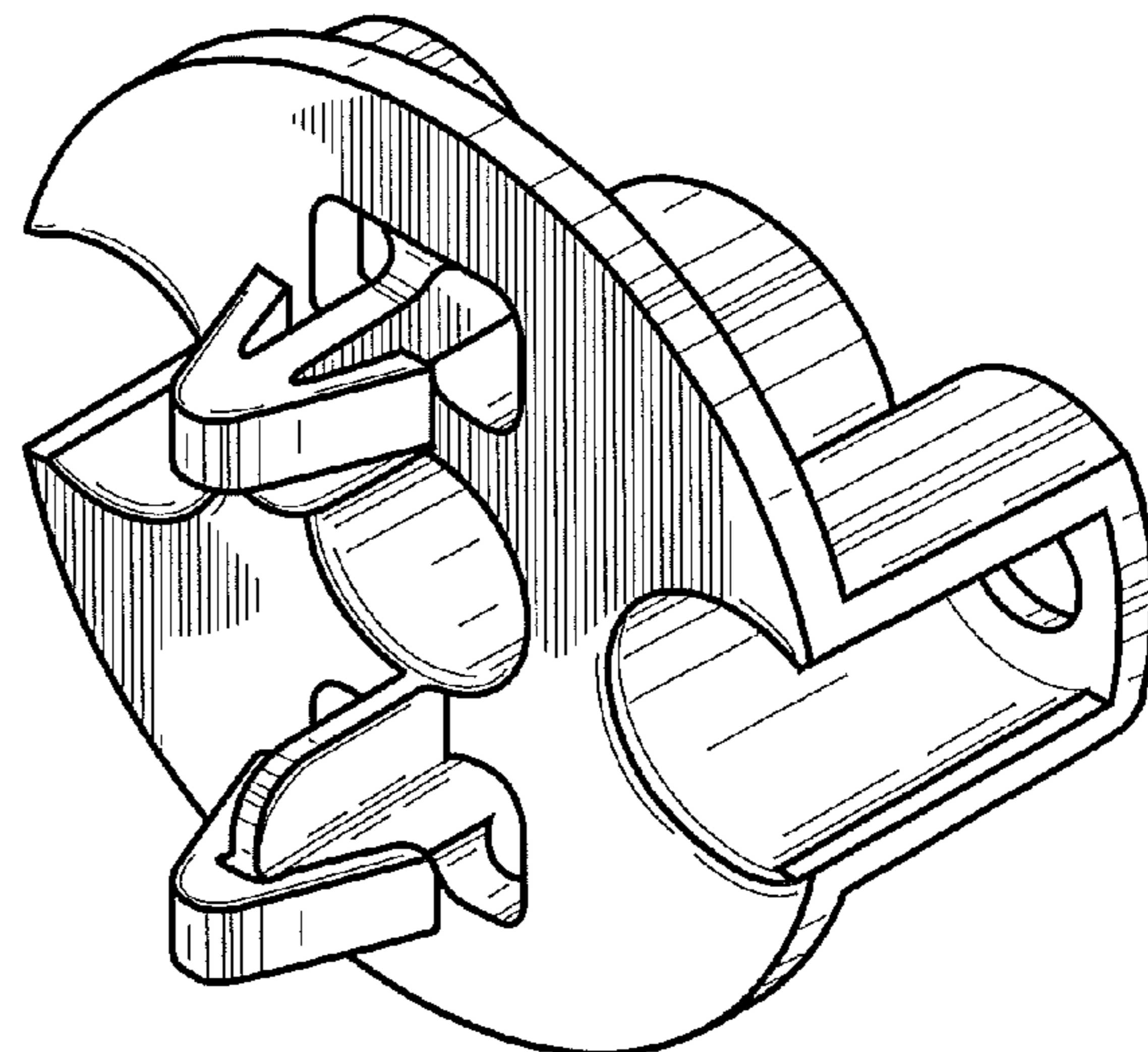
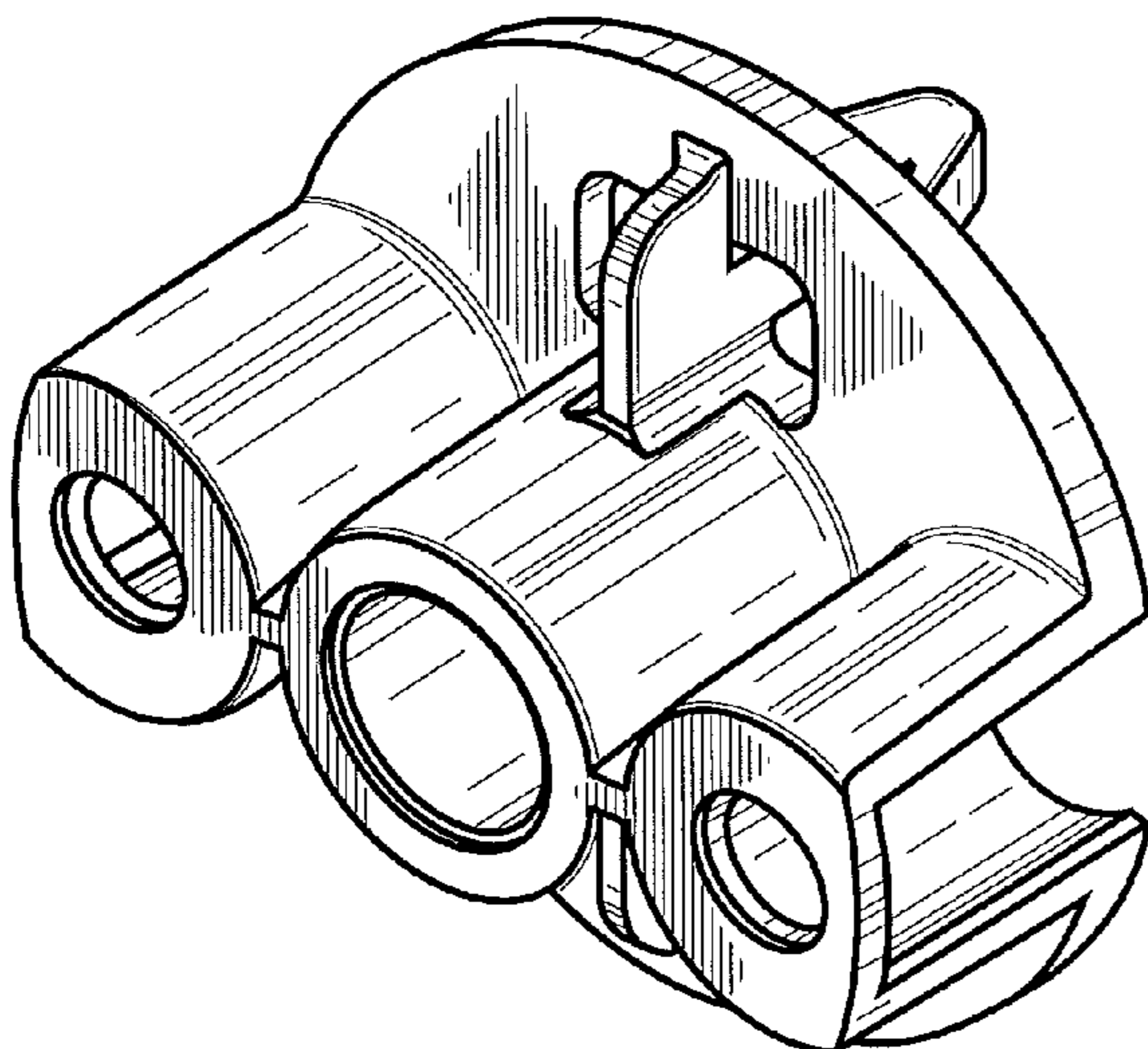
FIG. 5 is an opposing side view thereof;

FIG. 6 is a back view thereof;

FIG. 7 is another side view thereof; and,

FIG. 8 is an opposing side view thereof.

**1 Claim, 2 Drawing Sheets**



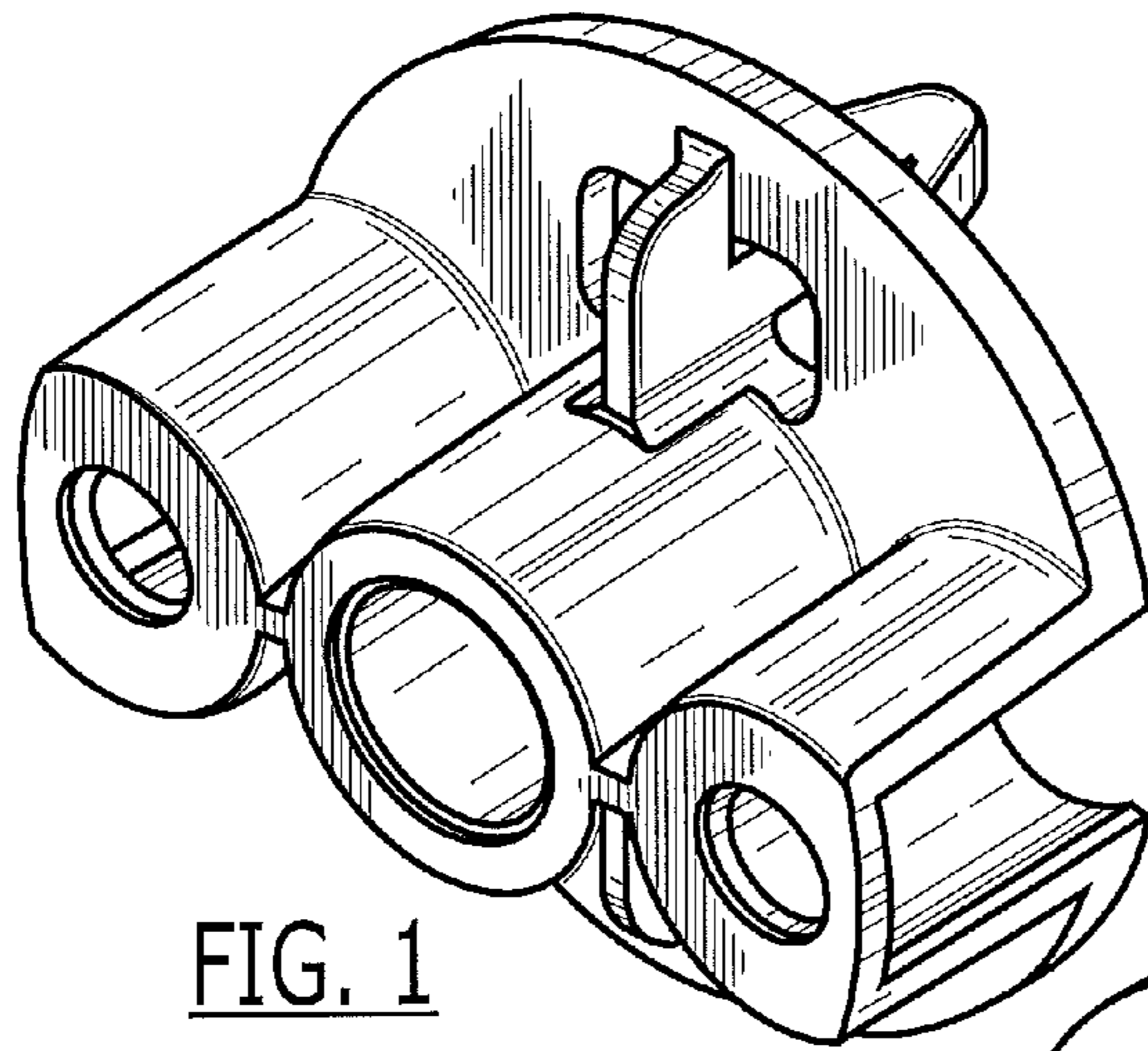


FIG. 1

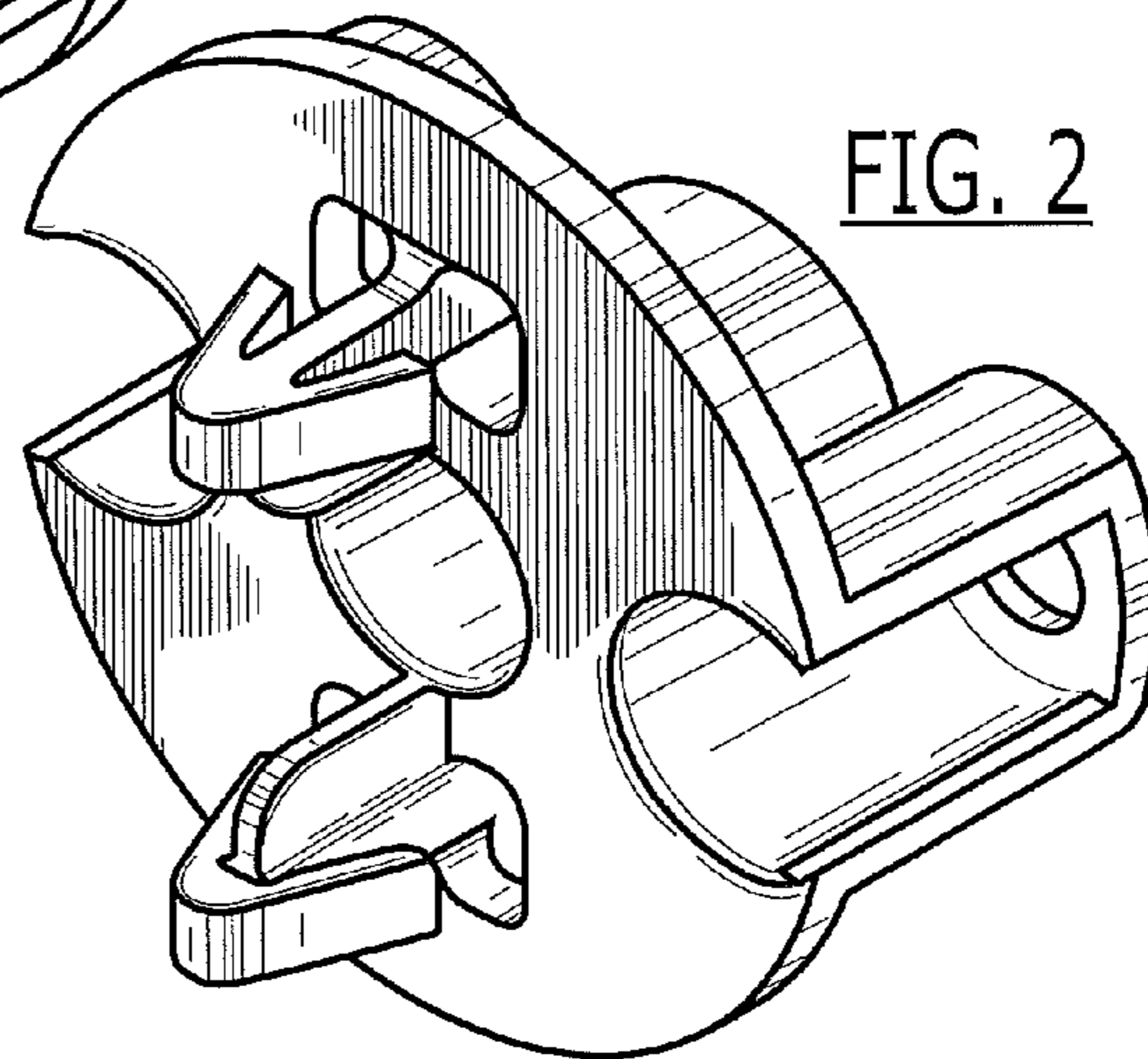


FIG. 2

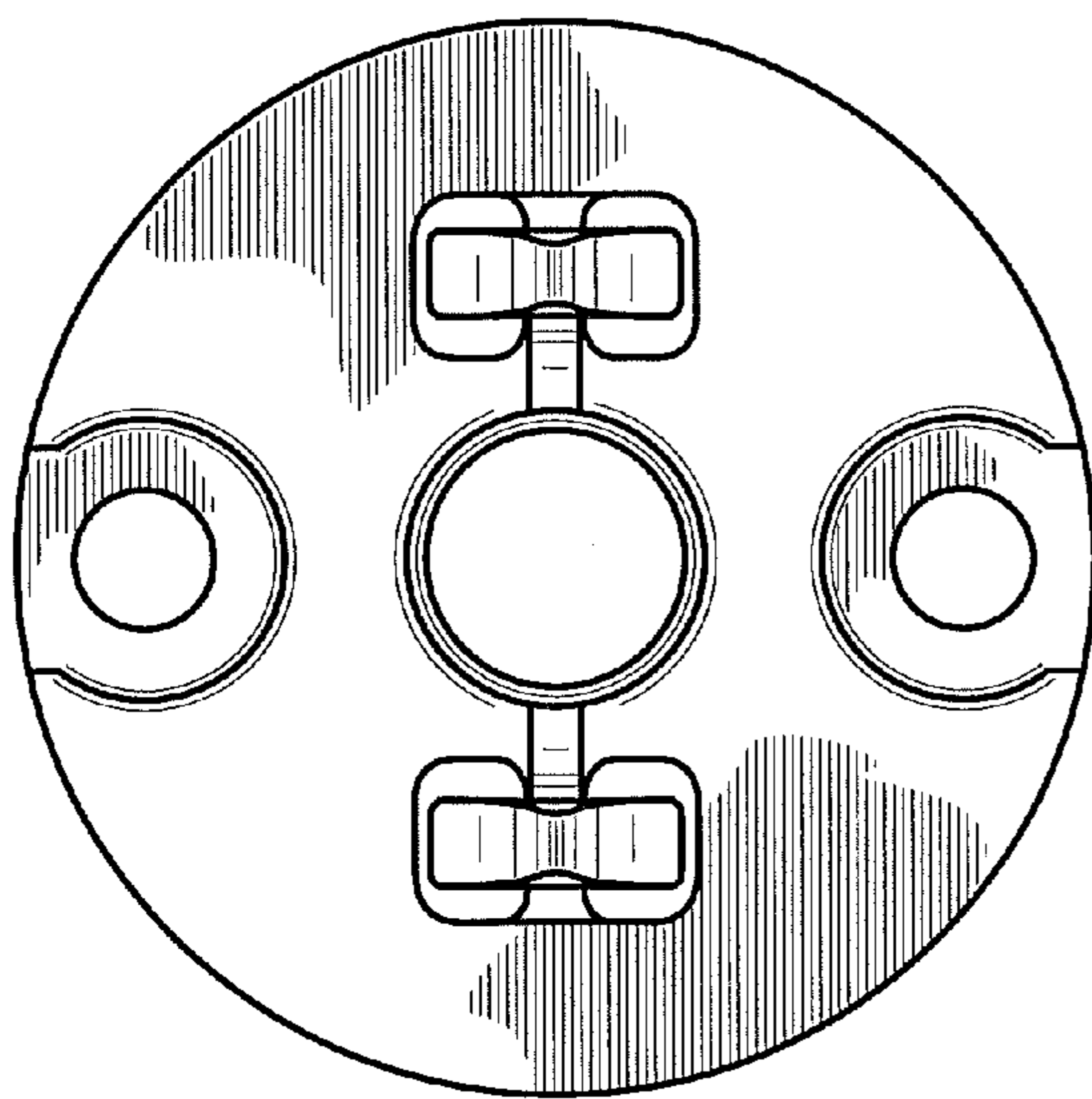


FIG. 3

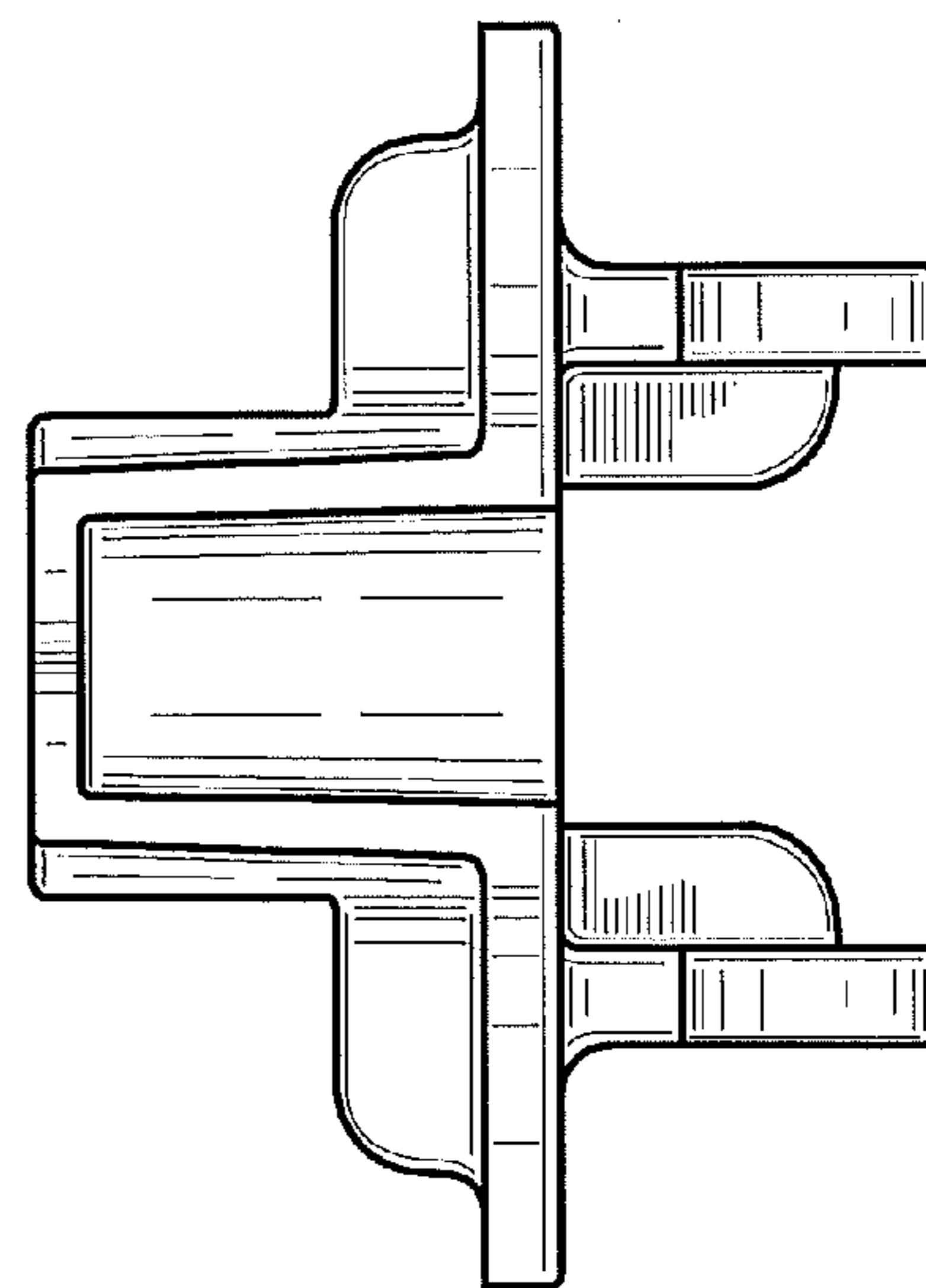


FIG. 4

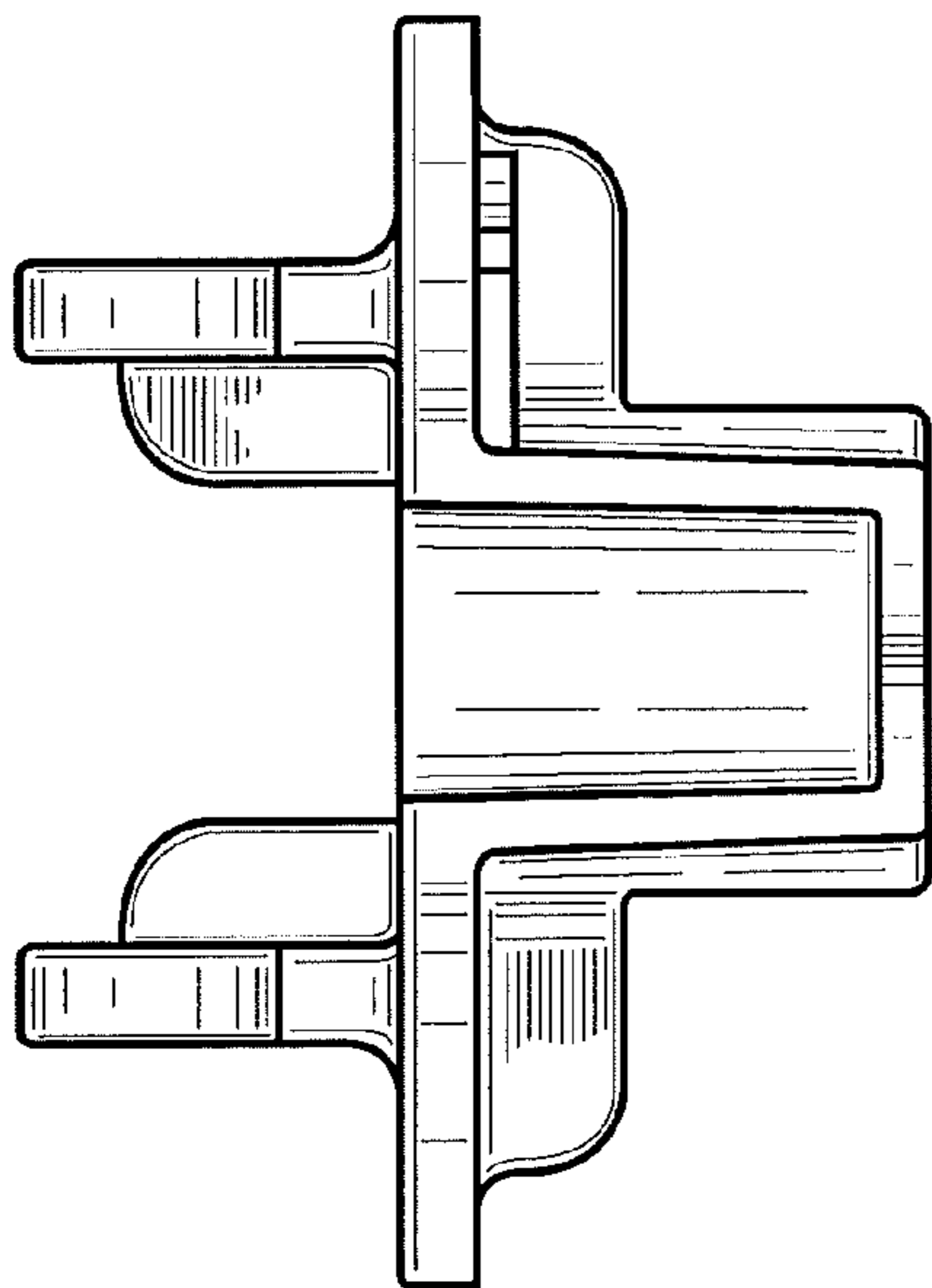


FIG. 5

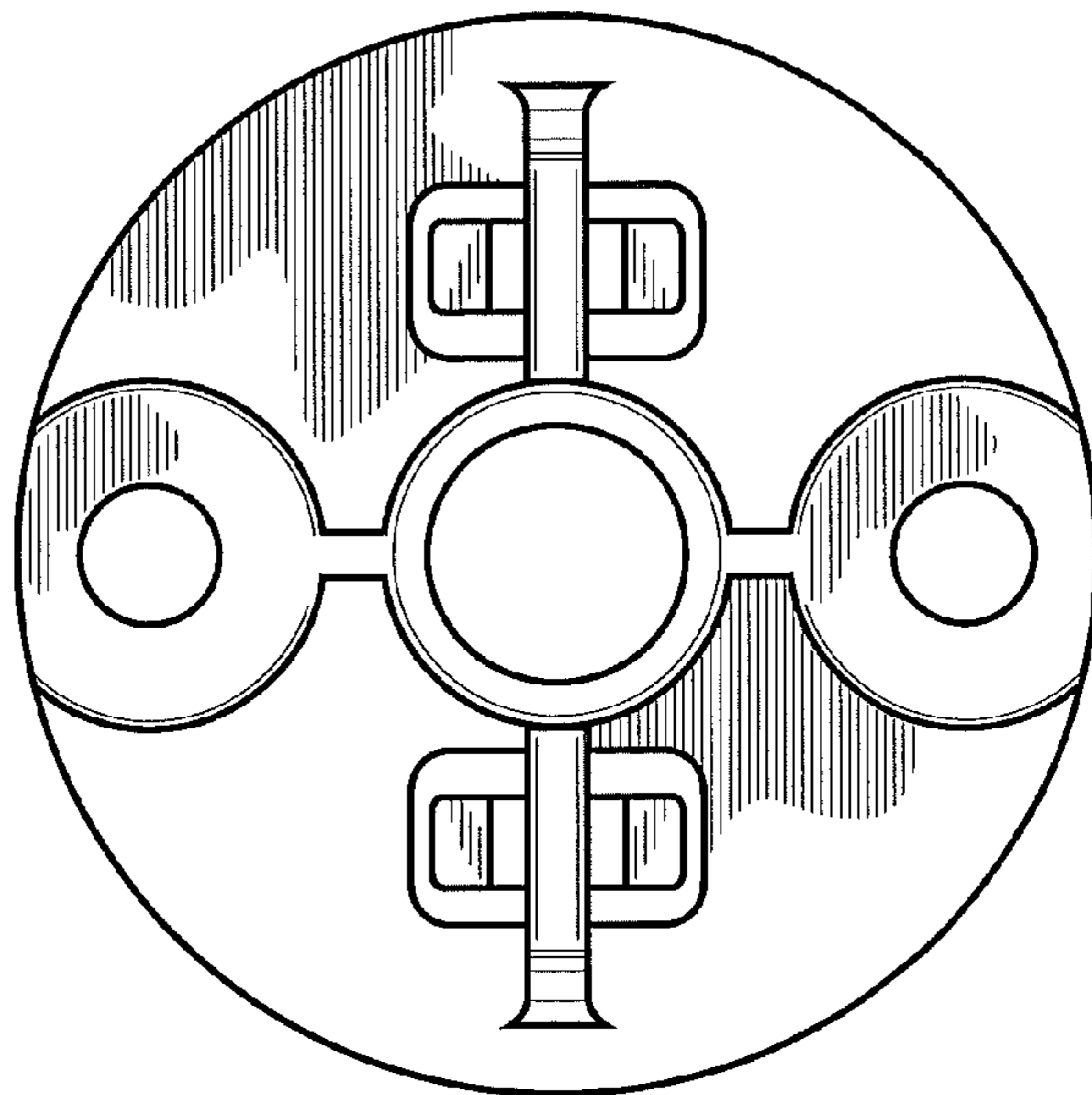


FIG. 6

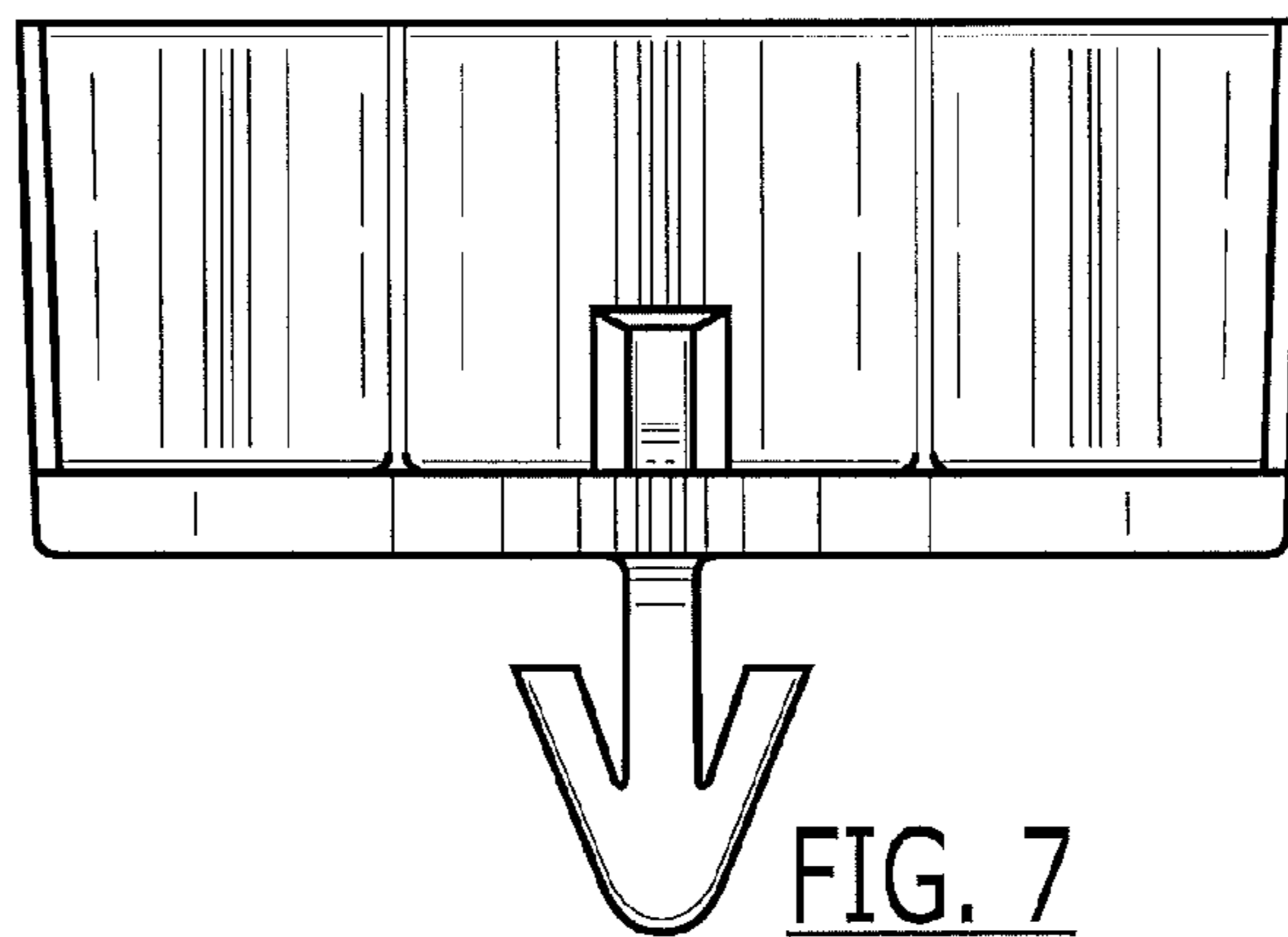


FIG. 7

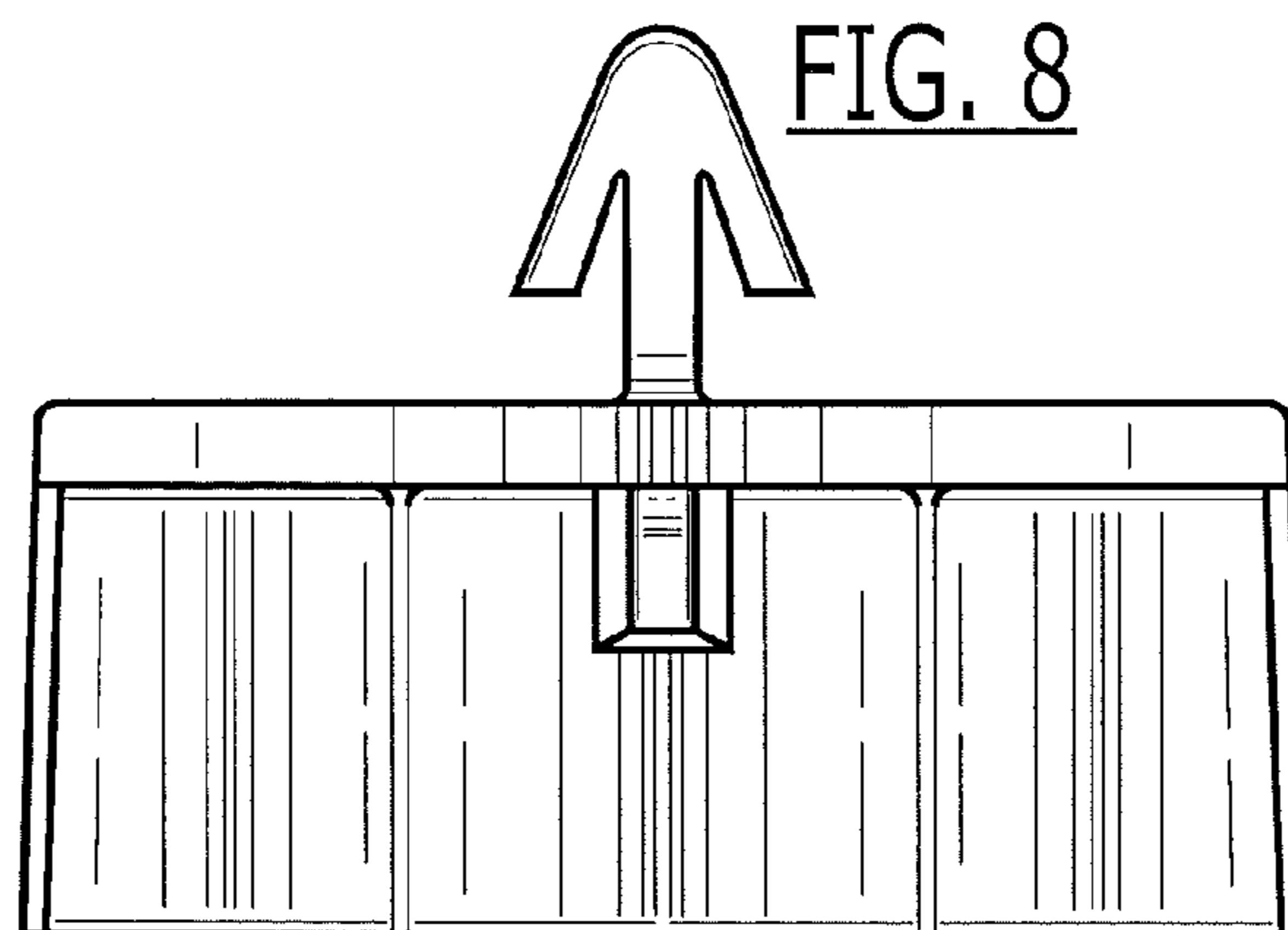


FIG. 8