



US00D615926S

(12) **United States Design Patent**  
**Uneo et al.**

(10) **Patent No.:** **US D615,926 S**  
(45) **Date of Patent:** **\*\* May 18, 2010**

(54) **BATTERY FRAME**

(75) Inventors: **Haruhiko Uneo**, Osaka (JP); **Hideaki Fujita**, Kyoto (JP); **Mamoru Ninomiya**, Osaka (JP)

(73) Assignee: **Panasonic Corporation**, Osaka (JP)

(\*\*) Term: **14 Years**

(21) Appl. No.: **29/345,290**

(22) Filed: **Oct. 13, 2009**

(30) **Foreign Application Priority Data**

Apr. 14, 2009 (JP) ..... 2009-008510

(51) **LOC (9) Cl.** ..... **13-02**

(52) **U.S. Cl.** ..... **D13/119**

(58) **Field of Classification Search** ..... D13/102–106,  
D13/110, 118–121, 184; D8/354–355, 394;  
429/96–100, 163, 176; 180/68.5; 248/505

See application file for complete search history.

(56) **References Cited**

**U.S. PATENT DOCUMENTS**

3,557,895	A *	1/1971	Thomas	.....	180/68.5
D222,804	S *	1/1972	Dolzer	.....	D13/119
3,866,704	A *	2/1975	Bowers et al.	.....	180/68.5
4,565,256	A *	1/1986	Valdez	.....	180/68.5
D310,658	S *	9/1990	Balek	.....	D13/119
D311,373	S *	10/1990	Morisse et al.	.....	D13/119
D311,898	S *	11/1990	Luzader et al.	.....	D13/119
D321,856	S *	11/1991	Whitley et al.	.....	D13/119
D428,852	S	8/2000	Klutt		
D442,542	S	5/2001	Dougherty et al.		
D444,766	S	7/2001	Chow et al.		
D450,035	S	11/2001	Ahlgren		
D466,478	S	12/2002	Bolstad et al.		
D468,688	S	1/2003	Helman		
D489,683	S	5/2004	Johnson et al.		
D489,684	S	5/2004	Takeshima et al.		
6,871,829	B2 *	3/2005	Shannon, Jr.	.....	248/505
D561,097	S *	2/2008	Koeske	.....	D13/119
D575,735	S	8/2008	Foreman et al.		

D575,736	S	8/2008	Foreman et al.		
D575,737	S	8/2008	Foreman et al.		
D578,962	S	10/2008	Foreman et al.		
D585,371	S	1/2009	Foreman et al.		
D585,372	S	1/2009	Foreman et al.		
D588,060	S *	3/2009	Okuda	.....	D13/119

**FOREIGN PATENT DOCUMENTS**

JP	D984778	7/1997
JP	D987294	8/1997
JP	D996751	11/1997
JP	D996751/1	12/1997
JP	D1030998	1/1999
JP	D1030998/1	7/1999

(Continued)

*Primary Examiner*—Rosemary K Tarcza

(74) *Attorney, Agent, or Firm*—Brinks Hofer Gilson & Lione

(57) **CLAIM**

We claim the ornamental design for a battery frame, as shown and described.

**DESCRIPTION**

FIG. 1 is a front perspective view of a battery frame of the present invention;

FIG. 2 is a front view thereof;

FIG. 3 is a rear view thereof;

FIG. 4 is a right side view thereof, the left side view being a mirror image thereof;

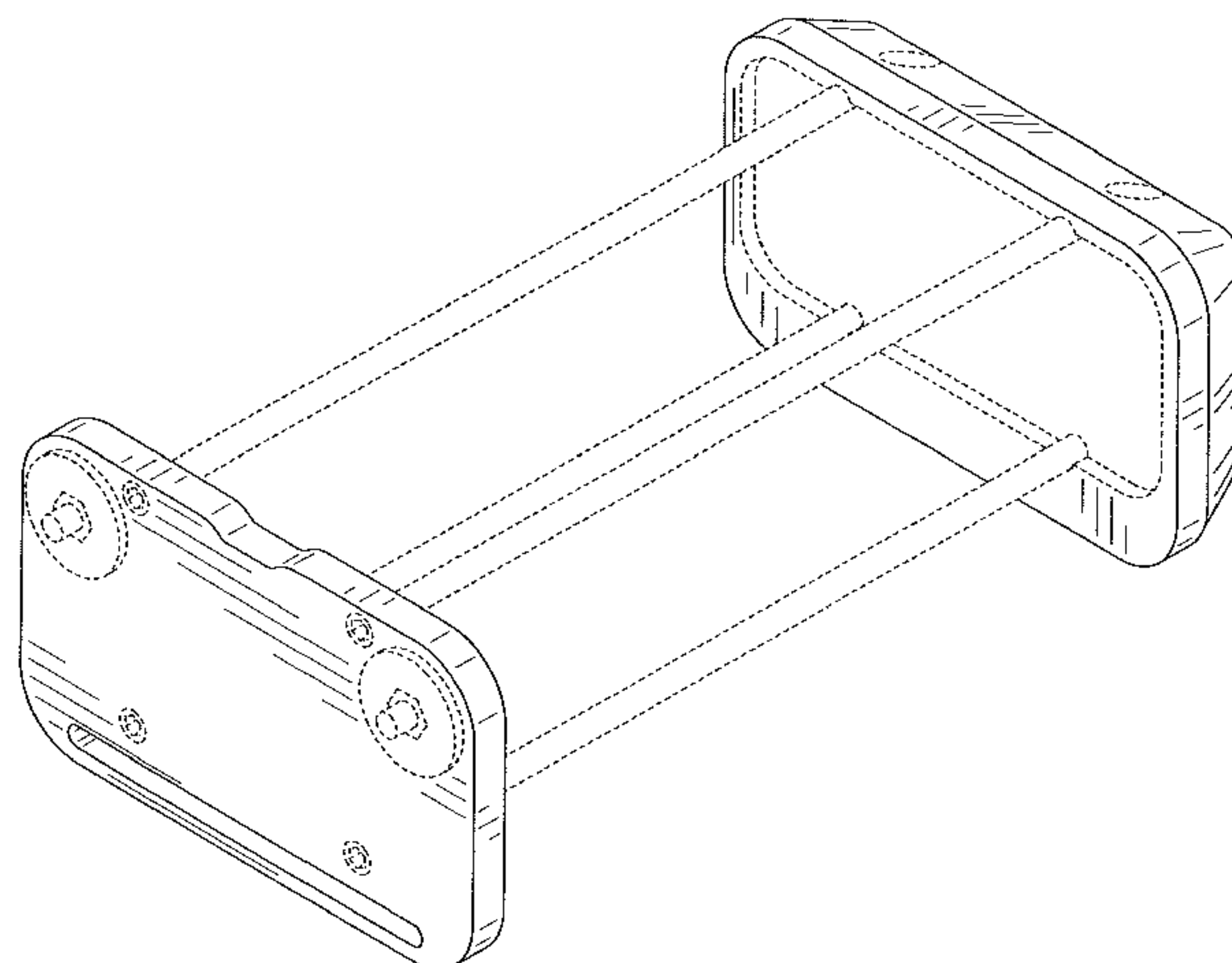
FIG. 5 is a top view thereof;

FIG. 6 is a bottom view thereof; and,

FIG. 7 is a rear perspective view thereof.

The broken line showing of battery frame is included for the purpose of illustrating environment and forms no part of the claimed design.

**1 Claim, 7 Drawing Sheets**



# US D615,926 S

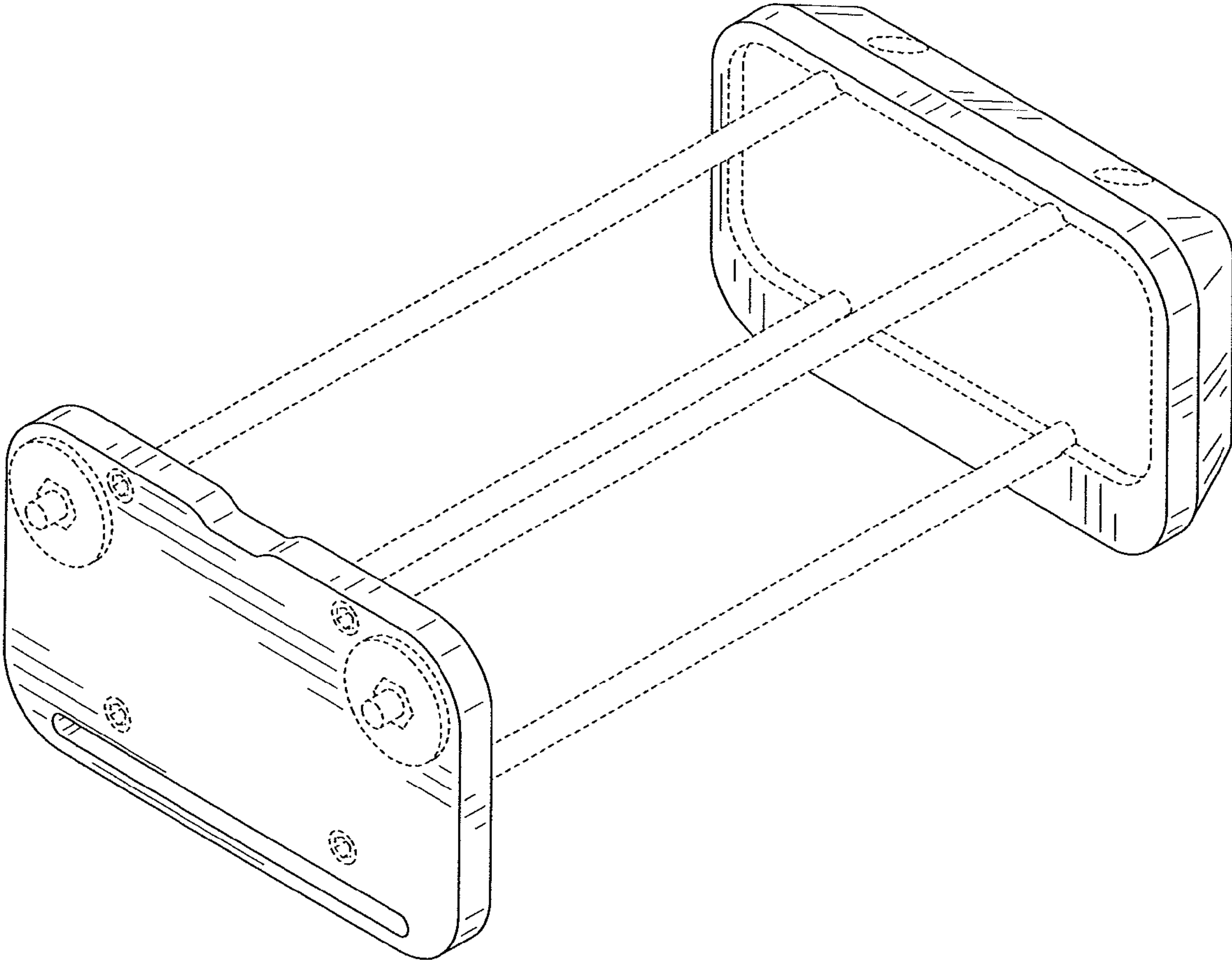
Page 2

---

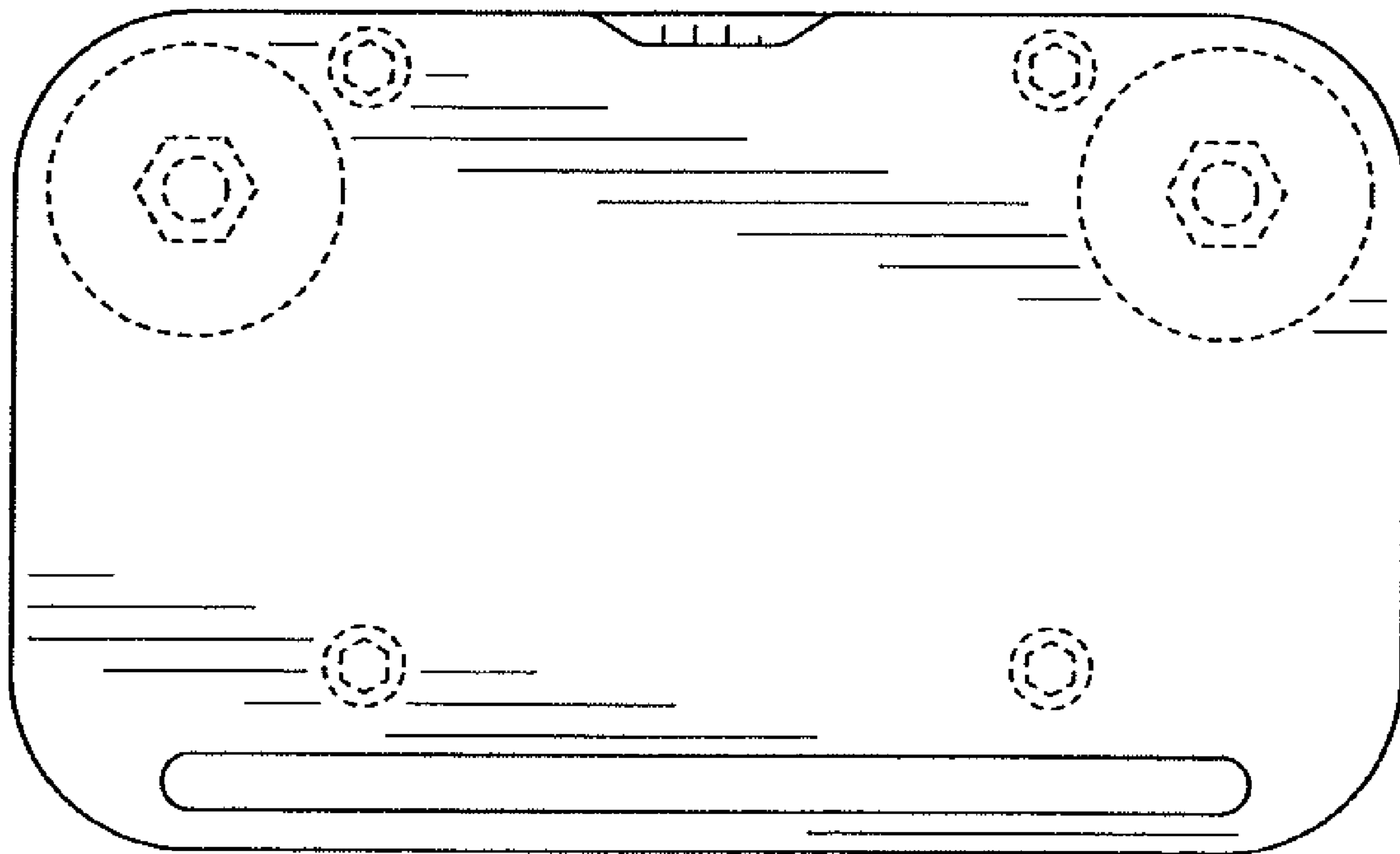
FOREIGN PATENT DOCUMENTS					
			JP	D1343680	11/2008
			JP	D1343681	11/2008
			JP	D1343682	11/2008
			JP	D1343683	11/2008
JP	D1163775	1/2003	JP	D1355708	4/2009
JP	D1164191	1/2003	JP	D1355709	4/2009
JP	D1201896	4/2004			
JP	D1217085	9/2004			
JP	D1343679	11/2008			

\* cited by examiner

FIG.1



**FIG.2**



**FIG.3**

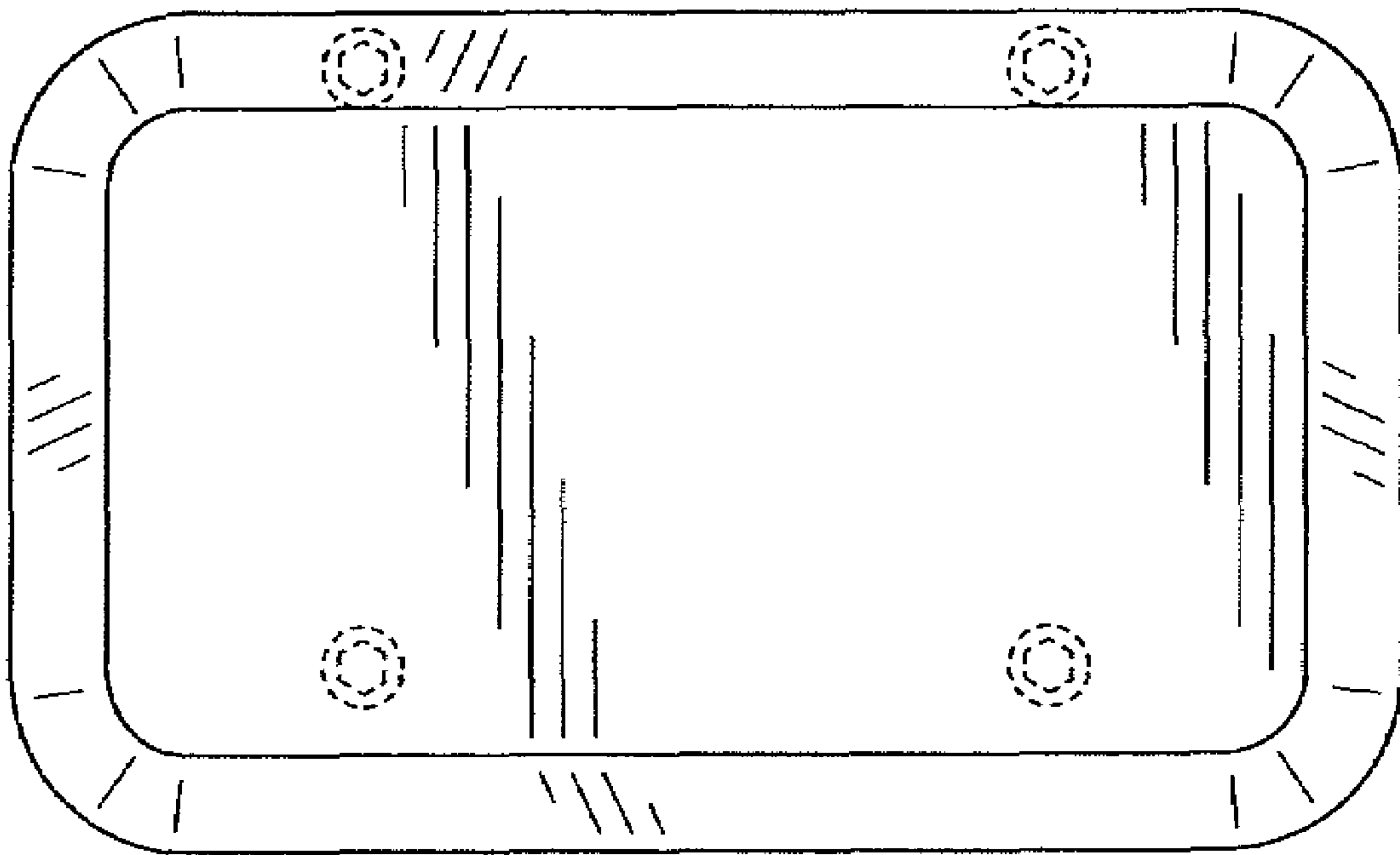
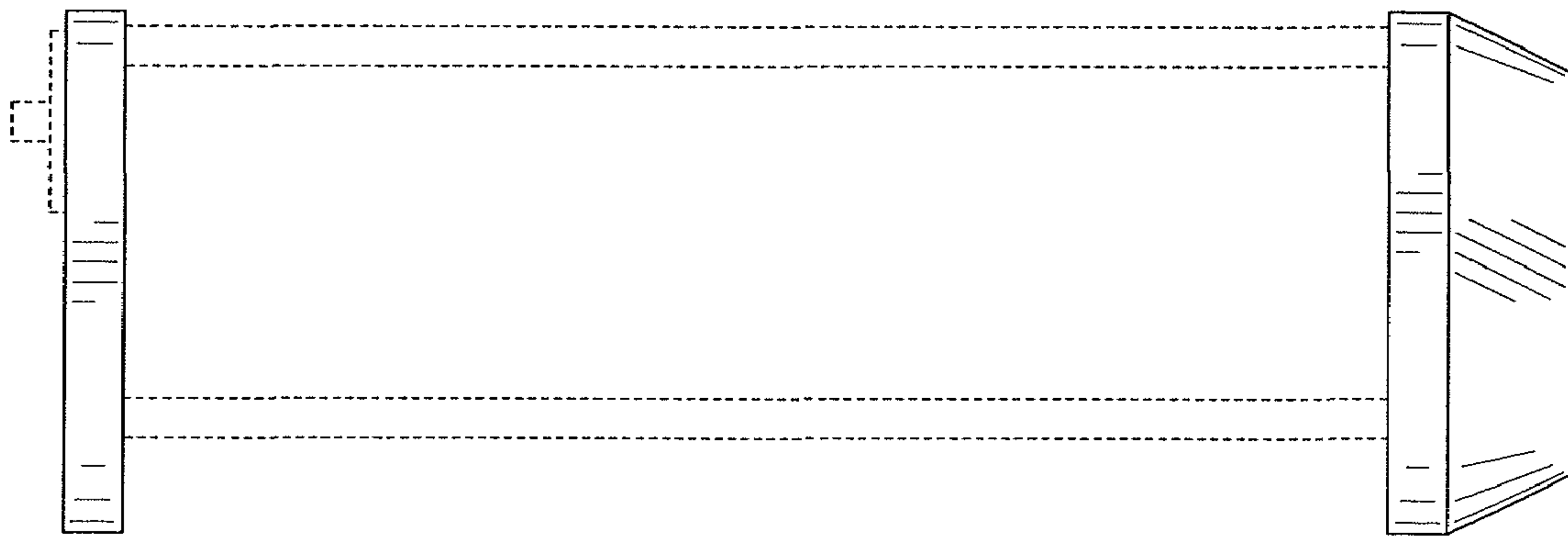


FIG.4



**FIG.5**

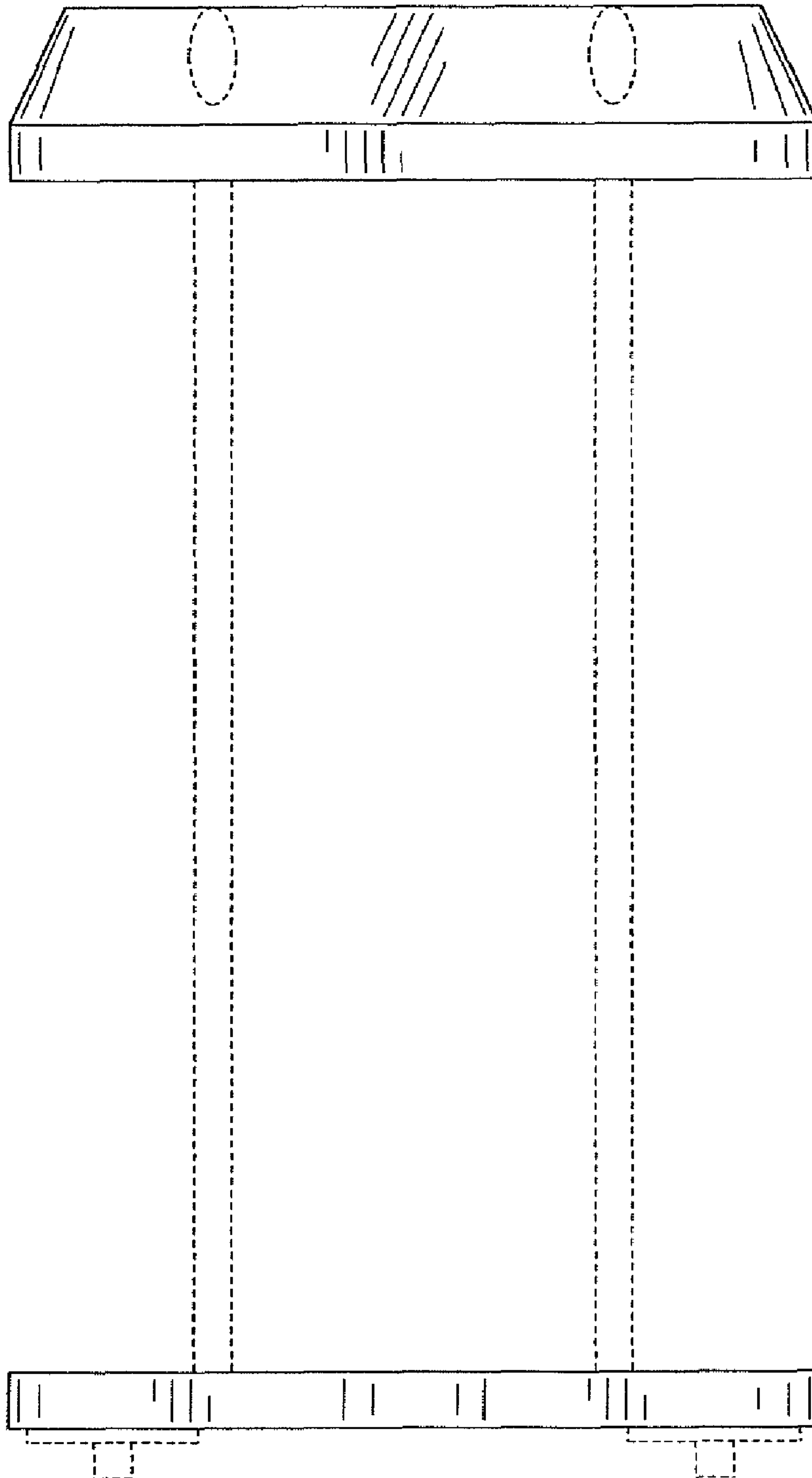


FIG.6

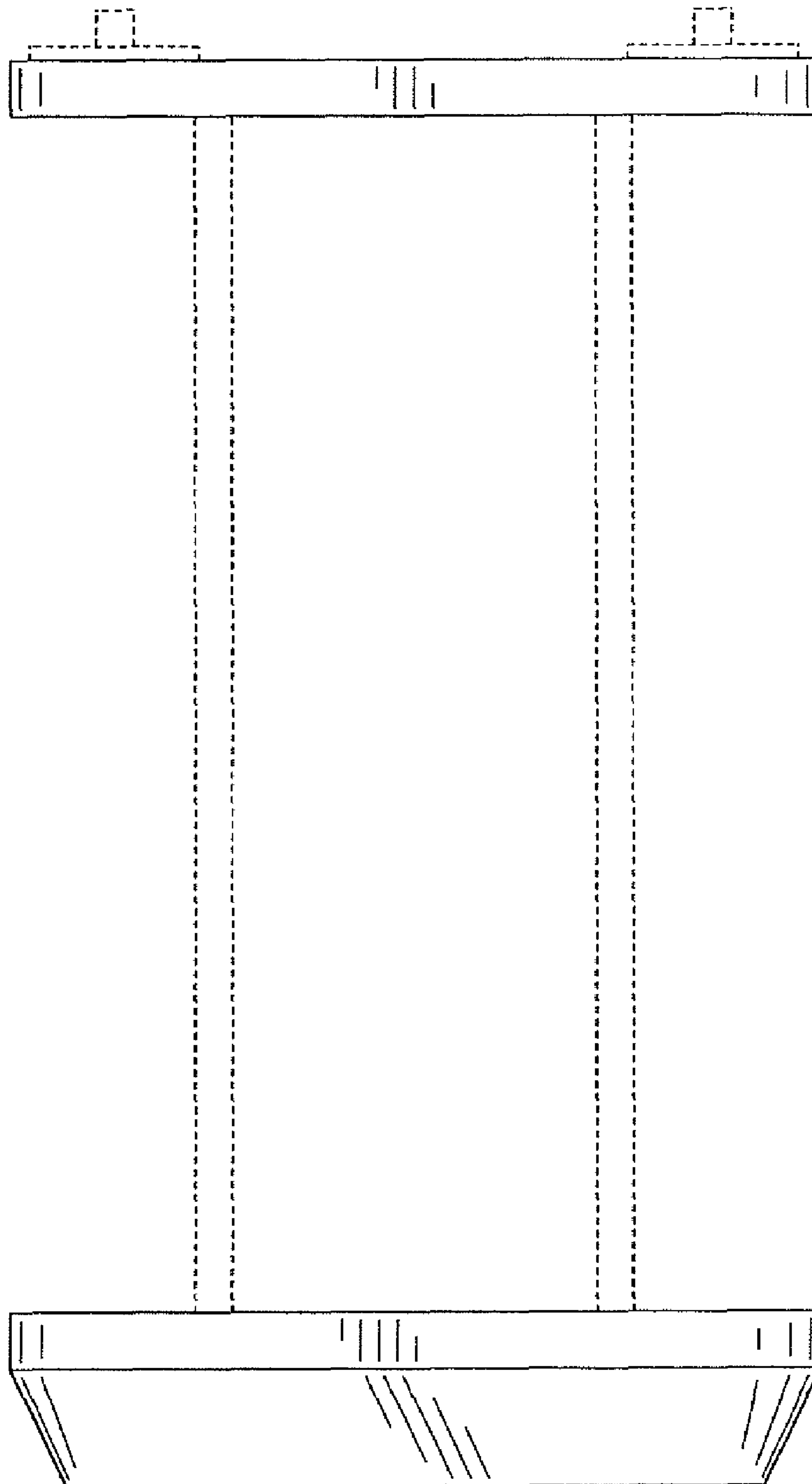




FIG. 7

