



US00D615925S

(12) **United States Design Patent**
Heine et al.

(10) **Patent No.:** **US D615,925 S**

(45) **Date of Patent:** **** May 18, 2010**

(54) **BATTERY HANDLE**

(75) Inventors: **Oliver Heine**, Herrsching (DE); **Dirk Schade**, Penzberg (DE); **Anton Schneider**, Gilching (DE); **Stefan Knesewitsch**, Herrsching (DE); **Georg Pfaffenbauer**, Herrsching (DE)

(73) Assignee: **Heine Optotechnik GmbH & Co. KG**, Herrsching (DE)

(**) Term: **14 Years**

(21) Appl. No.: **29/297,058**

(22) Filed: **Nov. 2, 2007**

(30) **Foreign Application Priority Data**

May 2, 2007 (EM) 000727151-0001

(51) **LOC (9) Cl.** **13-02**

(52) **U.S. Cl.** **D13/119**

(58) **Field of Classification Search** D13/102-106, D13/110, 118-121, 162, 184; 429/96-100, 429/163, 176, 187; D19/41, 43, 46-51
See application file for complete search history.

(56) **References Cited**

U.S. PATENT DOCUMENTS

D218,491 S * 8/1970 Danbury et al. D19/49
D244,529 S * 5/1977 Gomez D19/49

D282,553 S * 2/1986 LeBlanc D19/49
D331,259 S * 11/1992 Rousseau D19/49
D428,056 S * 7/2000 Rousseau D19/49
D469,805 S * 2/2003 Liu D19/43
D559,785 S * 1/2008 Tosetti D13/147
D574,768 S * 8/2008 Witte D13/103
D577,333 S * 9/2008 Daniel et al. D13/103
D597,600 S * 8/2009 Shimizu D19/49
2001/0053478 A1 * 12/2001 Kump et al. 429/187
2007/0259257 A1 * 11/2007 Penev et al. 429/99

* cited by examiner

Primary Examiner—Rosemary K Tarcza

(74) *Attorney, Agent, or Firm*—Bachman & LaPointe, P.C.

(57) **CLAIM**

The ornamental design for a battery handle, as shown.

DESCRIPTION

FIG. 1 is a side view of a battery handle according to the invention;

FIG. 2 is a 90° rotated side view of the battery handle of FIG. 1;

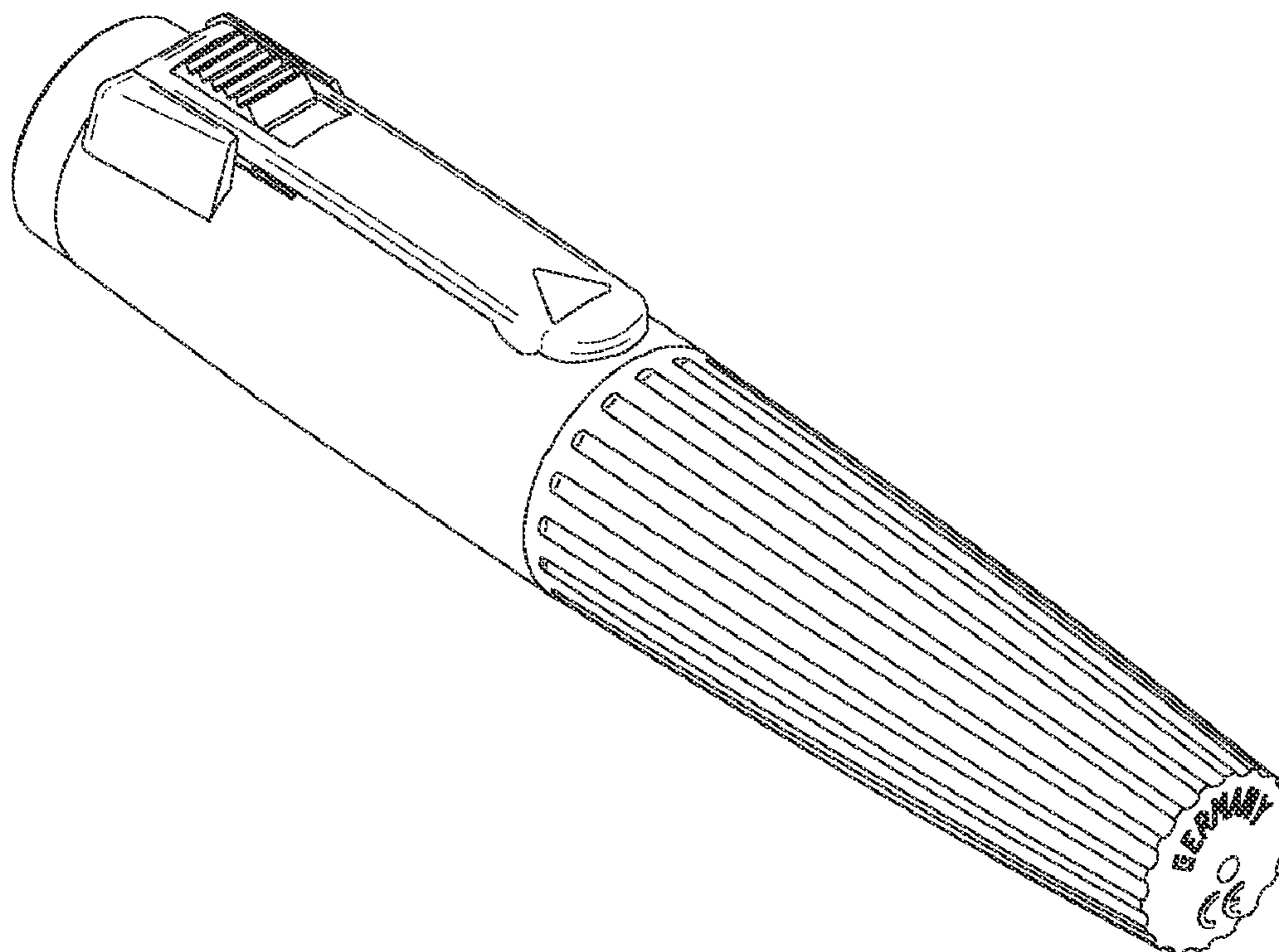
FIG. 3 is a further side view of the battery handle of FIG. 1;

FIG. 4 is a perspective view of the battery handle of FIG. 1;

FIG. 5 is an end view of the battery handle of FIG. 1; and,

FIG. 6 is another end view of the battery handle of FIG. 1.

1 Claim, 3 Drawing Sheets



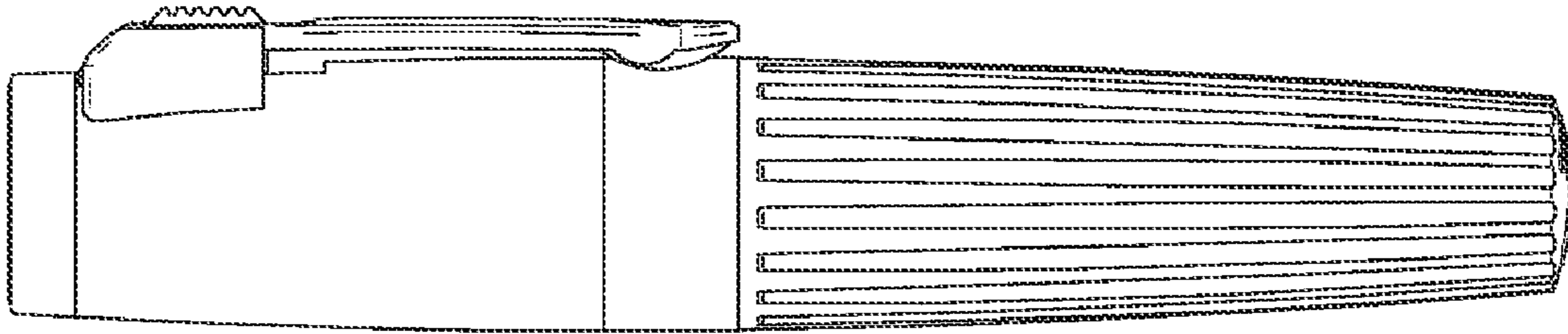


FIG. 1

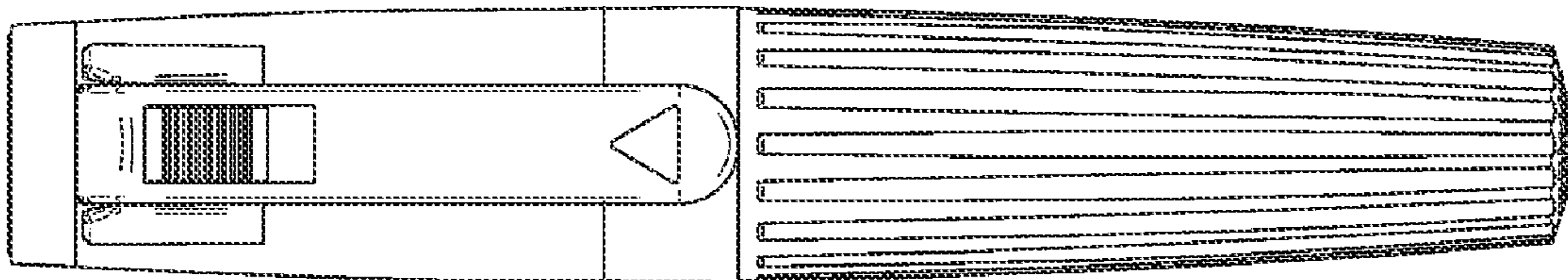


FIG. 2

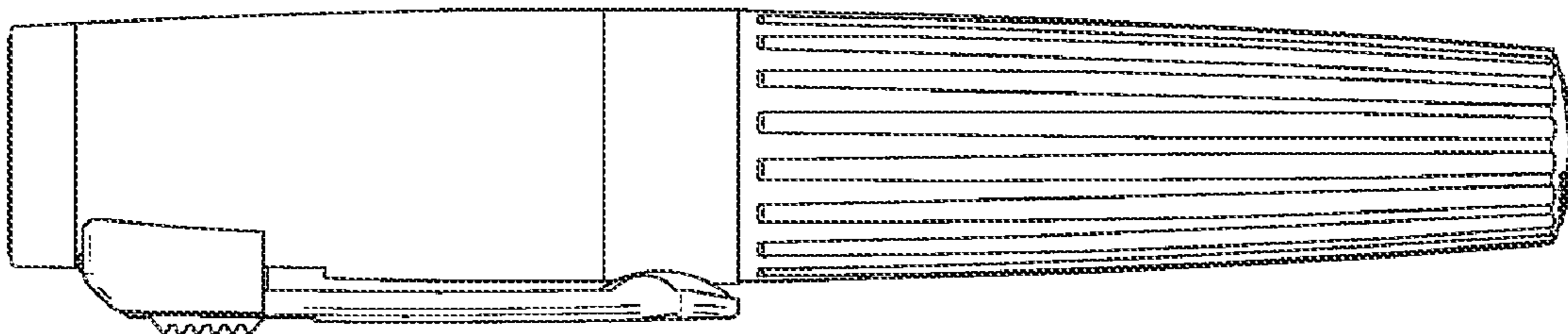


FIG. 3

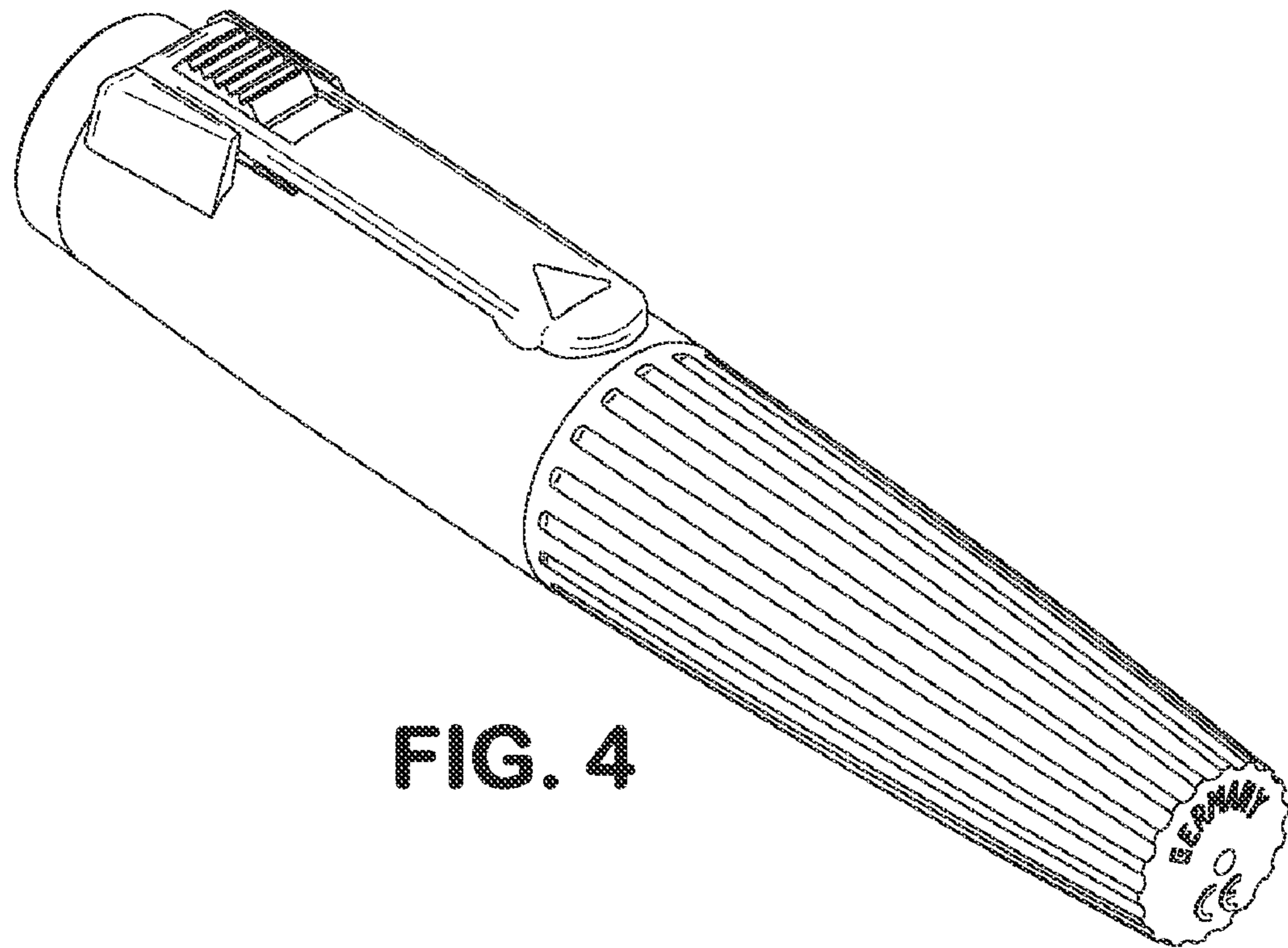


FIG. 4

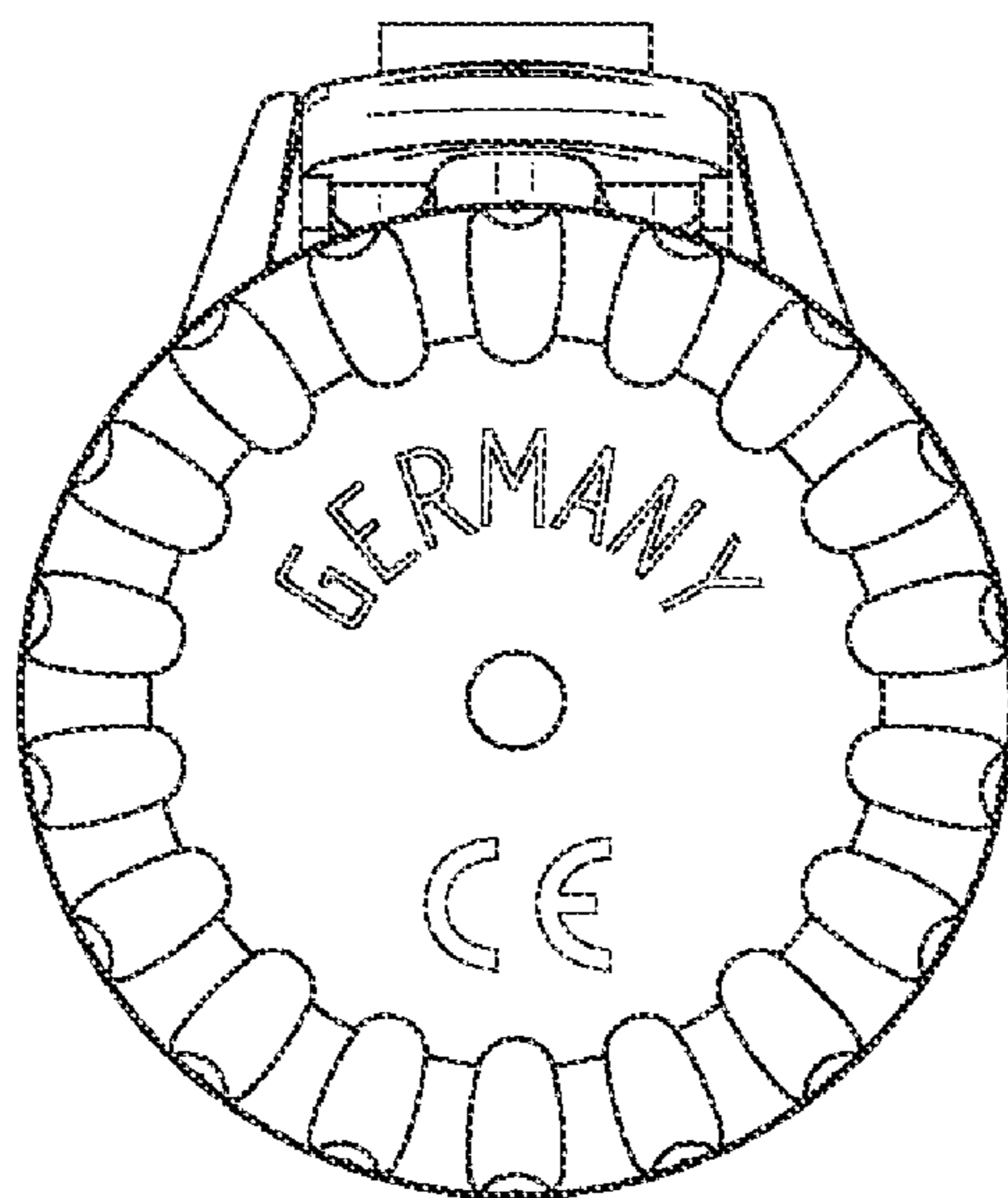


FIG. 5

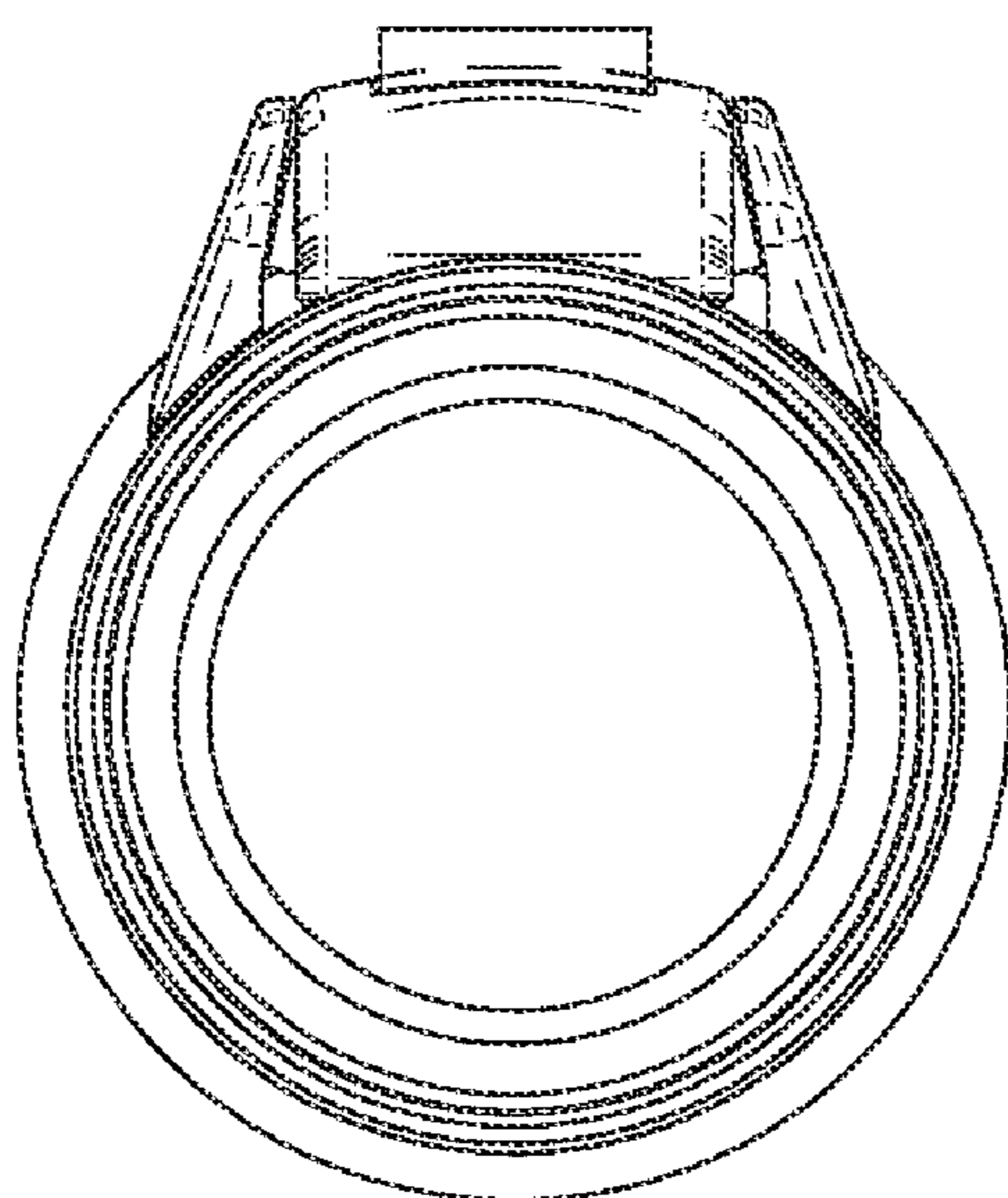


FIG. 6