



US00D615923S

(12) **United States Design Patent**
Ohashi

(10) **Patent No.:** **US D615,923 S**
(45) **Date of Patent:** **** May 18, 2010**

(54) **TIRE**

(75) Inventor: **Toshiyuki Ohashi**, Osaka (JP)

(73) Assignee: **Toyo Tire & Rubber Co., Ltd.**, Osaka (JP)

(**) Term: **14 Years**

(21) Appl. No.: **29/327,606**

(22) Filed: **Nov. 10, 2008**

(30) **Foreign Application Priority Data**

Jun. 16, 2008 (JP) 2008-015268

(51) **LOC (9) Cl.** **12-15**

(52) **U.S. Cl.** **D12/588**

(58) **Field of Classification Search** D12/551–556,
D12/568, 574, 580–603, 900–901; 152/209.1,
152/209.8–209.19, 209.25–209.28, DIG. 3
See application file for complete search history.

(56) **References Cited**

U.S. PATENT DOCUMENTS

D318,445 S *	7/1991	Diensthuber	D12/588
D444,424 S *	7/2001	Habay	D12/588
D483,321 S *	12/2003	Hiroko	D12/588
D515,024 S *	2/2006	Russell et al.	D12/588
D555,080 S *	11/2007	Radulescu	D12/588

FOREIGN PATENT DOCUMENTS

JP 1246051 7/2005

OTHER PUBLICATIONS

U.S. Appl. No. 29/327,192, Takahashi, Tire, filed Oct. 31, 2008.
U.S. Appl. No. 29/327,369, Takahashi, Tire, filed Nov. 4, 2008.

U.S. Appl. No. 29/327,610, Kaji, Tire, filed Nov. 10, 2008.
U.S. Appl. No. 29/327,622, Osaka, Tire, filed Nov. 10, 2008.
U.S. Appl. No. 29/327,624, Osaka, Tire, filed Nov. 10, 2008.
U.S. Appl. No. 29/327,628, Osaka, Tire, filed Nov. 10, 2008.
U.S. Appl. No. 29/329,515, Ohashi, Tire, filed Dec. 16, 2008.
U.S. Appl. No. 29/329,517, Ohara, Tire, filed Dec. 16, 2008.
U.S. Appl. No. 29/329,518, Miyazaki, Tire, filed Dec. 16, 2008.
U.S. Appl. No. 29/329,519, Ohashi, Tire, filed Dec. 16, 2008.

* cited by examiner

Primary Examiner—Stacia Cadmus

(74) *Attorney, Agent, or Firm*—Sterne, Kessler, Goldstein & Fox P.L.L.C.

(57) **CLAIM**

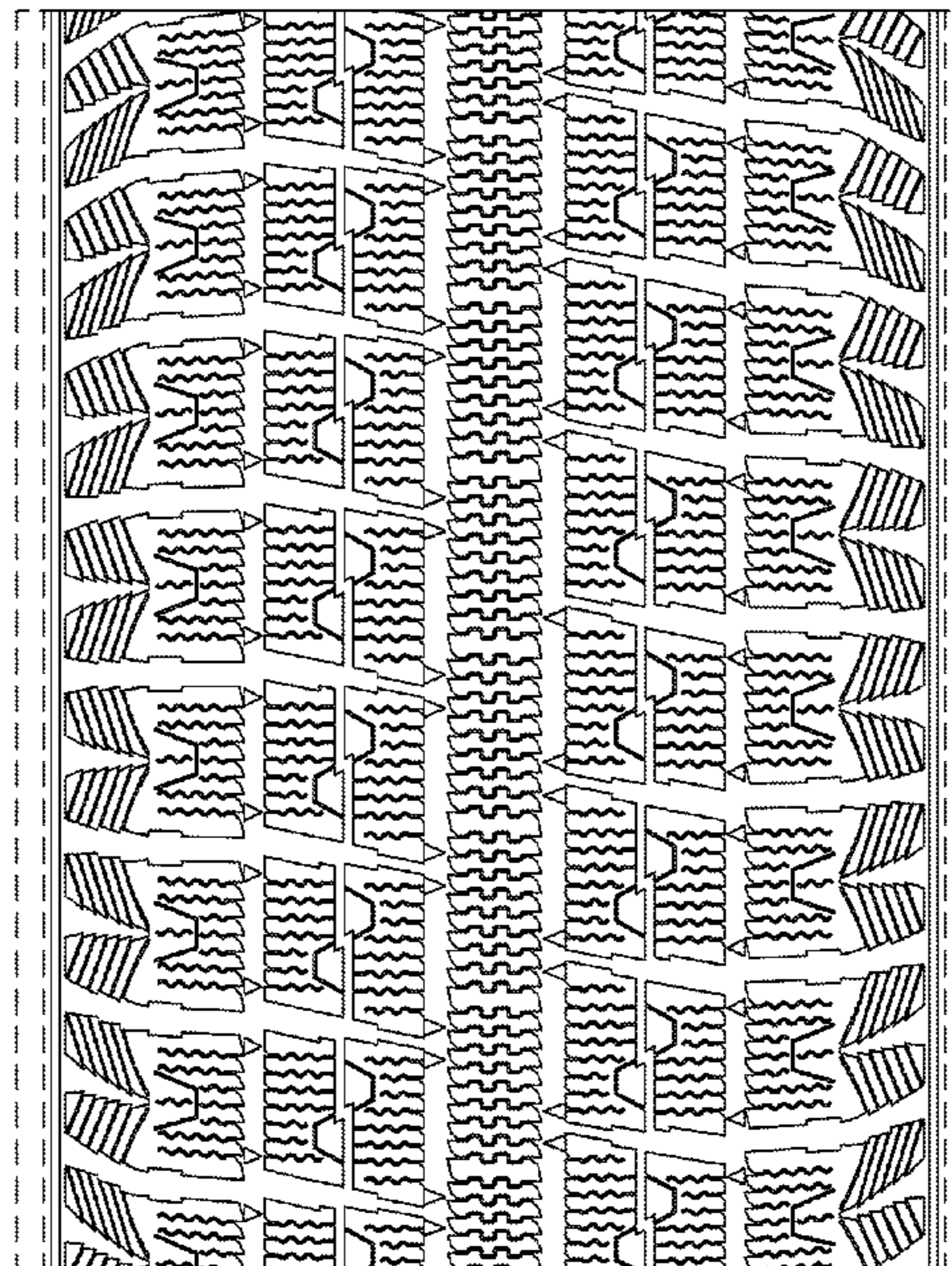
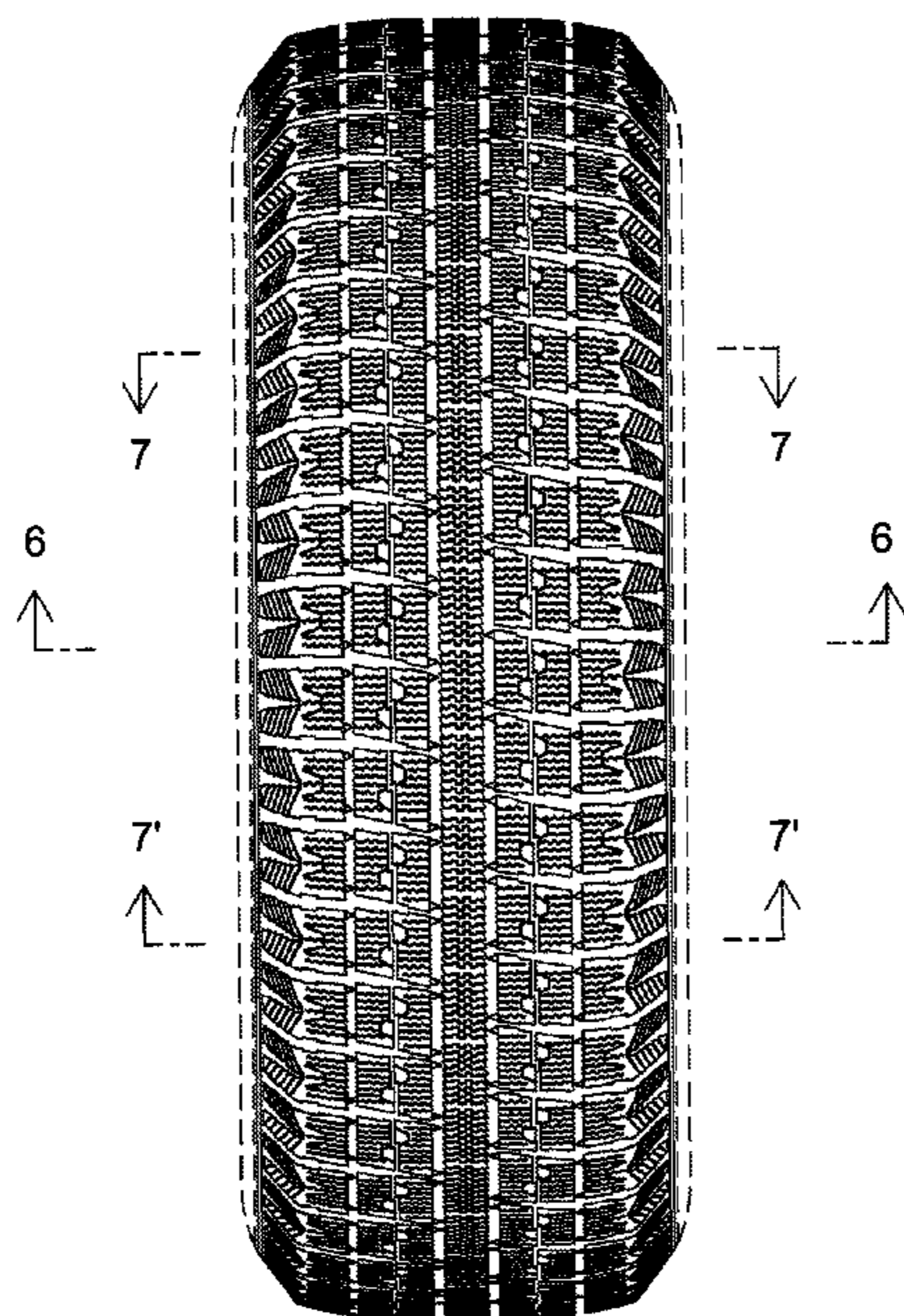
The ornamental design for a tire, as shown and described.

DESCRIPTION

FIG. 1 is a perspective view of a tire showing my new design;
FIG. 2 is a front and rear view thereof;
FIG. 3 is a top plan view thereof;
FIG. 4 is a bottom plan view thereof;
FIG. 5 is a left and right side view thereof;
FIG. 6 is a cross-sectional view taken along line 6—6 in FIG. 2 and along line 6'—6' in FIG. 5; and,
FIG. 7 is an enlarged view of the intersection of the areas 7—7' and 7'—7' in FIG. 2.

In the drawings, the broken lines defining the sidewall, inner bead and the peripheral boundary between the claimed tire tread and the unclaimed sidewall depict environmental subject matter that forms no part of the claimed design.

1 Claim, 7 Drawing Sheets



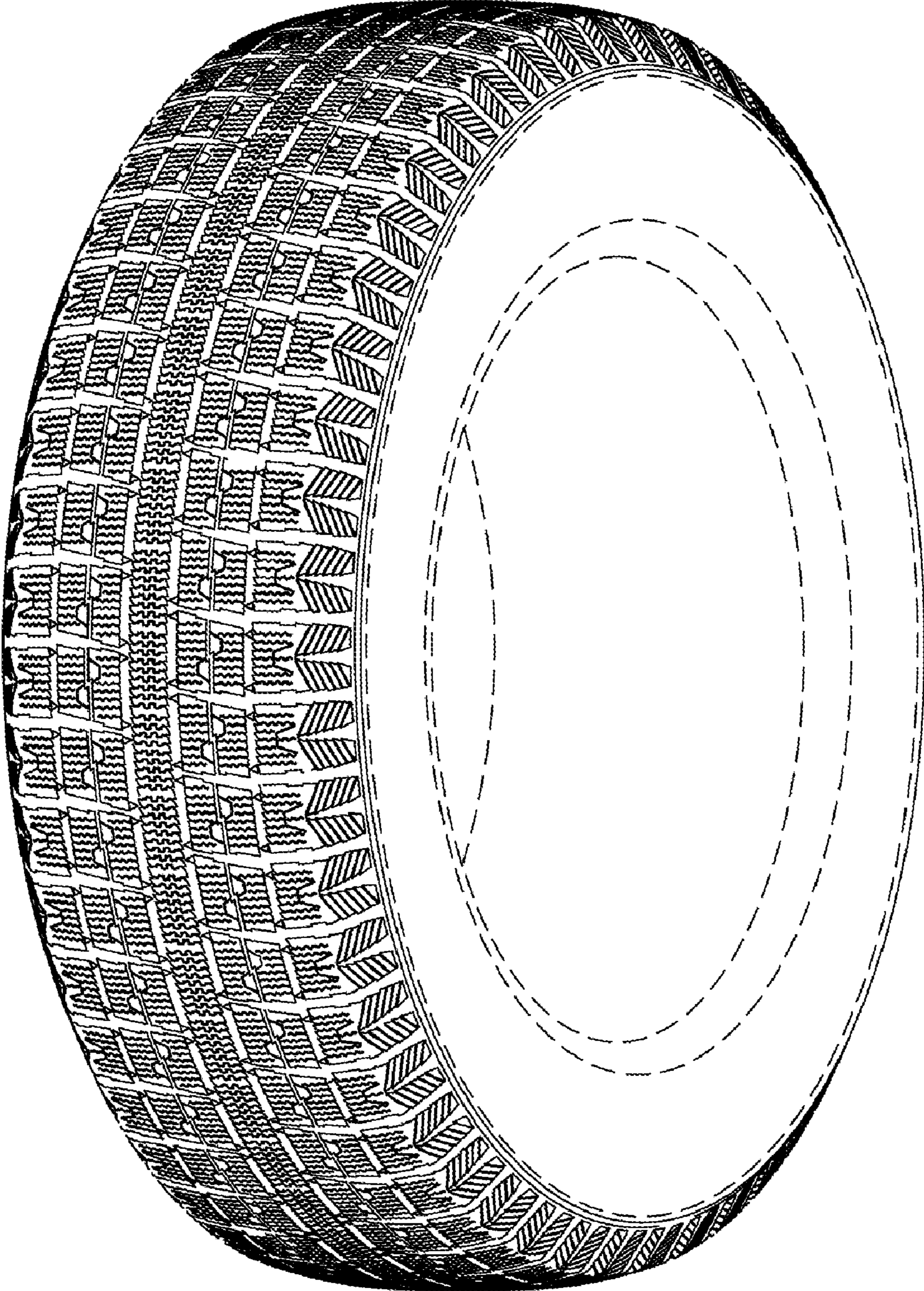


FIG. 1

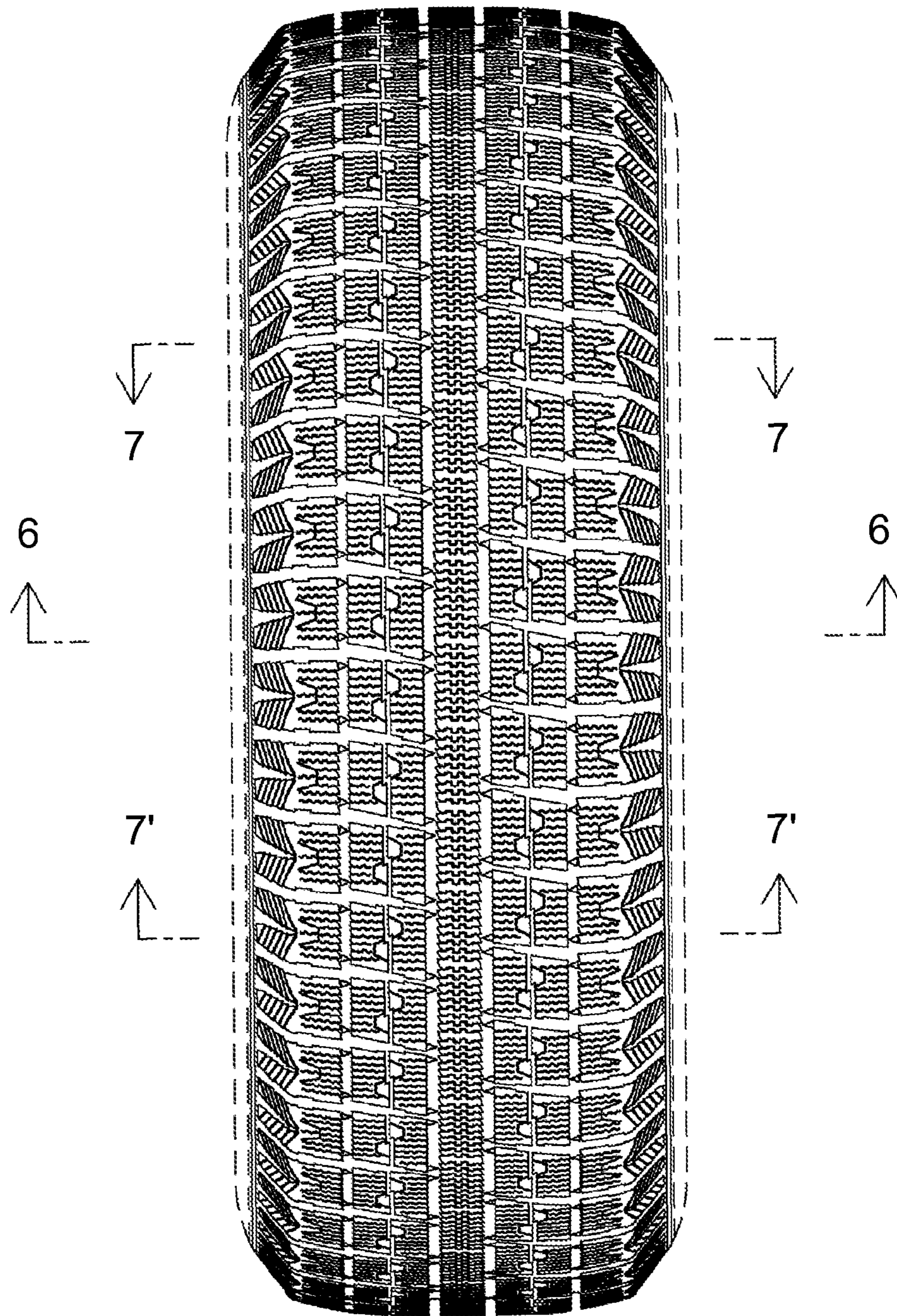


FIG. 2

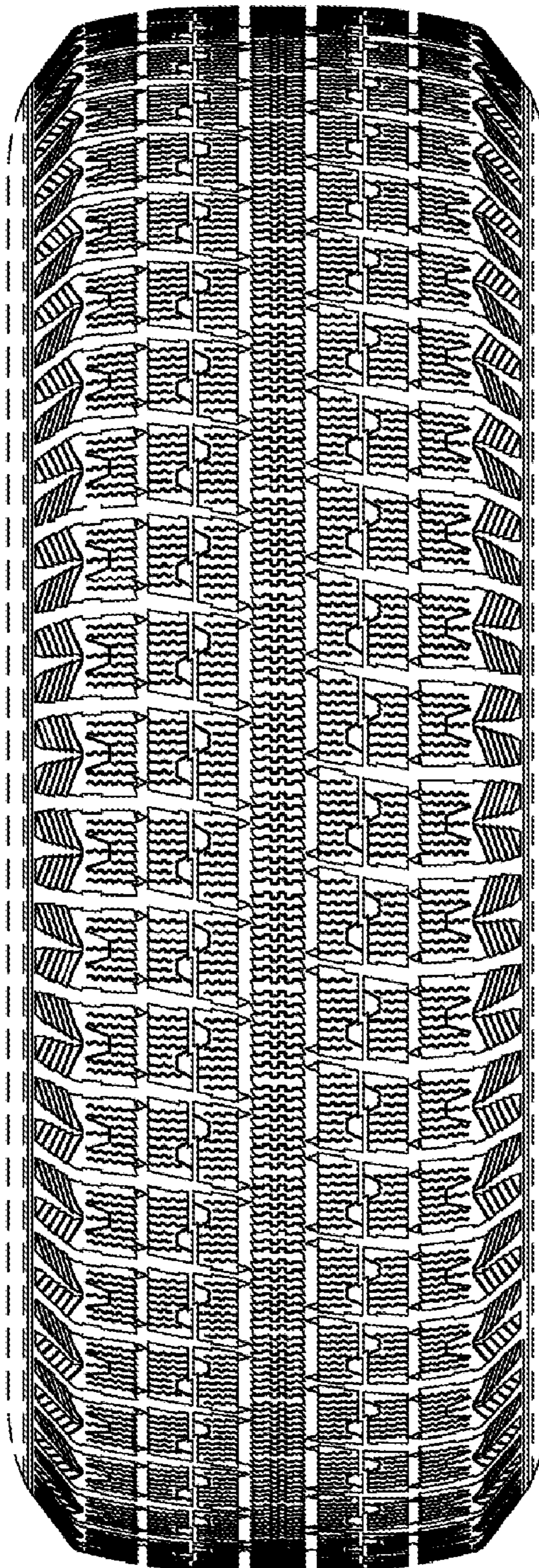


FIG. 3

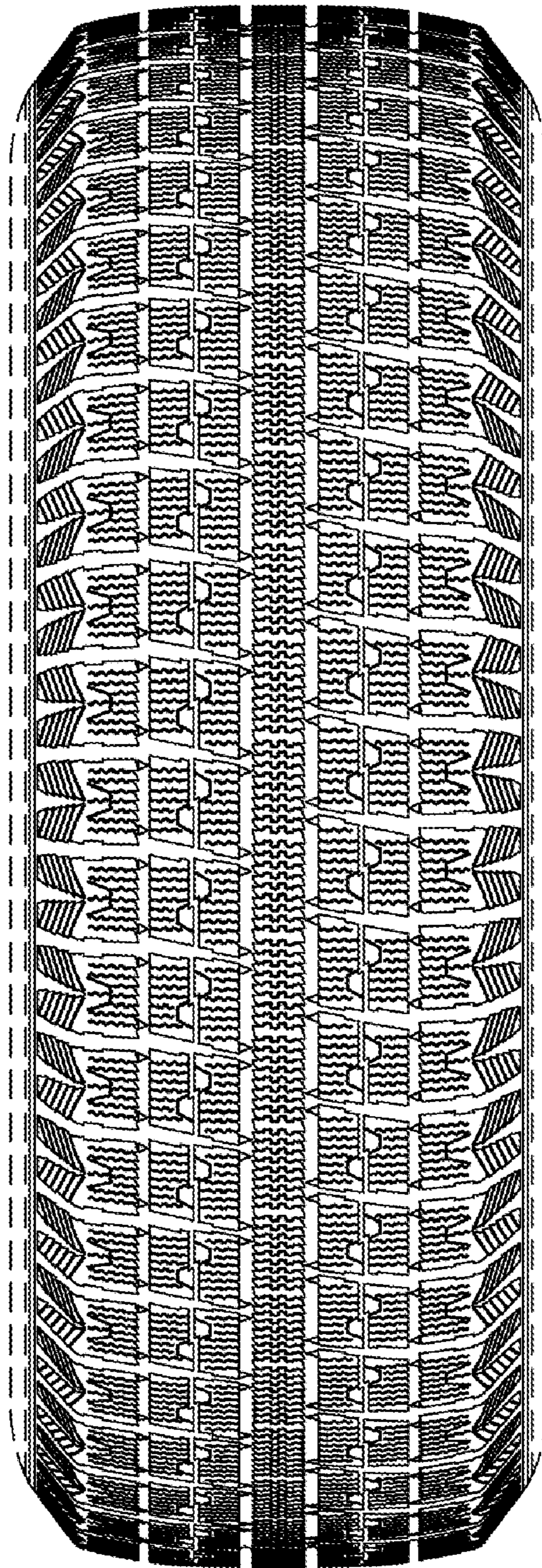


FIG. 4

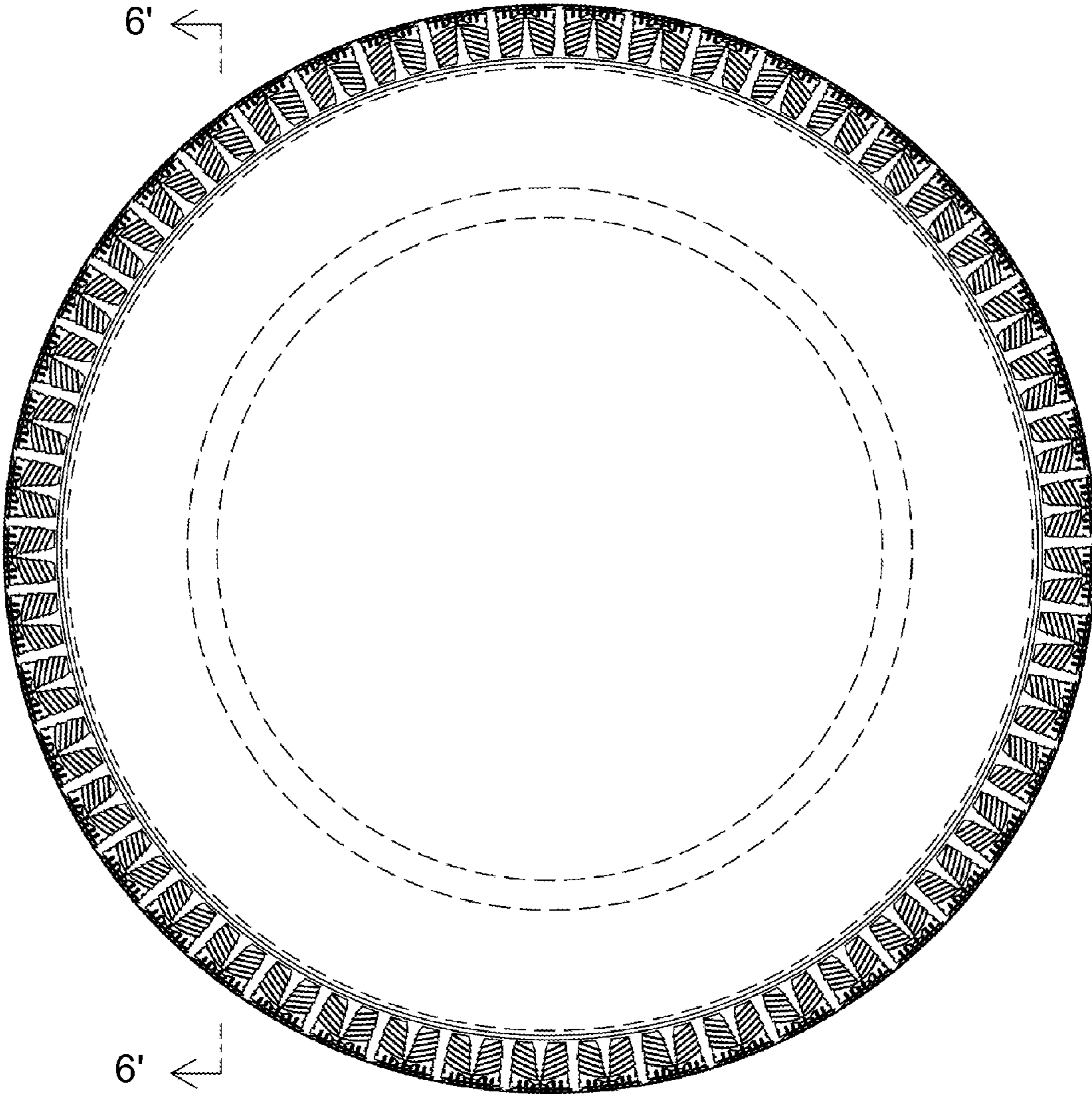


FIG. 5

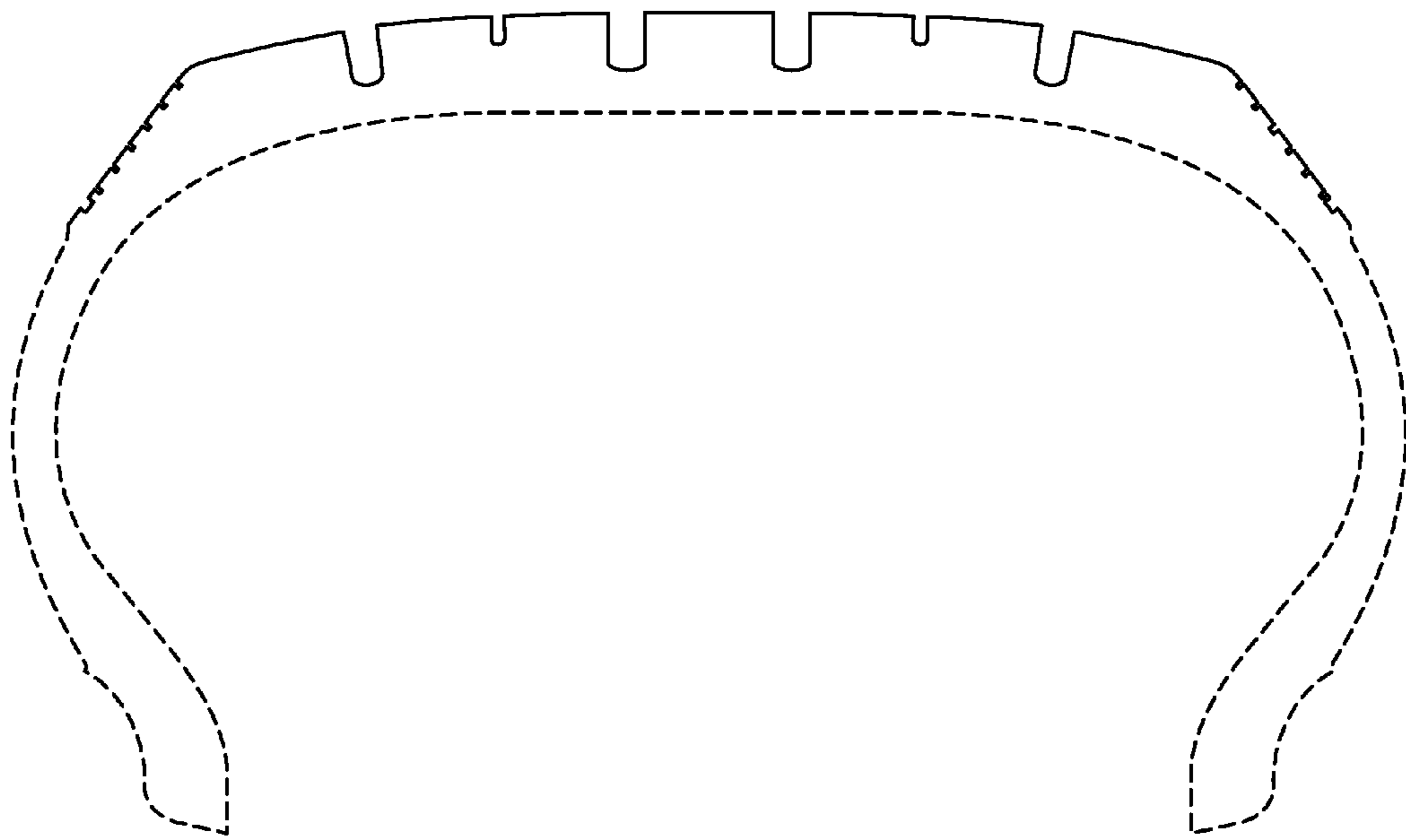


FIG. 6

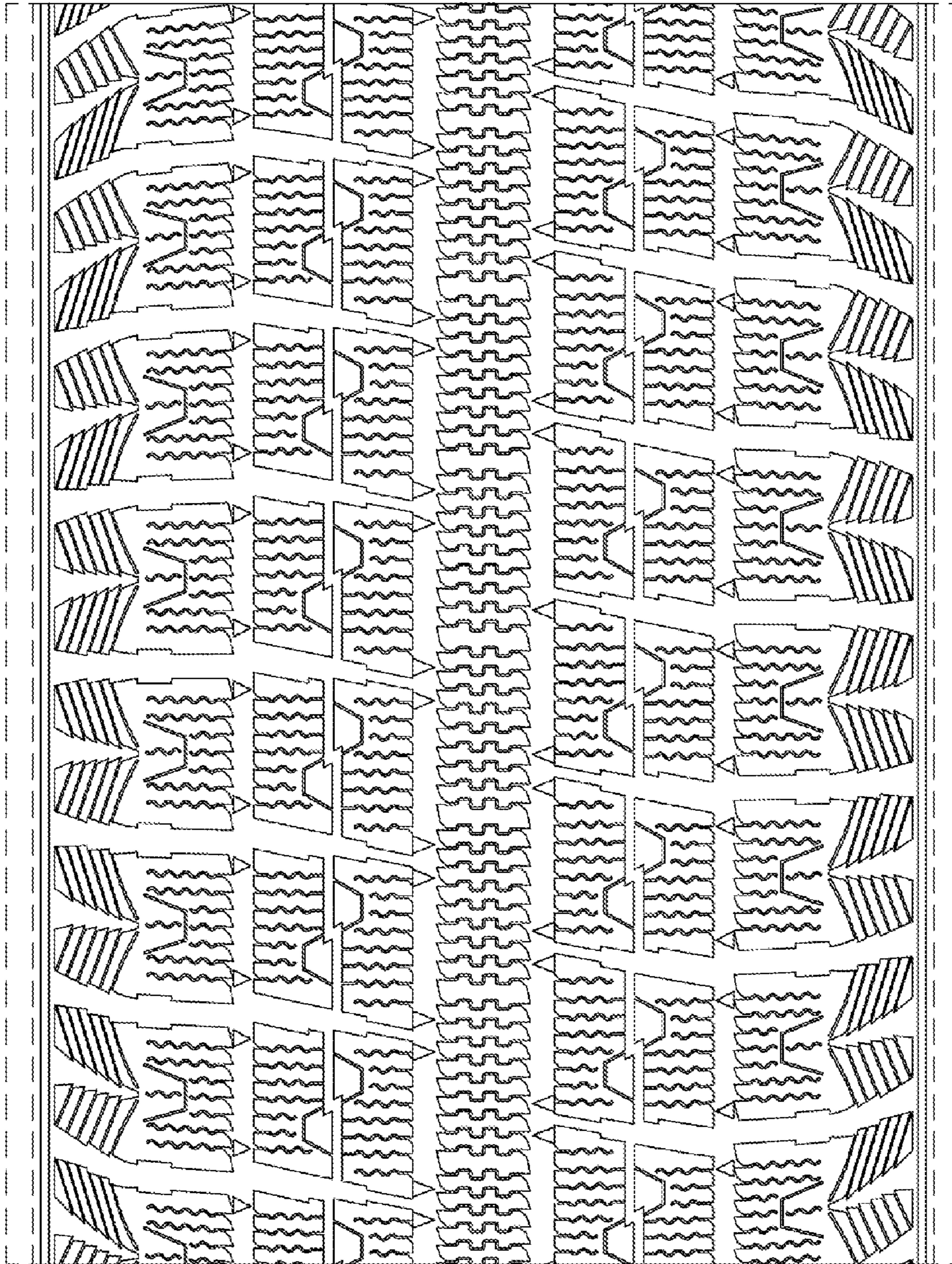


FIG. 7