



US00D615918S

(12) **United States Design Patent**
Kim

(10) **Patent No.:** **US D615,918 S**

(45) **Date of Patent:** **** May 18, 2010**

(54) **WIPER BLADE**

(75) Inventor: **In-Kyu Kim**, Ansan-si (KR)

(73) Assignee: **ADM 21 Co., Ltd.**, Ansan-si,
Gyeonggi-do (KR)

(**) Term: **14 Years**

(21) Appl. No.: **29/340,783**

(22) Filed: **Jul. 24, 2009**

(30) **Foreign Application Priority Data**

May 12, 2009 (KR) 30-2009-0020232

(51) **LOC (9) Cl.** **12-06**

(52) **U.S. Cl.** **D12/219**

(58) **Field of Classification Search** D12/219-220;
15/246, 247, 250.001, 250.4, 250.361, 250.19,
15/250.48, 250.03, 250.31-250.33, 250.351,
15/250.38, 250.201, 250.451, 250.458, 250.04,
15/250.07, 250.44

See application file for complete search history.

(56) **References Cited**

U.S. PATENT DOCUMENTS

| | | | |
|----------------|---------|-----------------|-----------|
| D442,537 S | 5/2001 | Kim | |
| D443,245 S | 6/2001 | Kim | |
| 6,539,576 B2 | 4/2003 | Kim | |
| D487,047 S | 2/2004 | Kim | |
| D490,763 S | 6/2004 | Kim | |
| 6,836,926 B1 * | 1/2005 | De Block | 15/250.43 |
| D522,025 S | 5/2006 | Niebauer et al. | |
| D555,068 S | 11/2007 | Kim | |
| D556,115 S | 11/2007 | Kim | |
| D556,116 S | 11/2007 | Kim | |
| D556,117 S | 11/2007 | Kim | |
| D556,667 S | 12/2007 | Kim | |
| D565,493 S * | 4/2008 | Kim | D12/219 |
| D565,494 S | 4/2008 | Kim | |
| D592,581 S | 5/2009 | Kim | |
| D593,023 S | 5/2009 | Kim | |
| D593,480 S | 6/2009 | Kim | |
| D594,805 S | 6/2009 | Kim | |

| | | | |
|-------------------|---------|-----------------|-----------|
| D594,806 S | 6/2009 | Kim | |
| D598,359 S | 8/2009 | Kim | |
| D601,077 S * | 9/2009 | Kim | D12/219 |
| 7,587,783 B1 * | 9/2009 | Lin | 15/250.43 |
| 2007/0266517 A1 | 11/2007 | Kim | |
| 2008/0263810 A1 * | 10/2008 | De Block et al. | 15/250.32 |

FOREIGN PATENT DOCUMENTS

| | | |
|----|--------|---------|
| CA | 115235 | 10/2007 |
| CA | 119152 | 9/2008 |
| CA | 119153 | 9/2008 |
| CA | 119154 | 9/2008 |
| CA | 119155 | 9/2008 |

(Continued)

OTHER PUBLICATIONS

U.S. Appl. No. 29/324,254, filed Sep. 9, 2008.

(Continued)

Primary Examiner—Caron Veynar
Assistant Examiner—Katrina A Kile

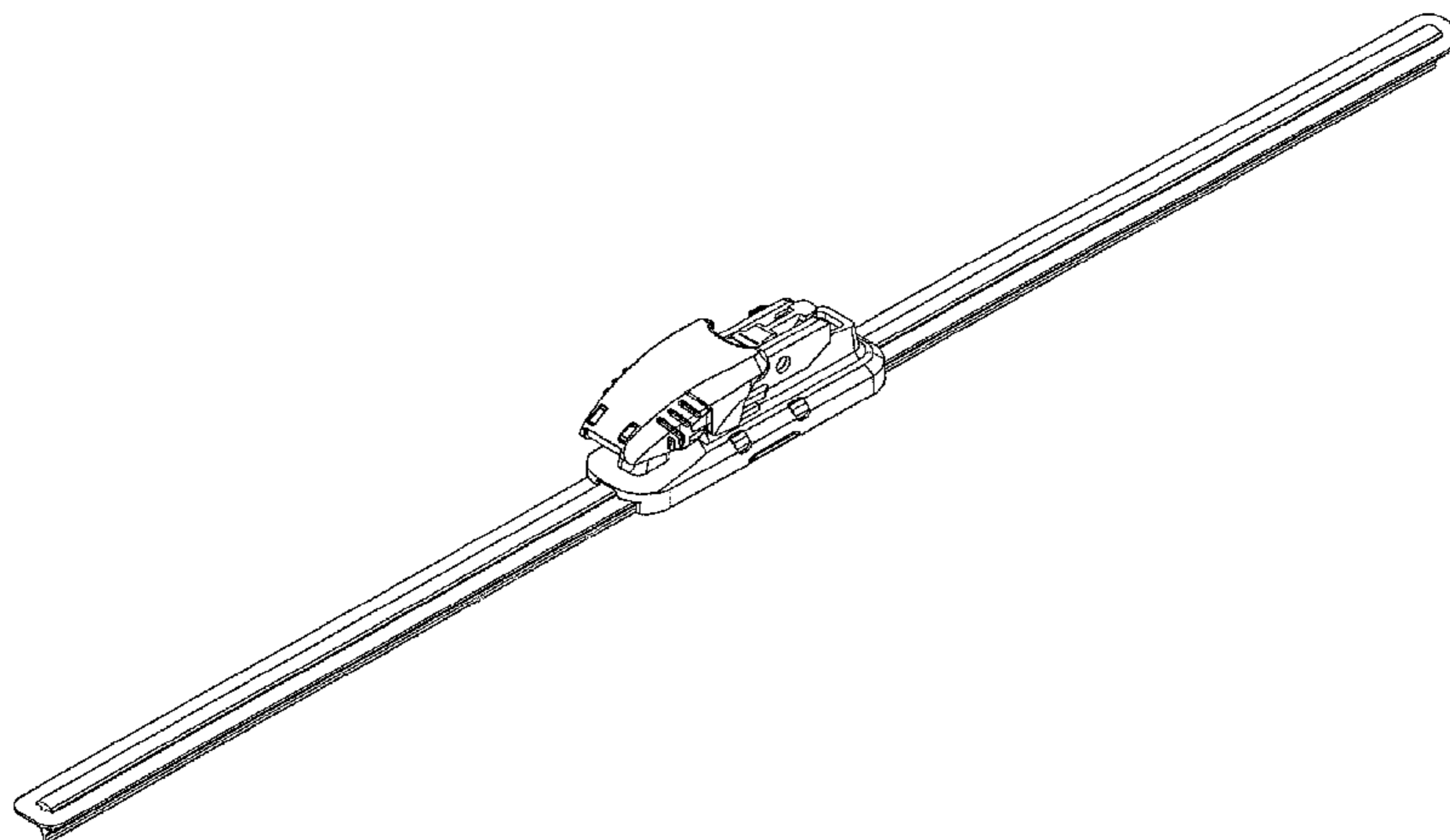
(57) **CLAIM**

The ornamental design for a wiper blade, as shown and described.

DESCRIPTION

FIG. 1 is a perspective view of a wiper blade showing my new design;
FIG. 2 is a front view thereof;
FIG. 3 is a rear view thereof;
FIG. 4 is an enlarged left side view thereof;
FIG. 5 is an enlarged right side view thereof;
FIG. 6 is a top plan view thereof;
FIG. 7 is a bottom plan view thereof;
FIG. 8 is a perspective view thereof;
FIG. 9 is a perspective view thereof; and,
FIG. 10 is a perspective view thereof.

1 Claim, 7 Drawing Sheets



US D615,918 S

Page 2

| FOREIGN PATENT DOCUMENTS | | | | | |
|--------------------------|------------------|---------|----|-----------|---------|
| | | | KR | 0405126 | 12/2005 |
| | | | KR | 0405127 | 12/2005 |
| | | | KR | 0558668 | 3/2006 |
| | | | KR | 0419901 | 6/2006 |
| | | | KR | 0599009 | 7/2006 |
| | | | KR | 0599010 | 7/2006 |
| | | | KR | 0424903 | 9/2006 |
| | | | KR | 0424905 | 9/2006 |
| | | | KR | 0424906 | 9/2006 |
| | | | KR | 0424907 | 9/2006 |
| | | | KR | 0424908 | 9/2006 |
| | | | KR | 0429328 | 10/2006 |
| | | | KR | 0441428 | 2/2007 |
| | | | KR | 0441429 | 2/2007 |
| | | | KR | 0694517 | 3/2007 |
| | | | KR | 0450068 | 5/2007 |
| | | | KR | 0450069 | 5/2007 |
| | | | KR | 0450070 | 5/2007 |
| | | | KR | 0450071 | 5/2007 |
| | | | KR | 0450072 | 5/2007 |
| | | | KR | 0450073 | 5/2007 |
| | | | KR | 0450074 | 5/2007 |
| | | | KR | 0450075 | 5/2007 |
| | | | KR | 0453821 | 6/2007 |
| | | | KR | 0453822 | 6/2007 |
| | | | KR | 0453823 | 6/2007 |
| | | | KR | 0453824 | 6/2007 |
| | | | KR | 0453825 | 6/2007 |
| | | | KR | 0732736 | 6/2007 |
| | | | KR | 0733623 | 6/2007 |
| | | | KR | 0457000 | 7/2007 |
| | | | KR | 0457001 | 7/2007 |
| | | | KR | 753248 | 8/2007 |
| | | | KR | 0450074-1 | 9/2007 |
| | | | KR | 0450075-1 | 9/2007 |
| | | | KR | 0764467 | 9/2007 |
| | | | KR | 0764468 | 9/2007 |
| | | | KR | 0764469 | 9/2007 |
| | | | KR | 0437875 | 12/2007 |
| | | | KR | 0479163 | 1/2008 |
| | | | KR | 0438835 | 2/2008 |
| | | | KR | 0438836 | 2/2008 |
| | | | KR | 0807333 | 2/2008 |
| | | | KR | 0807334 | 2/2008 |
| | | | KR | 0810758 | 2/2008 |
| | | | KR | 699187 | 3/2008 |
| | | | KR | 0813644 | 3/2008 |
| | | | KR | 0813645 | 3/2008 |
| | | | KR | 0439376 | 4/2008 |
| | | | KR | 0820137 | 4/2008 |
| | | | KR | 0491932 | 5/2008 |
| | | | KR | 0813643 | 6/2008 |
| | | | KR | 0441290 | 7/2008 |
| | | | KR | 0512770 | 8/2008 |
| | | | KR | 0512771 | 8/2008 |
| | | | KR | 0442554 | 11/2008 |
| | | | KR | 0512943 | 11/2008 |
| | | | KR | 0512944 | 11/2008 |
| | | | KR | 0512945 | 11/2008 |
| | | | KR | 0869225 | 11/2008 |
| | | | KR | 0514693 | 12/2008 |
| | | | KR | 0514694 | 12/2008 |
| | | | KR | 0514695 | 12/2008 |
| | | | KR | 0290119 | 1/2009 |
| | | | KR | 0520659 | 2/2009 |
| | | | KR | 0520659-1 | 2/2009 |
| | | | KR | 0523327 | 3/2009 |
| | | | KR | 0524428 | 3/2009 |
| | | | KR | 0889958 | 3/2009 |
| | | | KR | 0889959 | 3/2009 |
| CA | 119156 | 9/2008 | | | |
| CA | 2583885 | 10/2008 | | | |
| CA | 121852 | 12/2008 | | | |
| CA | 123031 | 1/2009 | | | |
| CA | 123972 | 1/2009 | | | |
| CA | 123973 | 1/2009 | | | |
| CN | 200720147092.1 | 9/2008 | | | |
| CN | ZL200730339587.X | 12/2008 | | | |
| CN | ZL200730296673.7 | 4/2009 | | | |
| CN | ZL200730296674.1 | 4/2009 | | | |
| EM | 652664-0003 | 1/2007 | | | |
| EM | 652664-0004 | 1/2007 | | | |
| EM | 652664-0005 | 1/2007 | | | |
| EM | 000720347-0001 | 5/2007 | | | |
| EM | 000821442-0001 | 11/2007 | | | |
| EM | 000852454-0001 | 1/2008 | | | |
| EM | 000852454-0002 | 1/2008 | | | |
| EM | 000901558-0001 | 3/2008 | | | |
| EM | 000901558-0002 | 3/2008 | | | |
| EM | 000948922-0001 | 6/2008 | | | |
| EM | 000949532-0001 | 6/2008 | | | |
| EM | 000971940-0001 | 7/2008 | | | |
| EM | 000971940-0002 | 7/2008 | | | |
| EM | 000971940-0003 | 7/2008 | | | |
| EM | 000971940-0004 | 7/2008 | | | |
| EM | 000986021-0001 | 8/2008 | | | |
| EM | 000986021-0002 | 8/2008 | | | |
| EM | 000986021-0003 | 8/2008 | | | |
| EP | 000506050 | 3/2006 | | | |
| EP | 652664-0001 | 1/2007 | | | |
| EP | 652664-0002 | 1/2007 | | | |
| IN | 216594 | 3/2009 | | | |
| JP | 3134473 | 7/2007 | | | |
| JP | 1311410 | 8/2007 | | | |
| JP | 1311411 | 8/2007 | | | |
| JP | 1311412 | 8/2007 | | | |
| JP | 1311413 | 8/2007 | | | |
| JP | 1311414 | 8/2007 | | | |
| JP | 1342112 | 9/2008 | | | |
| JP | 1342127 | 9/2008 | | | |
| JP | 1344588 | 10/2008 | | | |
| JP | 1348074 | 12/2008 | | | |
| JP | 1348482 | 12/2008 | | | |
| JP | 1365622 | 6/2009 | | | |
| JP | 1365891 | 6/2009 | | | |
| JP | 1365892 | 6/2009 | | | |
| JP | 1365893 | 6/2009 | | | |
| KR | 0087335 | 5/1995 | | | |
| KR | 0087575 | 5/1995 | | | |
| KR | 0100121 | 10/1996 | | | |
| KR | 0187952 | 10/1996 | | | |
| KR | 0111262 | 10/1997 | | | |
| KR | 0206429 | 10/1997 | | | |
| KR | 0213320 | 1/1998 | | | |
| KR | 0224182 | 7/1998 | | | |
| KR | 0239487 | 3/1999 | | | |
| KR | 0150052 | 4/1999 | | | |
| KR | 0206157 | 4/1999 | | | |
| KR | 1241914 | 5/1999 | | | |
| KR | 0170832 | 12/1999 | | | |
| KR | 0194057 | 6/2000 | | | |
| KR | 0195679 | 6/2000 | | | |
| KR | 0215829 | 12/2000 | | | |
| KR | 0275947 | 3/2001 | | | |
| KR | 0290118 | 1/2002 | | | |
| KR | 0322394 | 7/2003 | | | |
| KR | 0322396 | 7/2003 | | | |
| KR | 0324236 | 7/2003 | | | |
| KR | 0324326-1 | 7/2003 | | | |
| KR | 0381260 | 5/2005 | | | |
| KR | 0381260-1 | 6/2005 | | | |

US D615,918 S

Page 3

KR 0890893 3/2009

OTHER PUBLICATIONS

U.S. Appl. No. 29/324,290, filed Sep. 10, 2008.
U.S. Appl. No. 29/340,773, filed Jul. 24, 2009.

U.S. Appl. No. 29/340,778, filed Jul. 24, 2009.
U.S. Appl. No. 29/340,782, filed Jul. 24, 2009.
U.S. Appl. No. 29/340,783, filed Jul. 24, 2009.
U.S. Appl. No. 29/340,784, filed Jul. 24, 2009.

* cited by examiner

FIG. 1

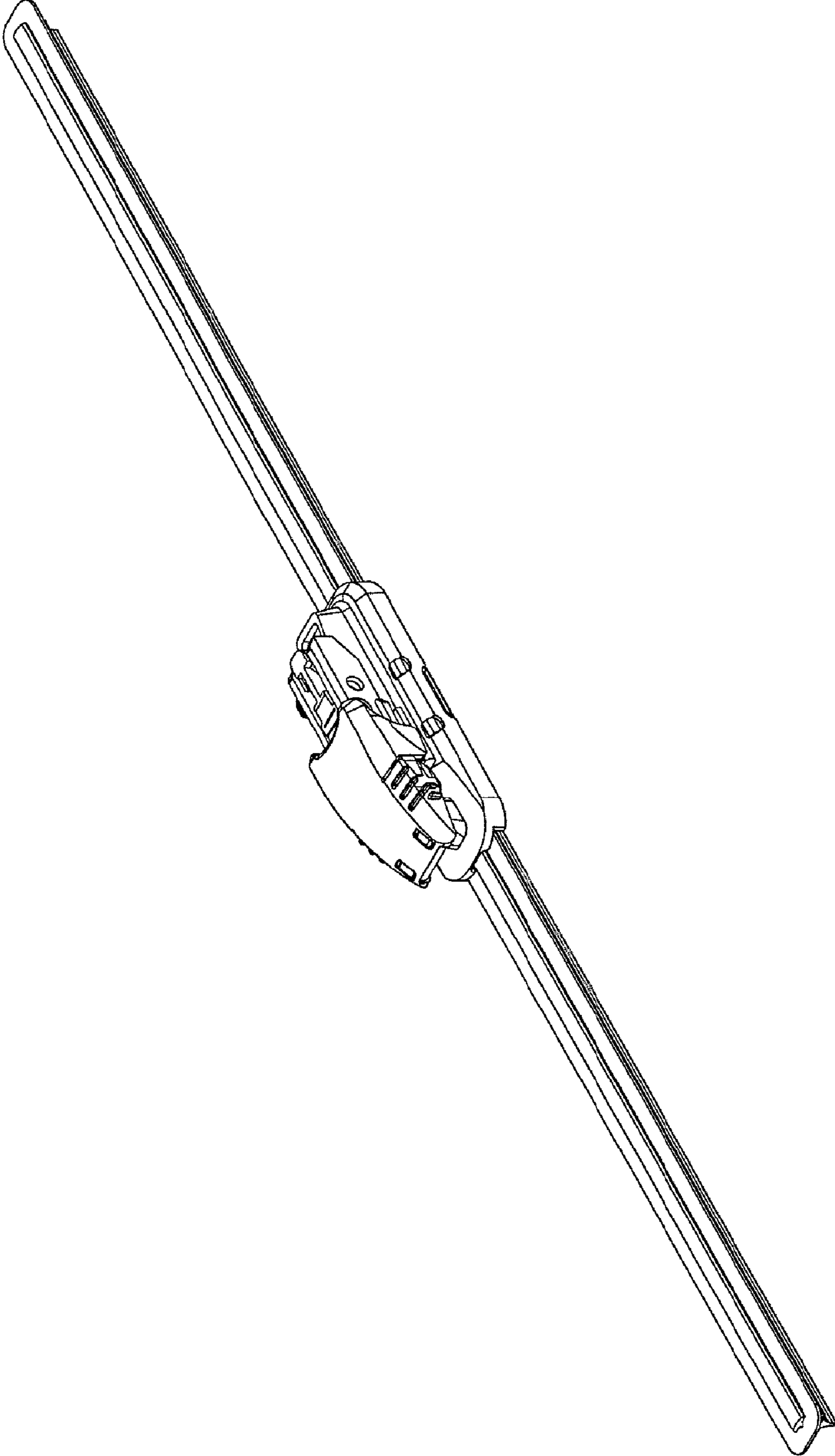


FIG. 2

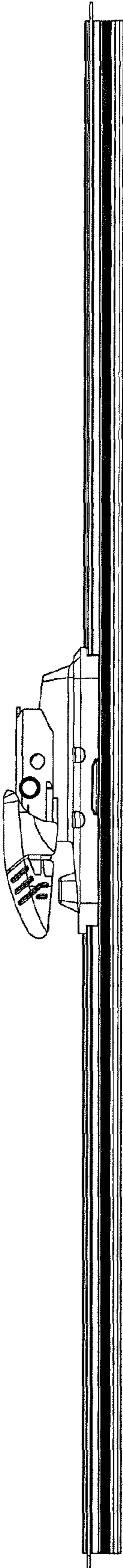


FIG. 3

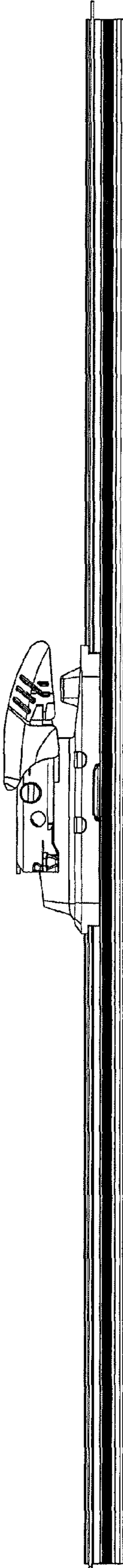


FIG. 4

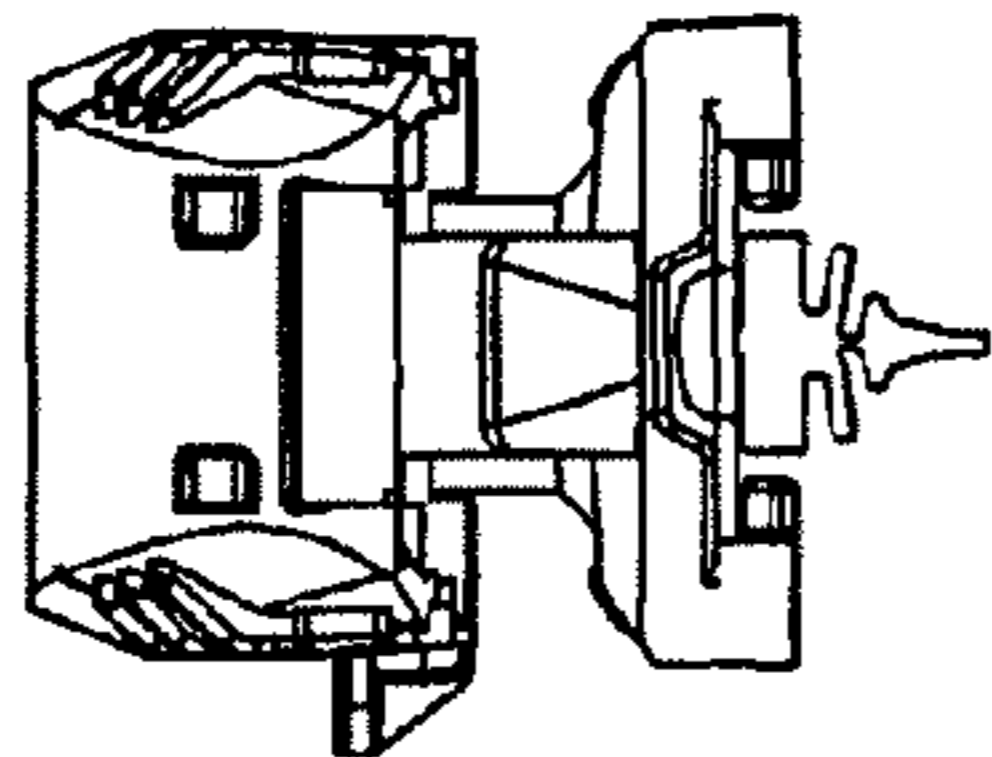


FIG. 5

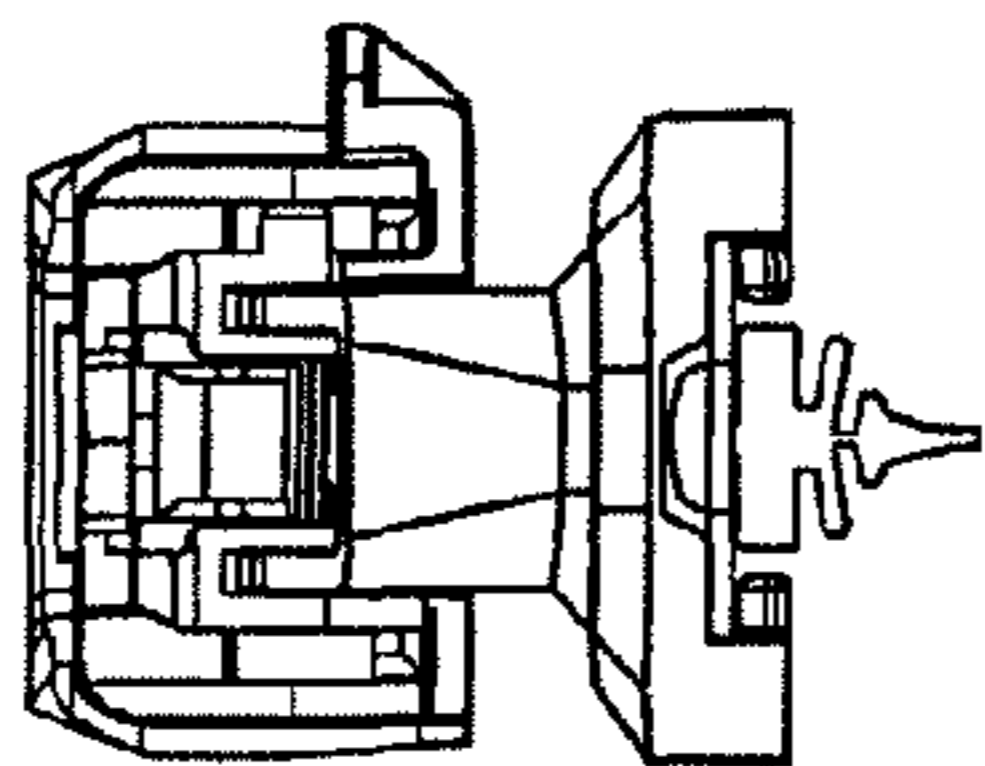


FIG. 6

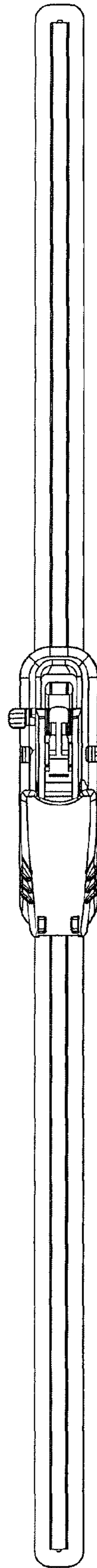


FIG. 7

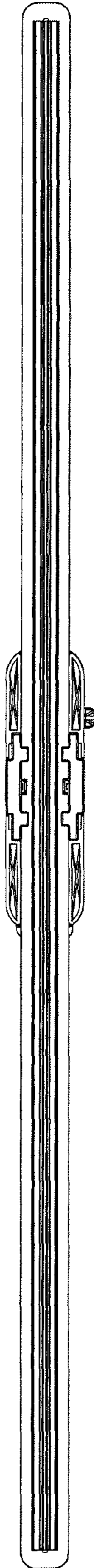


FIG. 8

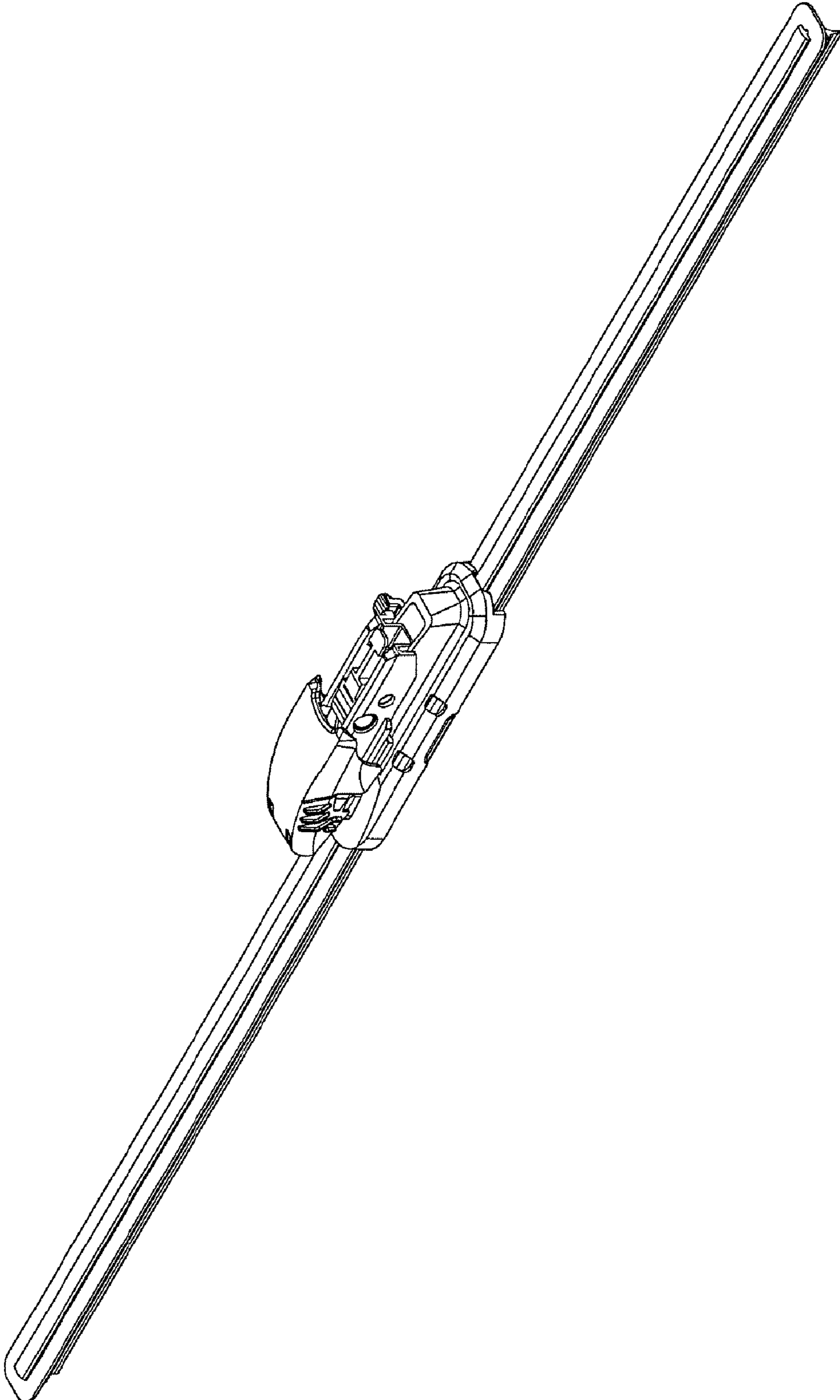


FIG. 9

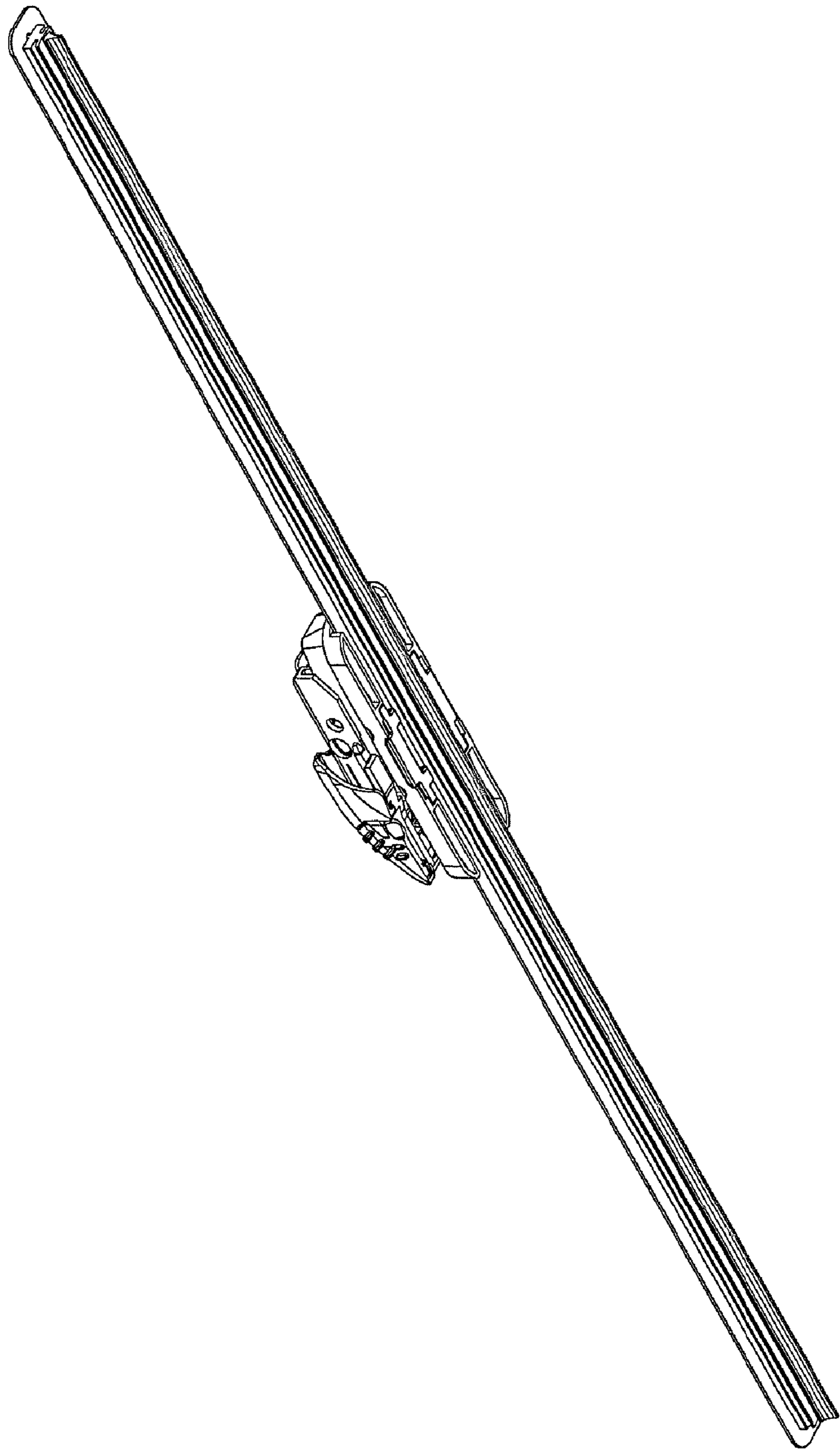


FIG. 10

