



US00D615914S

(12) **United States Design Patent**
Smith et al.

(10) **Patent No.:** **US D615,914 S**

(45) **Date of Patent:** **** May 18, 2010**

(54) **STEERING WHEEL OF A TRUCK VEHICLE**

(75) Inventors: **Jaimi Smith**, Lake Orion, MI (US);
Robert Scott Tirey, Fort Wayne, IN
(US); **Bruce Youngs**, Novi, MI (US);
Uday Srinivas, Bopodi, IN (US); **Joe**
DeNatale, Fort Wayne, IN (US)

(73) Assignee: **Mahindra Navistar Automotives**
Limited (IN)

(**) Term: **14 Years**

(21) Appl. No.: **29/345,015**

(22) Filed: **Oct. 8, 2009**

(51) **LOC (9) Cl.** **12-16**

(52) **U.S. Cl.** **D12/176**

(58) **Field of Classification Search** D12/175,
D12/176; 74/552, 558, 558.5

See application file for complete search history.

(56) **References Cited**

U.S. PATENT DOCUMENTS

- D472,858 S * 4/2003 Pfeiffer et al. D12/176
- D475,665 S * 6/2003 Pfeiffer et al. D12/176
- D476,930 S * 7/2003 Sieghart D12/176

- D483,305 S * 12/2003 Okumura D12/176
- D499,054 S * 11/2004 Pfeiffer D12/176
- D503,665 S * 4/2005 Pfeiffer et al. D12/176
- D525,573 S * 7/2006 Young D12/176
- D527,320 S * 8/2006 Pfeiffer D12/176
- D564,952 S * 3/2008 Shinshima et al. D12/176
- D564,953 S * 3/2008 Tanaka D12/176
- D571,697 S * 6/2008 Maeda et al. D12/176

* cited by examiner

Primary Examiner—Melody N Brown

(74) *Attorney, Agent, or Firm*—Jeffrey P. Calfa; Mark C. Bach; Gerald W. Askew

(57) **CLAIM**

The ornamental design for a steering wheel of a truck vehicle, as shown and described.

DESCRIPTION

FIG. 1 is a left, front perspective view of a steering wheel of a truck vehicle showing our new design;

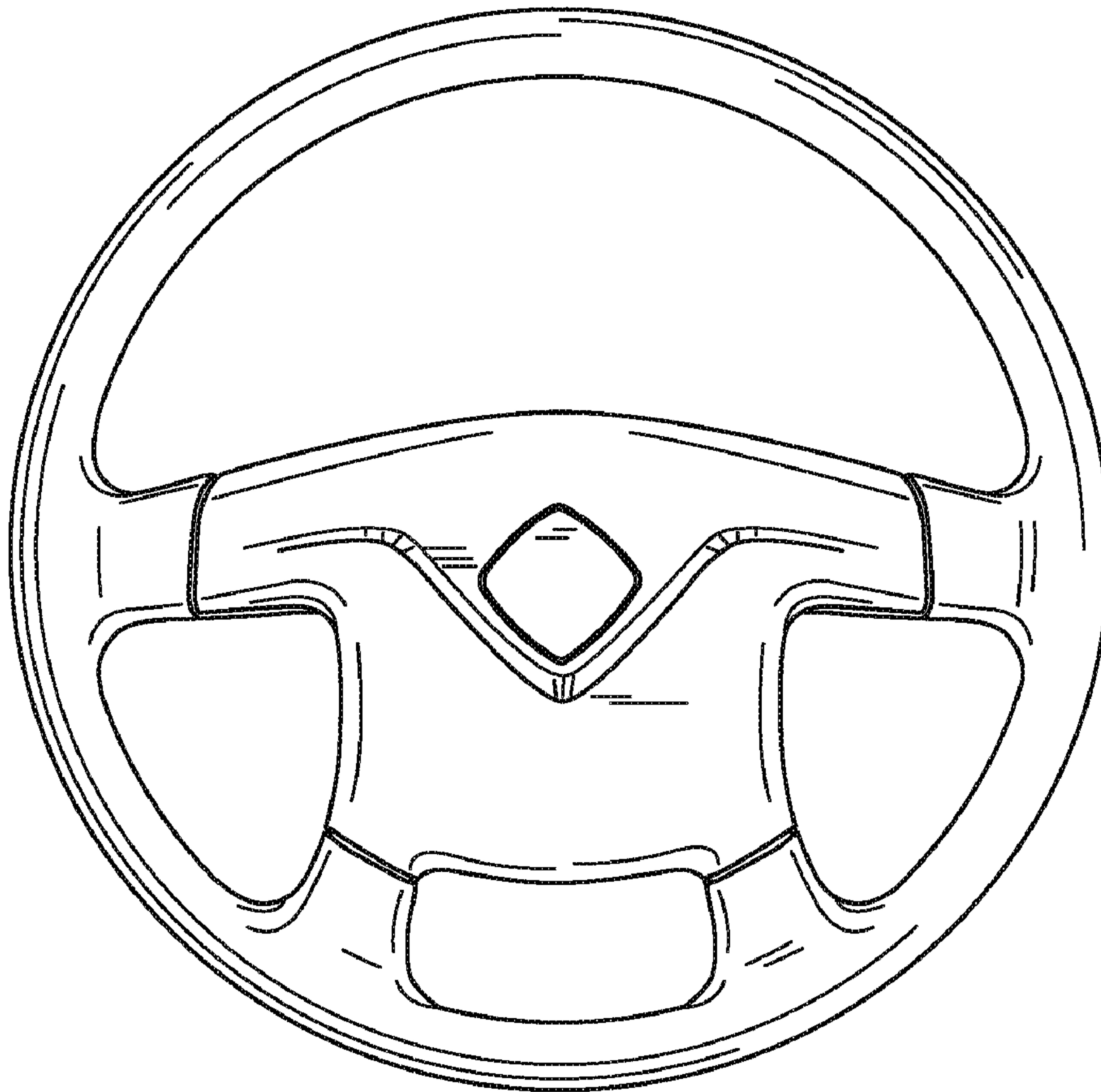
FIG. 2 is a bottom view thereof;

FIG. 3 is a top view thereof;

FIG. 4 is a front view thereof; and,

FIG. 5 is a left view thereof.

1 Claim, 2 Drawing Sheets



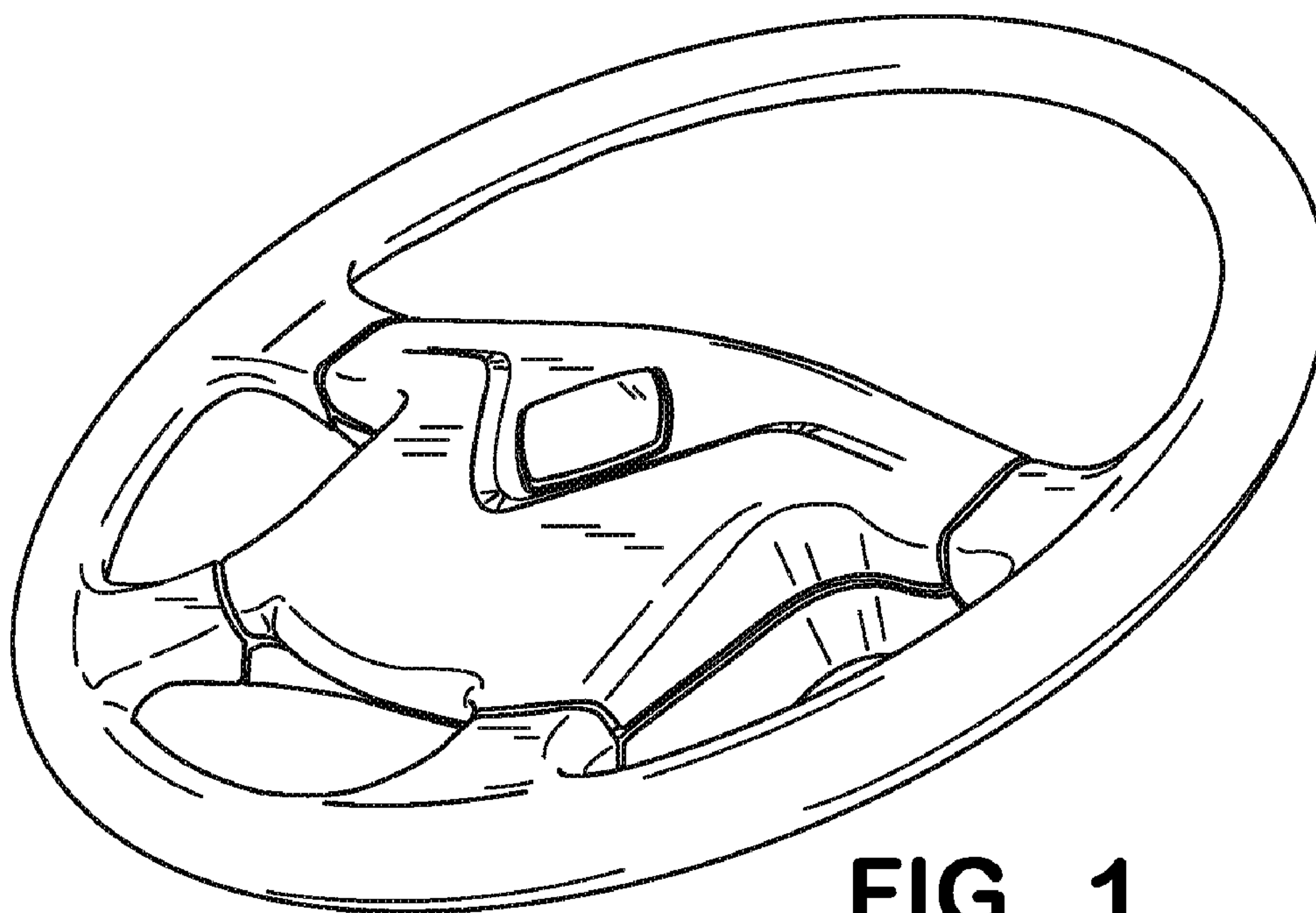


FIG. 1

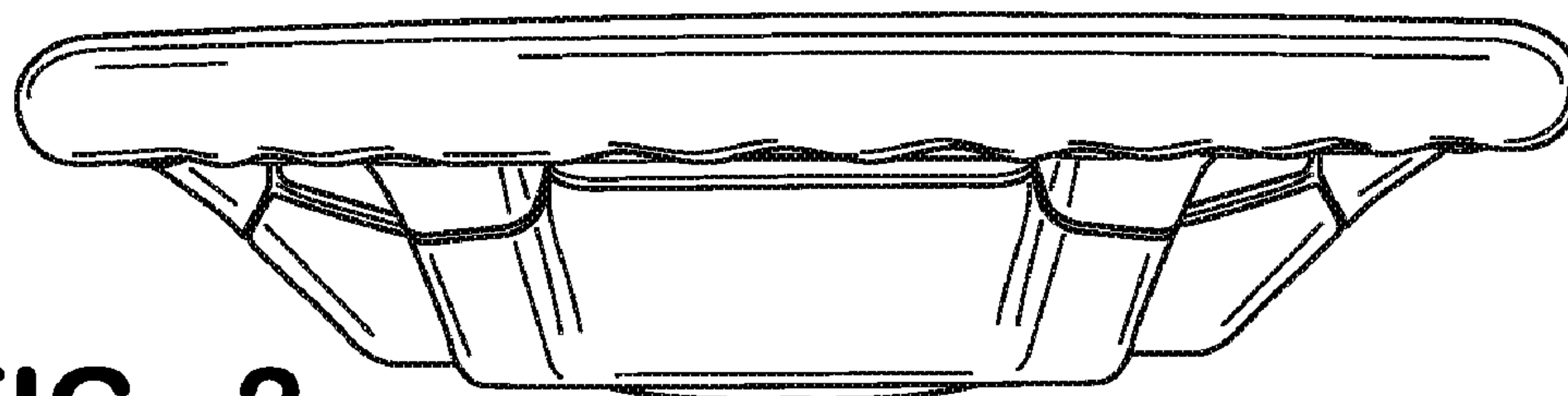


FIG. 2



FIG. 3

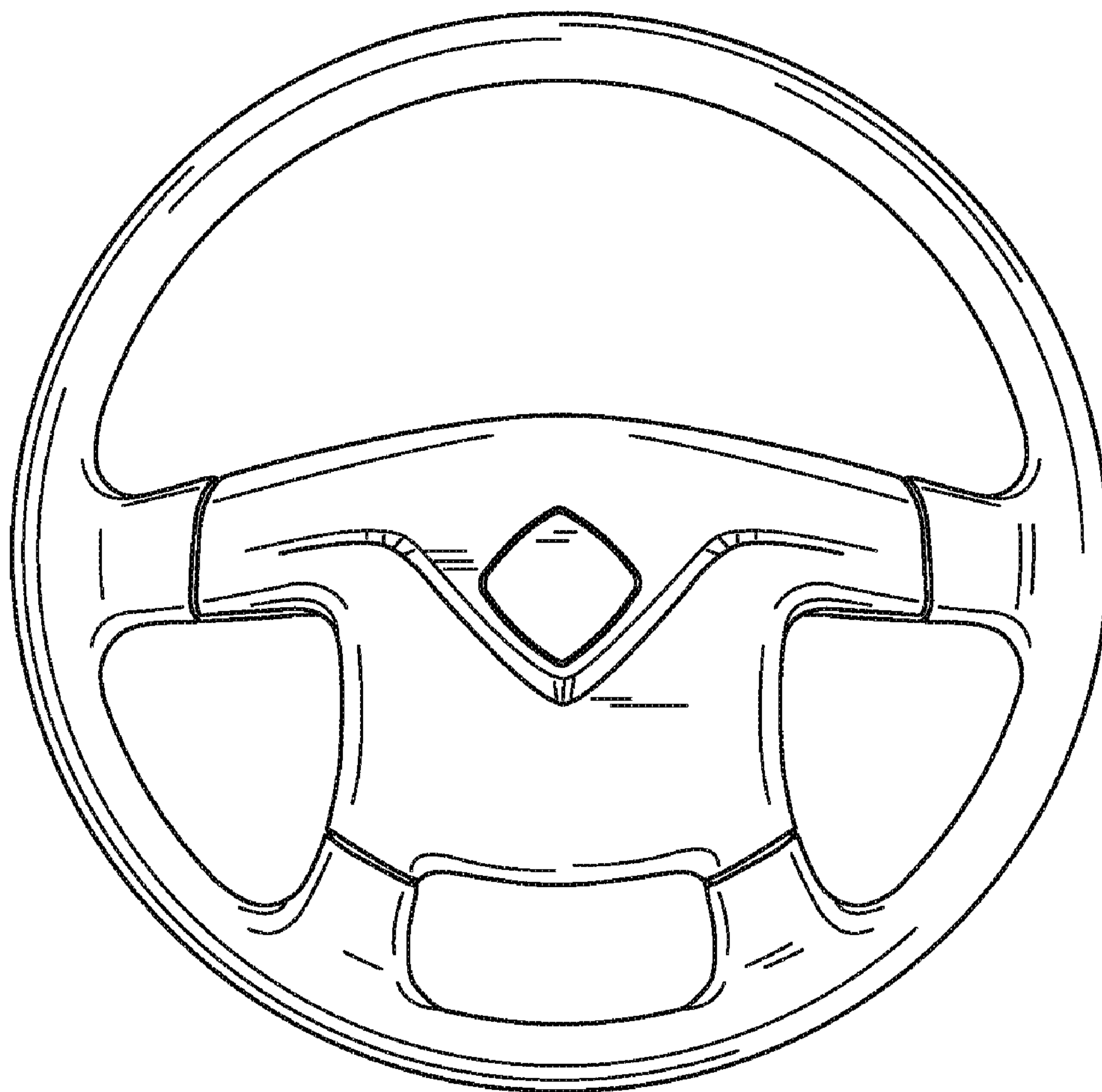


FIG. 4

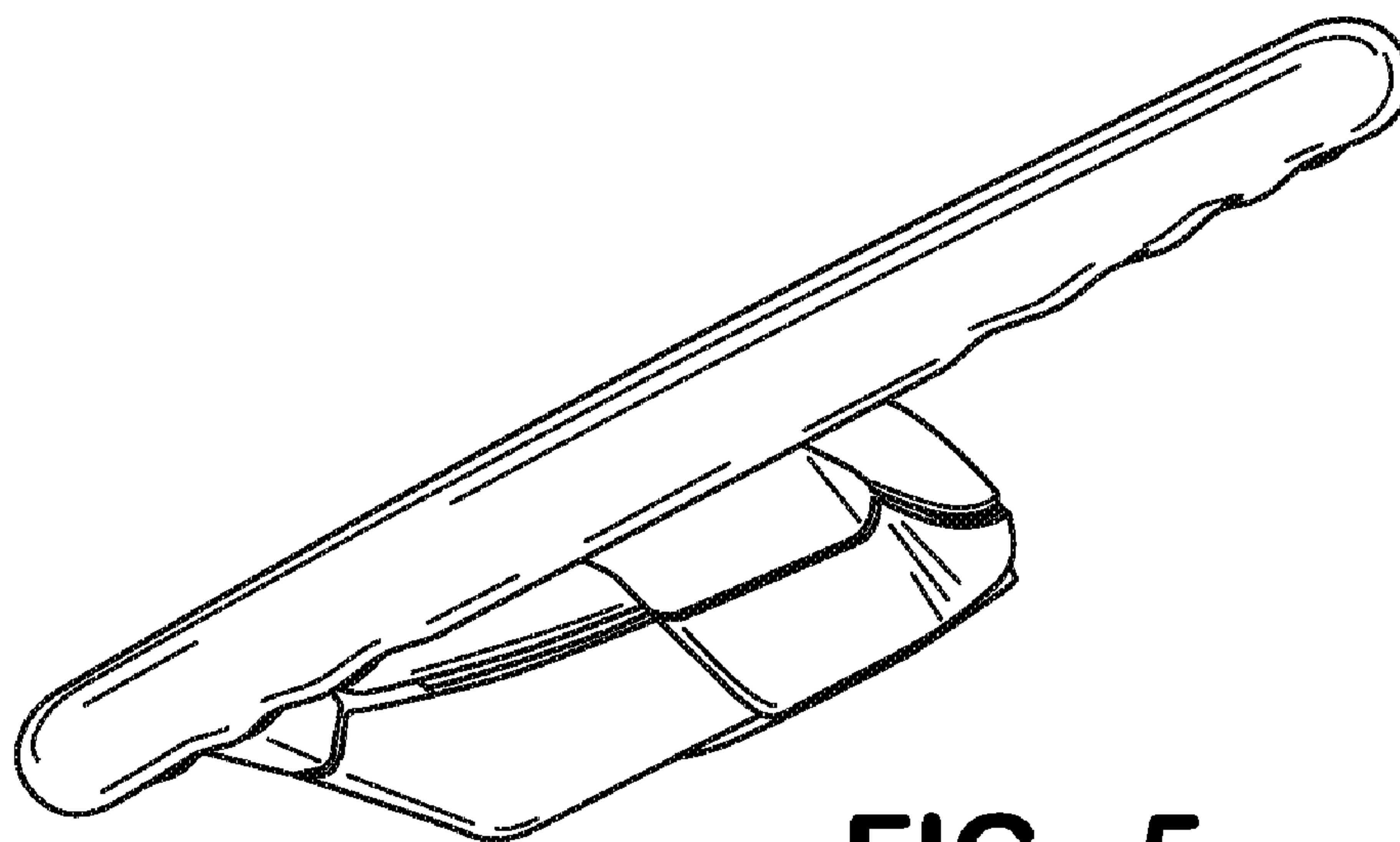


FIG. 5