



US00D615912S

(12) **United States Design Patent**  
**Akasawa et al.**

(10) **Patent No.:** **US D615,912 S**  
(45) **Date of Patent:** **\*\* May 18, 2010**

(54) **REAR BUMPER FOR MOTOR VEHICLE**

D600,176 S \* 9/2009 Yamazaki et al. .... D12/169  
D602,822 S \* 10/2009 Irie ..... D12/169

(75) Inventors: **Kenichi Akasawa**, Chigasaki (JP);  
**Ryouichi Tokuoka**, Chigasaki (JP)

\* cited by examiner

(73) Assignee: **Autech Japan Inc.**, Kanagawa (JP)

*Primary Examiner*—Melody N Brown  
(74) *Attorney, Agent, or Firm*—Wenderoth, Lind & Ponack,  
L.L.P.

(\*\*) Term: **14 Years**

(21) Appl. No.: **29/350,661**

(57) **CLAIM**

(22) Filed: **Nov. 20, 2009**

An ornamental design for the rear bumper for the motor vehicle, as shown and described.

(51) **LOC (9) Cl.** ..... **12-16**

(52) **U.S. Cl.** ..... **D12/169**

(58) **Field of Classification Search** ..... D12/169,  
D12/196, 171, 163, 216, 90-92, 86; 293/102,  
293/113, 115, 117, 120; 296/180.1, 180.2  
See application file for complete search history.

**DESCRIPTION**

FIG. 1 is a front view of the rear bumper for the motor vehicle showing our new design;

FIG. 2 is a top plan view thereof;

FIG. 3 is a bottom view thereof;

FIG. 4 is a rear view showing thereof;

FIG. 5 is a right side view thereof;

FIG. 6 is a left side view thereof; and,

FIG. 7 is a perspective view thereof.

(56) **References Cited**

**U.S. PATENT DOCUMENTS**

D559,744 S \* 1/2008 Hieke ..... D12/169  
D559,746 S \* 1/2008 Hieke ..... D12/169  
D570,262 S \* 6/2008 Elmitt ..... D12/169  
D574,305 S \* 8/2008 Baum ..... D12/169  
D590,306 S \* 4/2009 Saracoglu ..... D12/169

**1 Claim, 4 Drawing Sheets**

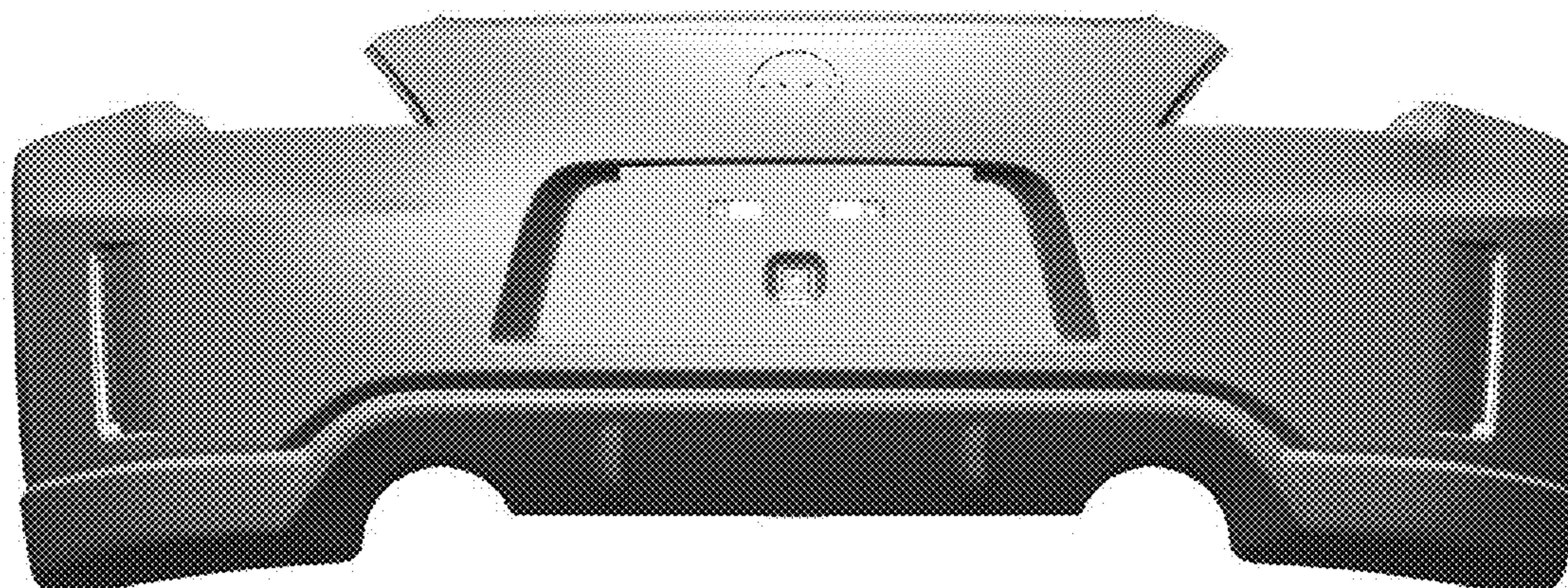


FIG. 1

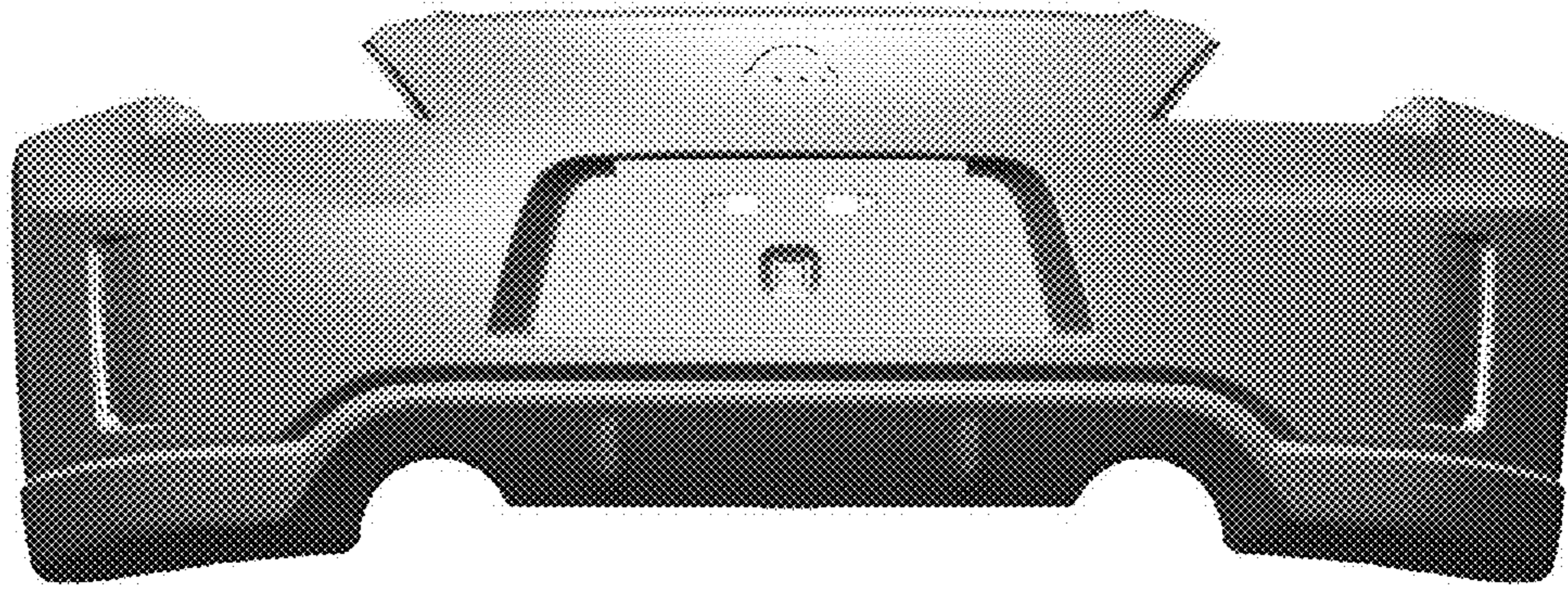


FIG. 2

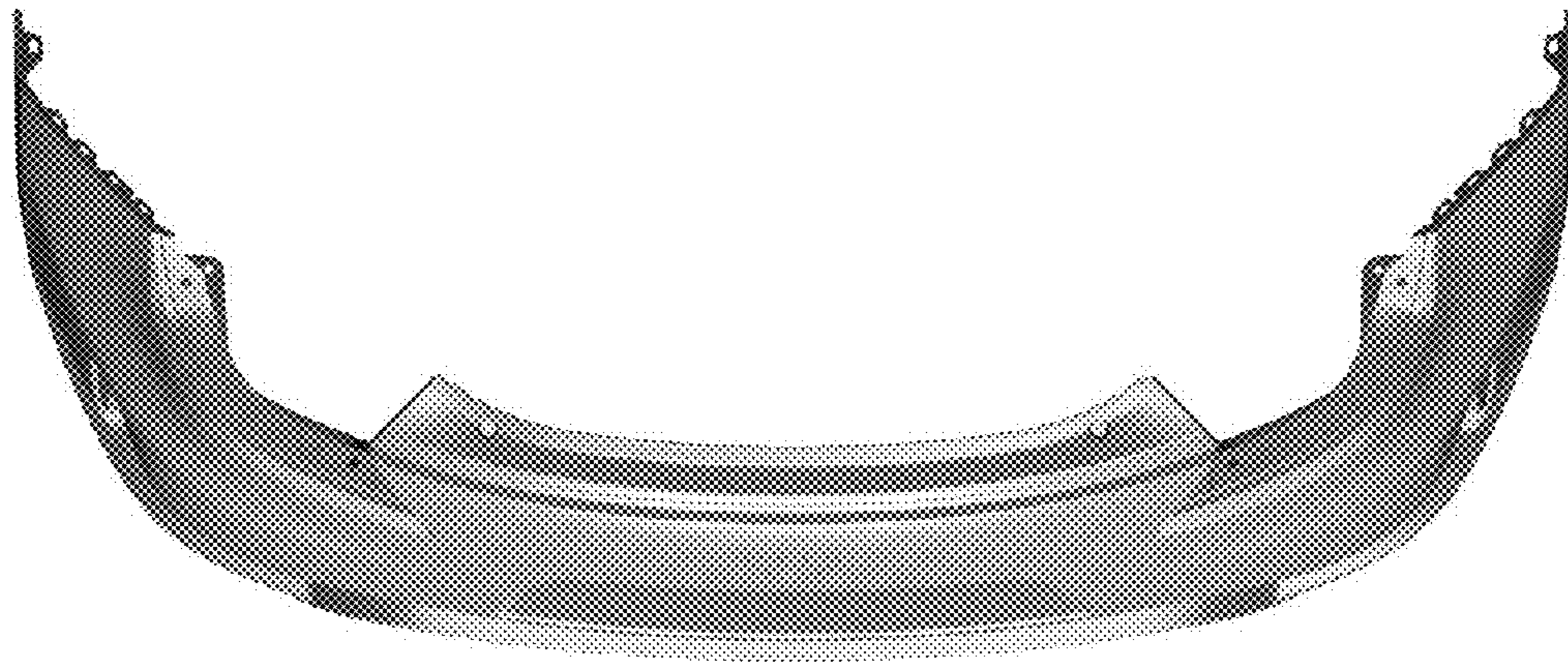


FIG. 3

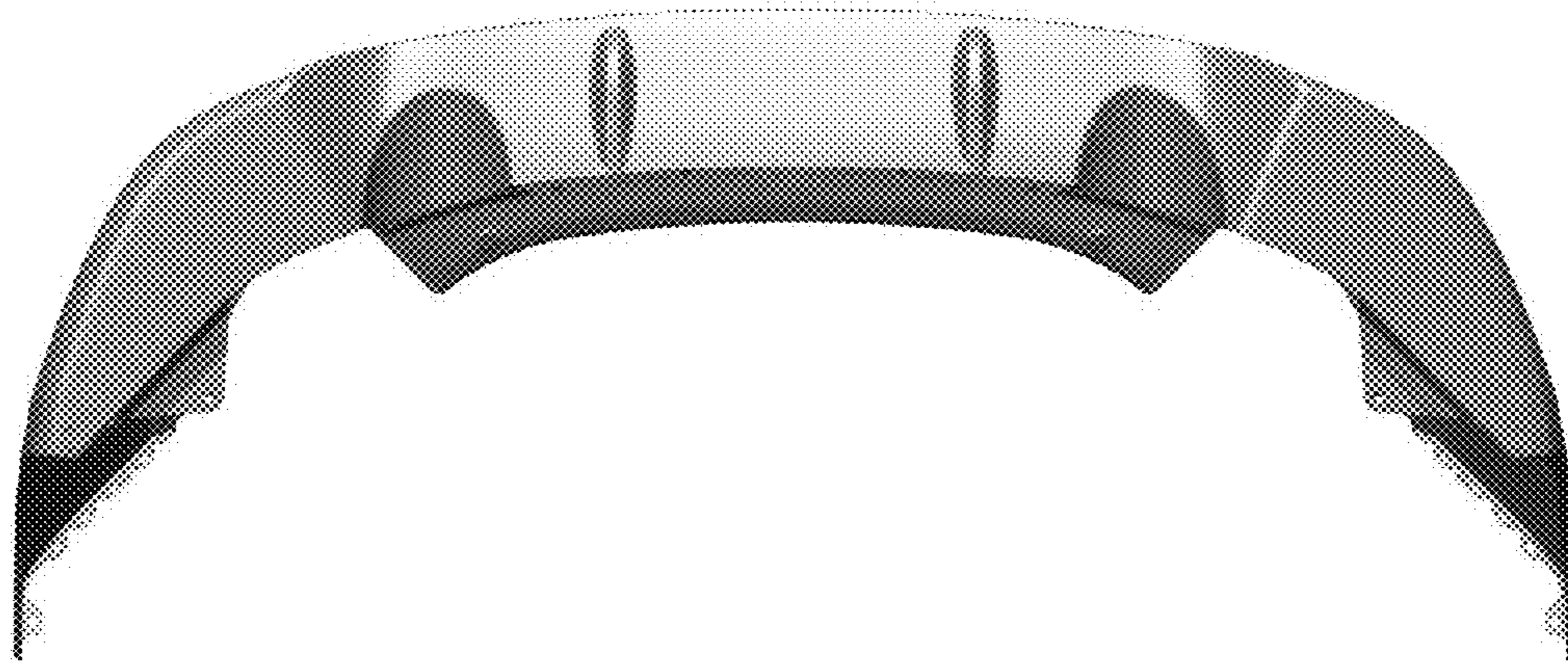


FIG. 4

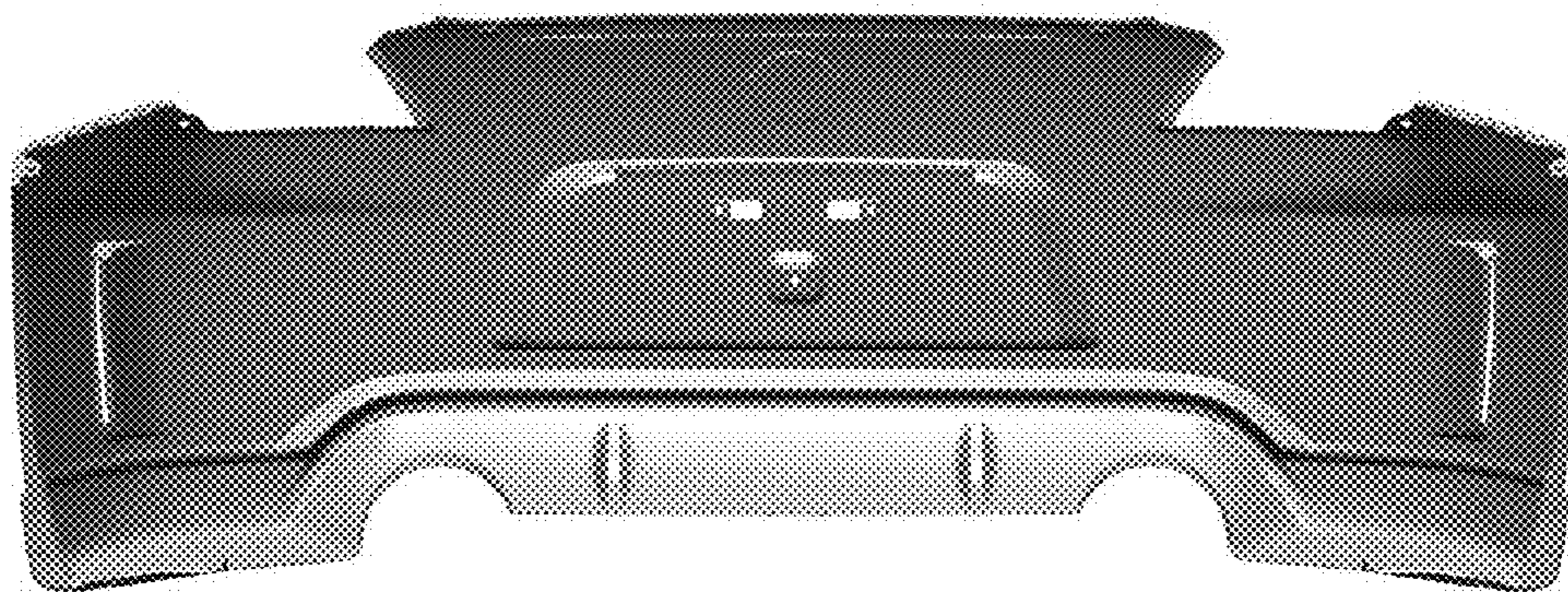


FIG. 5



FIG. 6



FIG. 7

