



US00D615910S

(12) **United States Design Patent**
Borkert

(10) **Patent No.:** **US D615,910 S**

(45) **Date of Patent:** **** May 18, 2010**

(54) **AUTOMOBILE FRONT BUMPER**

(75) Inventor: **Mitja Borkert**, Pforzheim (DE)

(73) Assignee: **Dr. Ing. h.c. F. Porsche AG**, Stuttgart (DE)

(**) Term: **14 Years**

(21) Appl. No.: **29/318,728**

(22) Filed: **May 27, 2008**

(30) **Foreign Application Priority Data**

Nov. 26, 2007 (DE) 4 07 05 843

(51) **LOC (9) Cl.** **12-16**

(52) **U.S. Cl.** **D12/169**

(58) **Field of Classification Search** D12/169,
D12/196, 171, 163, 216, 90-92, 86; 293/102,
293/113, 115, 117, 120; 296/180.1, 180.2
See application file for complete search history.

(56) **References Cited**

U.S. PATENT DOCUMENTS

D584,200 S * 1/2009 Leclercq D12/169

D592,566 S * 5/2009 Saracoglu D12/169

D592,568 S * 5/2009 Borkert D12/169

D597,453 S * 8/2009 Varga D12/169

D598,334 S * 8/2009 Giachin D12/169

D598,827 S * 8/2009 Kanai et al. D12/169

D598,828 S * 8/2009 Lee D12/169

* cited by examiner

Primary Examiner—Melody N Brown

(57) **CLAIM**

The ornamental design for an automobile front bumper, as shown and described.

DESCRIPTION

FIG. 1 is a front elevation view of an automobile front bumper showing my new design;

FIG. 2 is a front elevation view thereof;

FIG. 3 is a left-side view thereof;

FIG. 4 is a right side elevation view thereof;

FIG. 5 is a rear elevation view thereof;

FIG. 6 is a top plan view thereof; and,

FIG. 7 is a bottom, plan view thereof.

1 Claim, 4 Drawing Sheets

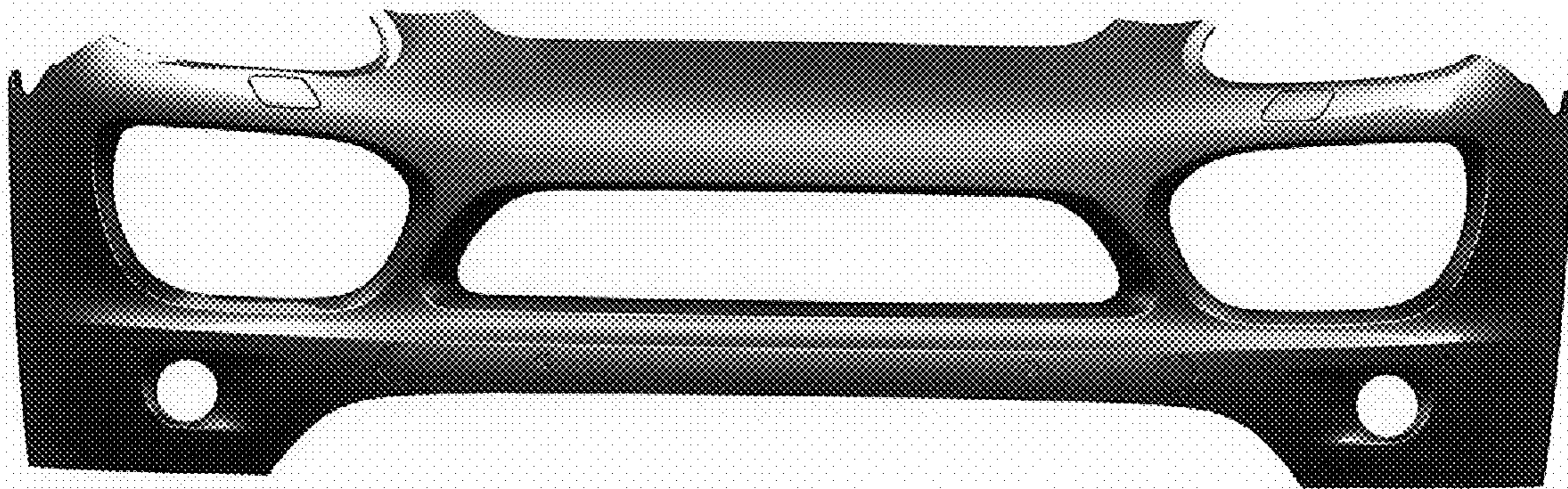




FIG. 1

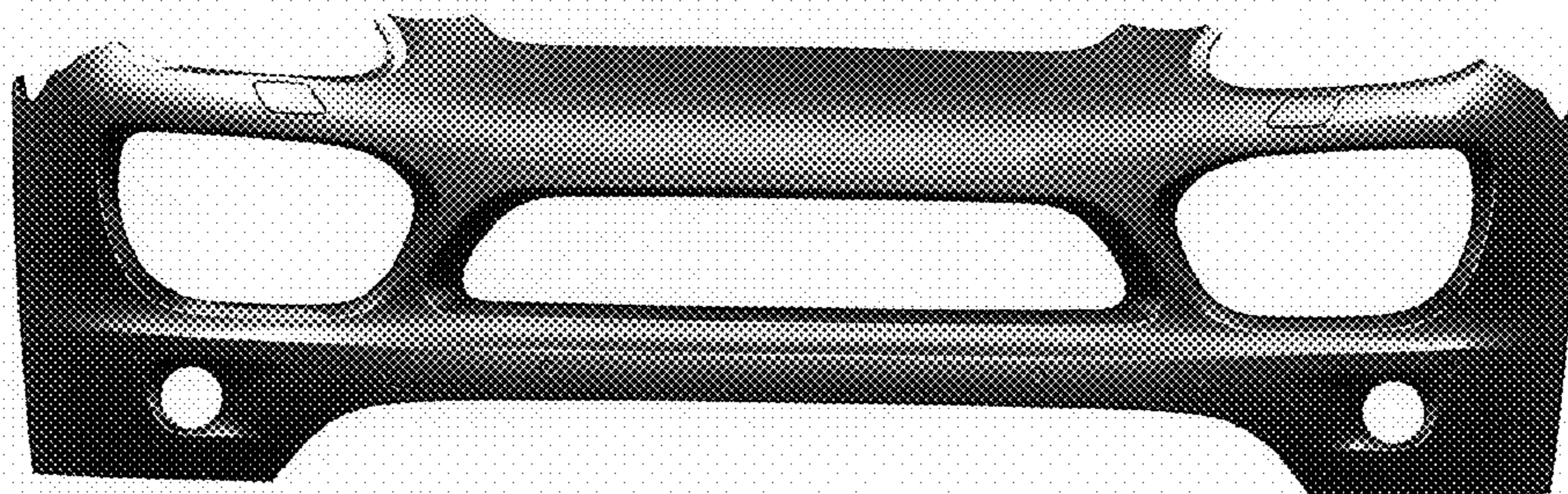


FIG. 2

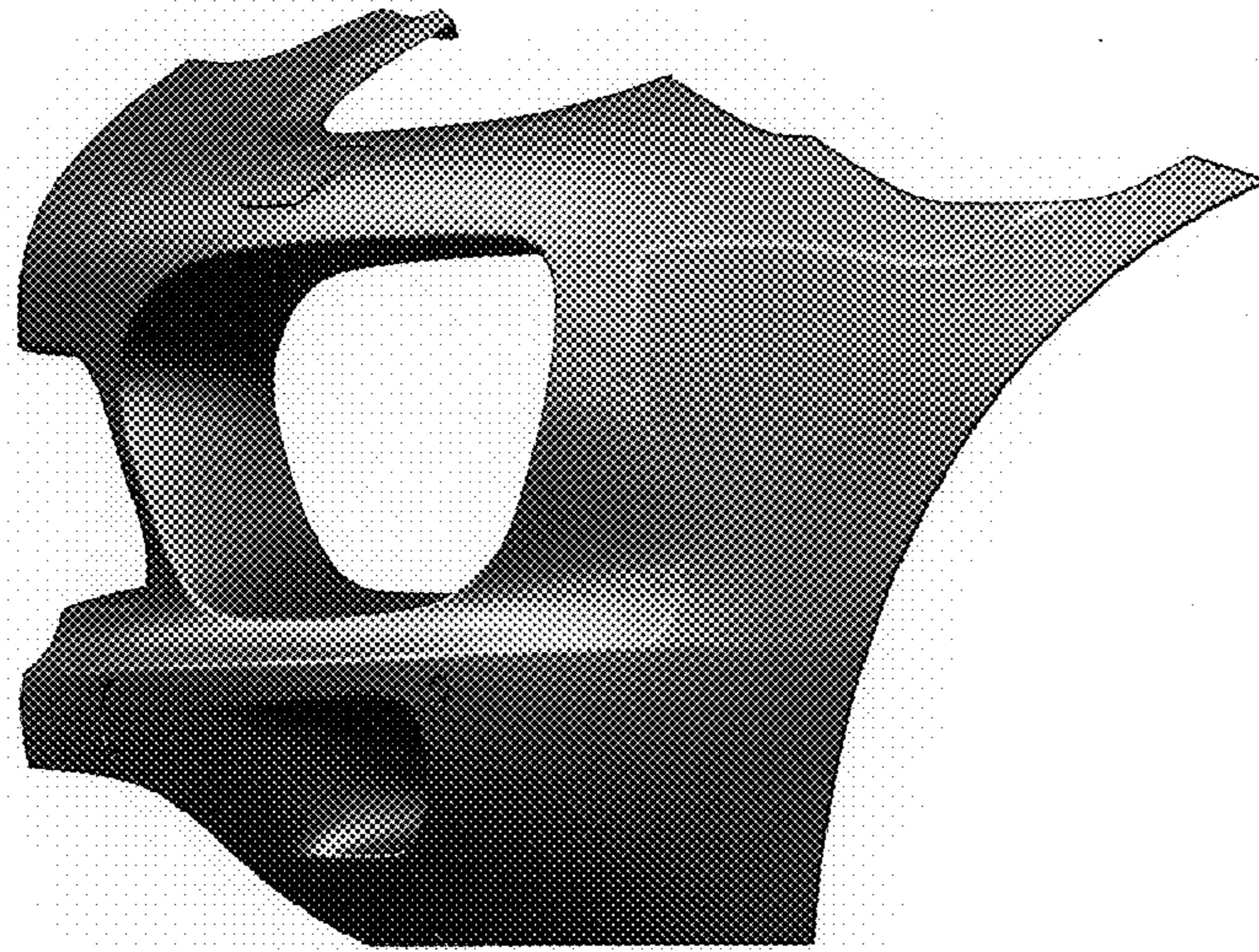


FIG. 3

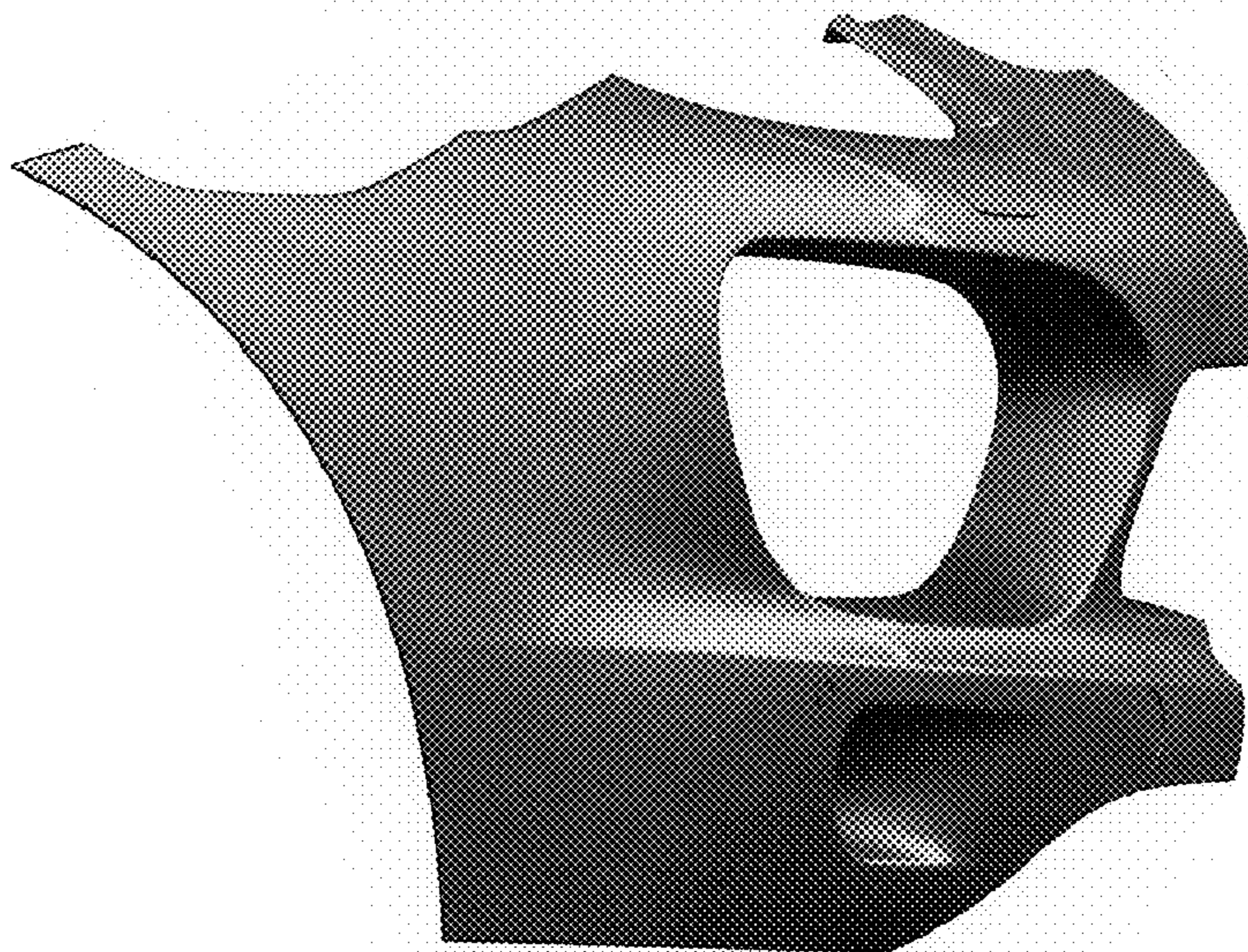


FIG. 4

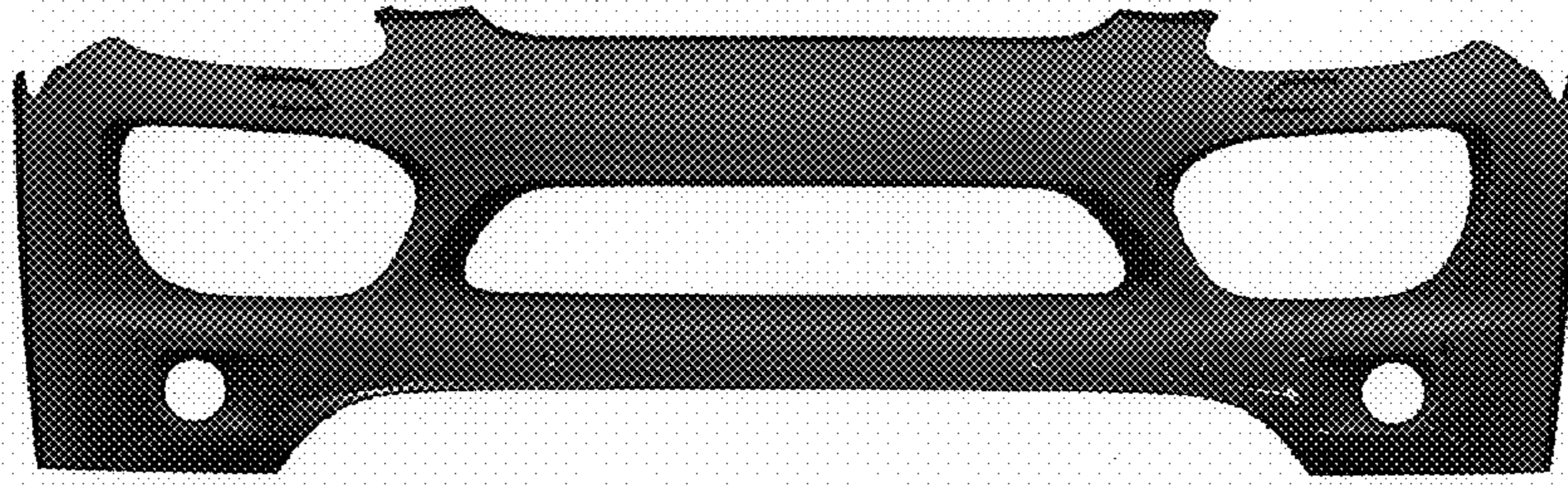


FIG. 5

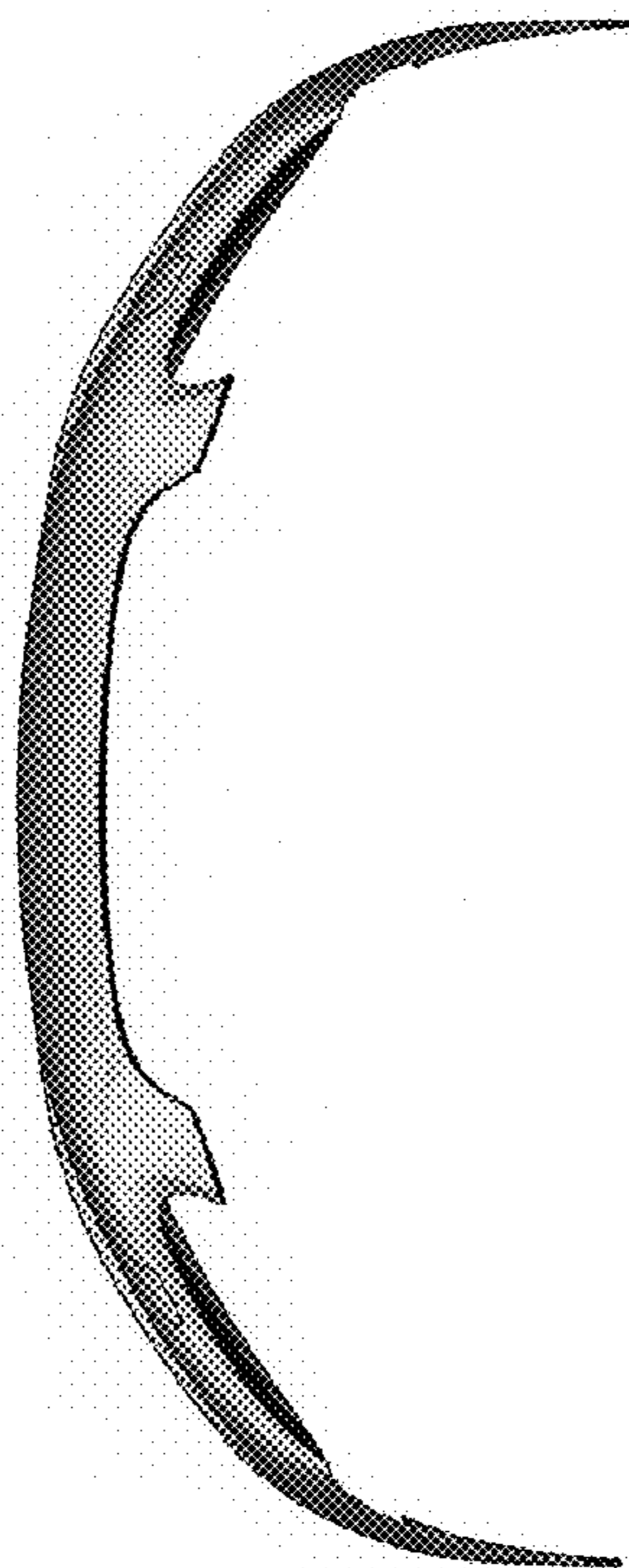


FIG. 6

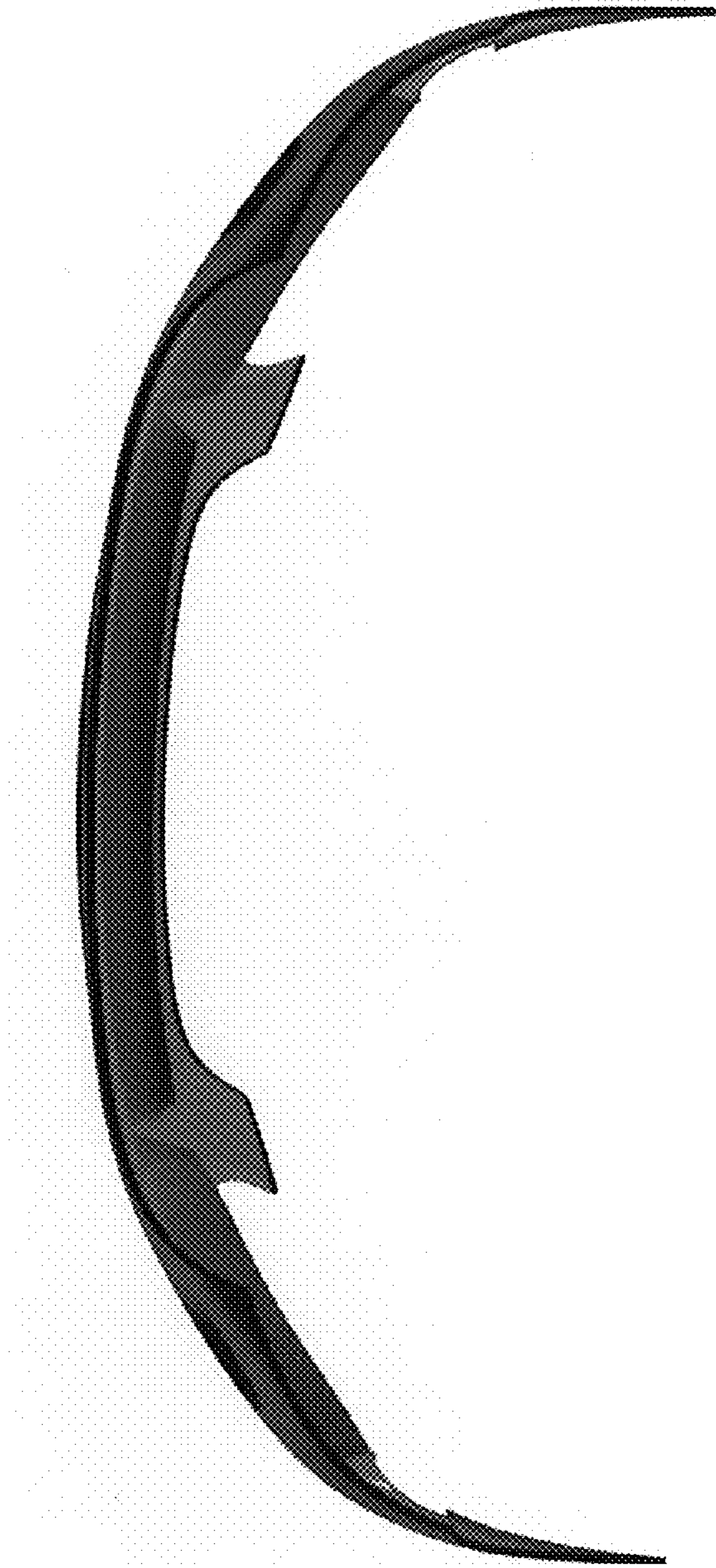


FIG. 7