



US00D615908S

(12) **United States Design Patent**  
**Ditterline**

(10) **Patent No.:** **US D615,908 S**

(45) **Date of Patent:** **\*\* May 18, 2010**

(54) **PAIR OF SPEAKER CONSOLES FOR  
MOTORCYCLE SADDLEBAGS**

(76) Inventor: **Andrew F. Ditterline**, 6640 Spoonwood  
La., Fort Worth, TX (US) 76137

(\*\*) Term: **14 Years**

(21) Appl. No.: **29/342,859**

(22) Filed: **Sep. 2, 2009**

(51) **LOC (9) Cl.** ..... **12-11**

(52) **U.S. Cl.** ..... **D12/114**

(58) **Field of Classification Search** ..... D12/110,  
D12/407, 409, 410, 114, 126; 224/400, 401,  
224/412-433, 42.11; 280/288.4; 180/90,  
180/219; D14/157; 312/7.1; 381/86; 296/37.1;  
455/345

See application file for complete search history.

(56) **References Cited**

U.S. PATENT DOCUMENTS

D200,144 S *	1/1965	Marchello	.....	D12/401
D249,262 S *	9/1978	Neece	.....	D14/265
D254,611 S *	4/1980	Linto	.....	D12/423
D281,871 S	12/1985	Heiman	.....	D12/114
4,600,208 A	7/1986	Morishima	.....	280/289
D304,033 S *	10/1989	Villanueva et al.	.....	D14/224
4,915,187 A *	4/1990	Nakashima et al.	.....	180/219
5,001,779 A *	3/1991	Eggert et al.	.....	455/346
5,025,883 A *	6/1991	Morinaka et al.	.....	180/219
D450,632 S *	11/2001	Morgan	.....	D12/114
D461,748 S *	8/2002	Morgan	.....	D12/114

(Continued)

OTHER PUBLICATIONS

Loud Lids, Nov. 2008. [Retrieved on Feb. 25, 2010]. Retrieved from  
the Internet <URL: [http://loudlids.com/\(Baggers magazine—Nov.  
2008 News & Press Release\)](http://loudlids.com/(Baggers%20magazine%20Nov.2008%20News%20&%20Press%20Release))>. 3 pages total.\*

*Primary Examiner*—Philip S Hyder  
*Assistant Examiner*—Linda G. Brooks

(74) *Attorney, Agent, or Firm*—Charles D. Gunter, Jr.

(57) **CLAIM**

The ornamental design for a speaker console for a motorcycle  
saddlebag, as shown and described.

**DESCRIPTION**

FIG. 1 is a perspective view of the left speaker console of the  
pair of speaker consoles for motorcycle saddlebags, shown in  
place on motorcycle saddlebags, with a portion of the motor-  
cycle being shown in phantom lines to illustrate the environ-  
ment of the invention;

FIG. 2 is a front end view of the left speaker console of the  
pair of speaker consoles for Motorcycle Saddlebags of FIG. 1;

FIG. 3 is a left side view of the left speaker console of the  
pair of speaker consoles for motorcycle saddlebags of the inven-  
tion;

FIG. 4 is a right side view of the left speaker console of the  
pair of speaker consoles for motorcycle saddlebags of the  
invention;

FIG. 5 is a rear end view of the left speaker console of the  
pair of speaker consoles for motorcycle saddlebags of FIG. 1;

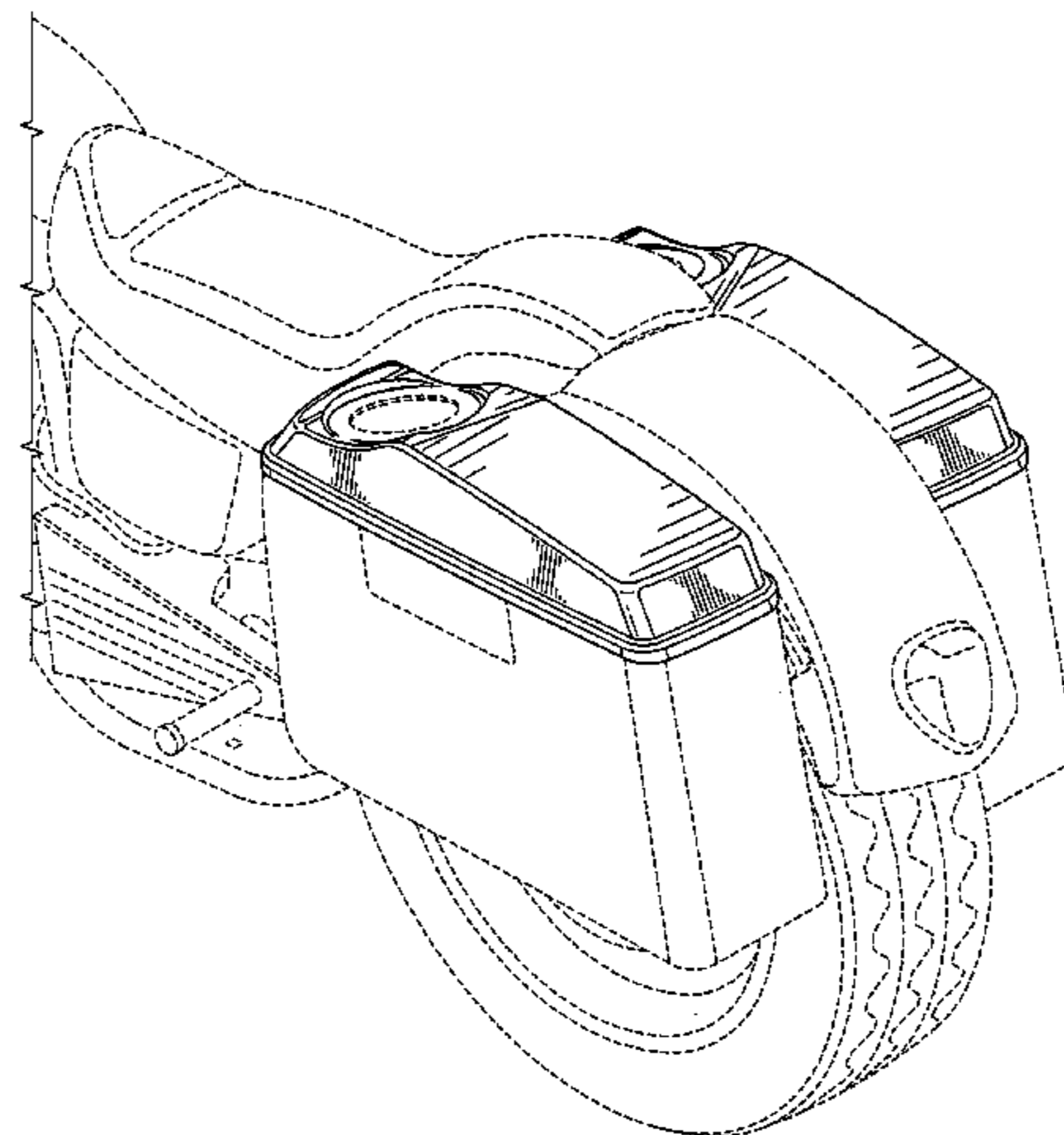
FIG. 6 is a top view of the left speaker console of the pair of  
speaker consoles for motorcycle saddlebags of the invention;  
and,

FIG. 7 is a bottom view of the left speaker console of the pair  
of speaker consoles for motorcycle saddlebags of the inven-  
tion.

The right speaker console of the pair of speaker consoles for  
motorcycle saddlebags is a mirror image of the left speaker  
console.

The broken lines immediately adjacent the circular speaker  
openings are boundaries and form no part of the claimed  
design.

**1 Claim, 5 Drawing Sheets**



# US D615,908 S

Page 2

---

U.S. PATENT DOCUMENTS					
6,647,121	B2 *	11/2003	Stanberry et al. ....	381/86	D603,760 S * 11/2009 Gregory ..... D12/114
6,783,040	B2 *	8/2004	Batchelor .....	224/413	2007/0291957 A1 12/2007 Khan ..... 381/86
D519,887	S	5/2006	Files .....	D12/114	* cited by examiner

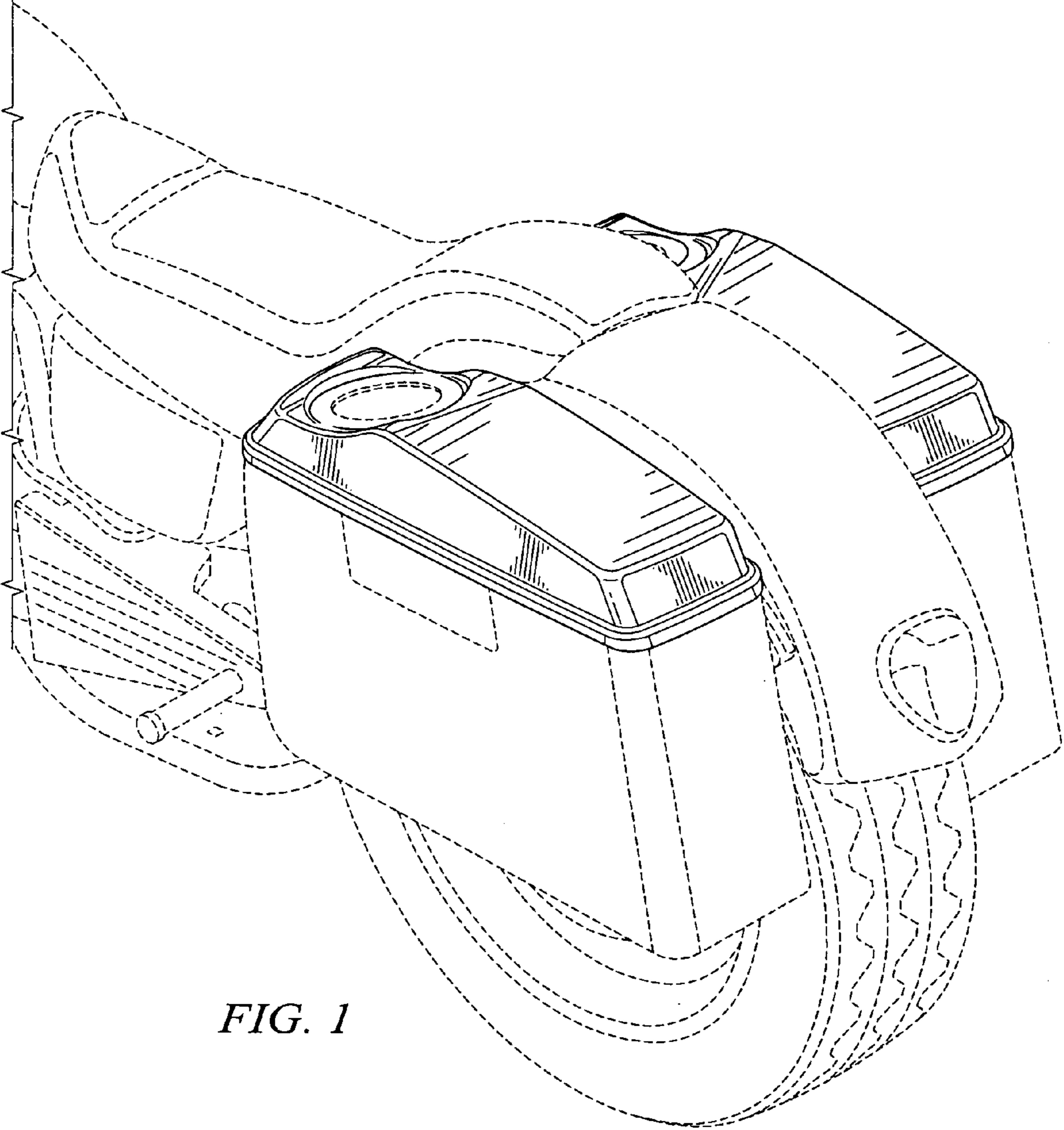
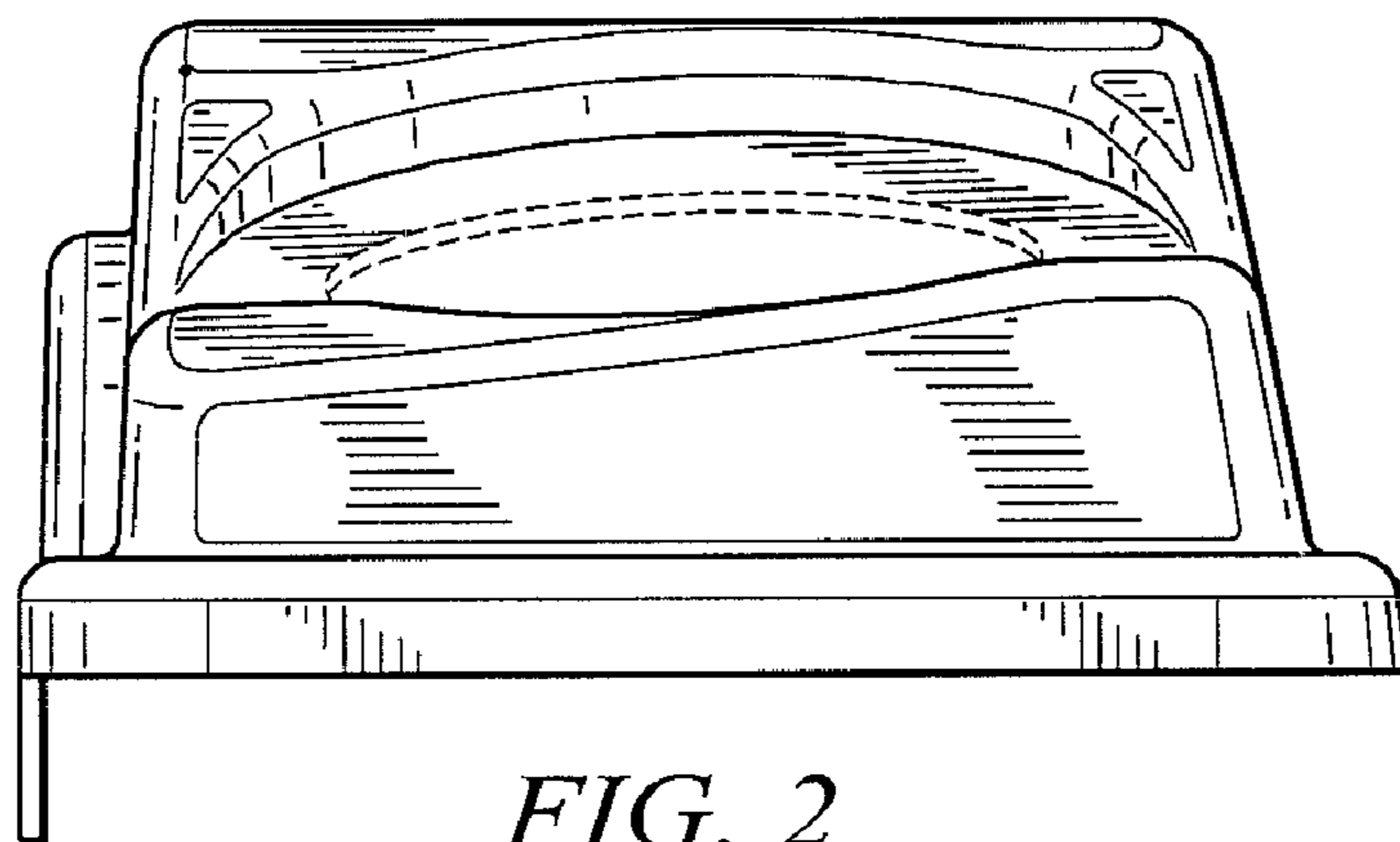
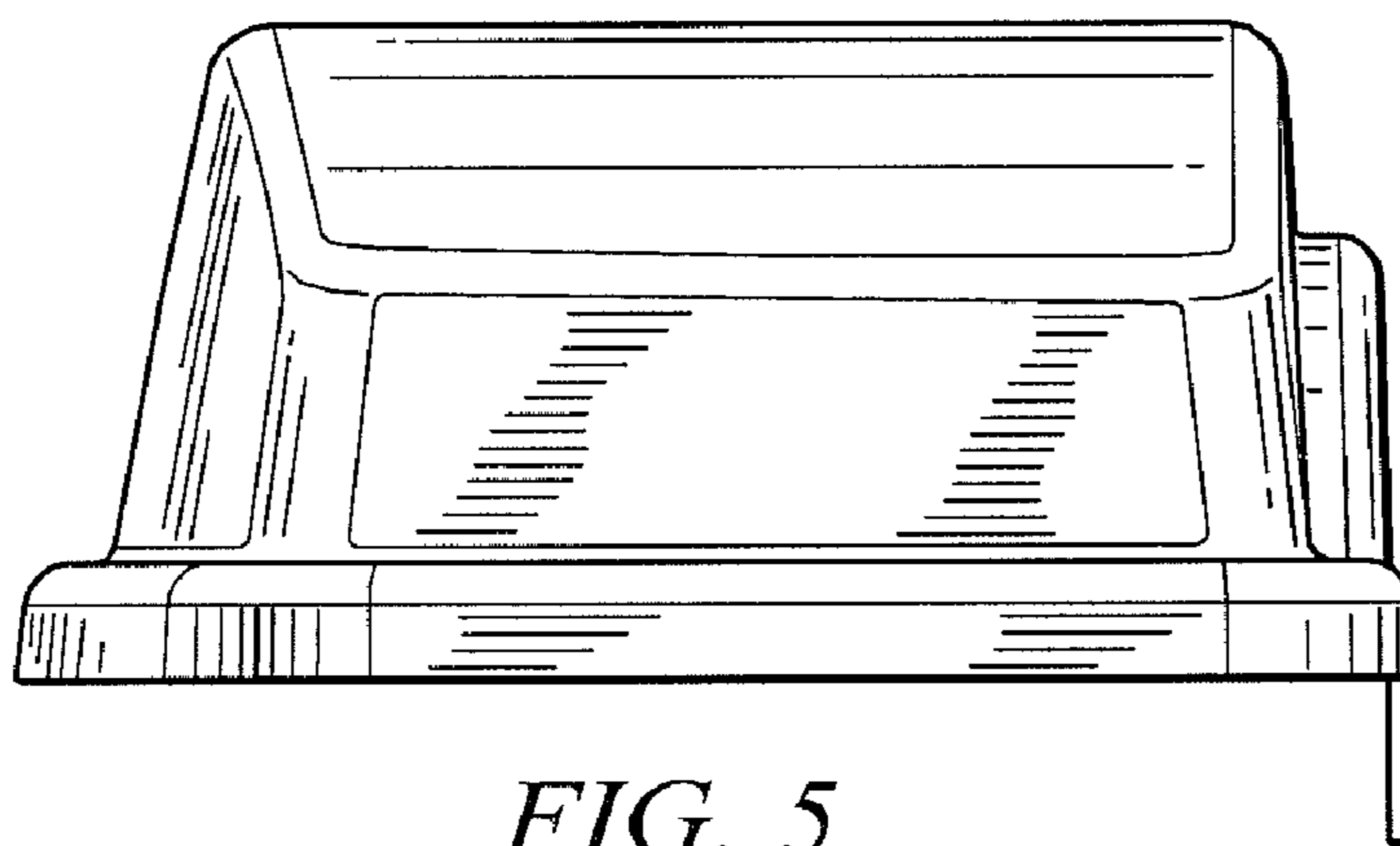


FIG. 1



*FIG. 2*



*FIG. 5*

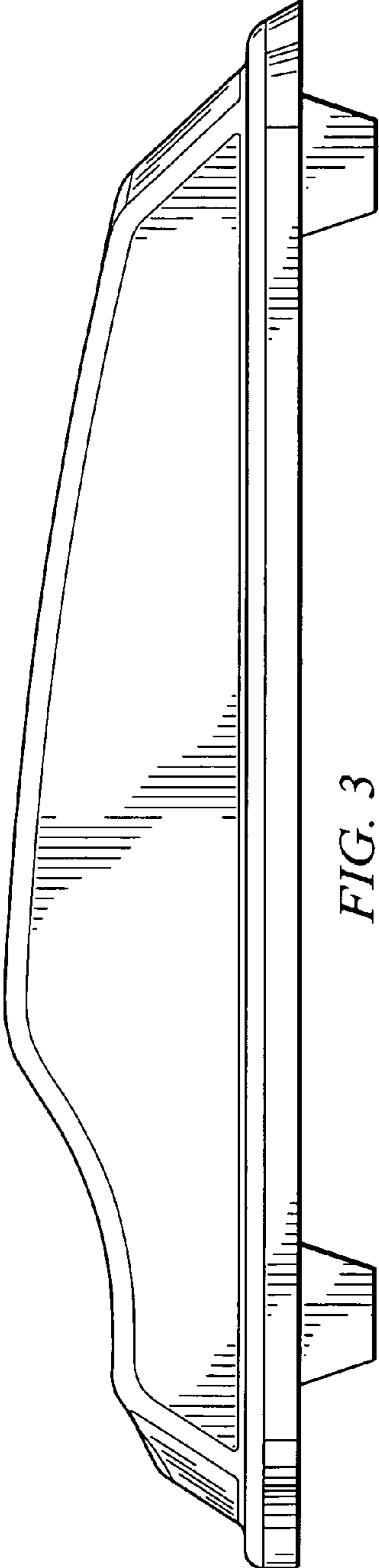


FIG. 3

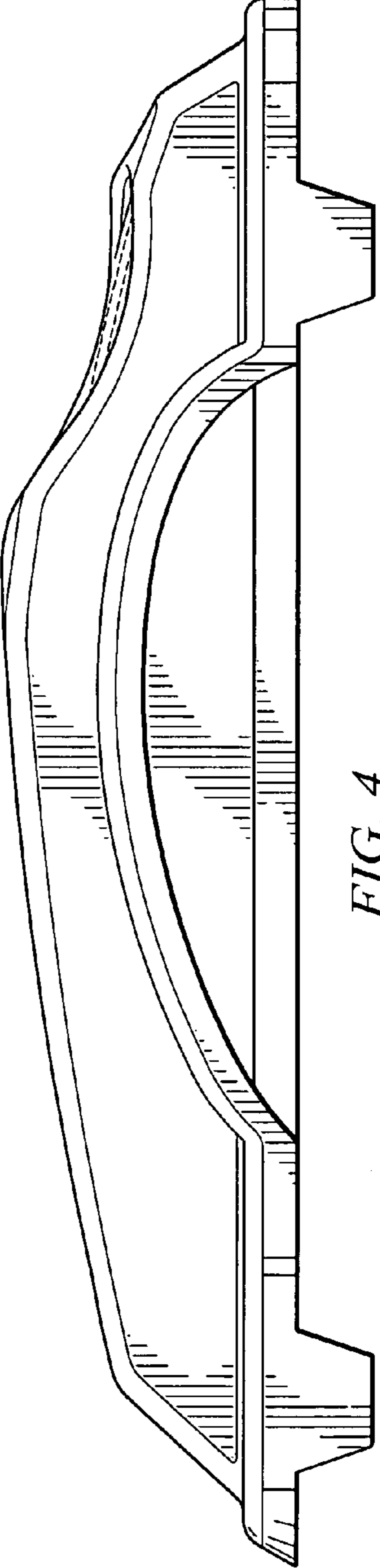


FIG. 4

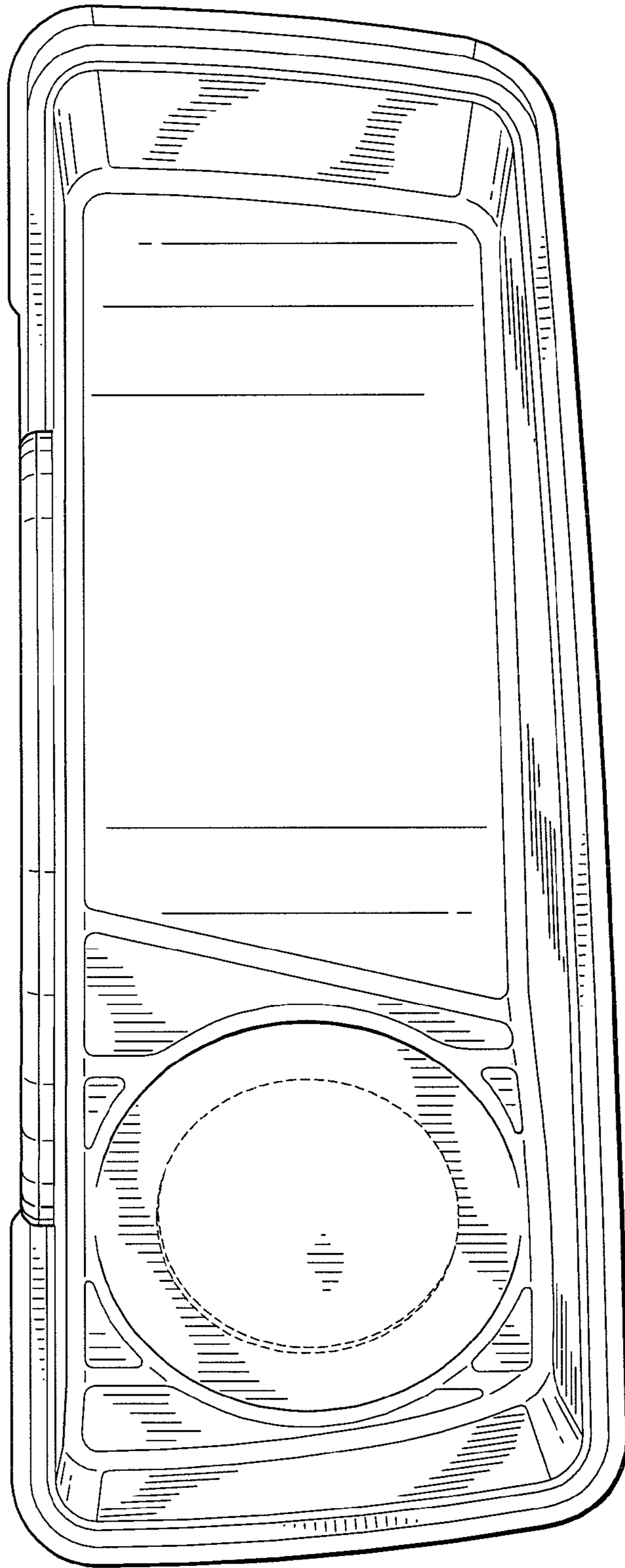


FIG. 6

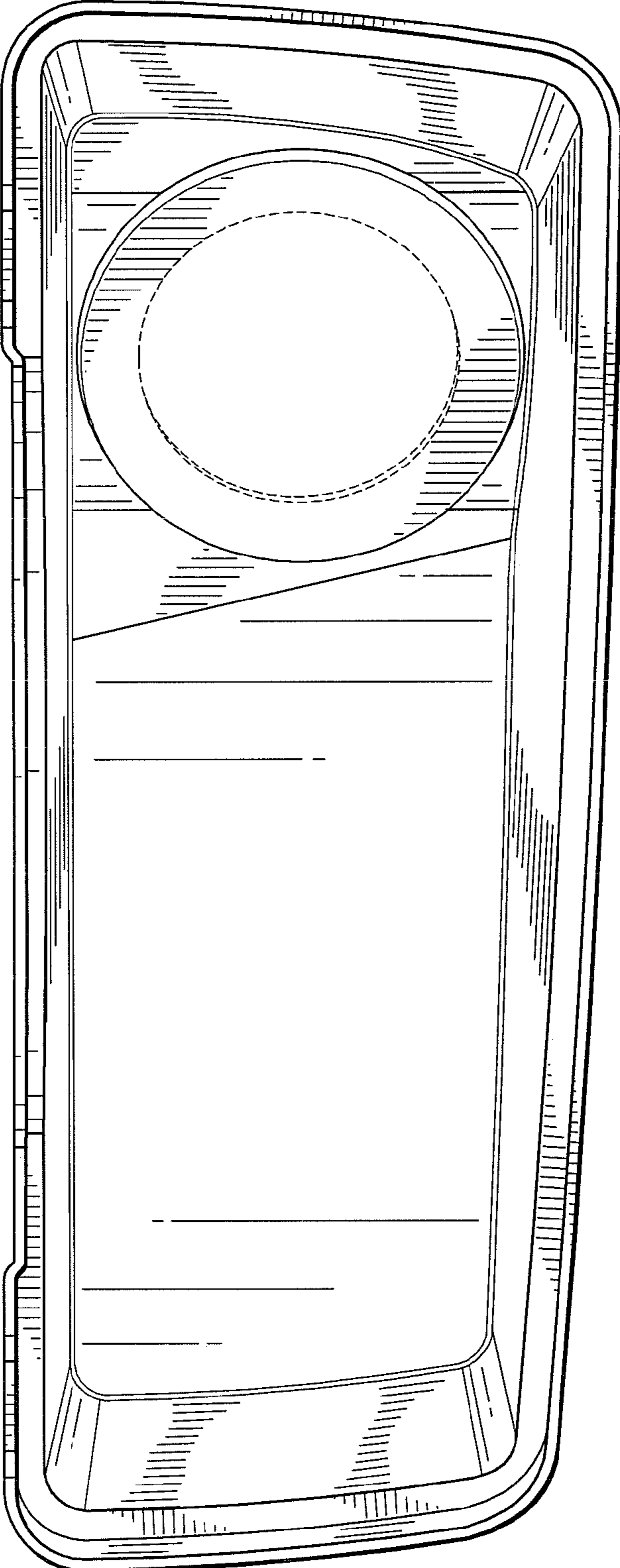


FIG. 7