



US00D615907S

(12) **United States Design Patent**  
**Morrow**

(10) **Patent No.:** **US D615,907 S**  
(45) **Date of Patent:** **\*\* May 18, 2010**

(54) **BICYCLE FRAME**

(76) Inventor: **David D. Morrow**, 1344 Garnet Ave.,  
San Diego, CA (US) 92109

(\*\*) Term: **14 Years**

(21) Appl. No.: **29/333,639**

(22) Filed: **Mar. 12, 2009**

(51) **LOC (9) Cl.** ..... **12-11**

(52) **U.S. Cl.** ..... **D12/111**

(58) **Field of Classification Search** ..... D12/111,  
D12/117; 280/274-278, 281.1, 288.1-288.3,  
280/283-288

See application file for complete search history.

(56) **References Cited**

**U.S. PATENT DOCUMENTS**

- D321,155 S \* 10/1991 Tan ..... D12/111
- D348,859 S \* 7/1994 Takagaki ..... D12/111
- D390,505 S \* 2/1998 Shiau ..... D12/111
- D398,267 S \* 9/1998 Yu et al. .... D12/111

D415,071 S \* 10/1999 Lai ..... D12/111

\* cited by examiner

*Primary Examiner*—Philip S Hyder

*Assistant Examiner*—Linda G. Brooks

(74) *Attorney, Agent, or Firm*—Frank G. Morkunas

(57) **CLAIM**

I claim the ornamental design for a bicycle frame, as shown and described.

**DESCRIPTION**

FIG. 1 is a left side elevation view of a bicycle frame showing the new design with the right side elevation view being a mirror-image thereof.

FIG. 2 is detailed close-up view of the spring associated with the bicycle frame.

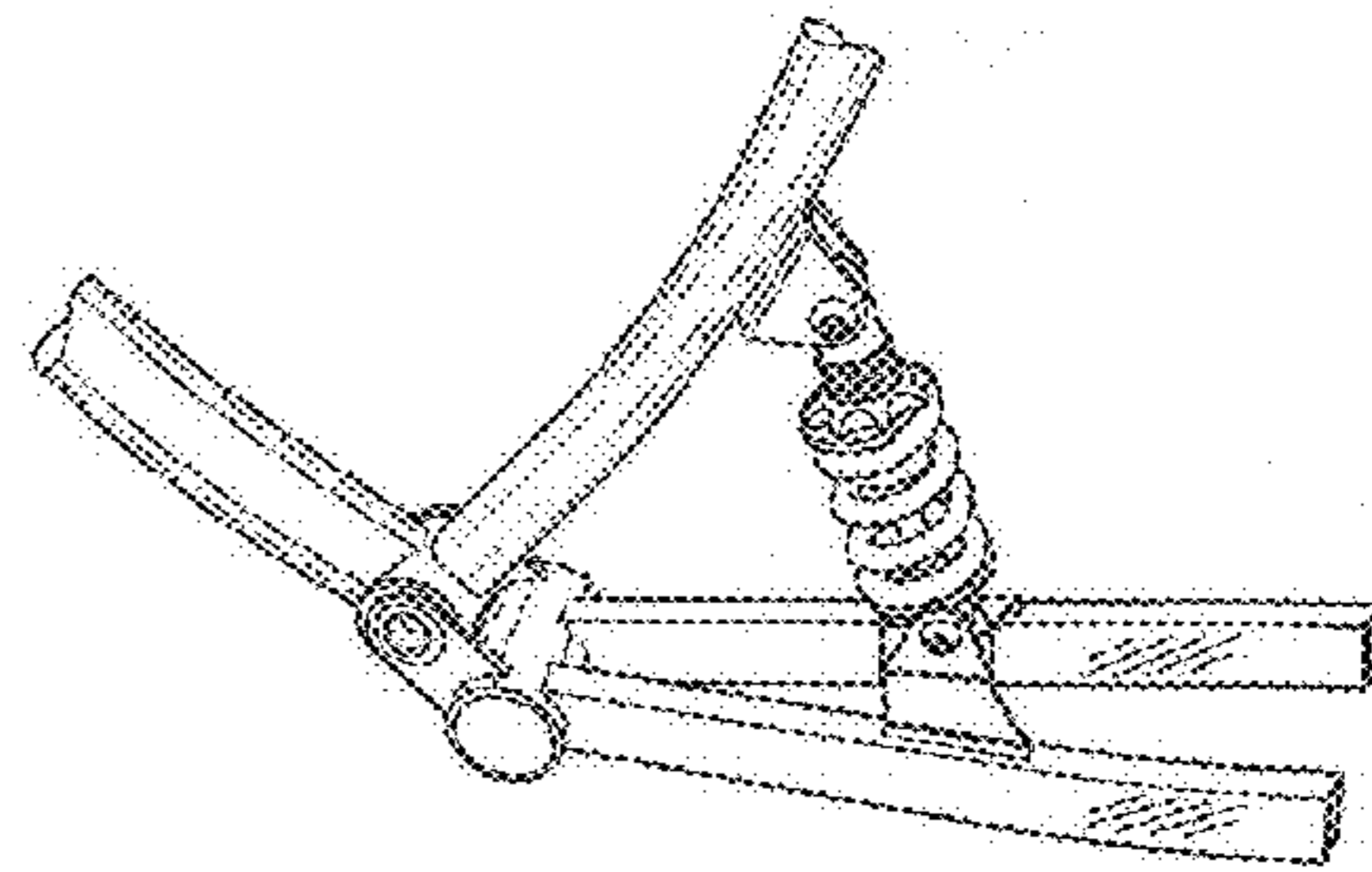
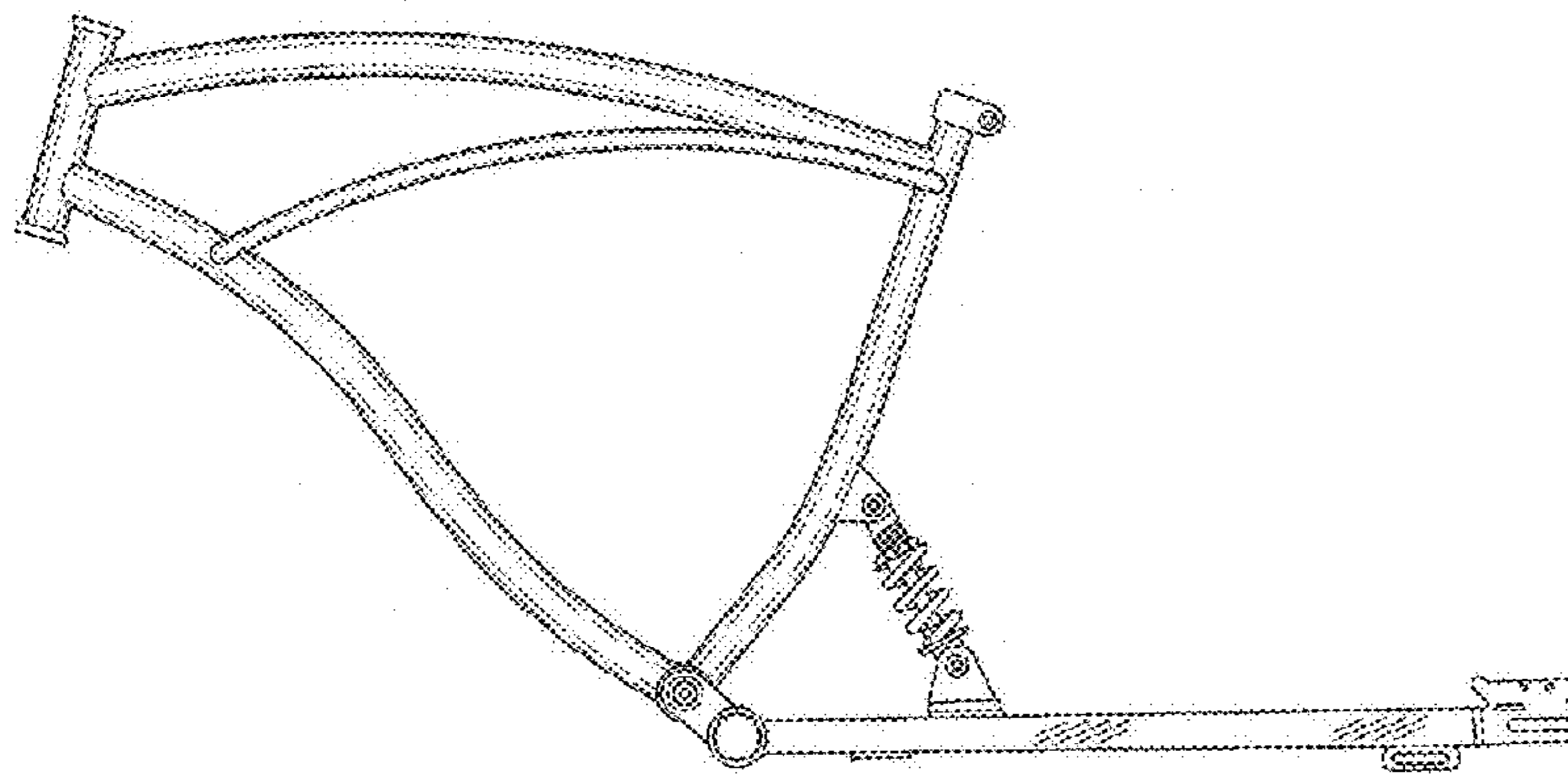
FIG. 3 is top plan view of the bicycle frame.

FIG. 4 is a bottom plan view of the bicycle frame.

FIG. 5 is a front elevation view of the bicycle frame; and,

FIG. 6 is rear elevation view of the bicycle frame.

**1 Claim, 3 Drawing Sheets**



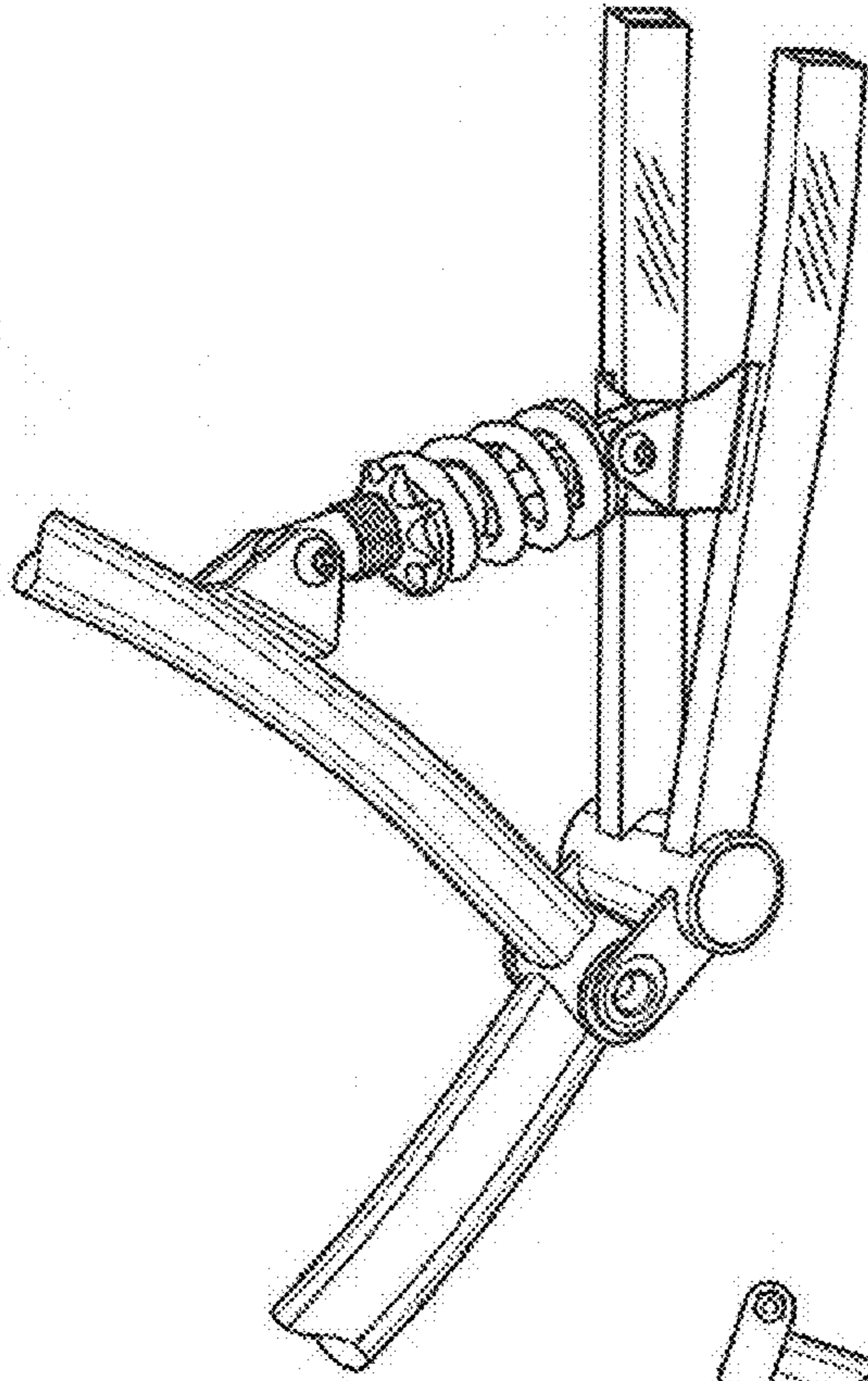


Fig. 2

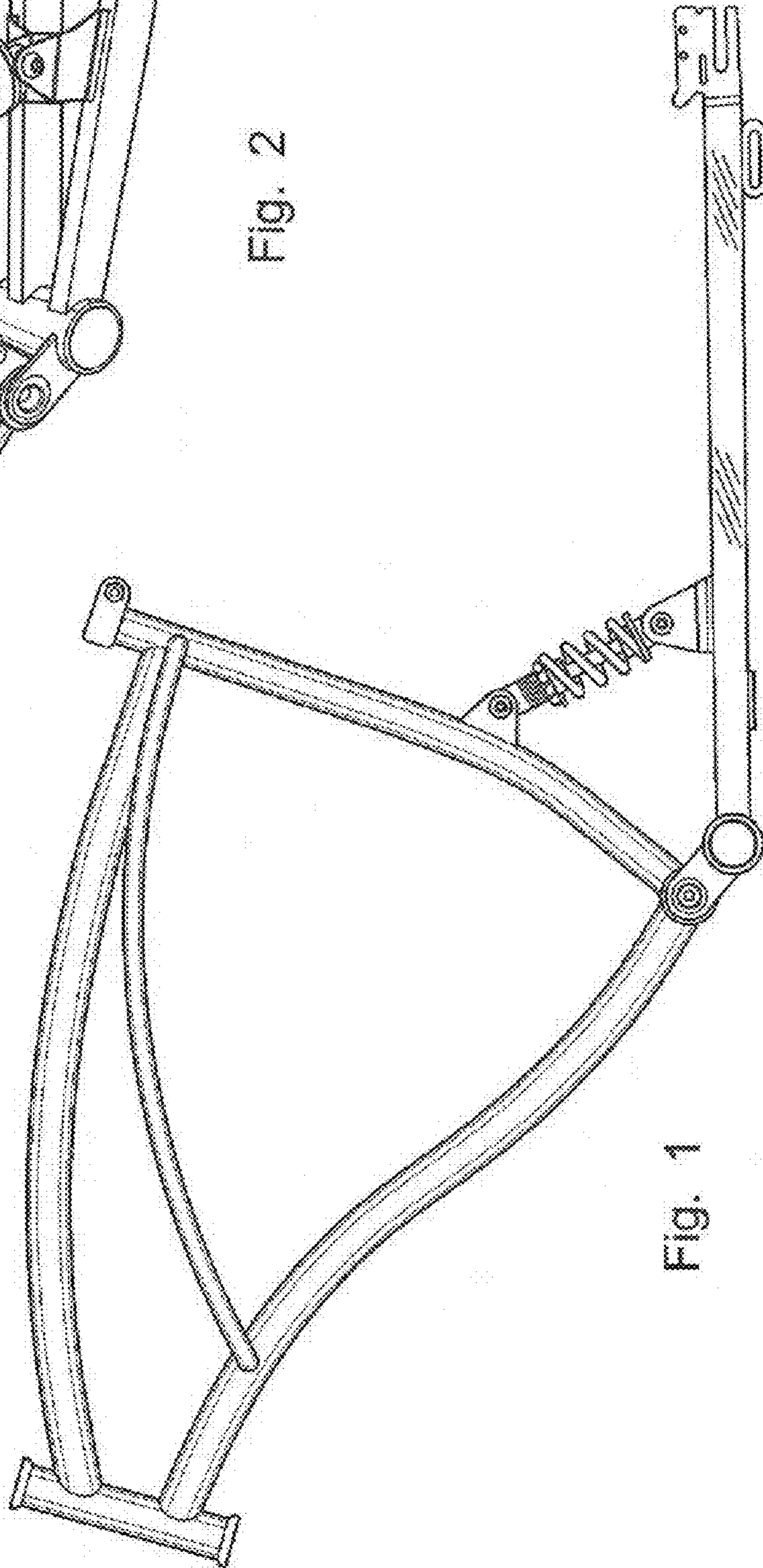


Fig. 1

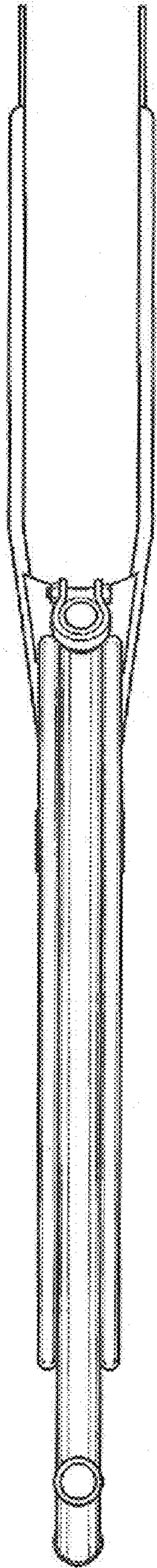


Fig. 3

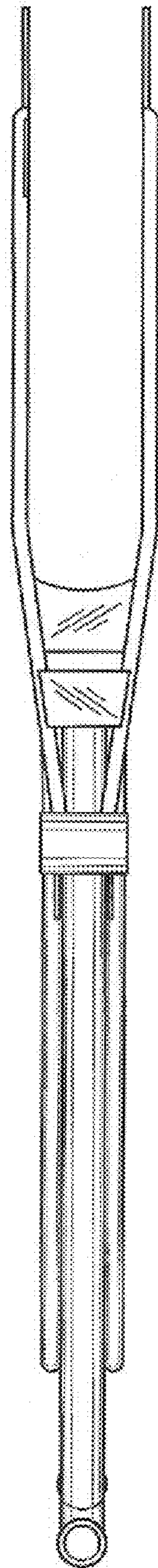


Fig. 4

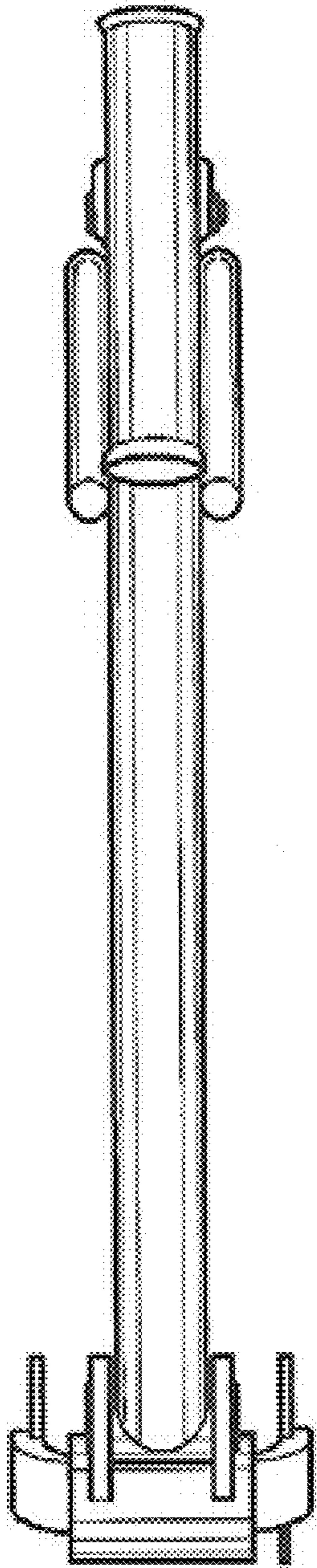


Fig. 5

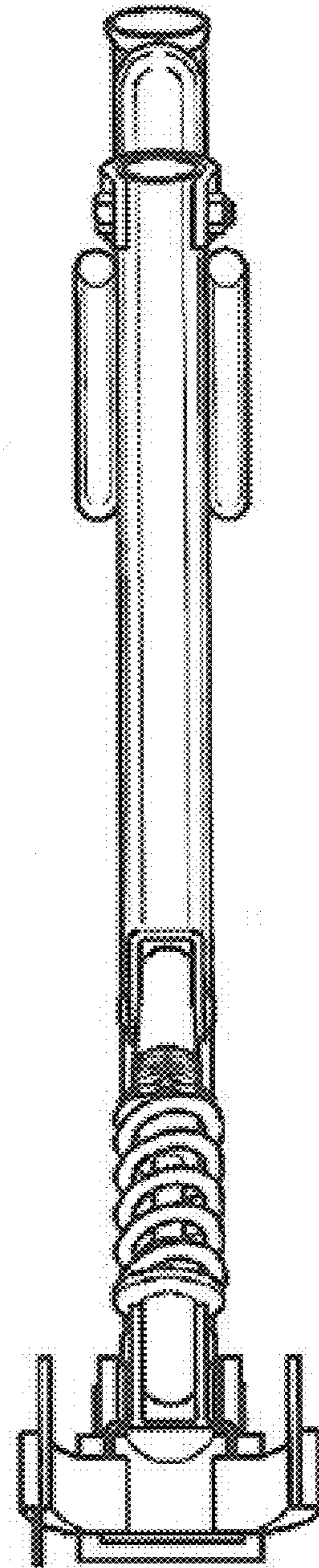


Fig. 6