



US00D615905S

(12) **United States Design Patent**
Arnell

(10) **Patent No.:** **US D615,905 S**

(45) **Date of Patent:** **** May 18, 2010**

(54) **AUTOMOBILE BODY**

(75) Inventor: **Peter Arnell**, Katonan, NY (US)

(73) Assignee: **Chrysler Group LLC**, Auburn Hills, MI (US)

(**) Term: **14 Years**

(21) Appl. No.: **29/324,853**

(22) Filed: **Sep. 22, 2008**

(51) **LOC (9) Cl.** **12-08**

(52) **U.S. Cl.** **D12/91**

(58) **Field of Classification Search** D12/86-88,
D12/92, 91, 82; D21/424, 433, 548, 549,
D21/550; 296/181.1, 181.5, 185
See application file for complete search history.

(56) **References Cited**

U.S. PATENT DOCUMENTS

D172,464 S *	6/1954	Brodton	D12/91
D179,549 S *	1/1957	Rivolta	D12/90
D350,503 S *	9/1994	Yang	D12/90
D385,220 S *	10/1997	Warkuss et al.	D12/90
D525,910 S *	8/2006	Sugiura et al.	D12/91
D551,594 S *	9/2007	Tsuchiya	D12/91
D563,277 S *	3/2008	Thomas et al.	D12/91
D592,103 S *	5/2009	Lo	D12/91

D597,443 S * 8/2009 Vermeersch et al. D12/91
D597,444 S * 8/2009 Vermeersch et al. D12/91

* cited by examiner

Primary Examiner—Robert M Spear

Assistant Examiner—Cynthia Underwood

(74) *Attorney, Agent, or Firm*—Ralph E. Smith

(57) **CLAIM**

The ornamental design for an automobile body, as shown and described.

DESCRIPTION

FIG. 1 is a front perspective view of an automobile body showing our new design;

FIG. 2 is a rear perspective view thereof;

FIG. 3 is a front view thereof;

FIG. 4 is a rear view thereof;

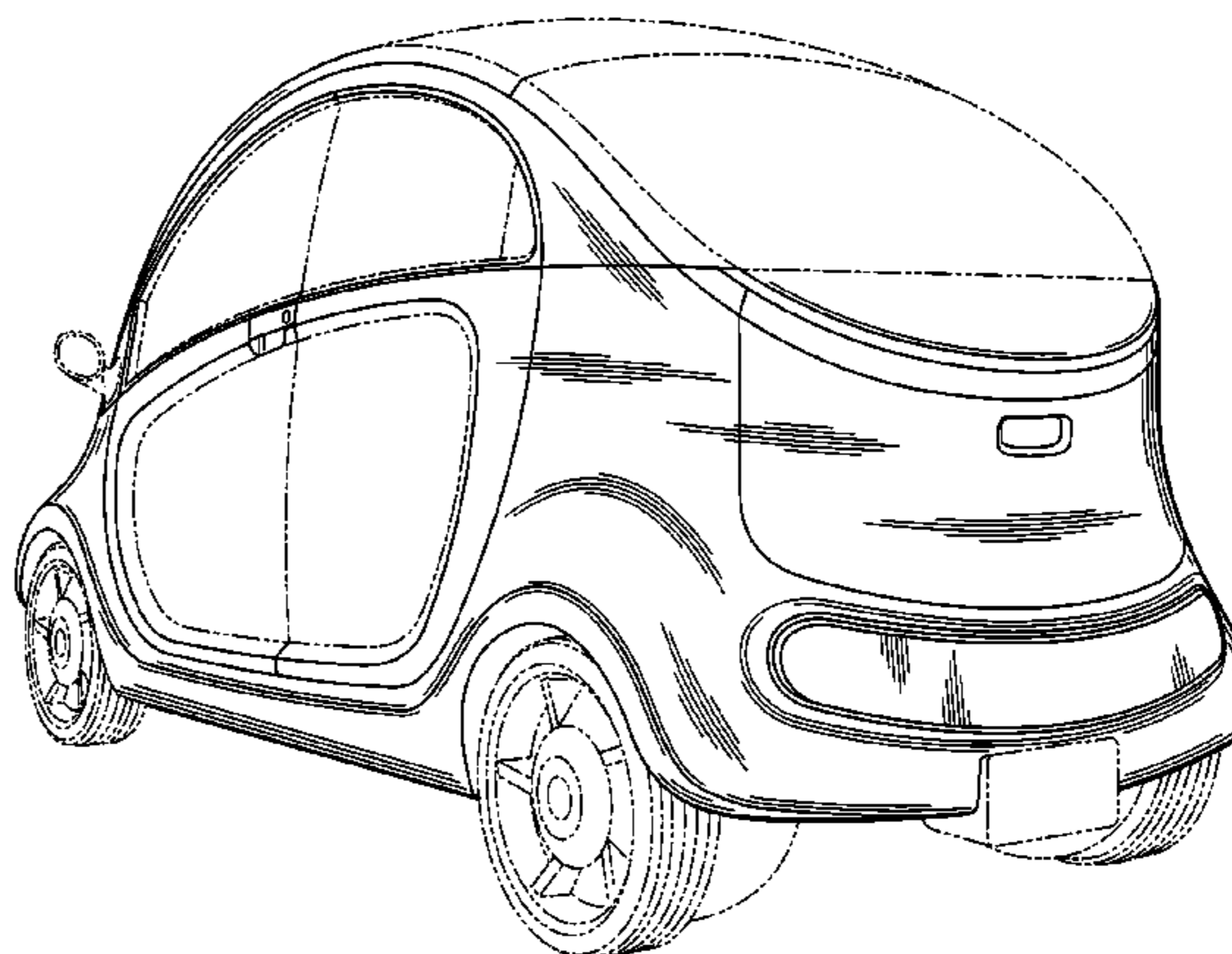
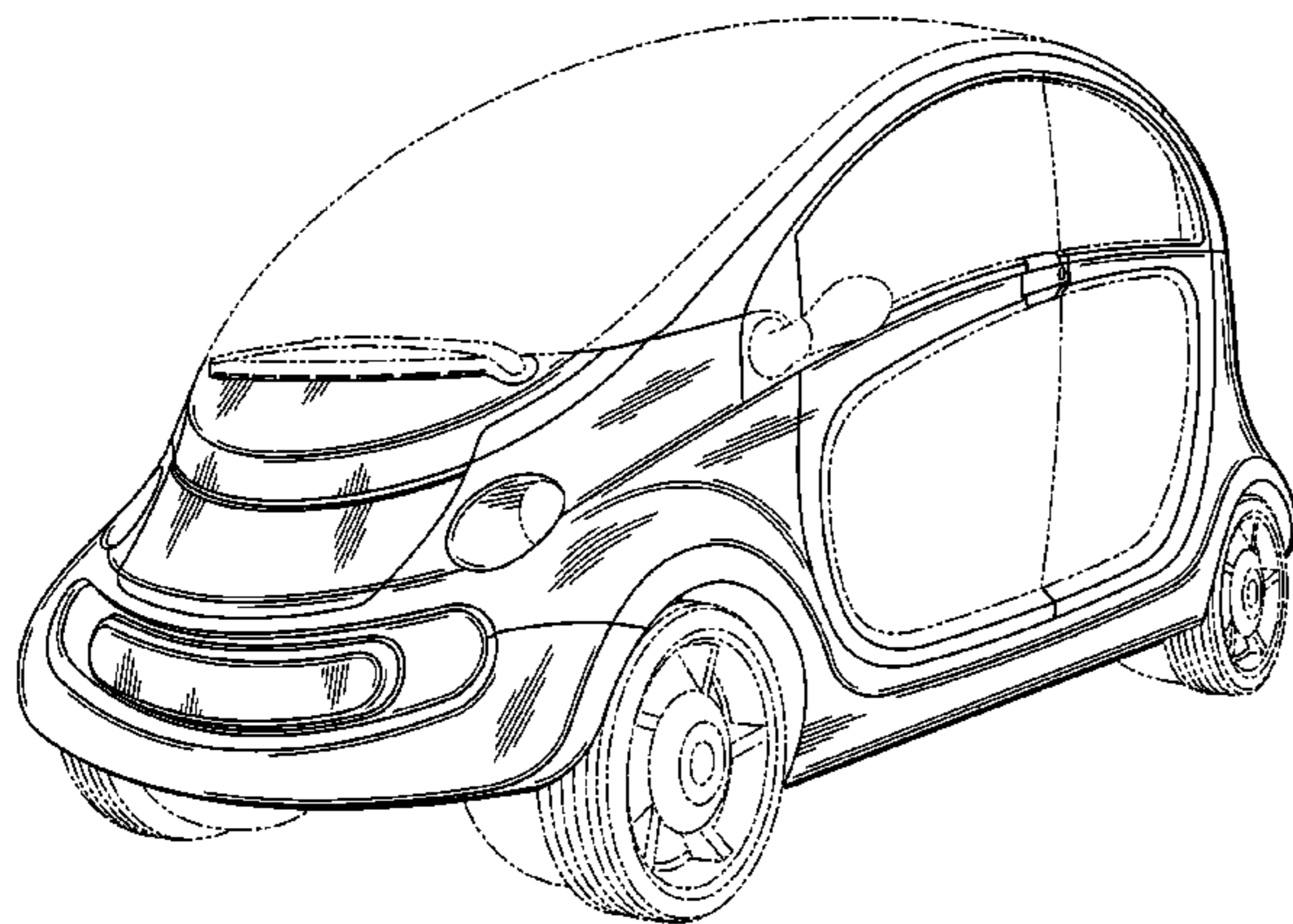
FIG. 5 is a side view thereof;

FIG. 6 is a top view thereof; and,

FIG. 7 is a bottom view thereof.

The broken lines immediately adjacent to surfaces that include surface shade lines represent boundaries of the claim; all other broken lines represent environmental subject matter. The broken lines form no part of the claim.

1 Claim, 6 Drawing Sheets



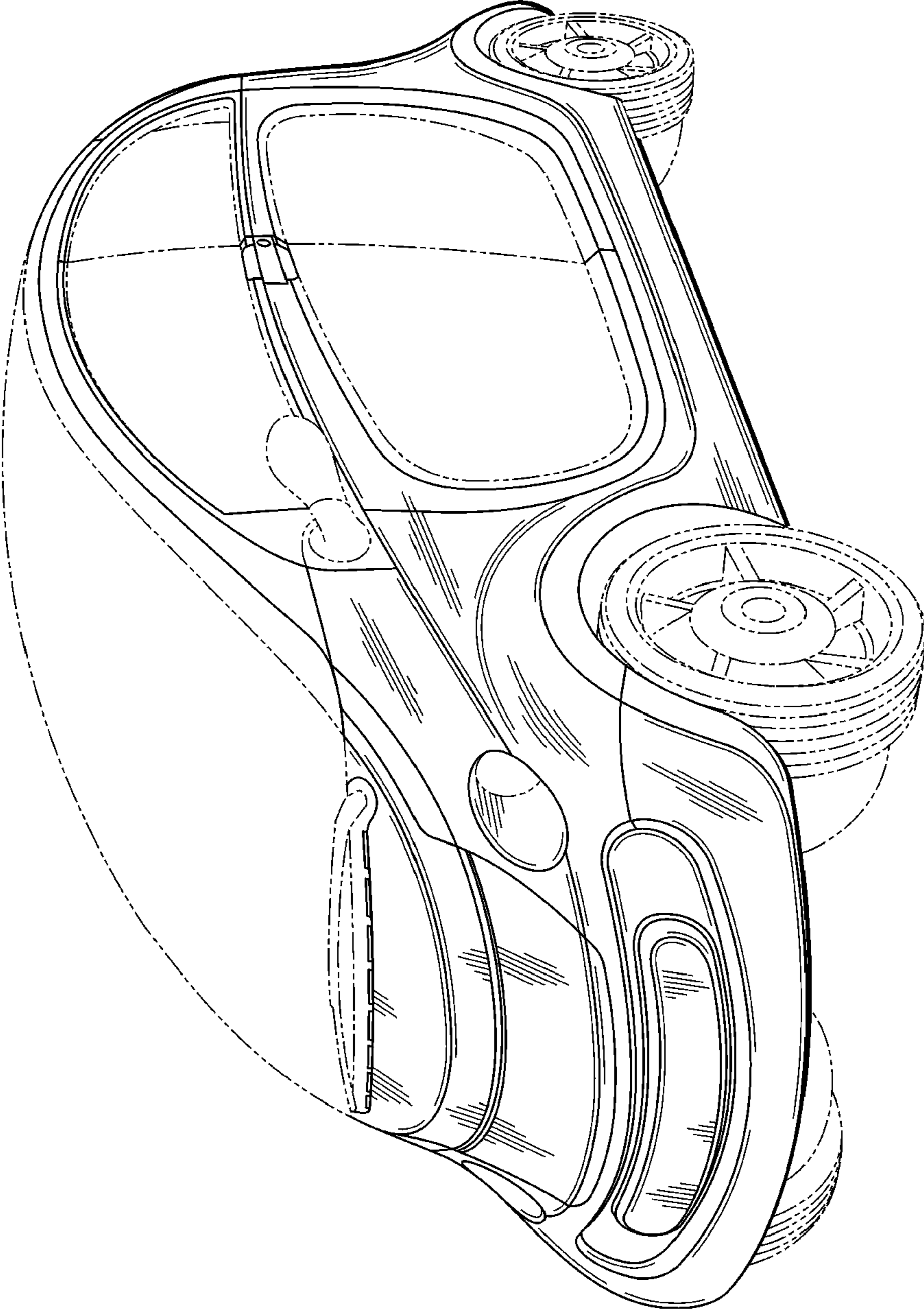


Fig. 1

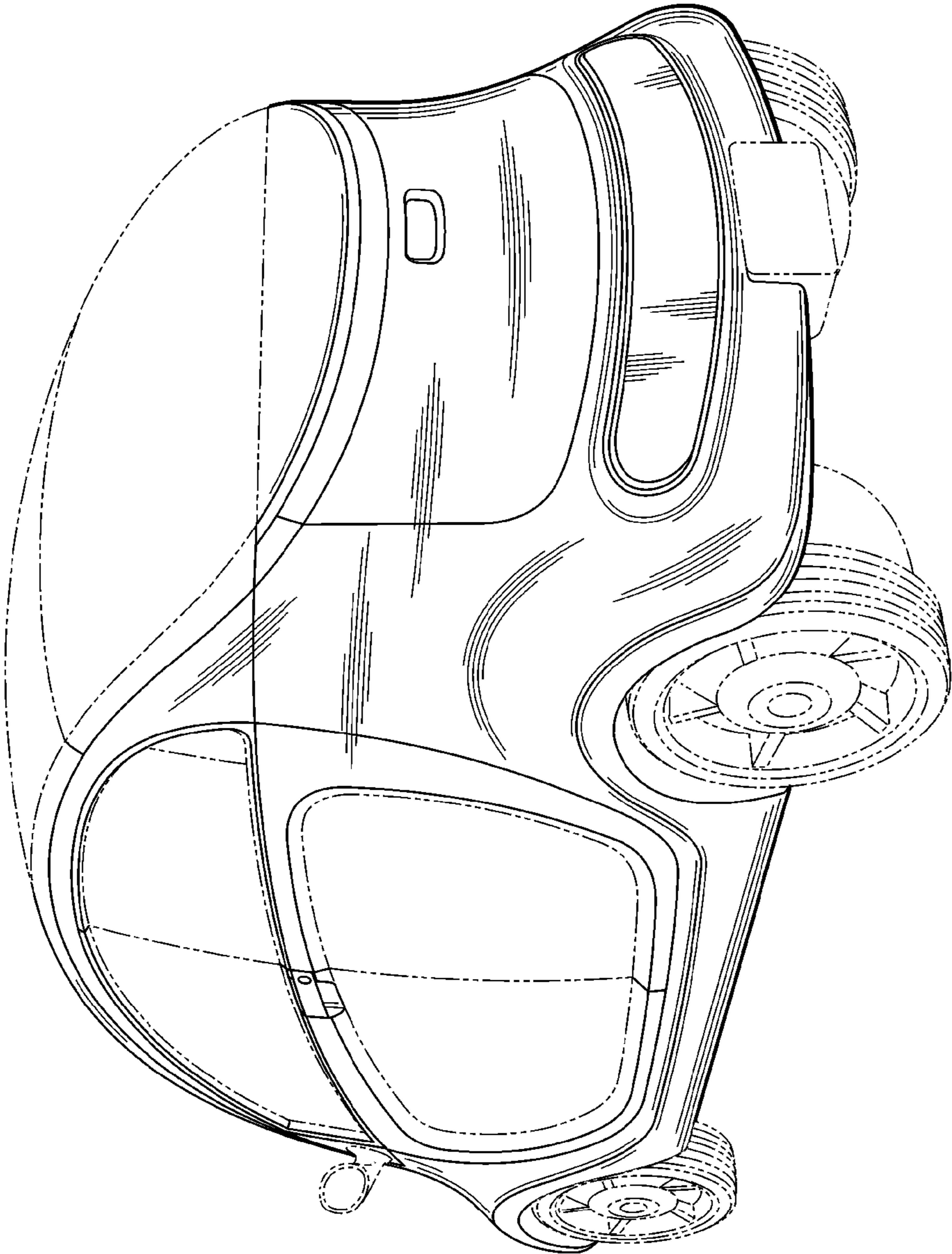


Fig. 2

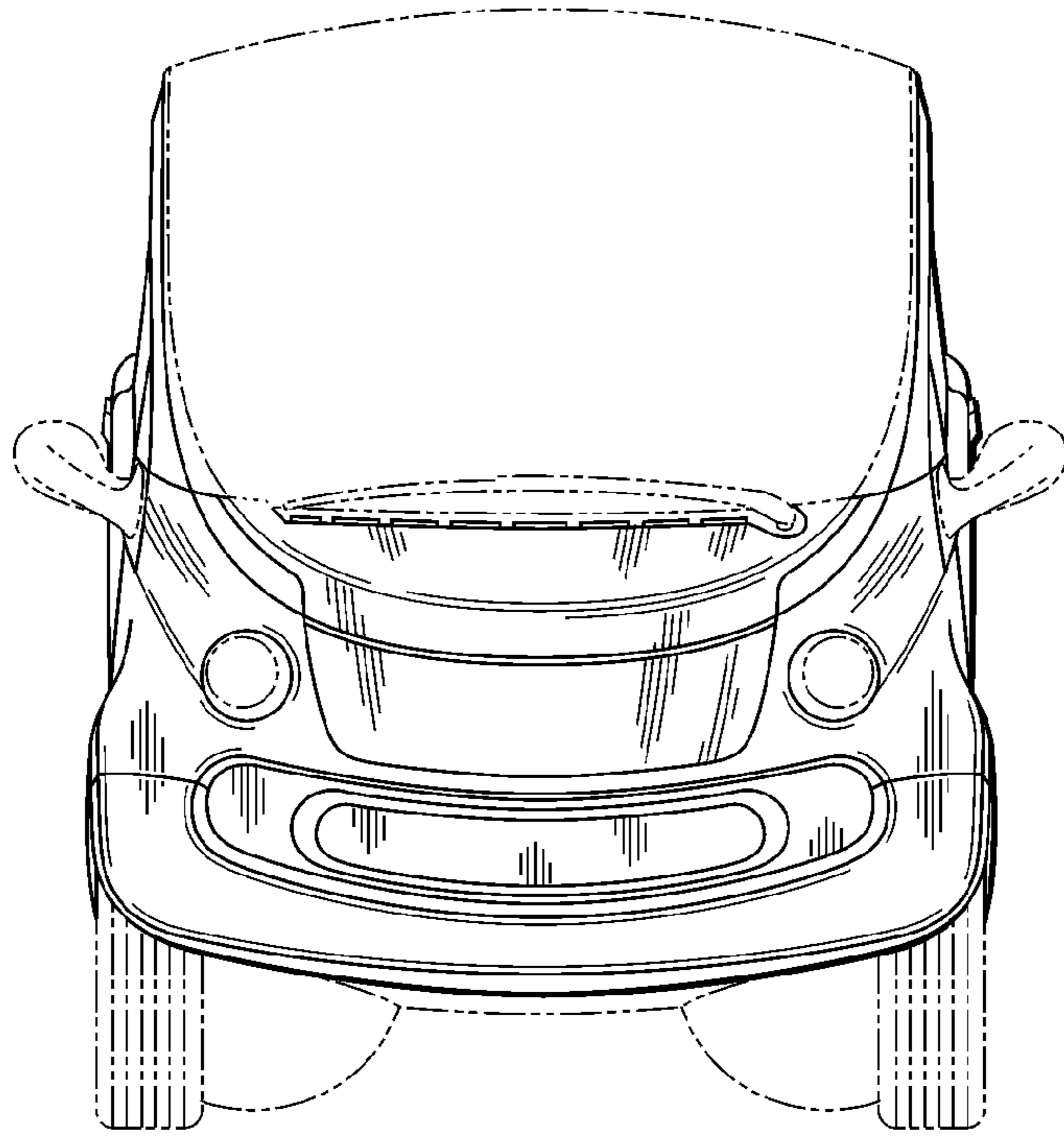


Fig. 3

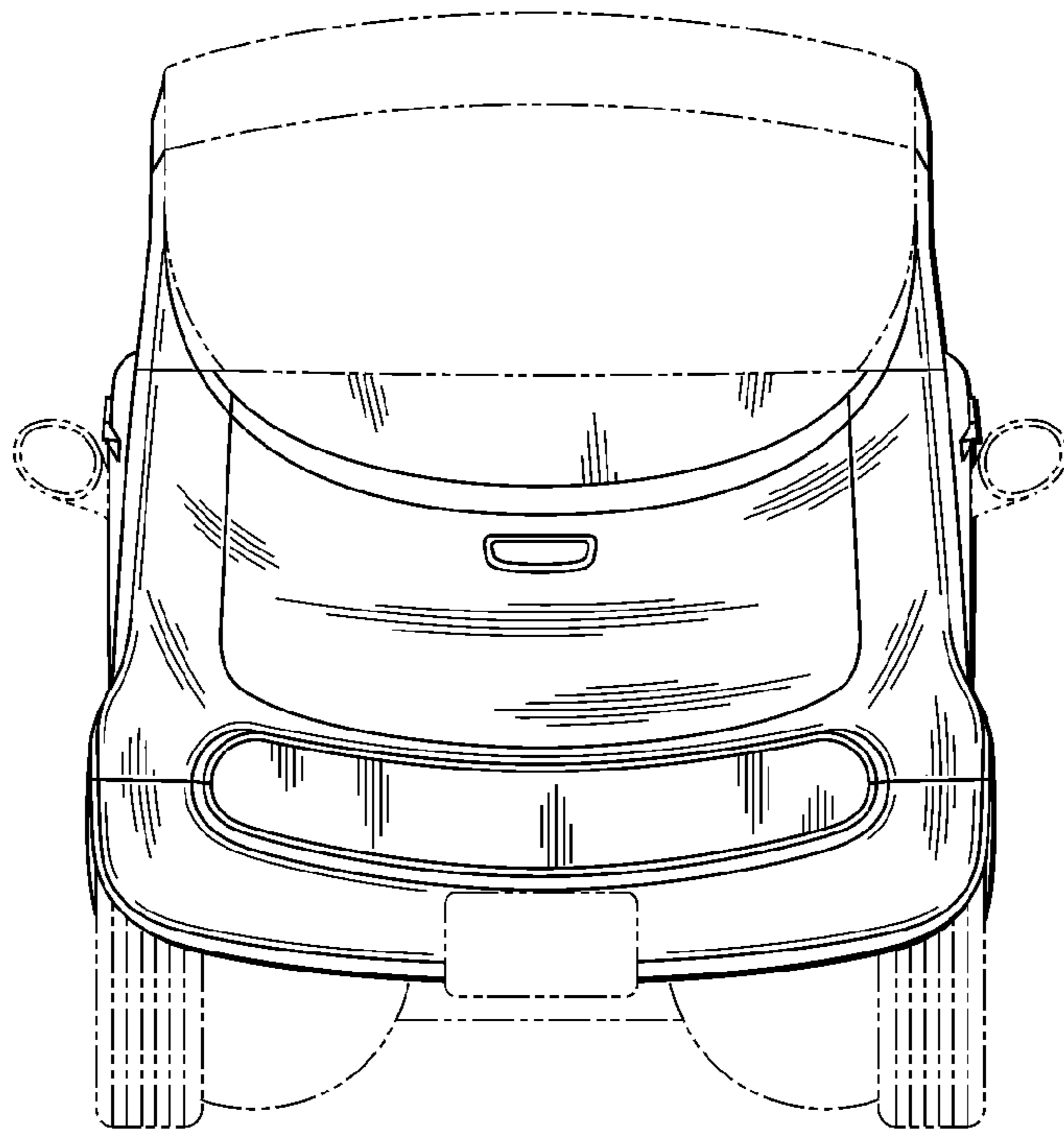


Fig. 4

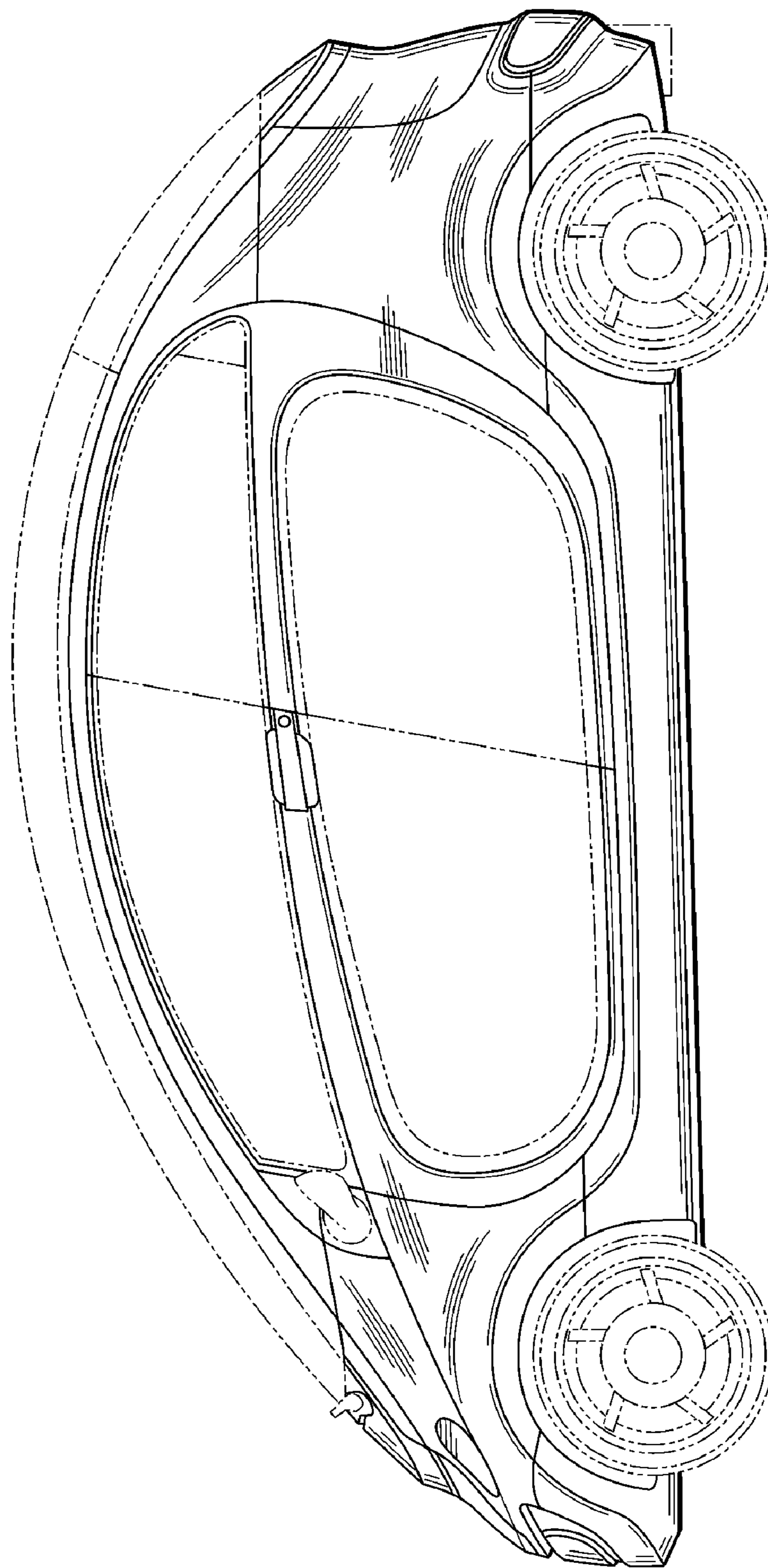


Fig. 5

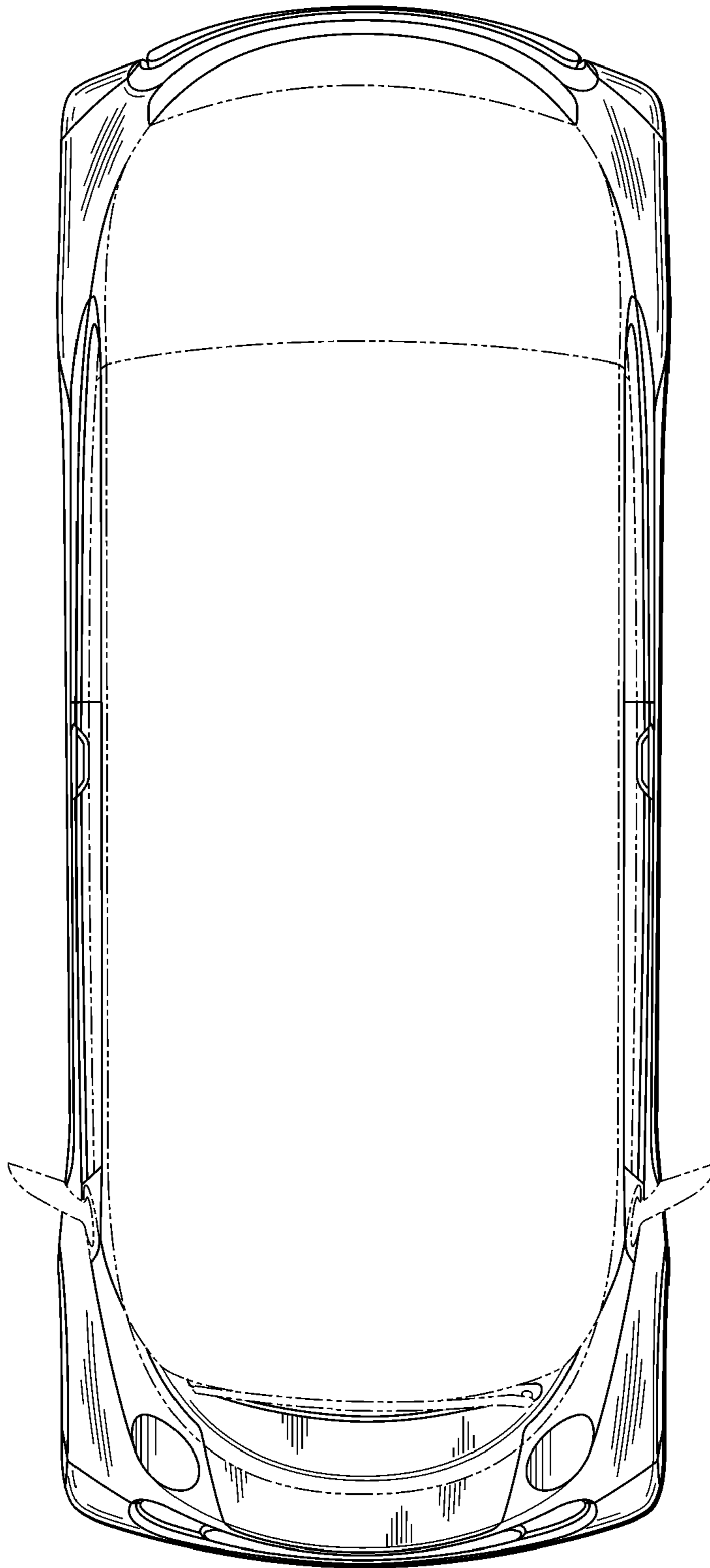


Fig. 6

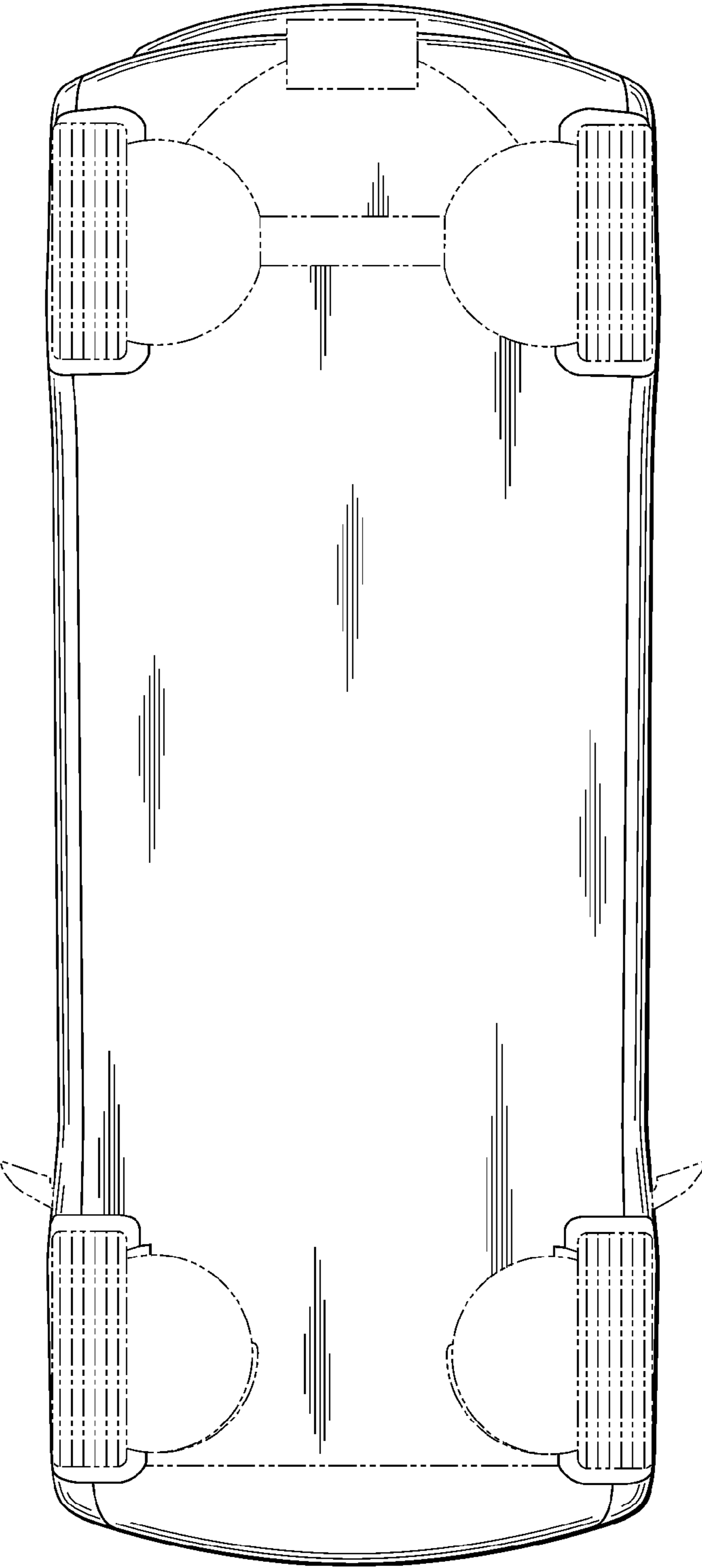


Fig. 7