



US00D615904S

(12) **United States Design Patent**
Pontaoe

(10) **Patent No.:** **US D615,904 S**

(45) **Date of Patent:** **** May 18, 2010**

(54) **BUCKLE**

D502,671 S * 3/2005 Yoshiguchi D11/216

(75) Inventor: **John S. Pontaoe**, Chicago, IL (US)

* cited by examiner

(73) Assignee: **Illinois Tool Works Inc.**, Glenview, IL (US)

Primary Examiner—Ralf Seifert

(74) *Attorney, Agent, or Firm*—Mark W. Croll; Paul F. Donovan

(**) Term: **14 Years**

(57) **CLAIM**

(21) Appl. No.: **29/339,741**

The ornamental design for a buckle, as shown and described.

(22) Filed: **Jul. 7, 2009**

DESCRIPTION

(51) **LOC (9) Cl.** **02-07**

FIG. 1 is a perspective view of a buckle showing the new design;

(52) **U.S. Cl.** **D11/216**

FIG. 2 is a top view thereof;

(58) **Field of Classification Search** D11/1-2,
D11/200-201, 203-206, 210, 212, 214-219,
D11/222, 224, 226; 24/163 R, 169-171,
24/173, 177-179, 191, 194-195, 197, 200

FIG. 3 is a side view of one side thereof, the opposite side being the same as this one side;

See application file for complete search history.

FIG. 4 is an end view thereof; and,

(56) **References Cited**

FIG. 5 is an opposite end view thereof.

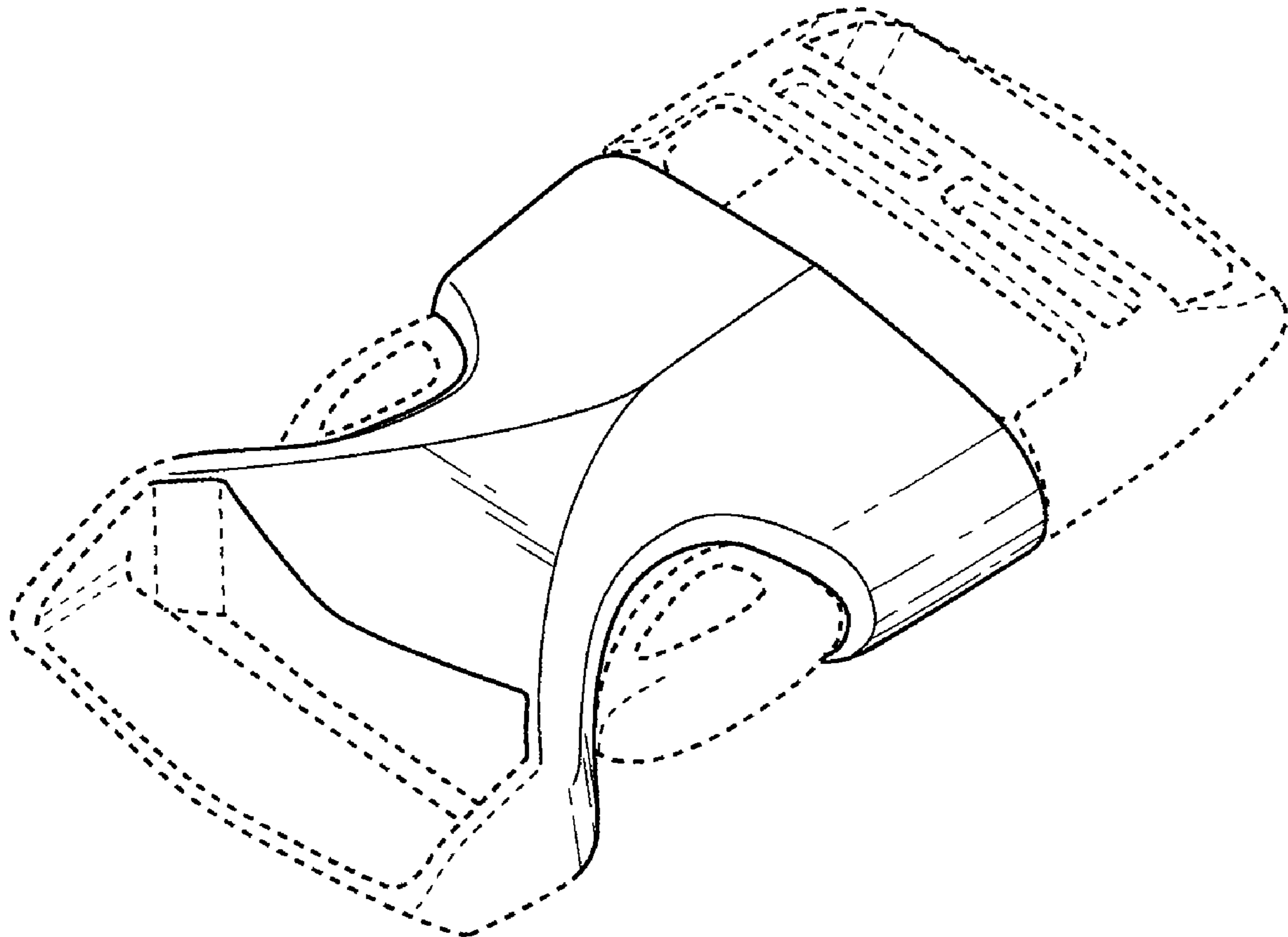
U.S. PATENT DOCUMENTS

The broken line portions of the disclosure are for illustrative purposes only and form no part of the claimed design.

D495,971 S * 9/2004 Uehara et al. D11/216

D496,304 S * 9/2004 Uehara et al. D11/216

1 Claim, 3 Drawing Sheets



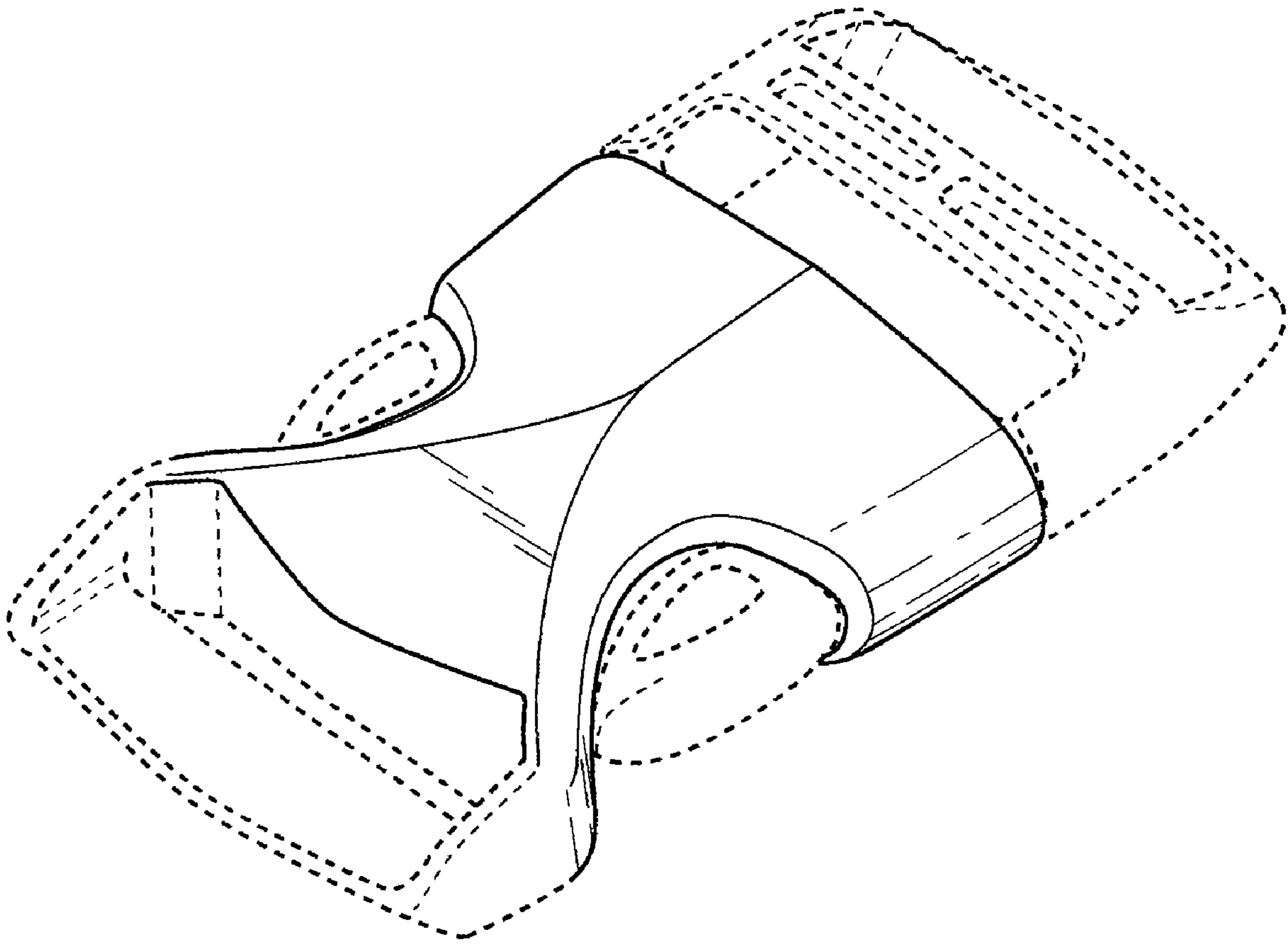


Fig. 1

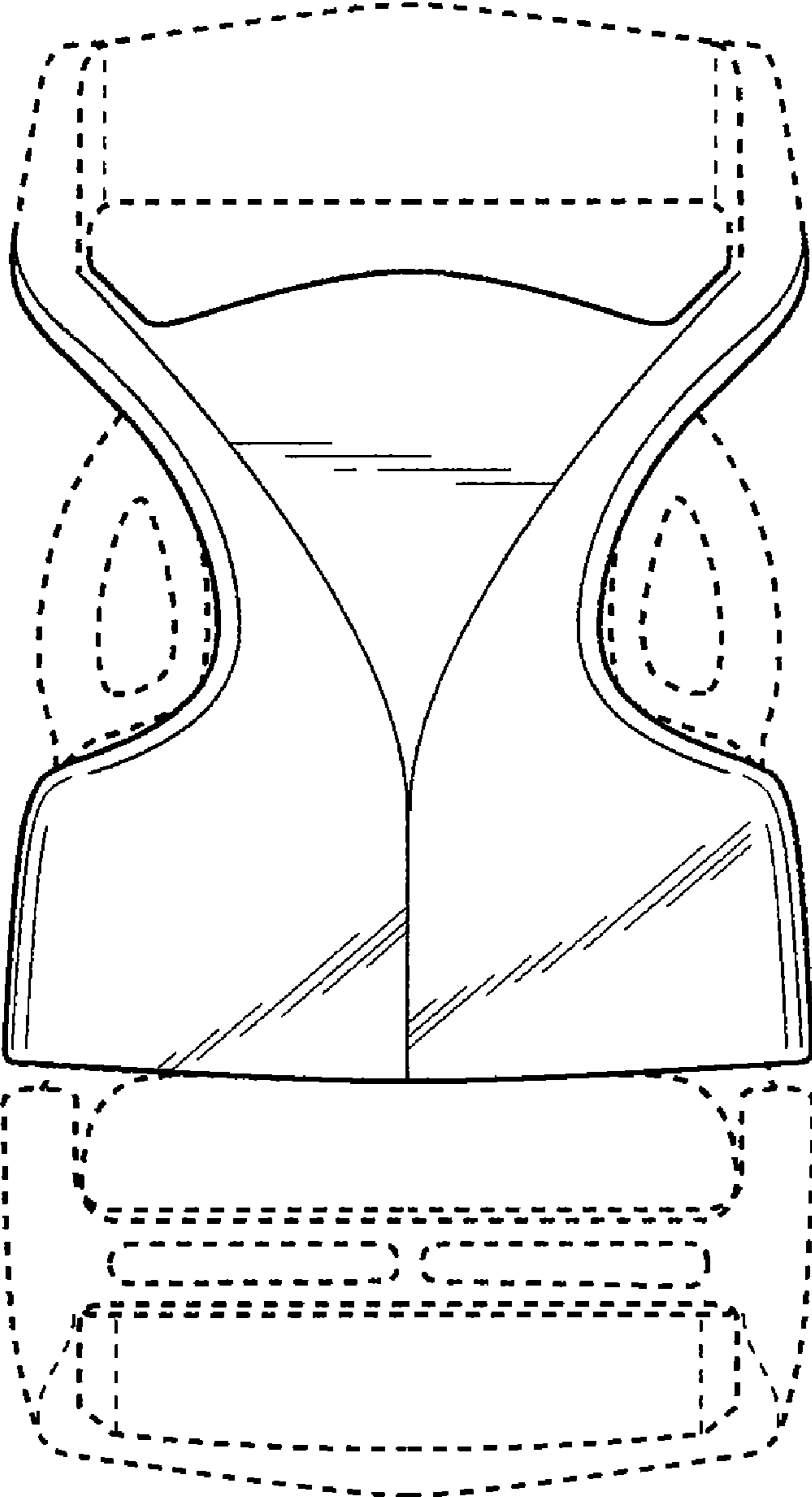


Fig. 2

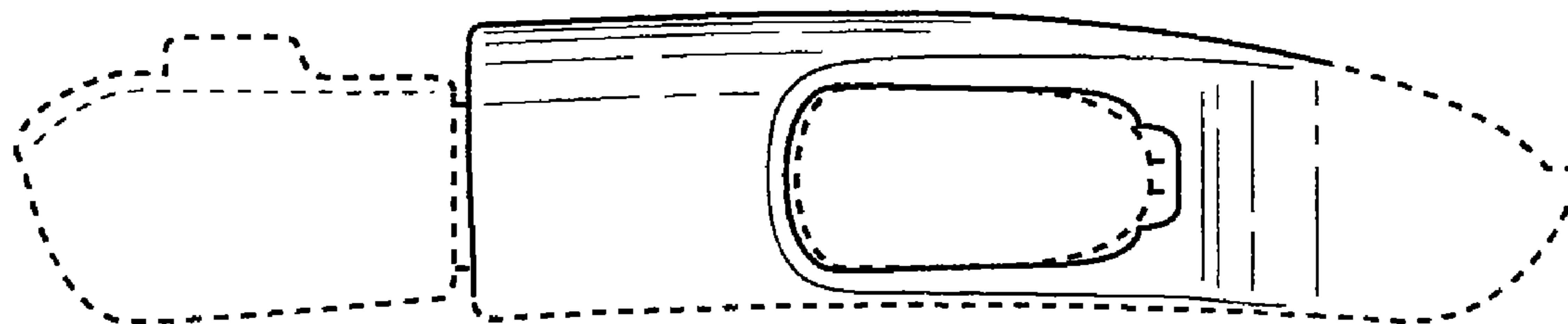


Fig. 3

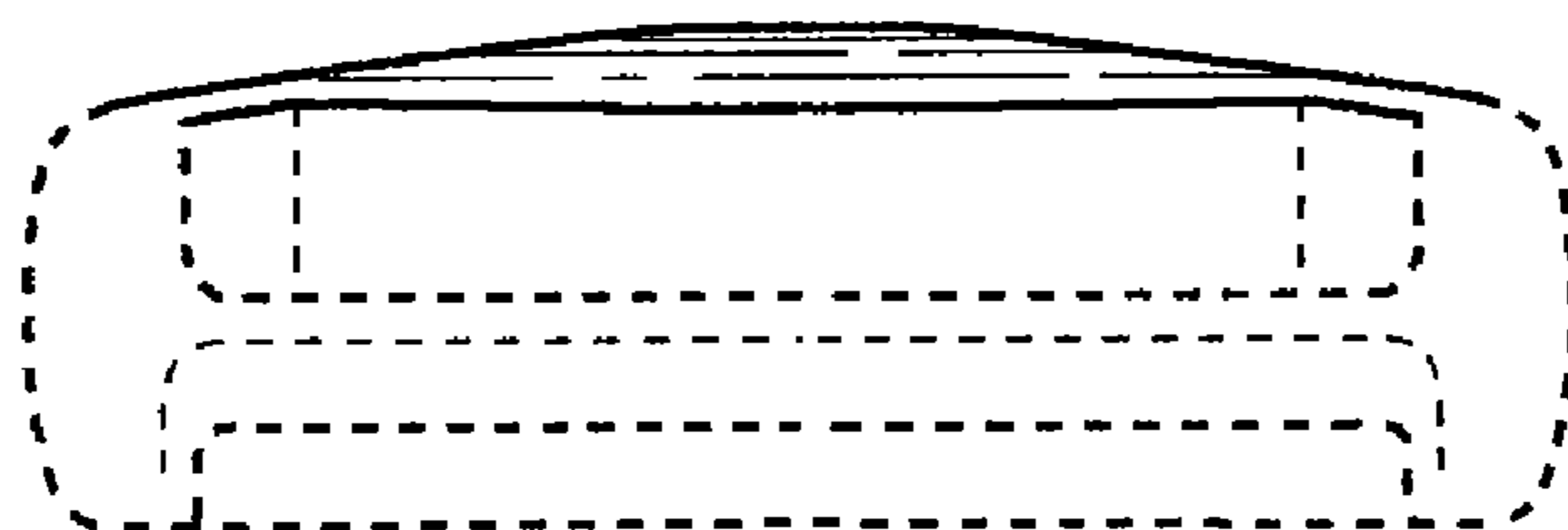


Fig. 4

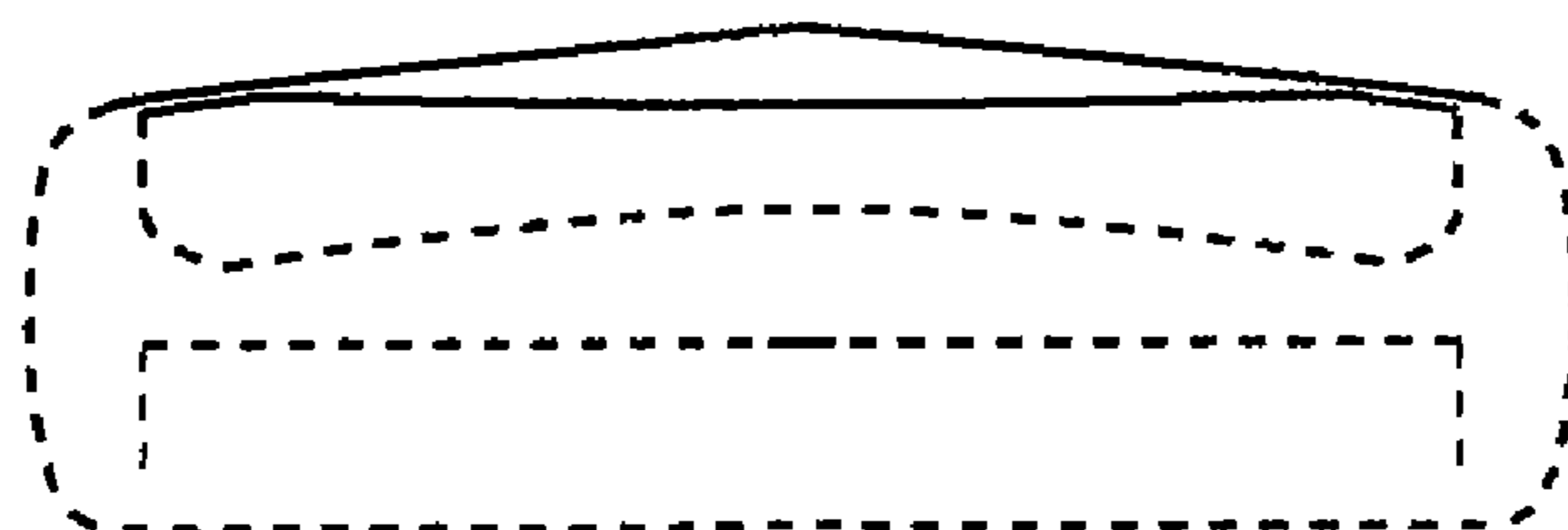


Fig. 5