



US00D615900S

(12) **United States Design Patent**  
**Chawla**

(10) **Patent No.:** **US D615,900 S**

(45) **Date of Patent:** **\*\* May 18, 2010**

(54) **RING**

(75) Inventor: **Ritika J. Chawla**, Mumbai (IN)

(73) Assignee: **Jewelex New York, Ltd.**, New York, NY (US)

(\*\*) Term: **14 Years**

(21) Appl. No.: **29/316,204**

(22) Filed: **Sep. 1, 2009**

(51) **LOC (9) Cl.** ..... **11-01**

(52) **U.S. Cl.** ..... **D11/34**

(58) **Field of Classification Search** ..... D11/26-39,  
D11/89-92; 63/15.1-15.4, 15.45, 15.5, 15.6,  
63/15.65, 15.7, 26-27

See application file for complete search history.

(56) **References Cited**

**U.S. PATENT DOCUMENTS**

D327,660 S	*	7/1992	Waugh	.....	D11/34
D421,404 S	*	3/2000	Canale	.....	D11/26
D512,658 S	*	12/2005	Aghjayan et al.	.....	D11/34
D584,184 S	*	1/2009	Dholakiya	.....	D11/91
D587,159 S	*	2/2009	Dholakiya	.....	D11/91
D604,657 S	*	11/2009	Marks	.....	D11/34

**OTHER PUBLICATIONS**

Ring. Accessed Dec. 16, 2009. <http://smartshopbuy.com/images/Jewelry/13-cttw-created-moissanite-3-stone-anniversar.jpg>\*

Ring. Accessed Dec. 16, 2009. [http://www.wheretogotengaged.com/public/users/8930/products/t5\\_1246286695.889\\_.jpg](http://www.wheretogotengaged.com/public/users/8930/products/t5_1246286695.889_.jpg)\*

\* cited by examiner

*Primary Examiner*—Cathron C Brooks

*Assistant Examiner*—Melanie Levy

(74) *Attorney, Agent, or Firm*—Thomas I. Rozsa

(57) **CLAIM**

The ornamental design for a ring, as shown and described.

**DESCRIPTION**

FIG. 1 is a perspective view of the ring showing my design;

FIG. 2 is a top plan view thereof;

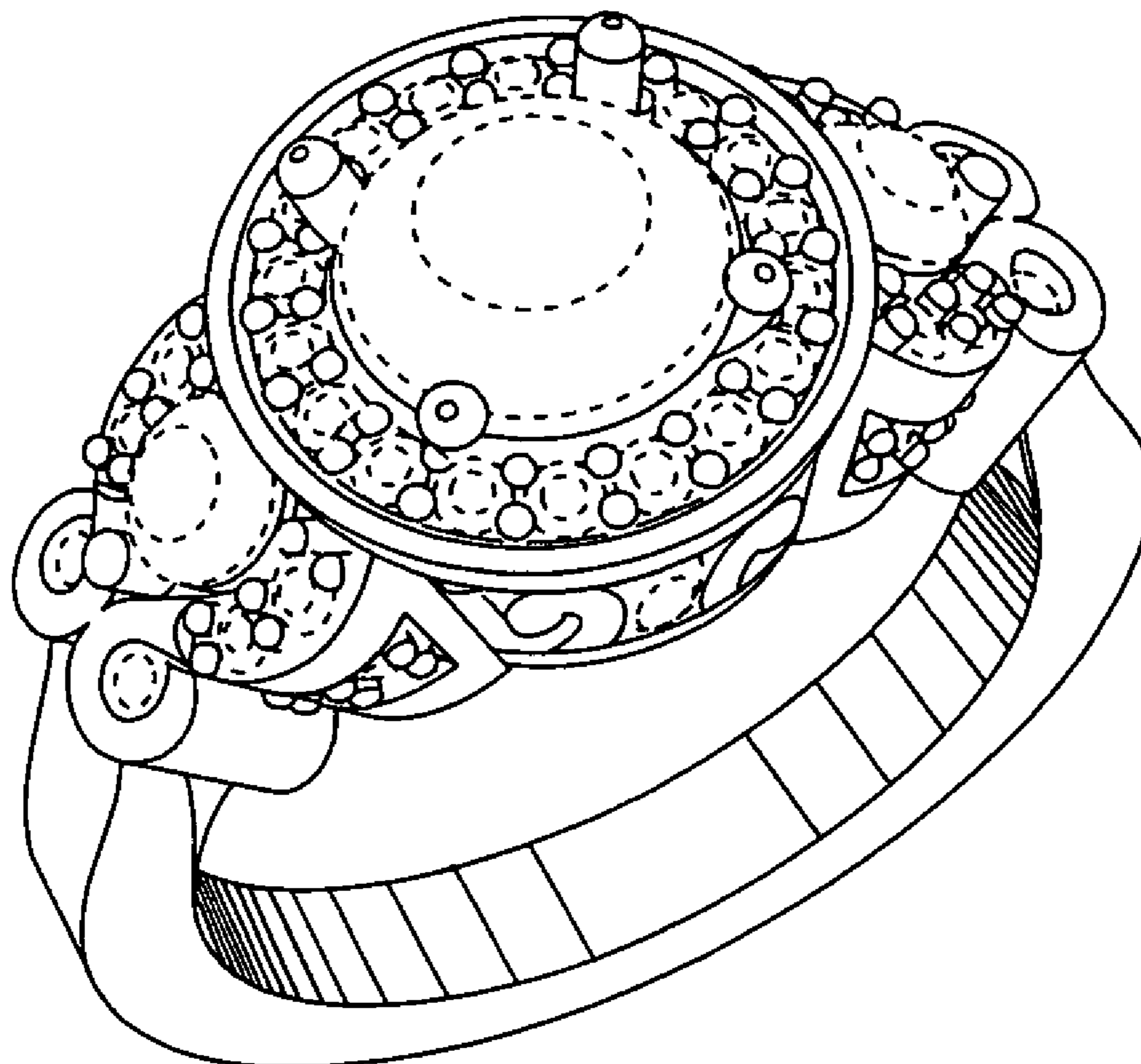
FIG. 3 is a bottom plan view thereof;

FIG. 4 is a front elevational view, the rear elevational view being a mirror image thereof; and,

FIG. 5 is a side elevational view thereof when viewed from the left side, the side elevational view from the right side being a mirror image thereof.

The stones within the setting of the ring are shown in broken lines and do not form any part of the claimed invention.

**1 Claim, 2 Drawing Sheets**



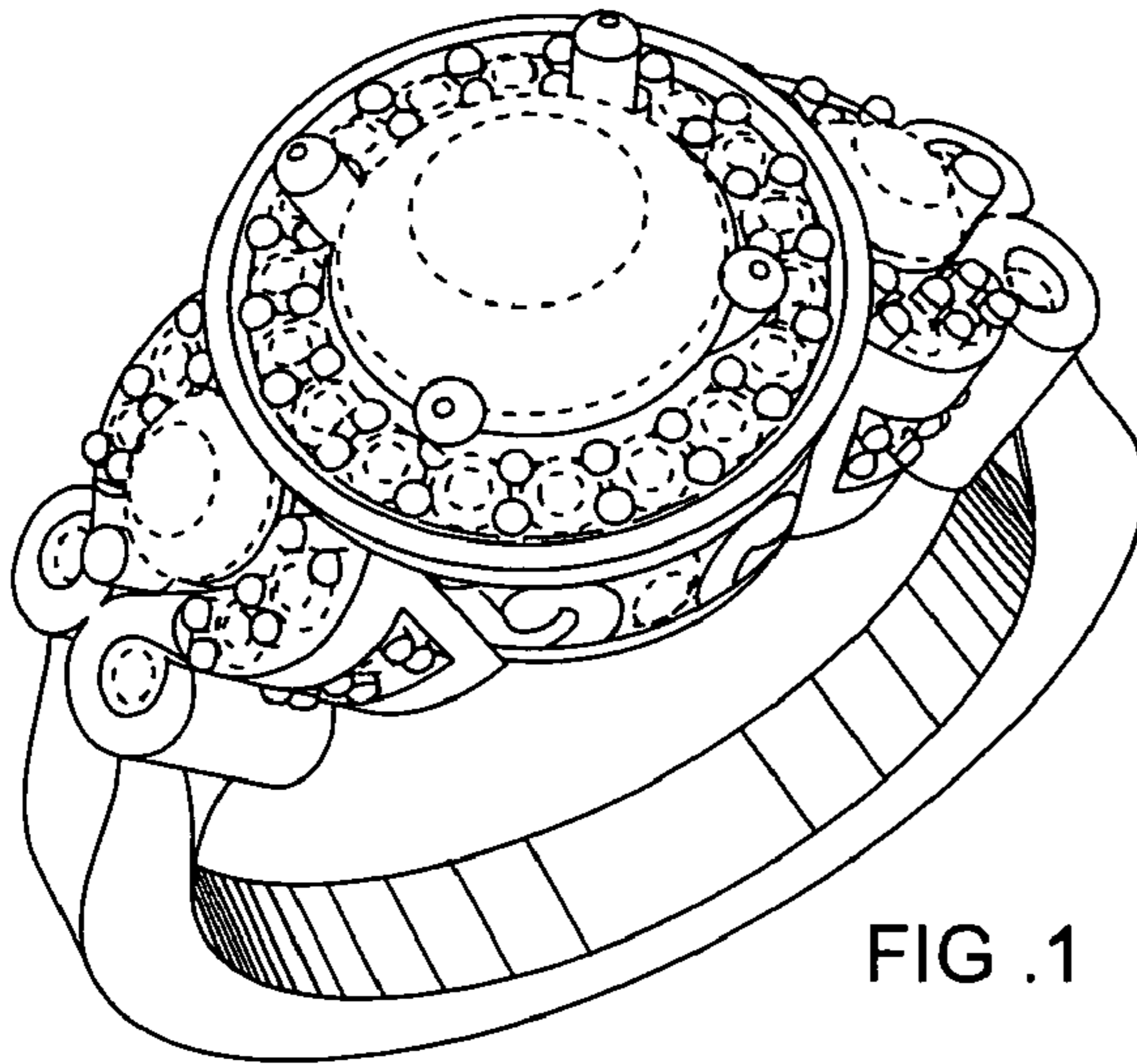


FIG .1

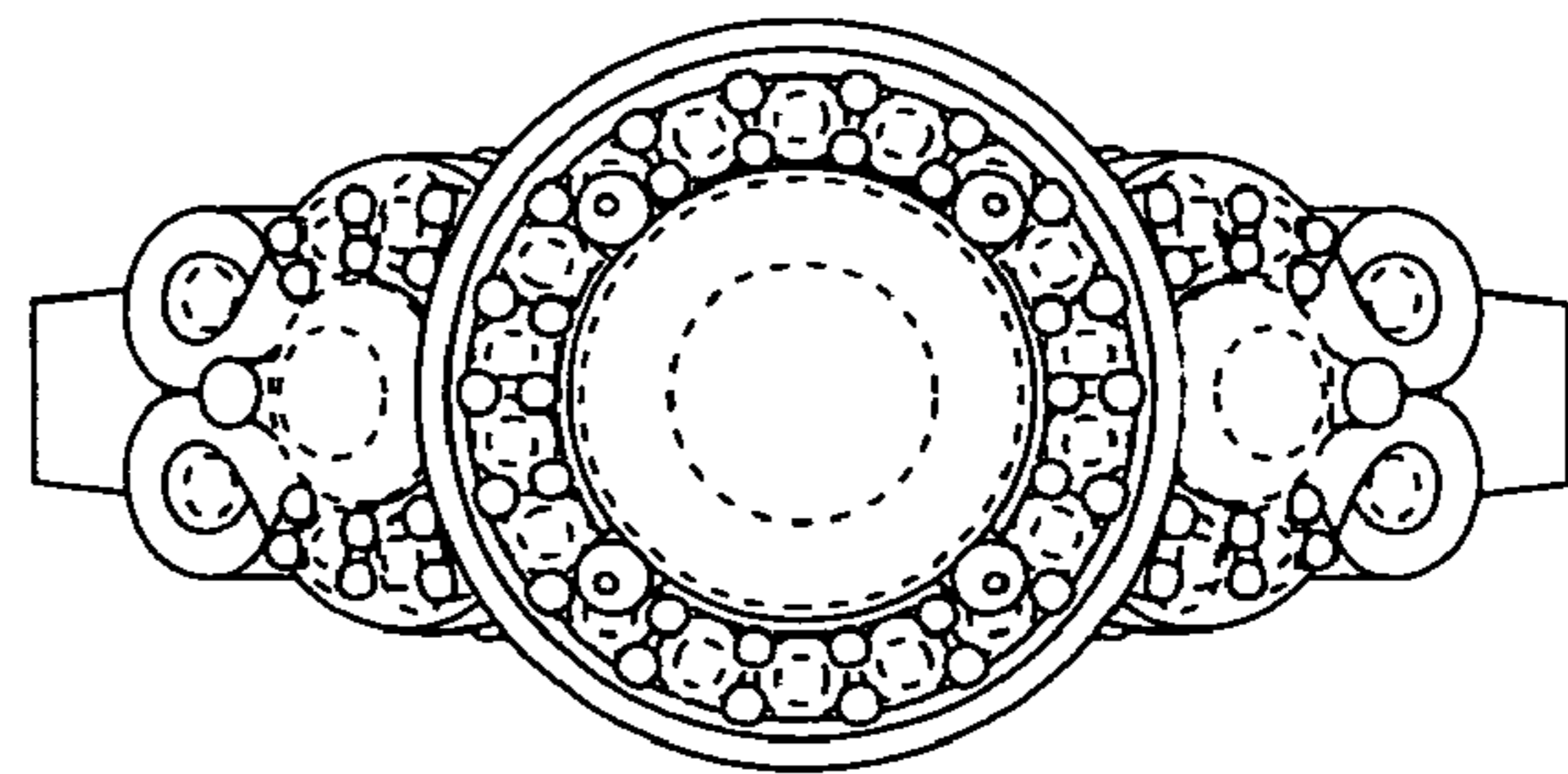


FIG .2

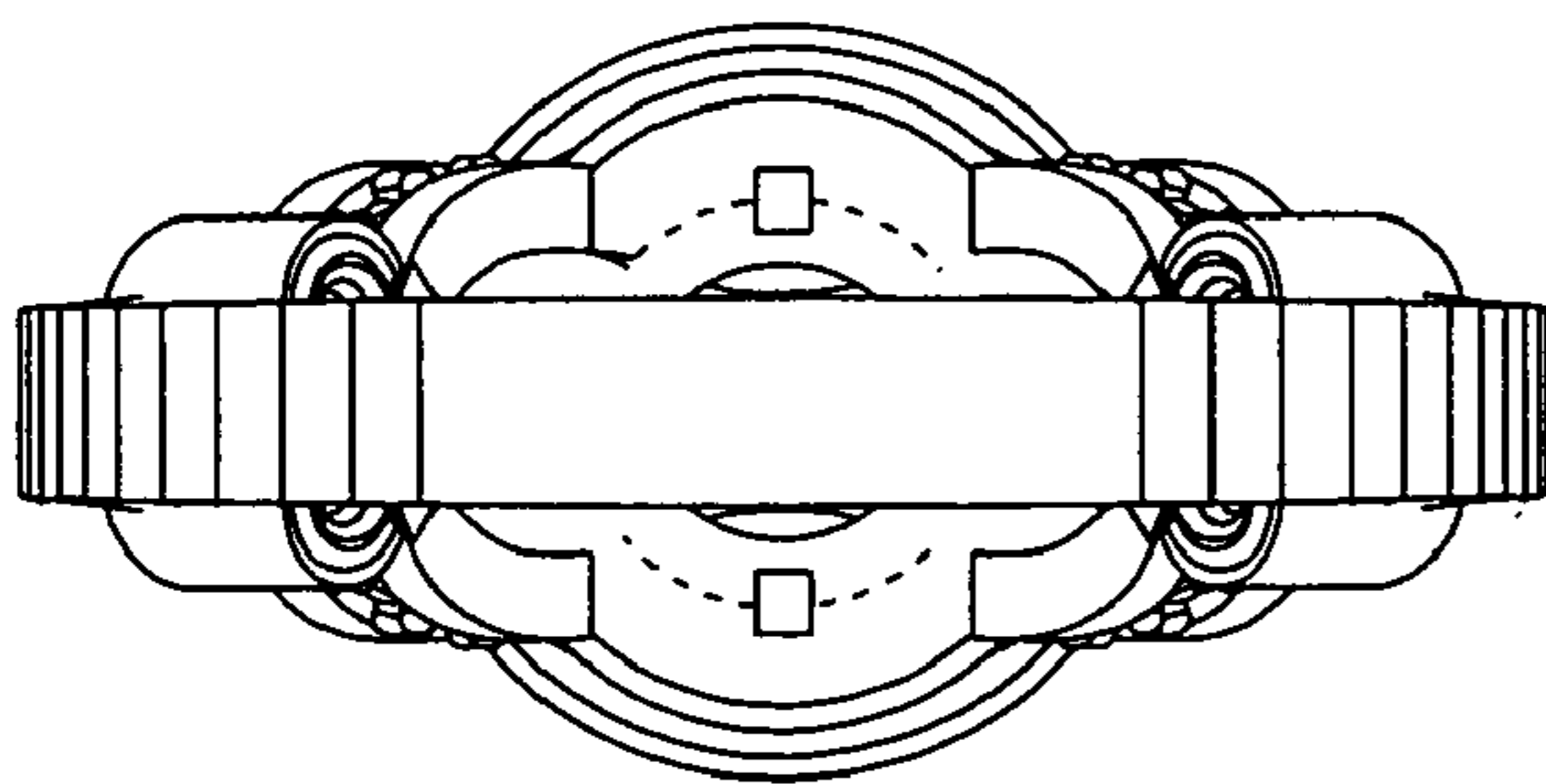


FIG .3

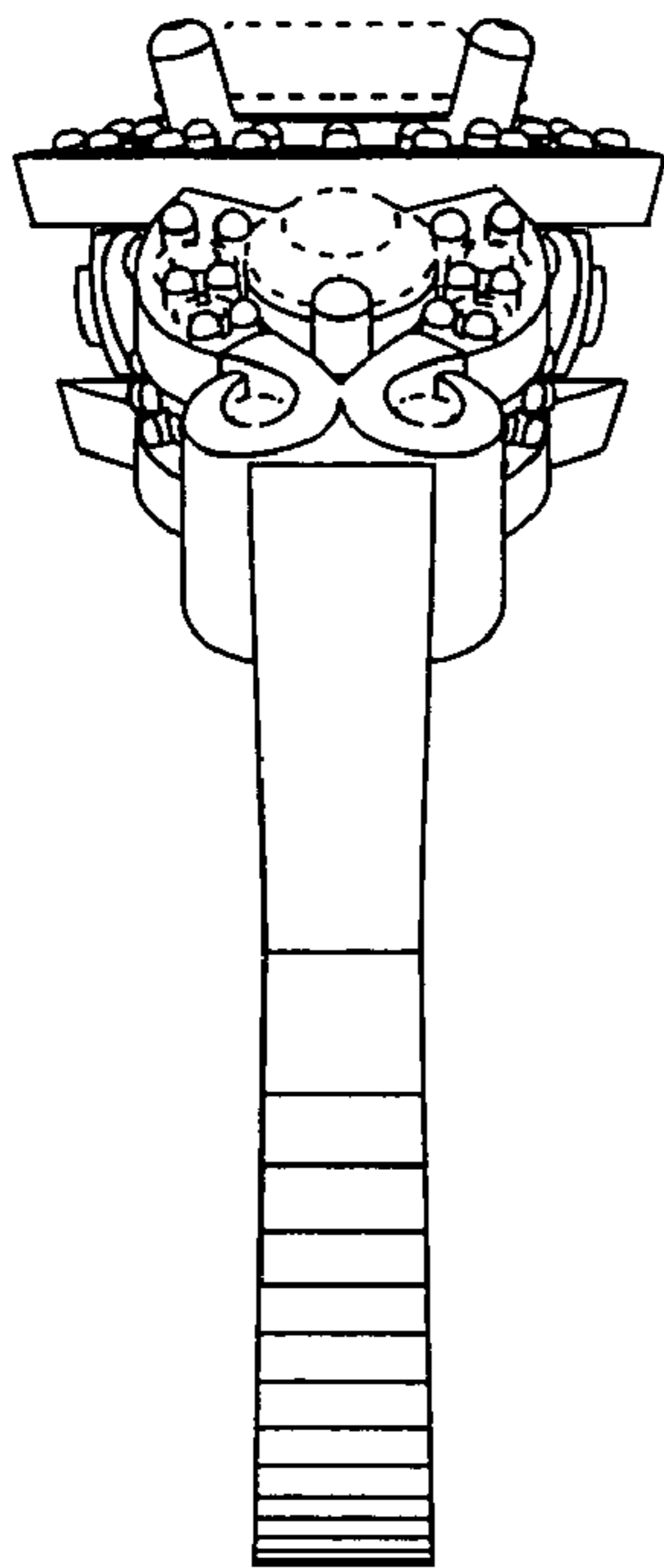


FIG . 5

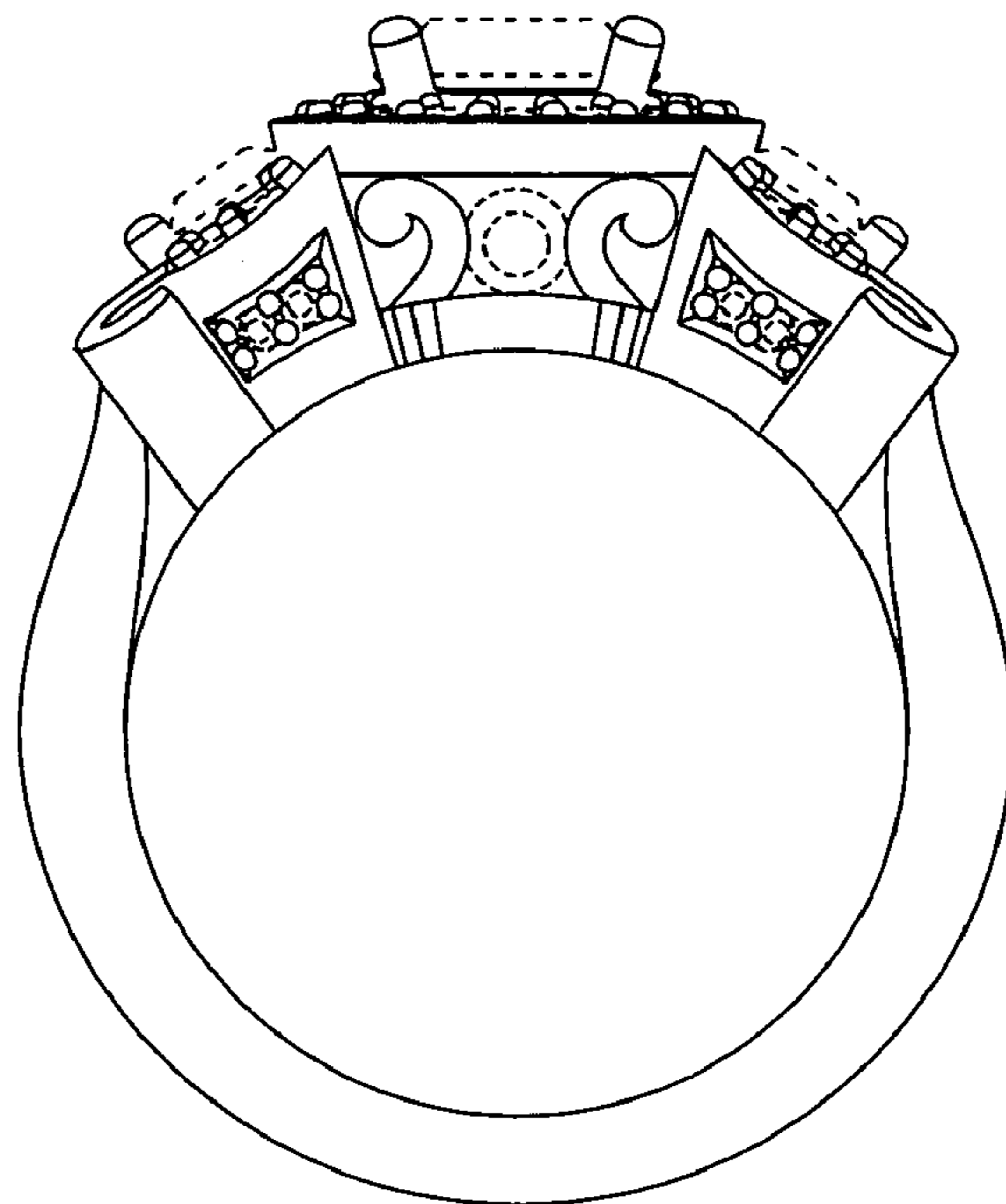


FIG . 4