



US00D615896S

(12) **United States Design Patent**
Rusanen et al.

(10) **Patent No.:** **US D615,896 S**

(45) **Date of Patent:** **** May 18, 2010**

(54) **ELEVATOR CALL PANEL AND DISPLAY**

(75) Inventors: **Niko Rusanen**, Helsinki (FI); **Timo Tiainen**, Vantaa (FI); **Maija Pursiainen**, Vantaa (FI); **Jussi Laurila**, Helsinki (FI); **Aapo Saari**, Espoo (FI); **Anne Stenros**, Helsinki (FI)

(73) Assignee: **Kone Corporation**, Helsinki (FI)

(**) Term: **14 Years**

(21) Appl. No.: **29/311,591**

(22) Filed: **Apr. 24, 2009**

(51) **LOC (9) Cl.** **10-05**

(52) **U.S. Cl.** **D10/108**

(58) **Field of Classification Search** D10/108;
D13/168; D14/489, 491, 218

See application file for complete search history.

(56) **References Cited**

U.S. PATENT DOCUMENTS

- D317,137 S * 5/1991 Kulikowski et al. D10/108
- 5,379,865 A * 1/1995 Berdich et al. 187/398
- D363,247 S * 10/1995 Raymond D10/108
- 6,681,899 B1 * 1/2004 Hong 187/391
- D583,778 S * 12/2008 Ohlert et al. D13/174

D587,215 S * 2/2009 Ohlert et al. D13/174

* cited by examiner

Primary Examiner—Caron Veynar

Assistant Examiner—George D Kirschbaum

(74) *Attorney, Agent, or Firm*—Birch, Stewart, Kolasch & Birch, LLP

(57) **CLAIM**

The ornamental design for an elevator call panel and display, as shown and described.

DESCRIPTION

FIG. 1 is a front, right, top perspective view of a twelfth embodiment of an elevator call panel and display showing my new design;

FIG. 2 is a front view thereof;

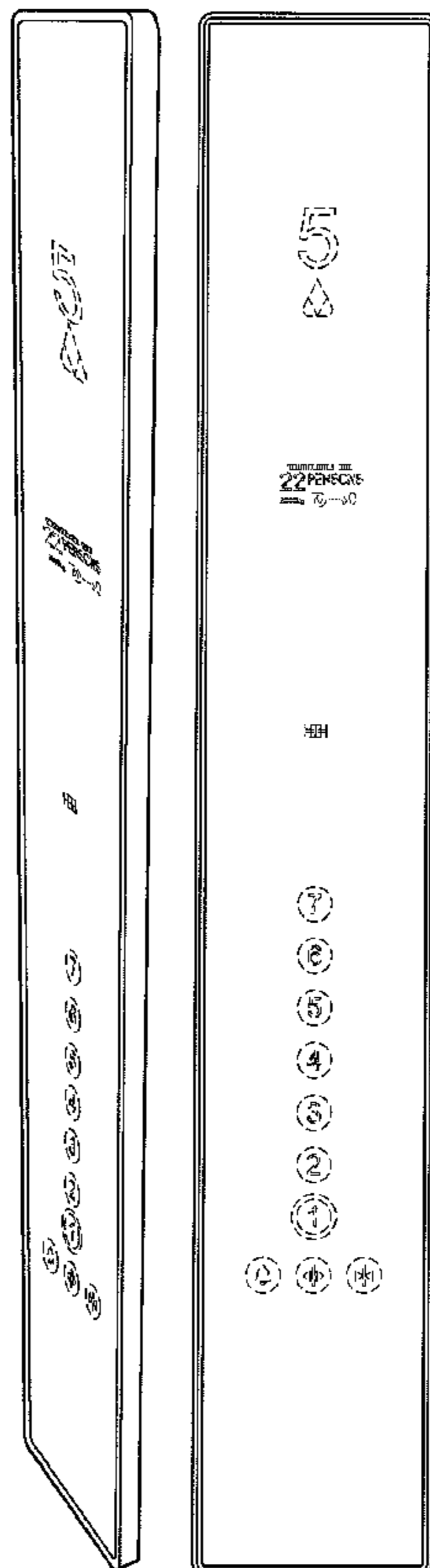
FIG. 3 is a detail of a top thereof; and,

FIG. 4 is a detail of a corner thereof.

The top view and the bottom view are mirror images of each other and the right side view and the left side view are mirror images of each other. The rear view is unornamented.

The portions of the drawings illustrated in broken lines are for environmental purposes only and form no part of the claimed design.

1 Claim, 3 Drawing Sheets



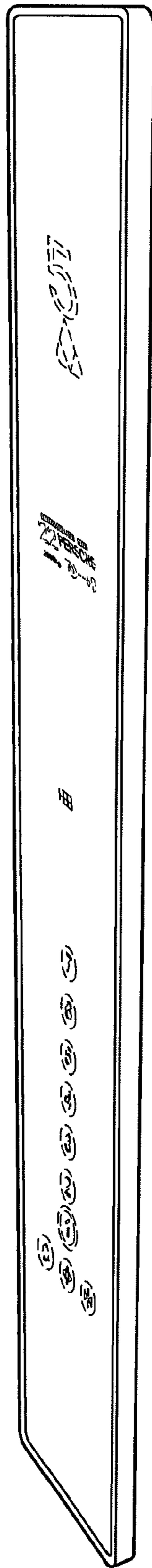


FIG.1

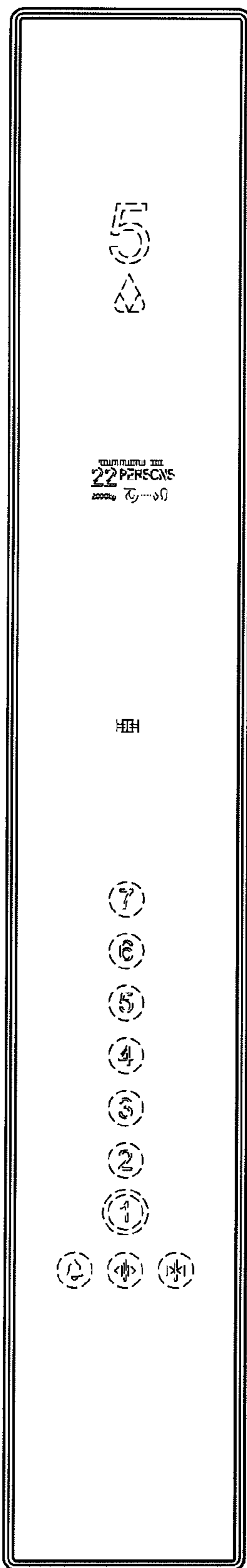


FIG.2

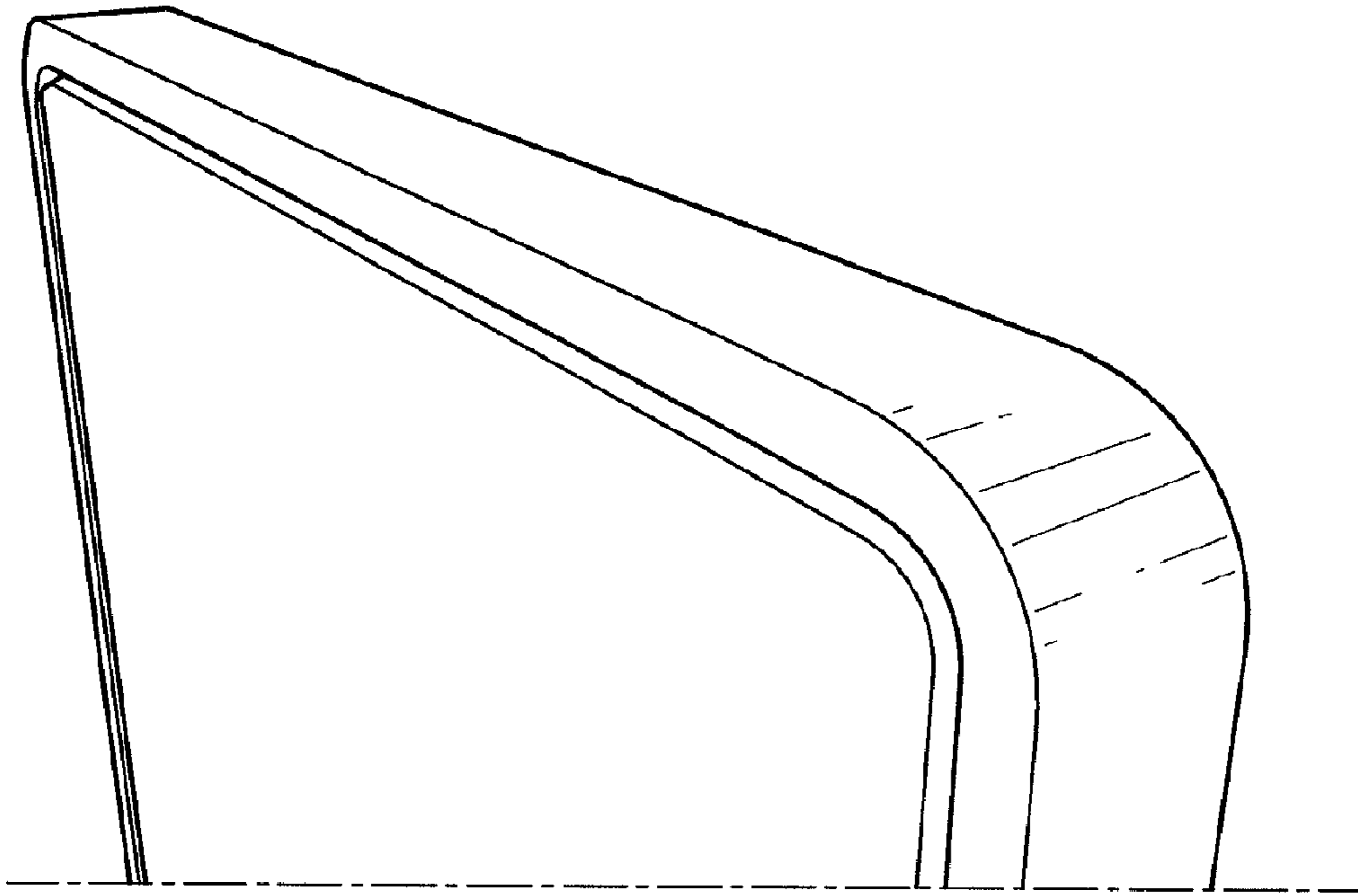


FIG. 3

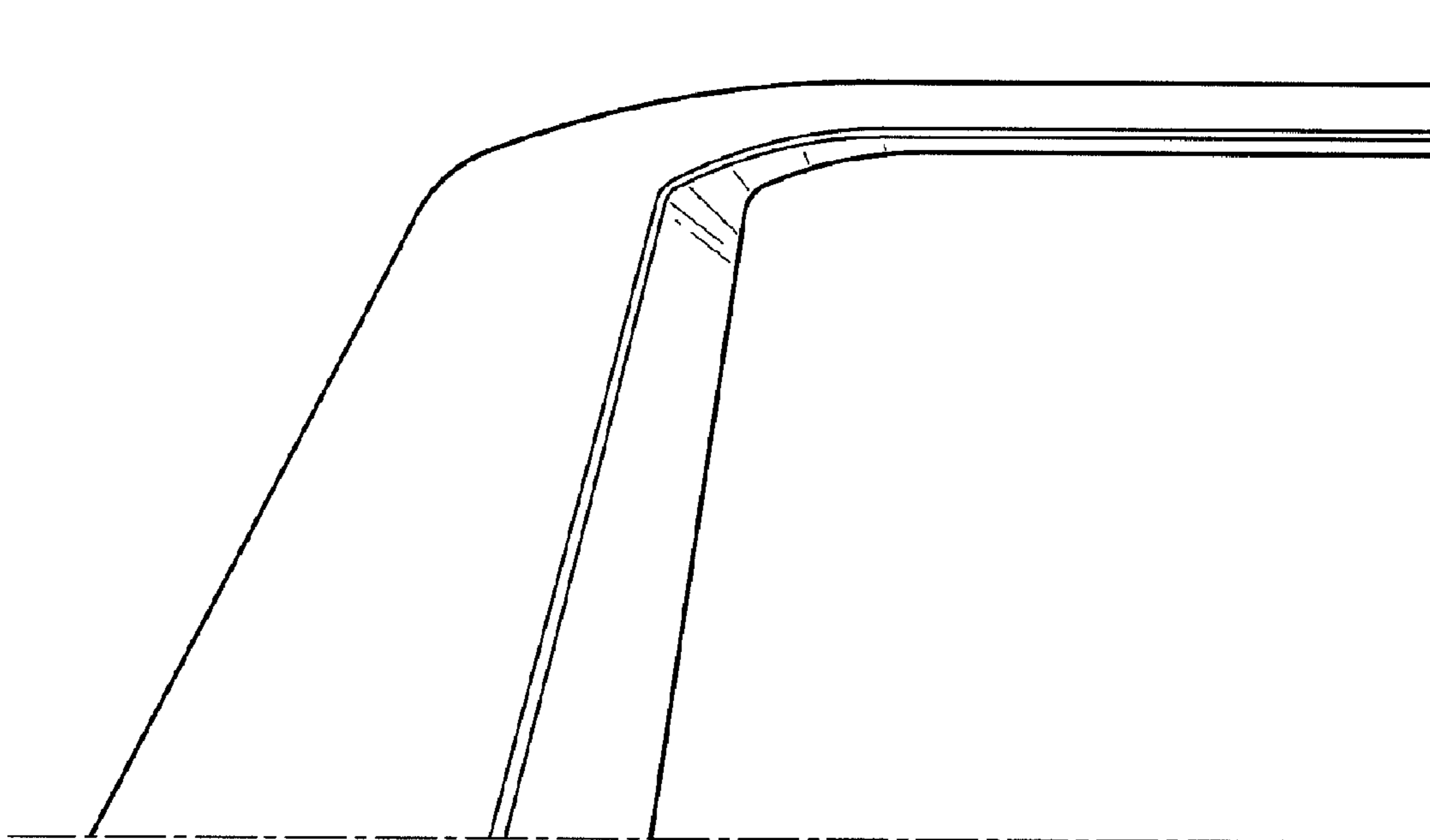


FIG. 4

UNITED STATES PATENT AND TRADEMARK OFFICE
CERTIFICATE OF CORRECTION

PATENT NO. : D615,896 S
APPLICATION NO. : 29/311591
DATED : May 18, 2010
INVENTOR(S) : Niko Rusanen et al.

Page 1 of 1

It is certified that error appears in the above-identified patent and that said Letters Patent is hereby corrected as shown below:

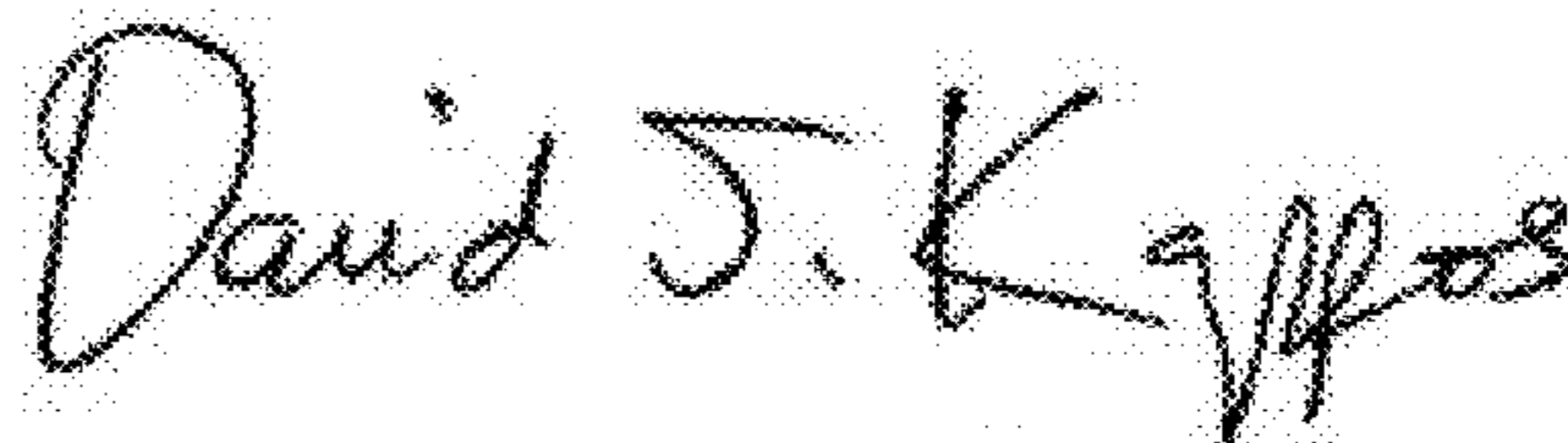
ON THE TITLE PAGE:

Insert the following as item (30):

-- (30) **Foreign Application Priority Data**

Oct. 24, 2008 (EM) 001027544 --.

Signed and Sealed this
Fifteenth Day of February, 2011



David J. Kappos
Director of the United States Patent and Trademark Office